

Description

The AP3012 is a high power, constant frequency, current mode PWM, inductor based, step-up (boost) converter. The converter operates at high frequency (1.5MHz) so that a small, low profile inductor can be used.

The AP3012 has built-in overvoltage protection (OVP) to allow the device goes into shutdown mode when the output voltage exceeds the OVP threshold of 29V.

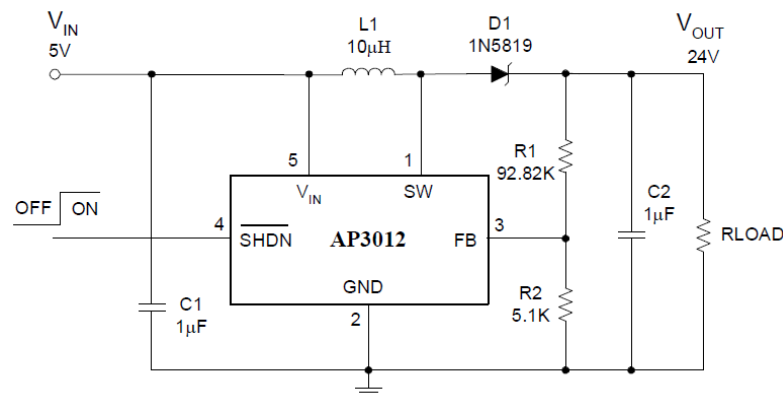
The AP3012 is available in standard SOT-23-5 package.

Features

- High Efficiency up to 81%
- Adjustable Output Voltage up to 29V
- Shutdown Current 1µA Typical
- 1.5MHz Switching Frequency
- 36V 500mA Rugged Integrated Bipolar Switch
- Built-in Soft-start to Reduce Inrush Current During Startup
- On-chip Overvoltage Protection
- Uses Low ESR Ceramic Output Capacitor
- Uses Small Inductor
- Available in "Green" Package: SOT-23-5
 - **Lead-Free Finish; RoHS Compliant (Notes 1 & 2)**
 - **Halogen and Antimony Free. "Green" Device (Note 3)**
- Lead-Free Package, Available in "Green" Molding Compound: SOT-23-5
 - **Totally Lead-Free & Fully RoHS Compliant (Notes 4 & 2)**
 - **Halogen and Antimony Free. "Green" Device (Note 3)**
- **For automotive applications requiring specific change control (i.e. parts qualified to AEC-Q100/101/104/200, PPAP capable, and manufactured in IATF 16949 certified facilities), please [contact us](#) or your local Diodes representative. <https://www.diodes.com/quality/product-definitions/>**

- Notes:
1. EU Directive 2002/95/EC (RoHS), 2011/65/EU (RoHS 2) & 2015/863/EU (RoHS 3) compliant. All applicable RoHS exemptions applied.
 2. See <https://www.diodes.com/quality/lead-free/> for more information about Diodes Incorporated's definitions of Halogen- and Antimony-free, "Green" and Lead-free.
 3. Halogen- and Antimony-free "Green" products are defined as those which contain <900ppm bromine, <900ppm chlorine (<1500ppm total Br + Cl) and <1000ppm antimony compounds.
 4. No purposely added lead. Fully EU Directive 2002/95/EC (RoHS), 2011/65/EU (RoHS 2) & 2015/863/EU (RoHS 3) compliant.

Typical Applications Circuit (Note 5)

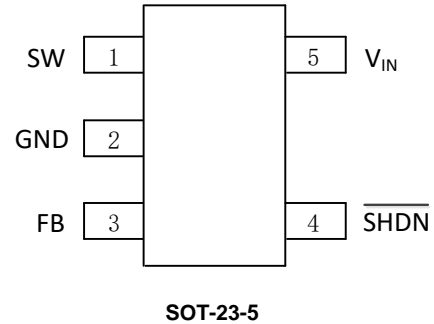


- Note 5: $V_{OUT} = 1.25 \cdot (1 + R1/R2) = 1.25 \cdot 19.2 = 24V$
 C: X5R or X7R Dielectric
 L: SUMIDA CDTH3D14/HPNP-100NC or Equivalent

LCD/OLED Display Bias Driver Typical Circuit

Pin Assignments

(Top View)



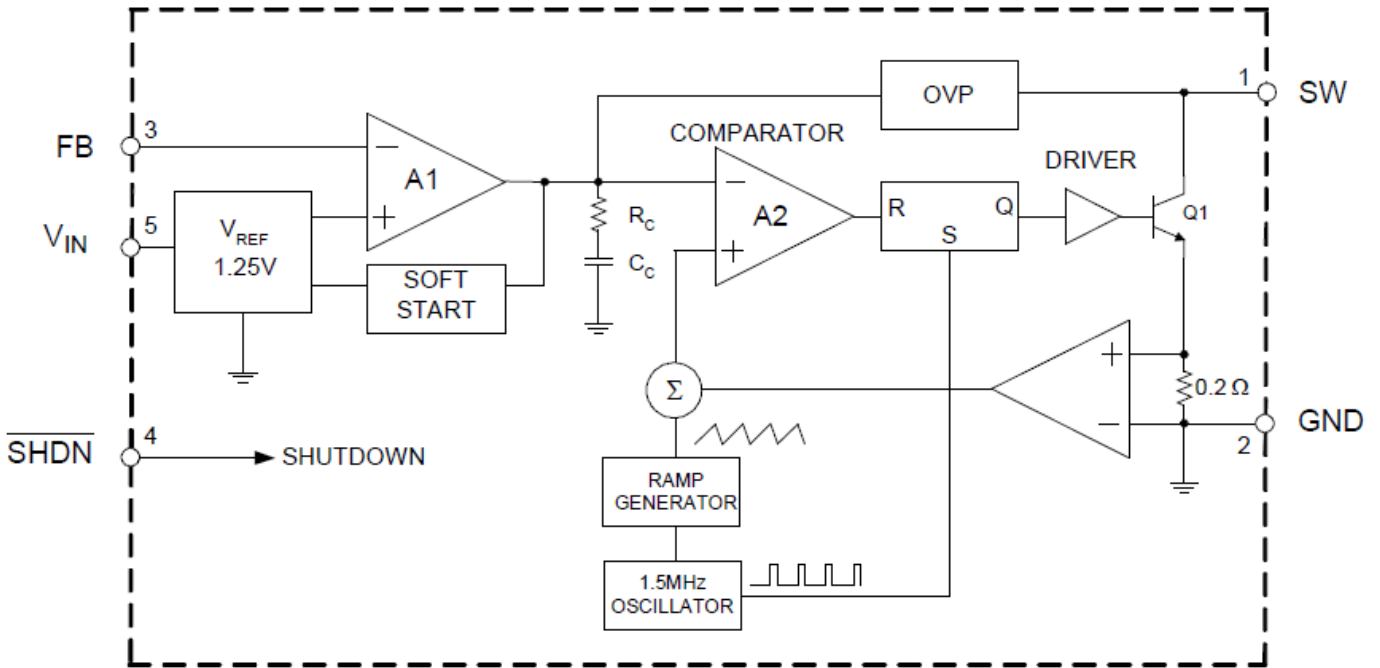
Applications

- LCD/OLED display bias supplies
- White LED drivers for LCD display backlights
- Cellular phones

Pin Descriptions

Pin Number	Pin Name	Function
1	SW	Switch Pin. Connect inductor/diode here. The output voltage can go up to 29V but should not exceed this limit. If the voltage on this pin is higher than the overvoltage protection (OVP) threshold, the device can go into shutdown mode. It can be restarted by a low to high pulse on the SHDN pin, or by a power on reset on the V _{IN} supply
2	GND	Ground Pin. Connect directly to local ground plane
3	FB	Feedback Pin. Internally compares to 1.25V. Connect R1 and R2 resistor divider here. Calculate the Output Voltage according to the formula: $V_{OUT} = 1.25V * (1+R1/R2)$
4	SHDN	Shutdown Pin. Connect to 1.5V or higher to enable device (ON), 0.4V or lower to disable device (OFF)
5	V _{IN}	Input Supply Pin. Must be locally bypassed

Functional Block Diagram



Absolute Maximum Ratings (Note 6)

Symbol	Parameter	Rating	Unit
V_{IN}	Input Voltage	20	V
—	SW Voltage	38	V
—	FB Voltage	5	V
—	\overline{SHDN} Voltage	16	V
θ_{JA}	Thermal Resistance (Junction to Ambient, no Heat Sink)	265	°C/W
—	Operating Junction Temperature	+150	°C
T_{STG}	Storage Temperature Range	-65 to +150	°C
T_{LEAD}	Lead Temperature (Soldering, 10sec)	+260	°C
—	ESD (Machine Model)	250	V
—	ESD (Human Body Model)	2000	V

Note: 6. Stresses greater than those listed under *Absolute Maximum Ratings* can cause permanent damage to the device. These are stress ratings only, and functional operation of the device at these or any other conditions beyond those indicated under *Recommended Operating Conditions* is not implied. Exposure to *Absolute Maximum Ratings* for extended periods can affect device reliability.

Recommended Operating Conditions

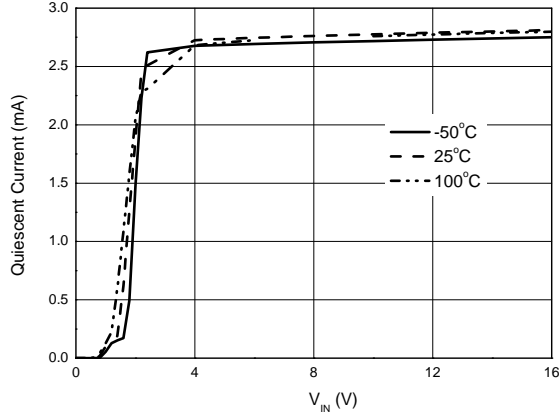
Symbol	Parameter	Min	Max	Unit
V_{IN}	Input Voltage	2.6	16	V
T_{OP}	Operating Temperature	-40	+85	°C

Electrical Characteristics (@ $V_{IN} = 3V$, $\overline{V_{SHDN}} = 3V$, $T_A = +25^\circ C$, unless otherwise specified.)

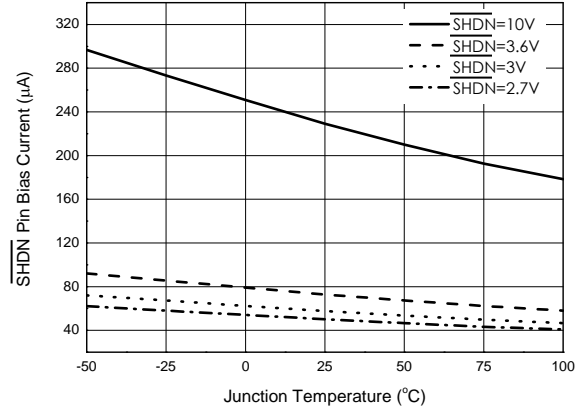
Symbol	Parameters	Conditions	Min	Typ	Max	Unit
—	Minimum Operating Voltage	—	2.6	—	—	V
—	Maximum Operating Voltage	—	—	—	16	V
V_{FB}	Feedback Voltage	$V_{IN} = 5V$, $V_{OUT} = 24V$, $I_{OUT} = 30mA$	1.17	1.25	1.33	V
—	FB Pin Bias Current	$V_{FB} = 1.25V$	10	45	100	nA
I_{CC}	Supply Current	$\overline{V_{SHDN}} = V_{FB} = V_{IN}$, No switching	—	2.5	3.5	mA
I_Q	Supply Current	$\overline{V_{SHDN}} = 0V$, $V_{FB} = 0V$	—	0.1	1.0	μA
f	Switching Frequency	—	1.1	1.5	1.9	MHz
D_{MAX}	Maximum Duty Cycle	—	85	90	—	%
—	Switching Current Limit	Duty Cycle = 80%	—	500	—	mA
V_{CESAT}	Switch VCESAT	$I_{SW} = 250mA$	—	300	—	mV
—	Switch Leakage Current	$V_{SW} = 5V$	—	0.01	5	μA
V_{TH}	\overline{SHDN} Voltage High (ON)	—	1.5	—	—	V
V_{TL}	\overline{SHDN} Voltage Low (OFF)	—	—	—	0.4	
—	\overline{SHDN} Pin Bias Current	—	—	55	—	μA
V_{OVP}	OVP Voltage Threshold	—	—	29	—	V
—	Soft-Start Time	—	—	550	—	μs
θ_{JC}	Thermal Resistance (Junction to Case)	—	—	69.57	—	$^\circ C/W$

Performance Characteristics

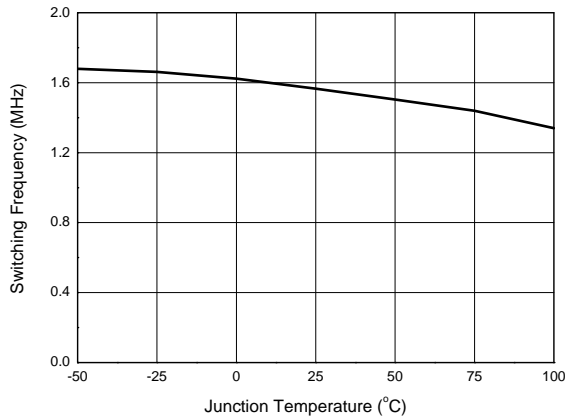
Quiescent Current vs. Input Voltage



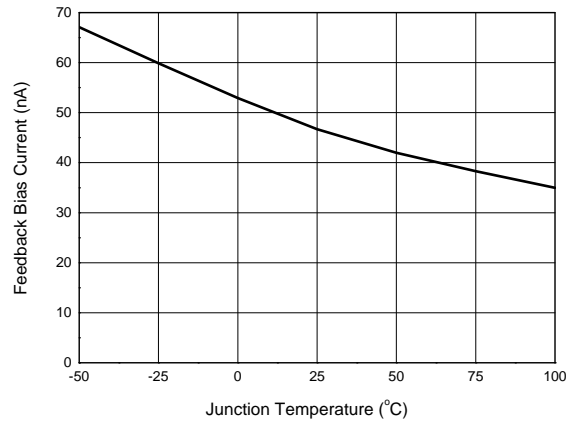
SHDN Pin Bias Current vs. Junction Temperature



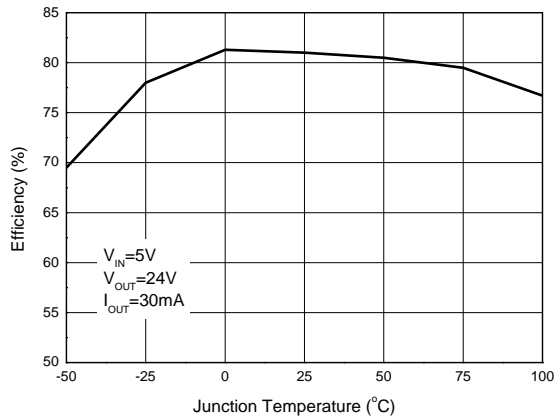
Switching Frequency vs. Junction Temperature



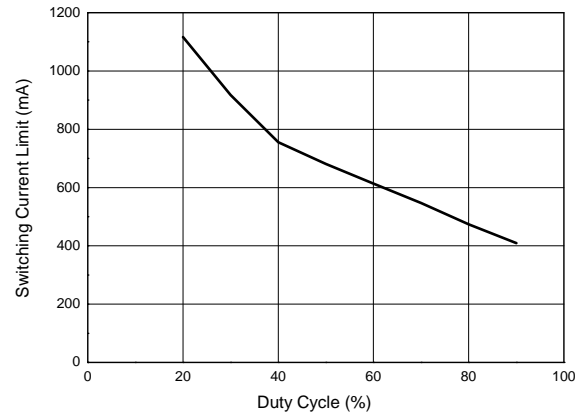
Feedback Bias Current vs. Junction Temperature



Efficiency vs. Junction Temperature

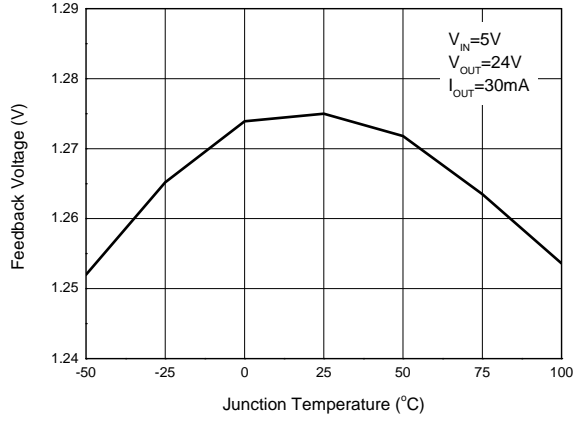


Switching Current Limit vs. Duty Cycle

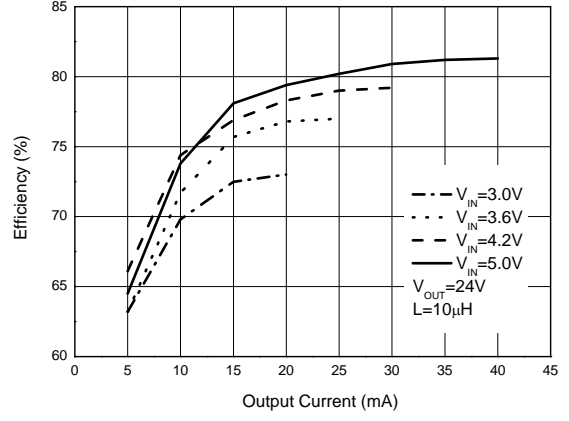


Performance Characteristics (continued)

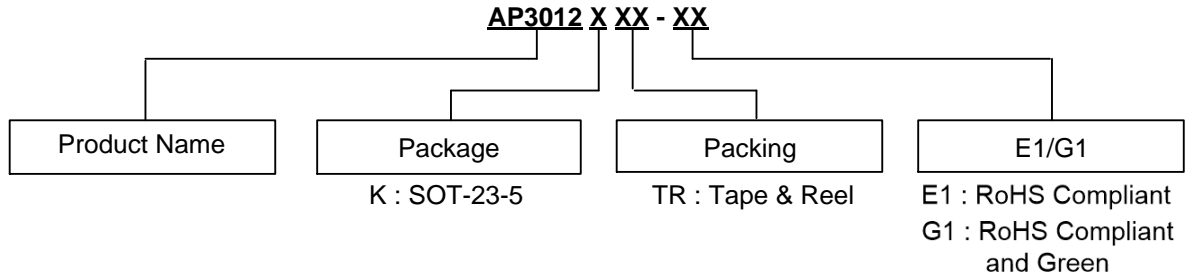
Feedback Voltage vs. Junction Temperature



Efficiency vs. Output Current



Ordering Information



Part Number		Marking ID		Package	Temperature Range	Packing	
RoHS Compliant	RoHS Compliant and Green	RoHS Compliant	RoHS Compliant and Green			Qty.	Carrier
AP3012KTR-E1	AP3012KTR-G1	E6B	G6B	SOT-23-5	-40 to +85°C	3000pcs	Tape & Reel

Marking Information



: Logo
 E6B: Marking ID

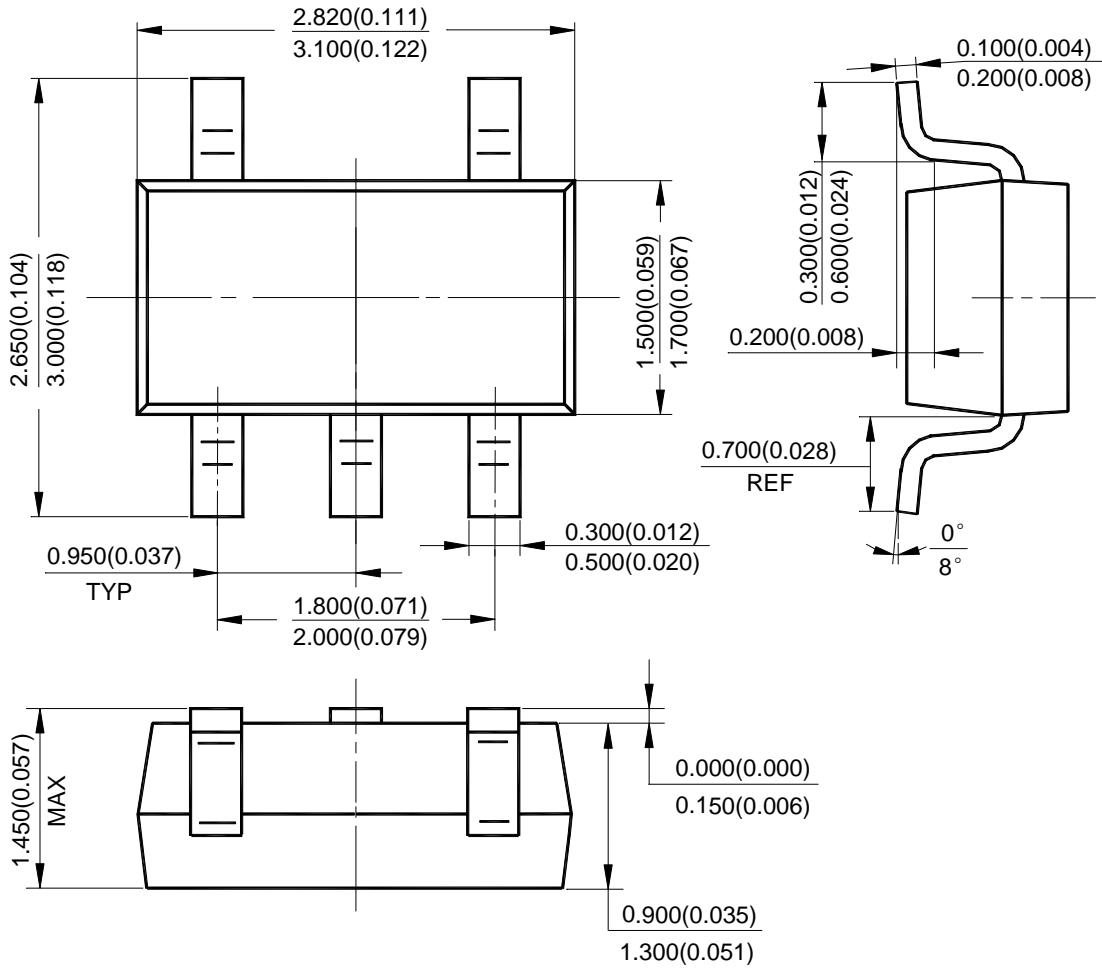


: Logo
 G6B: Marking ID

Package Outline Dimensions (All dimensions in mm(inch).)

Please see <http://www.diodes.com/package-outlines.html> for the latest version.

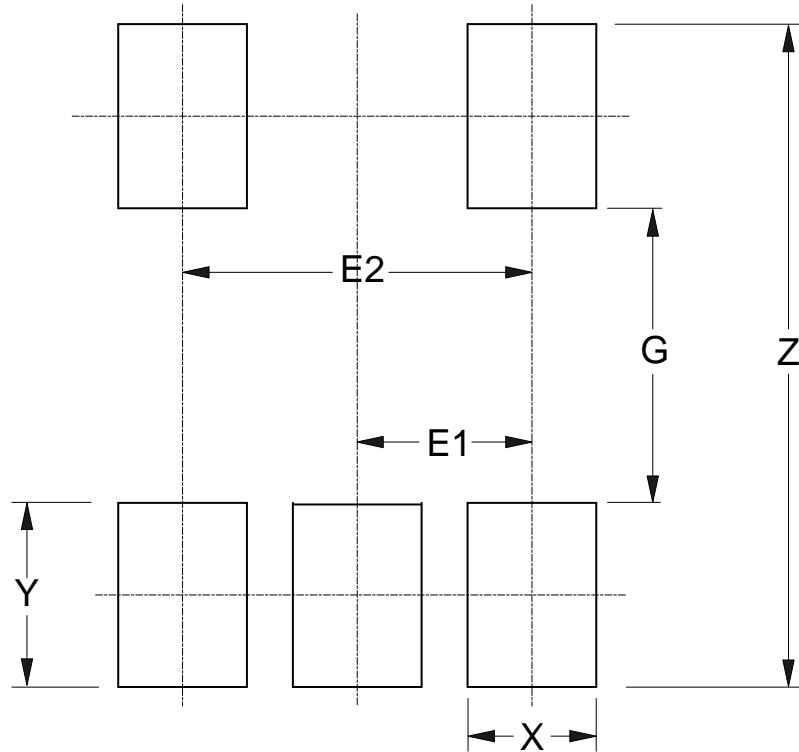
(1) Package Type: SOT-23-5



Suggested Pad Layout

Please see <http://www.diodes.com/package-outlines.html> for the latest version.

(1) Package Type: SOT-23-5



Dimensions	Z (mm)/(inch)	G (mm)/(inch)	X (mm)/(inch)	Y (mm)/(inch)	E1 (mm)/(inch)	E2 (mm)/(inch)
Value	3.600/0.142	1.600/0.063	0.700/0.028	1.000/0.039	0.950/0.037	1.900/0.075

Mechanical Data

- Moisture Sensitivity: Level 1 per J-STD-020
- Terminals: Finish – Matte Tin Plated Leads, Solderable per MIL-STD-202, Method 208 (e3)
- Weight: 0.016 grams (Approximate)

IMPORTANT NOTICE

1. DIODES INCORPORATED (Diodes) AND ITS SUBSIDIARIES MAKE NO WARRANTY OF ANY KIND, EXPRESS OR IMPLIED, WITH REGARDS TO ANY INFORMATION CONTAINED IN THIS DOCUMENT, INCLUDING, BUT NOT LIMITED TO, THE IMPLIED WARRANTIES OF MERCHANTABILITY, FITNESS FOR A PARTICULAR PURPOSE OR NON-INFRINGEMENT OF THIRD PARTY INTELLECTUAL PROPERTY RIGHTS (AND THEIR EQUIVALENTS UNDER THE LAWS OF ANY JURISDICTION).
2. The Information contained herein is for informational purpose only and is provided only to illustrate the operation of Diodes' products described herein and application examples. Diodes does not assume any liability arising out of the application or use of this document or any product described herein. This document is intended for skilled and technically trained engineering customers and users who design with Diodes' products. Diodes' products may be used to facilitate safety-related applications; however, in all instances customers and users are responsible for (a) selecting the appropriate Diodes products for their applications, (b) evaluating the suitability of Diodes' products for their intended applications, (c) ensuring their applications, which incorporate Diodes' products, comply the applicable legal and regulatory requirements as well as safety and functional-safety related standards, and (d) ensuring they design with appropriate safeguards (including testing, validation, quality control techniques, redundancy, malfunction prevention, and appropriate treatment for aging degradation) to minimize the risks associated with their applications.
3. Diodes assumes no liability for any application-related information, support, assistance or feedback that may be provided by Diodes from time to time. Any customer or user of this document or products described herein will assume all risks and liabilities associated with such use, and will hold Diodes and all companies whose products are represented herein or on Diodes' websites, harmless against all damages and liabilities.
4. Products described herein may be covered by one or more United States, international or foreign patents and pending patent applications. Product names and markings noted herein may also be covered by one or more United States, international or foreign trademarks and trademark applications. Diodes does not convey any license under any of its intellectual property rights or the rights of any third parties (including third parties whose products and services may be described in this document or on Diodes' website) under this document.
5. Diodes' products are provided subject to Diodes' Standard Terms and Conditions of Sale (<https://www.diodes.com/about/company/terms-and-conditions/terms-and-conditions-of-sales/>) or other applicable terms. This document does not alter or expand the applicable warranties provided by Diodes. Diodes does not warrant or accept any liability whatsoever in respect of any products purchased through unauthorized sales channel.
6. Diodes' products and technology may not be used for or incorporated into any products or systems whose manufacture, use or sale is prohibited under any applicable laws and regulations. Should customers or users use Diodes' products in contravention of any applicable laws or regulations, or for any unintended or unauthorized application, customers and users will (a) be solely responsible for any damages, losses or penalties arising in connection therewith or as a result thereof, and (b) indemnify and hold Diodes and its representatives and agents harmless against any and all claims, damages, expenses, and attorney fees arising out of, directly or indirectly, any claim relating to any noncompliance with the applicable laws and regulations, as well as any unintended or unauthorized application.
7. While efforts have been made to ensure the information contained in this document is accurate, complete and current, it may contain technical inaccuracies, omissions and typographical errors. Diodes does not warrant that information contained in this document is error-free and Diodes is under no obligation to update or otherwise correct this information. Notwithstanding the foregoing, Diodes reserves the right to make modifications, enhancements, improvements, corrections or other changes without further notice to this document and any product described herein. This document is written in English but may be translated into multiple languages for reference. Only the English version of this document is the final and determinative format released by Diodes.
8. Any unauthorized copying, modification, distribution, transmission, display or other use of this document (or any portion hereof) is prohibited. Diodes assumes no responsibility for any losses incurred by the customers or users or any third parties arising from any such unauthorized use.
9. This Notice may be periodically updated with the most recent version available at <https://www.diodes.com/about/company/terms-and-conditions/important-notice>

The Diodes logo is a registered trademark of Diodes Incorporated in the United States and other countries.
All other trademarks are the property of their respective owners.
© 2024 Diodes Incorporated. All Rights Reserved.

www.diodes.com

Looking for pricing, stock, or lifecycle information?

Click below to explore more details on WIN SOURCE:

-  [View AP3012KTR-G1 on WIN SOURCE](#)
-  [Diodes Incorporated Information](#)

Optimize Your Supply Chain with WIN SOURCE Solutions

-  Global Sourcing Solution
-  Obsolete Management
-  Cost Control Management
-  Shortage Management
-  Alternative Solution
-  Excess Inventory Management