



**THE DATASHEET OF  
AP7313-33SRG-7**



---

**Features**

---

- 150mA Low Dropout Regulator in 3-pin package
- Very low  $I_Q$  over full load: 65 $\mu$ A
- Wide input voltage range: 2V to 6V
- Fixed output options: 1.0V to 3.3V
- PSRR: 65dB at 100Hz
- Fast start-up time: 80 $\mu$ s
- Stable with low ESR, 1 $\mu$ F ceramic output capacitor
- Excellent Load/Line Transient Response
- Low dropout: 150mV typical at 150mA
- Current limit protection
- Short circuit protection
- Thermal shutdown protection
- Ambient temperature range: -40°C to 85°C
- SOT23 and SOT23R: Available in "Green" Molding Compound (No Br, Sb)
- Lead Free Finish/RoHS Compliant (Note 1)

---

**Description**

---

The AP7313 is a 150mA, fixed output voltage, low dropout linear regulator. The device included pass element, error amplifier, band-gap, current limit and thermal shutdown circuitry.

The characteristics of low dropout voltage and low quiescent current make it suitable for low power applications, for example, battery powered devices. The typical quiescent current is approximately 65 $\mu$ A.

Built-in current-limit and thermal-shutdown functions prevent IC from damage in fault conditions.

The AP7313 is available in SOT23 package with different pin-outs.

---

**Applications**

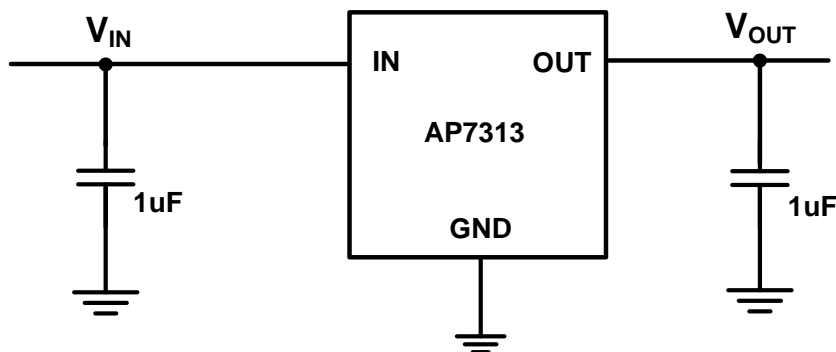
---

- Notebook and Desktop Computers and Pheripherals
- Portable Devices
- Battery Powered Devices
- CD-ROM, DVD and LAN Cards

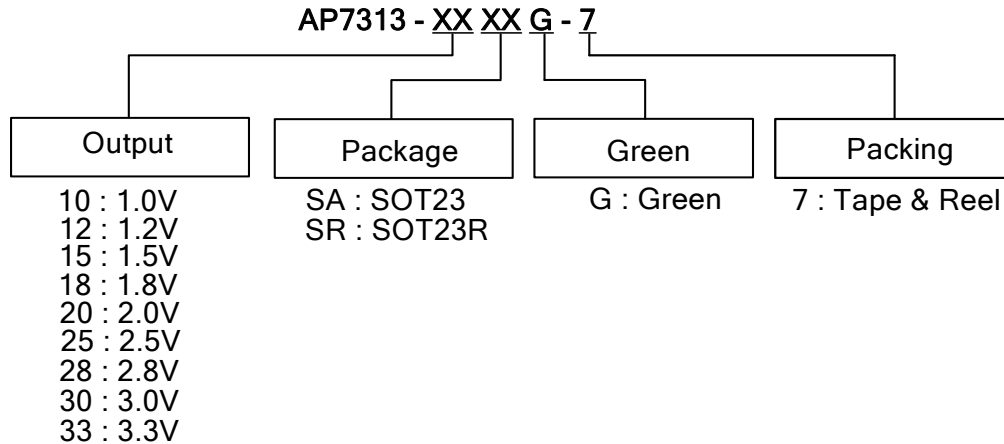
---

**Typical Application Circuit**

---



### Ordering Information

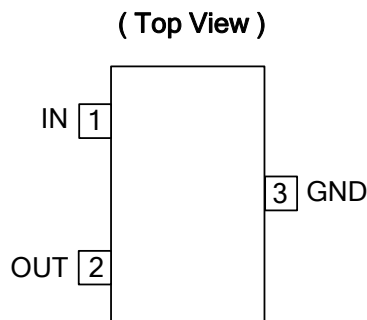


| Device         | Package Code | Packaging (Note 2) | 7" Tape and Reel |                    |
|----------------|--------------|--------------------|------------------|--------------------|
|                |              |                    | Quantity         | Part Number Suffix |
| AP7313-XXSAG-7 | SA           | SOT23              | 3000/Tape & Reel | -7                 |
| AP7313-XXSRG-7 | SR           | SOT23R             | 3000/Tape & Reel | -7                 |

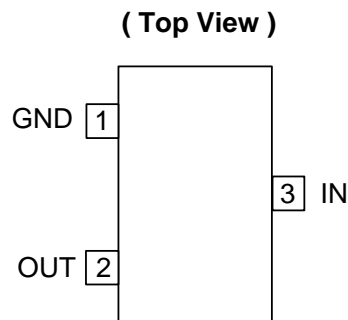
Notes: 1. EU Directive 2002/95/EC (RoHS). All applicable RoHS exemptions applied. Please visit our website at [http://www.diodes.com/products/lead\\_free.html](http://www.diodes.com/products/lead_free.html)  
 2. Pad layout as shown on Diodes Inc. suggested pad layout document AP02001, which can be found on our website at <http://www.diodes.com/datasheets/ap02001.pdf>.

### Pin Assignment

(1) SOT23



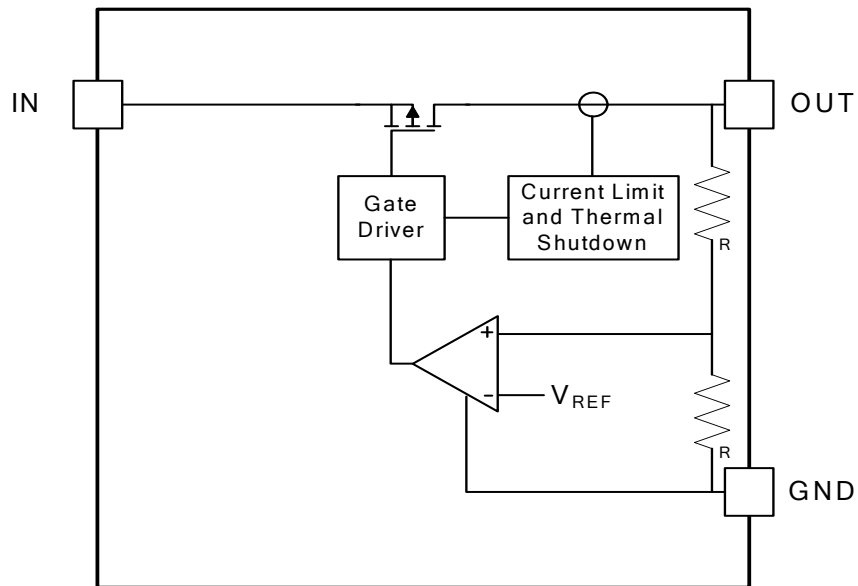
(1) SOT23R



**Pin Descriptions**

| Pin Name | Pin Number |        | Description  |
|----------|------------|--------|--|
|          | SOT23      | SOT23R |  |
| IN       | 1          | 3      | Voltage input pin. Bypass to ground through at least 1 $\mu$ F capacitor |
| OUT      | 2          | 2      | Voltage output pin. Bypass to ground through 1 $\mu$ F ceramic capacitor |
| GND      | 3          | 1      | Ground   |

**Functional Block Diagram**



### Absolute Maximum Ratings

| Symbol   | Parameter                            | Ratings          | Units |    |
|----------|--------------------------------------|------------------|-------|----|
| ESD HBM  | Human Body Model ESD Protection      | 6                | kV    |    |
| ESD MM   | Machine Model ESD Protection         | 400              | V     |    |
| $V_{IN}$ | Input Voltage                        | 7                | V     |    |
|          | Continuous Load Current              | Internal Limited |       |    |
| $T_{OP}$ | Operating Junction Temperature Range | -40 ~ 125        | °C    |    |
| $T_{ST}$ | Storage Temperature Range            | -65 ~ 150        | °C    |    |
| $P_D$    | Power Dissipation (Note 3)           | SOT23            | 600   | mW |
|          |                                      | SOT23R           | 540   | mW |
| $T_J$    | Maximum Junction Temperature         | 150              | °C    |    |

### Recommended Operating Conditions

| Symbol    | Parameter                     | Min | Max | Unit |
|-----------|-------------------------------|-----|-----|------|
| $V_{IN}$  | Input voltage                 | 2   | 6   | V    |
| $I_{OUT}$ | Output Current (Note 4)       | 0   | 150 | mA   |
| $T_A$     | Operating Ambient Temperature | -40 | 85  | °C   |

Notes: 3. Ratings apply to ambient temperature at 25°C  
 4. The device maintains a stable, regulated output voltage without a load current.

### Electrical Characteristics

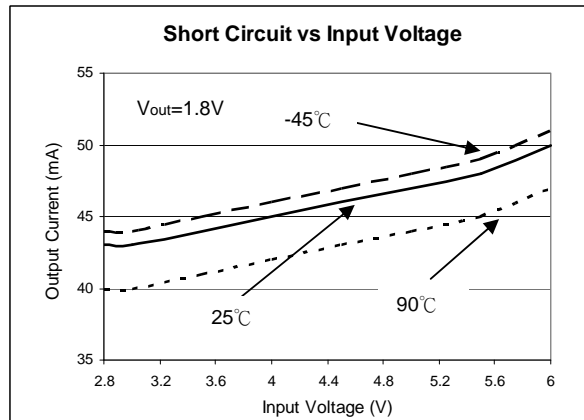
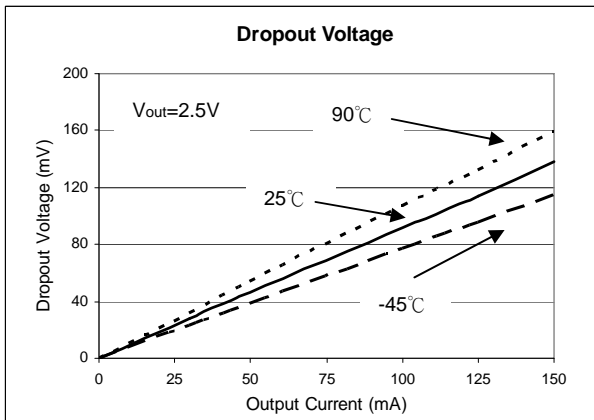
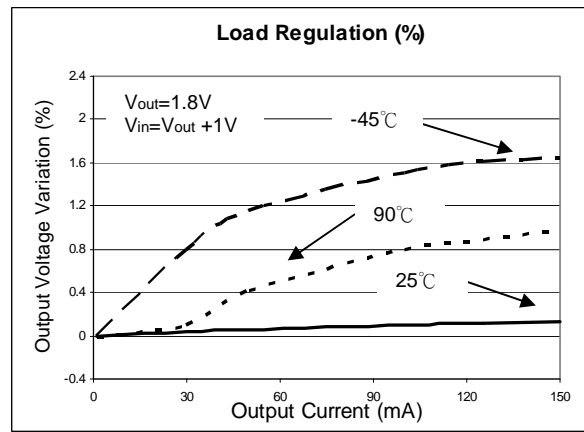
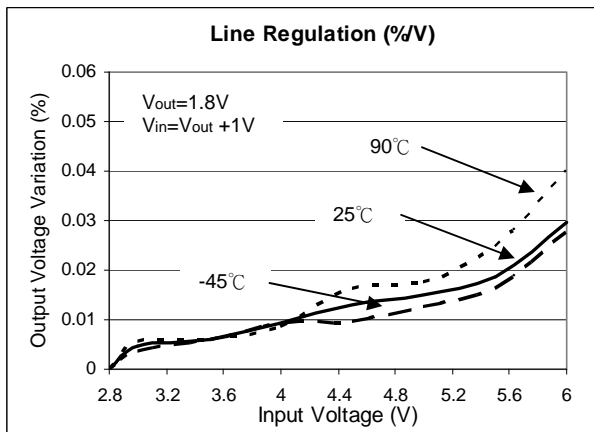
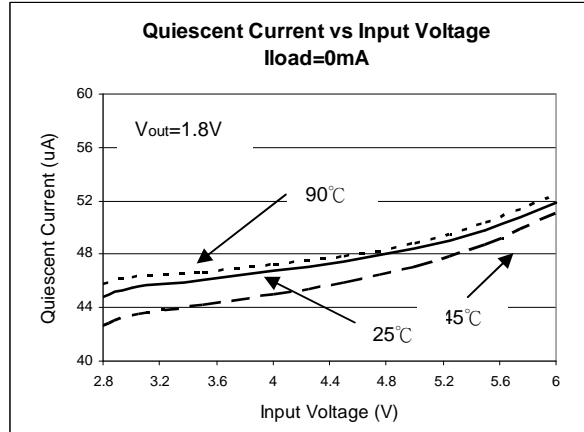
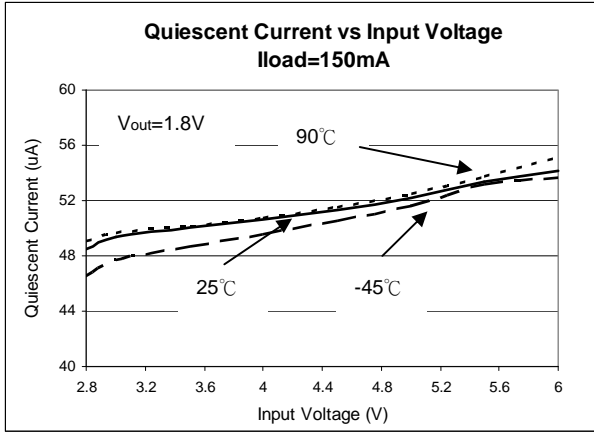
( $T_A = 25^\circ\text{C}$ ,  $V_{IN} = V_{OUT} + 1\text{V}$ ,  $C_{IN} = 1\mu\text{F}$ ,  $C_{OUT} = 1\mu\text{F}$ , unless otherwise stated)

| Symbol                                 | Parameter                              | Test Conditions  | Min  | Typ. | Max  | Unit                      |
|--|--|--|------|------|------|---------------------------|
| $I_Q$                                  | Input Quiescent Current                | $I_{OUT} = 0\text{mA}$   | —    | 55   | 75   | $\mu\text{A}$             |
|  |  | $I_{OUT} = 150\text{mA}$   |      | 65   | 85   |                           |
| $V_{Dropout}$                          | Dropout Voltage (Note 5)               | $I_{OUT} = 150\text{mA}$   |      | 150  | 300  | mV                        |
| $V_{OUT}$                              | Output Voltage Accuracy                | $T_A = -40^\circ\text{C}$ to $85^\circ\text{C}$ ,<br>$I_{OUT} = 30\text{mA}$                           | -2   |      | 2    | %                         |
| $\frac{\Delta V_{OUT}}{\Delta V_{IN}}$ | Line Regulation                        | $V_{IN} = (V_{OUT} + 1\text{V})$ to $V_{IN-Max}$ ,<br>$I_{OUT} = 1\text{mA}$                           |      | 0.01 | 0.20 | %/V                       |
| $\frac{\Delta V_{OUT}}{I_{OUT}}$       | Load Regulation                        | $V_{IN} = (V_{OUT} + 1\text{V})$ to $V_{IN-Max}$ ,<br>$I_{OUT}$ from 1mA to 150mA                      | -0.6 |      | 0.6  | %                         |
| $t_{ST}$                               | Start-up Time                          | $V_{EN} = 0\text{V}$ to $2.0\text{V}$ , $V_{OUT} = 1.8\text{V}$<br>$I_{OUT} = 150\text{mA}$            |      | 80   |      | $\mu\text{s}$             |
| PSRR                                   | PSRR                                   | $V_{IN} = [V_{OUT} + 1\text{V}]V_{DC} + 0.5V_{ppAC}$ ,<br>$f = 100\text{Hz}$ , $I_{OUT} = 30\text{mA}$ |      | 65   |      | dB                        |
| $I_{SHORT}$                            | Short-circuit Current                  | $V_{IN} = V_{IN-Min}$ to $V_{IN-Max}$ ,<br>$V_{OUT} < 0.2\text{V}$                                     |      | 50   |      | mA                        |
| $I_{LIMIT}$                            | Current limit                          | $V_{IN} = (V_{OUT} + 1\text{V})$ to $V_{IN-Max}$ ,<br>$V_{OUT}/R_{OUT} = 0.5\text{A}$                  | 200  | 300  |      | mA                        |
| $T_{SHDN}$                             | Thermal shutdown threshold             |  |      | 140  |      | $^\circ\text{C}$          |
| $T_{HYS}$                              | Thermal shutdown hysteresis            |  |      | 15   |      | $^\circ\text{C}$          |
| $\theta_{JA}$                          | Thermal Resistance Junction-to-Ambient | SOT23 (Note 6)   |      | 207  |      | $^\circ\text{C}/\text{W}$ |
|  |  | SOT23R (Note 6)  |      | 230  |      | $^\circ\text{C}/\text{W}$ |

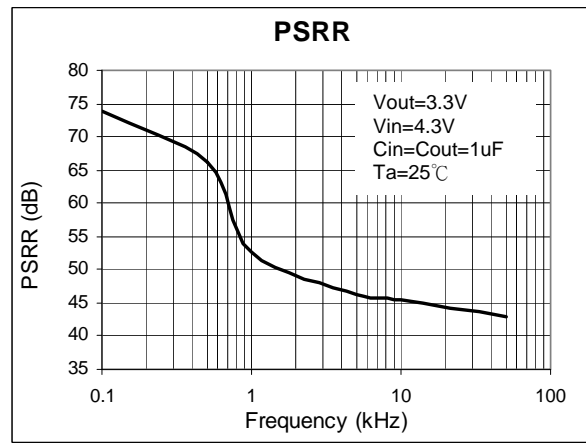
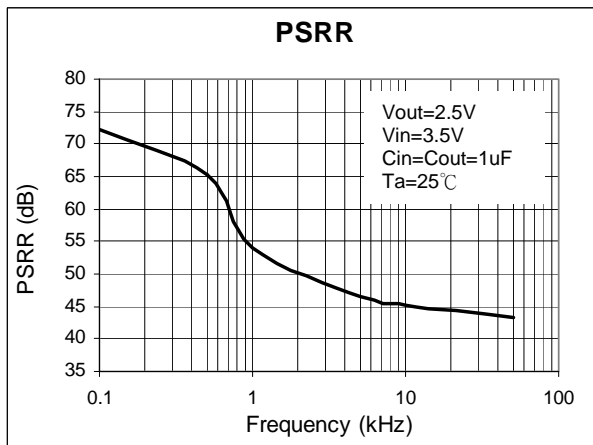
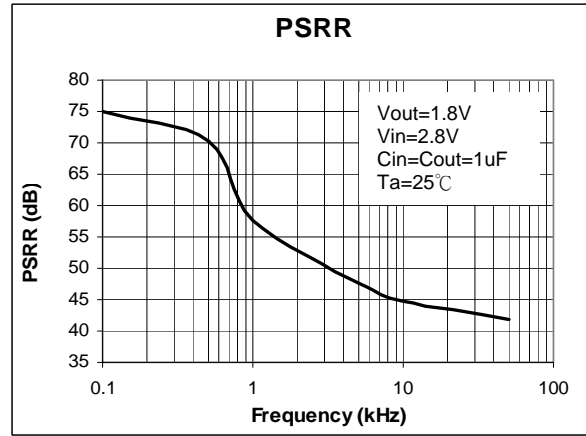
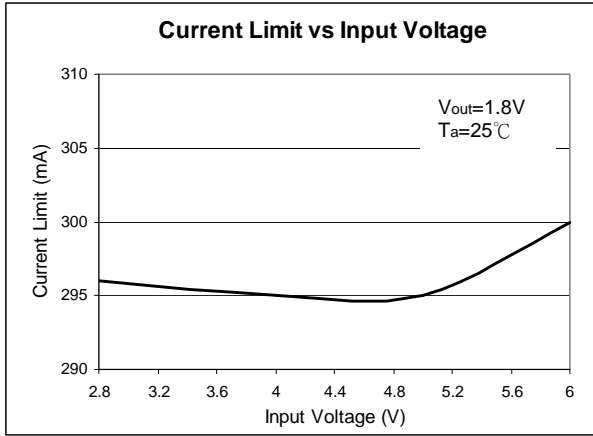
Notes: 5. Dropout voltage is the voltage difference between the input and the output at which the output voltage drops 2% below its nominal value. This parameter only applies to output voltages above 1.8V.

6. Test conditions for SOT23 and SOT23R: Device mounted on FR-4 substrate PCB, with minimum recommended pad layout, 2oz copper, single sided.

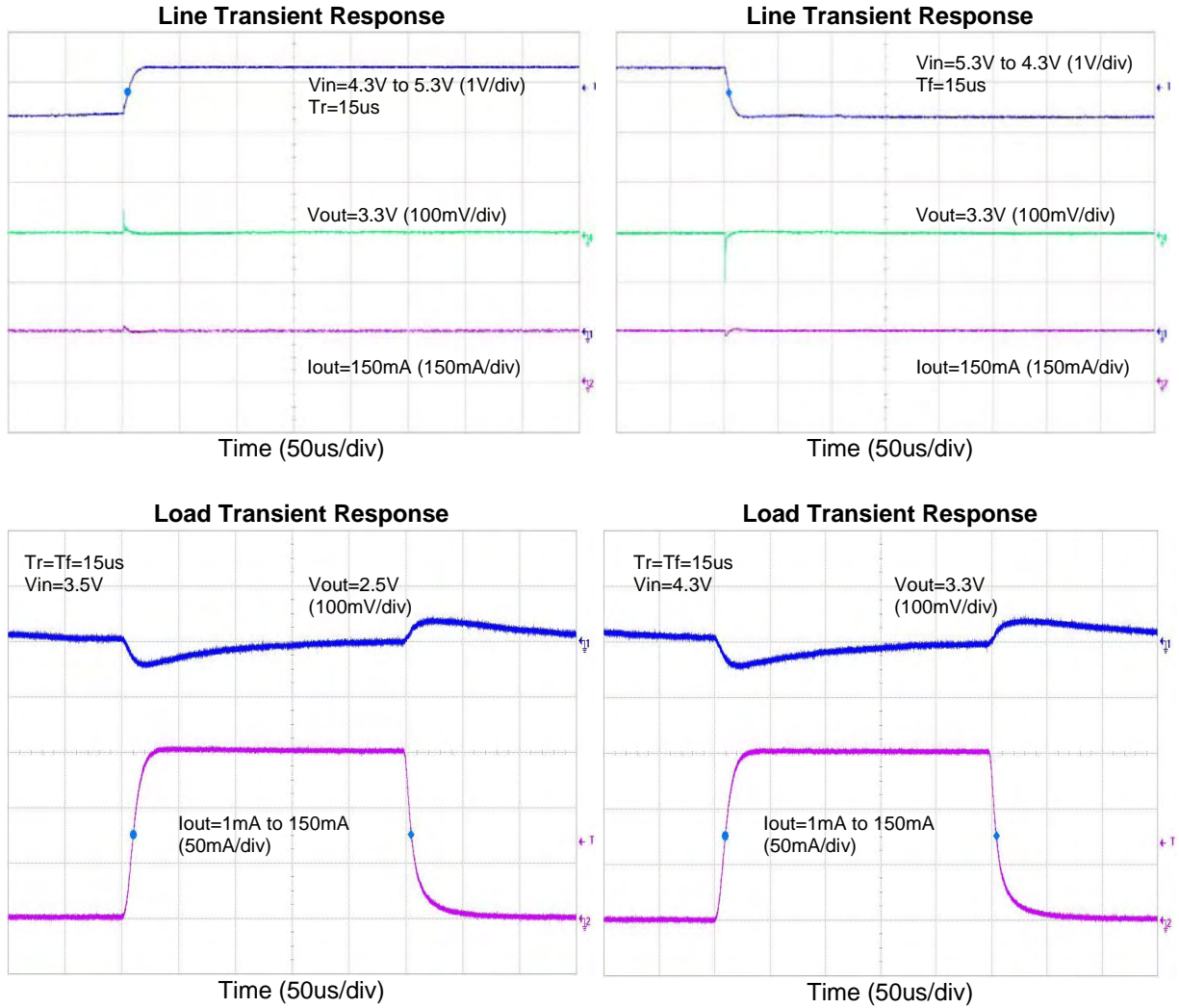
**Typical Performance Characteristics**



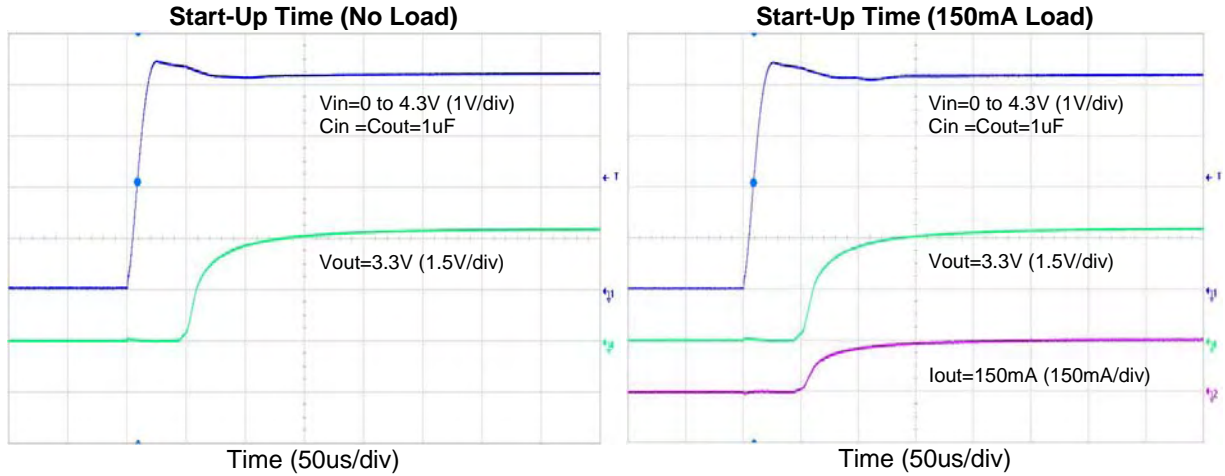
**Typical Performance Characteristics (Continued)**



**Typical Performance Characteristics (Continued)**



**Typical Performance Characteristics (Continued)**



**Application Note**

**Input Capacitor**

A 1 $\mu$ F ceramic capacitor is recommended to connect between  $V_{IN}$  and GND pins to decouple input power supply glitch and noise. The amount of the capacitance may be increased without limit. This input capacitor must be located as close as possible to the device to assure input stability and less noise. For PCB layout, a wide copper trace is required for both  $V_{IN}$  and GND. A lower ESR capacitor allows the use of less capacitance, while higher ESR type requires more capacitance.

**Output Capacitor**

The output capacitor is required to stabilize and help transient response for LDO. The AP7313 is stable with very small ceramic output capacitors. The recommended capacitance is from 1 $\mu$ F to 4.7 $\mu$ F, Equivalent Series Resistance (ESR) is from 10m $\Omega$  to 200m $\Omega$ , and temperature characteristic is X7R or X5R. Higher capacitance values help to improve load/line transient response. The output capacitance may be increased to keep low undershoot/overshoot. Place output capacitor as close as possible to OUT and GND pins, and keep the leads as short as possible.

**No Load Stability**

No minimum load is required to keep the device stable. The device will remain stable and regulated in no load condition.

**Current Limit Protection**

When output current at OUT pin is higher than current limit threshold, the current limit protection will be triggered and clamp the output current to approximately 300mA to prevent over-current and to protect the regulator from damage due to overheating.

**Short Circuit Protection**

When OUT pin is short-circuit to GND or OUT pin voltage is less than 200mV, short circuit protection will be triggered and clamp the output current to approximately 50mA. This feature protects the regulator from over-current and damage due to overheating.

**Thermal Shutdown Protection**

Thermal protection disables the output when the junction temperature rises to approximately +140°C, allowing the device

to cool down. When the junction temperature reduces to approximately +125°C the output circuitry is enabled again. Depending on power dissipation, thermal resistance, and ambient temperature, the thermal protection circuit may cycle on and off. This cycling limits the heat dissipation of the regulator, protecting it from damage due to overheating.

**Ultra Fast Start-up**

After turned on, the AP7313 is able to provide full power in as little as tens of microseconds, typically 80 $\mu$ s, without sacrificing low ground current. This feature will help load circuitry move in and out of standby mode in real time, eventually extend battery life for mobile phones and other portable devices.

**Fast Transient Response**

Fast transient response LDOs can also extend battery life. TDMA-based cell phone protocols such as Global System for Mobile Communications (GSM) have a transmit/receive duty factor of only 12.5 percent, enabling power savings by putting much of the baseband circuitry into standby mode in between transmit cycles. In baseband circuits, the load often transitions virtually instantaneously from 100 $\mu$ A to 100mA. To meet this load requirement, the LDO must react very quickly without a large voltage drop or overshoot — a requirement that cannot be met with conventional, general-purpose LDOs.

The AP7313's fast transient response from 0 to 150mA provides stable voltage supply for fast DSP and GSM chipset with fast changing load.

**Small Overshoot and Undershoot**

The AP7313 has small and controlled overshoot and undershoot in load and line transitions. This helps to protect supplied circuit from damage and operation error caused by glitches. This feature also permits the usage of small value output decoupling capacitor with AP7313.

**Low Quiescent Current**

The AP7313, consuming only around 65 $\mu$ A for all input range and output loading, provides great power saving in portable and low power applications.

**Wide Output Options**

The AP7313, with multiples of fixed output voltage options, provides a versatile LDO solution for many portable applications.

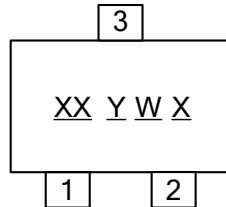
---

**Marking Information**

---

(1) SOT23 and SOT23R

( Top View )



XX : Identification code

Y : Year 0~9

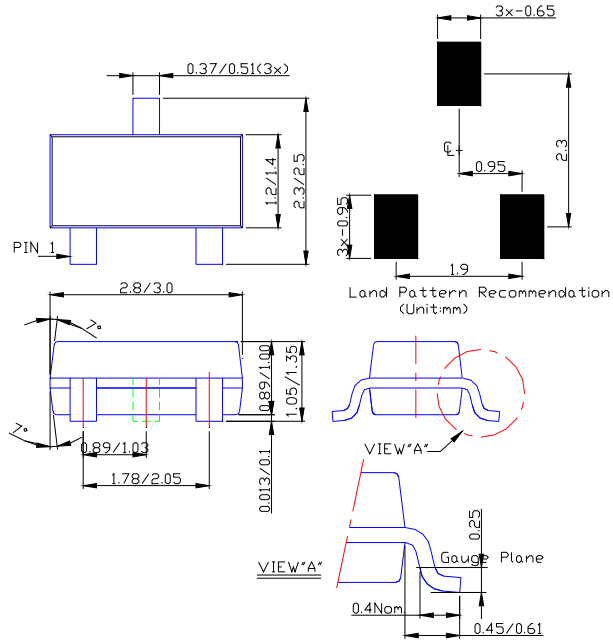
W : Week : A~Z : 1~26 week;  
a~z : 27~52 week; z represents  
52 and 53 week

X : A~Z : Green

| Device      | Package | Identification Code |
|-------------|---------|---------------------|
| AP7313-10SA | SOT23   | NR                  |
| AP7313-12SA | SOT23   | NS                  |
| AP7313-15SA | SOT23   | NT                  |
| AP7313-18SA | SOT23   | NU                  |
| AP7313-20SA | SOT23   | NV                  |
| AP7313-25SA | SOT23   | NW                  |
| AP7313-28SA | SOT23   | NX                  |
| AP7313-30SA | SOT23   | NY                  |
| AP7313-33SA | SOT23   | NZ                  |
| AP7313-10SR | SOT23R  | SA                  |
| AP7313-12SR | SOT23R  | SB                  |
| AP7313-15SR | SOT23R  | SC                  |
| AP7313-18SR | SOT23R  | SD                  |
| AP7313-20SR | SOT23R  | SE                  |
| AP7313-25SR | SOT23R  | SF                  |
| AP7313-28SR | SOT23R  | SG                  |
| AP7313-30SR | SOT23R  | SH                  |
| AP7313-33SR | SOT23R  | SJ                  |

### Package Information (All Dimensions in mm)

(1) Package Type: SOT23 and SOT23R



**IMPORTANT NOTICE**

DIODES INCORPORATED MAKES NO WARRANTY OF ANY KIND, EXPRESS OR IMPLIED, WITH REGARDS TO THIS DOCUMENT, INCLUDING, BUT NOT LIMITED TO, THE IMPLIED WARRANTIES OF MERCHANTABILITY AND FITNESS FOR A PARTICULAR PURPOSE (AND THEIR EQUIVALENTS UNDER THE LAWS OF ANY JURISDICTION).

Diodes Incorporated and its subsidiaries reserve the right to make modifications, enhancements, improvements, corrections or other changes without further notice to this document and any product described herein. Diodes Incorporated does not assume any liability arising out of the application or use of this document or any product described herein; neither does Diodes Incorporated convey any license under its patent or trademark rights, nor the rights of others. Any Customer or user of this document or products described herein in such applications shall assume all risks of such use and will agree to hold Diodes Incorporated and all the companies whose products are represented on Diodes Incorporated website, harmless against all damages.

Diodes Incorporated does not warrant or accept any liability whatsoever in respect of any products purchased through unauthorized sales channel.

Should Customers purchase or use Diodes Incorporated products for any unintended or unauthorized application, Customers shall indemnify and hold Diodes Incorporated and its representatives harmless against all claims, damages, expenses, and attorney fees arising out of, directly or indirectly, any claim of personal injury or death associated with such unintended or unauthorized application.

Products described herein may be covered by one or more United States, international or foreign patents pending. Product names and markings noted herein may also be covered by one or more United States, international or foreign trademarks.

**LIFE SUPPORT**

Diodes Incorporated products are specifically not authorized for use as critical components in life support devices or systems without the express written approval of the Chief Executive Officer of Diodes Incorporated. As used herein:

- A. Life support devices or systems are devices or systems which:
1. are intended to implant into the body, or
  2. support or sustain life and whose failure to perform when properly used in accordance with instructions for use provided in the labeling can be reasonably expected to result in significant injury to the user.
- B. A critical component is any component in a life support device or system whose failure to perform can be reasonably expected to cause the failure of the life support device or to affect its safety or effectiveness.

Customers represent that they have all necessary expertise in the safety and regulatory ramifications of their life support devices or systems, and acknowledge and agree that they are solely responsible for all legal, regulatory and safety-related requirements concerning their products and any use of Diodes Incorporated products in such safety-critical, life support devices or systems, notwithstanding any devices- or systems-related information or support that may be provided by Diodes Incorporated. Further, Customers must fully indemnify Diodes Incorporated and its representatives against any damages arising out of the use of Diodes Incorporated products in such safety-critical, life support devices or systems.

Copyright © 2009, Diodes Incorporated

[www.diodes.com](http://www.diodes.com)

## Looking for pricing, stock, or lifecycle information?

Click below to explore more details on WIN SOURCE:

 [View AP7313-33SRG-7 on WIN SOURCE](#)

 [Diodes Incorporated](#) Information

## Optimize Your Supply Chain with WIN SOURCE Solutions

-  Global Sourcing Solution
-  Obsolete Management
-  Cost Control Management
-  Shortage Management
-  Alternative Solution
-  Excess Inventory Management