



ELECTRONICS, INC.
 44 FARRAND STREET
 BLOOMFIELD, NJ 07003
 (973) 748-5089

NTE123 Silicon NPN Transistor General Purpose Audio Amplifier, Switch

Absolute Maximum Ratings:

Collector–Emitter Voltage, V_{CEO}	40V
Collector–Base Voltage, V_{CBO}	75V
Emitter–Base Voltage, V_{EBO}	6V
Continuous Collector Current, I_C	800mA
Total Device Dissipation ($T_A = +25^\circ\text{C}$), P_D	800mW
Derate Above 25°C	5.33mW/ $^\circ\text{C}$
Total Device Dissipation ($T_C = +25^\circ\text{C}$), P_D	3.0W
Derate Above 25°C	20mW/ $^\circ\text{C}$
Operating Junction Temperature Range, T_J	-65° to $+200^\circ\text{C}$
Storage Temperature Range, T_{stg}	-65° to $+200^\circ\text{C}$

Electrical Characteristics: ($T_A = +25^\circ\text{C}$ unless otherwise specified)

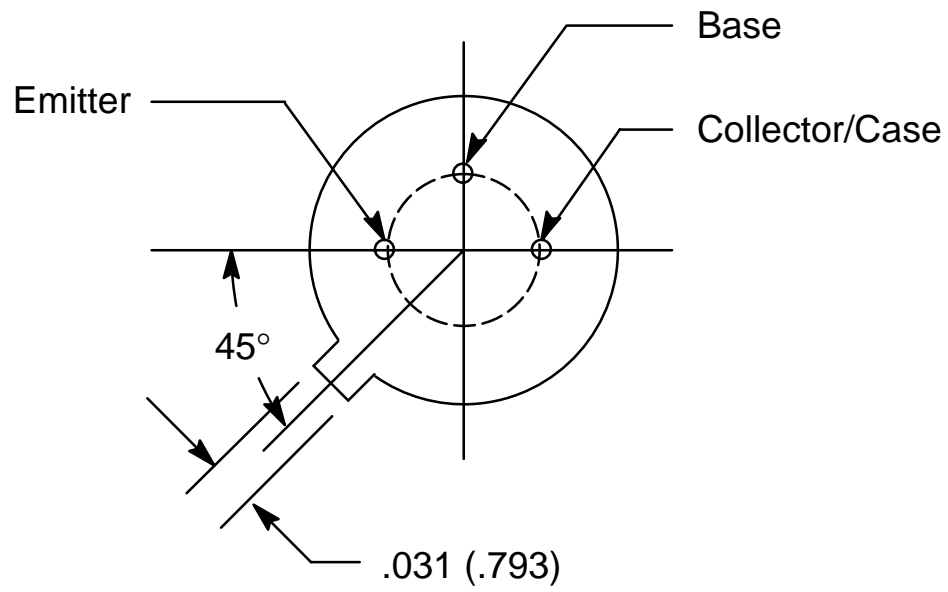
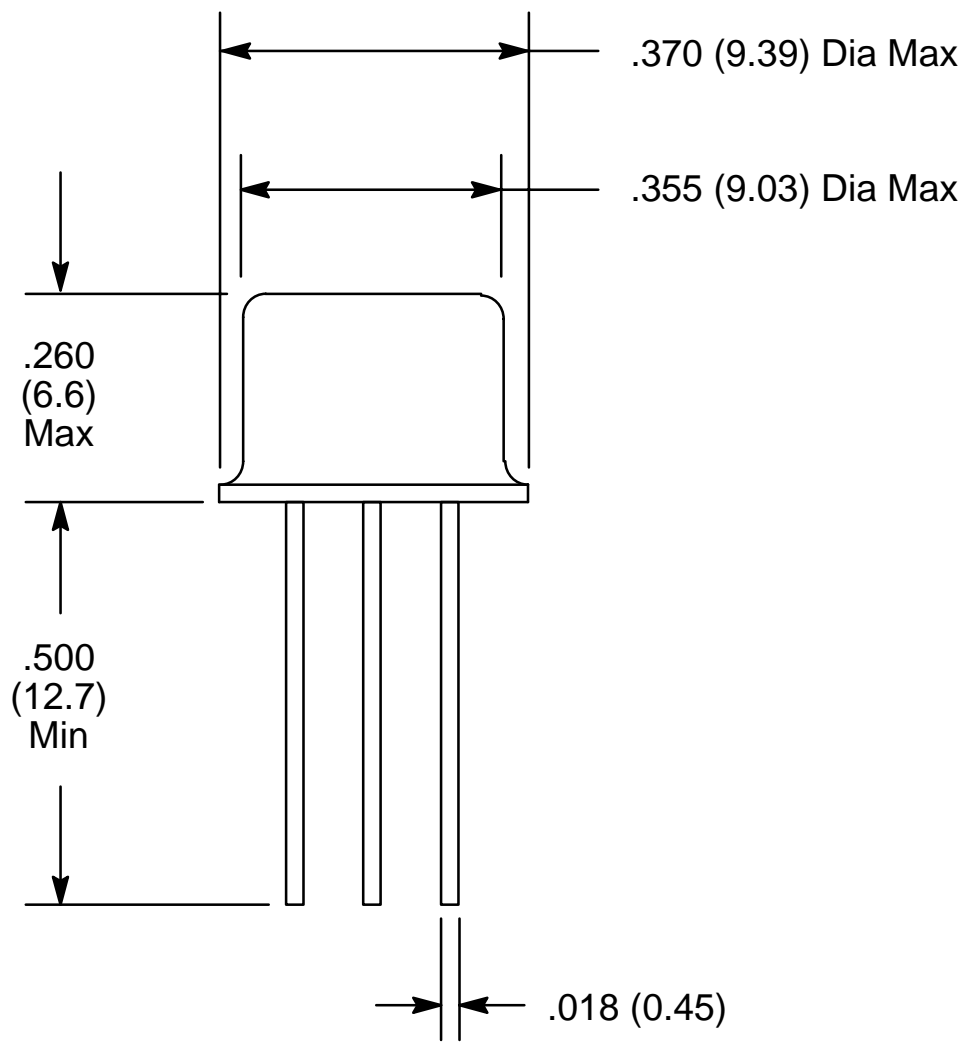
Parameter	Symbol	Test Conditions	Min	Typ	Max	Unit
OFF Characteristics						
Collector–Emitter Breakdown Voltage	$V_{(BR)CEO}$	$I_C = 10\text{mA}$, $I_B = 0$	40	–	–	V
Collector–Base Breakdown Voltage	$V_{(BR)CBO}$	$I_C = 10\mu\text{A}$, $I_E = 0$	75	–	–	V
Emitter–Base Breakdown Voltage	$V_{(BR)EBO}$	$I_E = 10\mu\text{A}$, $I_C = 0$	6	–	–	V
Collector Cutoff Current	I_{CBO}	$V_{CE} = 60\text{V}$, $I_E = 0$	–	–	0.01	μA
		$V_{CE} = 60\text{V}$, $I_E = 0$, $T_A = +150^\circ\text{C}$	–	–	10	μA
	I_{CEX}	$V_{CE} = 60\text{V}$, $V_{EB(off)} = 3\text{V}$	–	–	10	nA
Emitter Cutoff Current	I_{EBO}	$V_{EB} = 3\text{V}$, $I_C = 0$	–	–	10	nA
Base Cutoff Current	I_{BL}	$V_{CE} = 60\text{V}$, $V_{EB(off)} = 3\text{V}$	–	–	20	nA

Electrical Characteristics (Cont'd): ($T_A = +25^\circ\text{C}$ unless otherwise specified)

Parameter	Symbol	Test Conditions	Min	Typ	Max	Unit
ON Characteristics (Note 1)						
DC Current Gain	h_{FE}	$I_C = 0.1\text{mA}, V_{CE} = 10\text{V}$	35	–	–	
		$I_C = 1\text{mA}, V_{CE} = 10\text{V}$	50	–	–	
		$I_C = 10\text{mA}, V_{CE} = 10\text{V}$	75	–	–	
		$I_C = 10\text{mA}, V_{CE} = 10\text{V}, T_A = -55^\circ\text{C}$	35	–	–	
		$I_C = 150\text{mA}, V_{CE} = 10\text{V}$	100	–	300	
		$I_C = 150\text{mA}, V_{CE} = 1.0\text{V}$	50	–	–	
		$I_C = 500\text{mA}, V_{CE} = 10\text{V}$	40	–	–	
Collector–Emitter Saturation Voltage	$V_{CE(sat)}$	$I_C = 150\text{mA}, I_B = 15\text{mA}$	–	–	0.3	V
		$I_C = 500\text{mA}, I_B = 50\text{mA}$	–	–	1.0	V
Base–Emitter Saturation Voltage	$V_{BE(sat)}$	$I_C = 150\text{mA}, I_B = 15\text{mA}$	0.6	–	1.2	V
		$I_C = 500\text{mA}, I_B = 50\text{mA}$	–	–	2.0	V
Small–Signal Characteristics						
Current Gain–Bandwidth Product	f_T	$I_C = 20\text{mA}, V_{CE} = 20\text{V}, f = 100\text{MHz}, \text{Note 2}$	300	–	–	MHz
Output Capacitance	C_{obo}	$V_{CB} = 10\text{V}, I_E = 0, f = 100\text{kHz}$	–	–	8	pF
Input Capacitance	C_{ibo}	$V_{EB} = 0.5\text{V}, I_C = 0, f = 100\text{kHz}$	–	–	25	pF
Input Impedance	h_{ie}	$I_C = 1\text{mA}, V_{CE} = 10\text{V}, f = 1\text{kHz}$	2.0	–	8.0	k Ω
		$I_C = 10\text{mA}, V_{CE} = 10\text{V}, f = 1\text{kHz}$	0.25	–	1.25	k Ω
Voltage Feedback Ratio	h_{re}	$I_C = 1\text{mA}, V_{CE} = 10\text{V}, f = 1\text{kHz}$	–	–	8	$\times 10^{-4}$
		$I_C = 10\text{mA}, V_{CE} = 10\text{V}, f = 1\text{kHz}$	–	–	4	$\times 10^{-4}$
Small–Signal Current Gain	h_{fe}	$I_C = 1\text{mA}, V_{CE} = 10\text{V}, f = 1\text{kHz}$	50	–	300	
		$I_C = 10\text{mA}, V_{CE} = 10\text{V}, f = 1\text{kHz}$	75	–	375	
Output Admittance	h_{oe}	$I_C = 1\text{mA}, V_{CE} = 10\text{V}, f = 1\text{kHz}$	5.0	–	35	μmhos
		$I_C = 10\text{mA}, V_{CE} = 10\text{V}, f = 1\text{kHz}$	25	–	200	μmhos
Collector–Base Time Constant	$r_b' C_C$	$I_E = 20\text{mA}, V_{CB} = 20\text{V}, f = 31.8\text{MHz}$	–	–	150	ps
Noise Figure	NF	$I_C = 100\mu\text{A}, V_{CE} = 10\text{V}, R_S = 1\text{k}\Omega, f = 1\text{kHz}$	–	–	4	dB
Real Part of Common–Emitter High Frequency Input Impedance	$\text{Re}(h_{ie})$	$I_C = 20\text{mA}, V_{CE} = 20\text{V}, f = 300\text{MHz}$	–	–	60	Ω
Switching Characteristics						
Delay Time	t_q	$V_{CC} = 30\text{V}, V_{BE(off)} = 0.5\text{V}, I_C = 150\text{mA}, I_{B1} = 15\text{mA}$	–	–	10	ns
Rise Time	t_r		–	–	25	ns
Storage Time	t_s	$V_{CC} = 30\text{V}, I_C = 150\text{mA}, I_{B1} = I_{B2} = 15\text{mA}$	–	–	225	ns
Fall Time	t_f		–	–	60	ns
Active Region Time Constant	T_A	$I_C = 150\text{mA}, V_{CE} = 30\text{V}$	–	–	2.5	ns


Note 1. Pulse Test: Pulse Width $\leq 300\mu\text{s}$, Duty Cycle $\leq 2\%$.

Note 2. f_T is defined as the frequency at which $|h_{fe}|$ extrapolates to unity.



Looking for pricing, stock, or lifecycle information?

Click below to explore more details on WIN SOURCE:

 [View NTE123 on WIN SOURCE](#)

 [NTE Information](#)

Optimize Your Supply Chain with WIN SOURCE Solutions

-  Global Sourcing Solution
-  Obsolete Management
-  Cost Control Management
-  Shortage Management
-  Alternative Solution
-  Excess Inventory Management