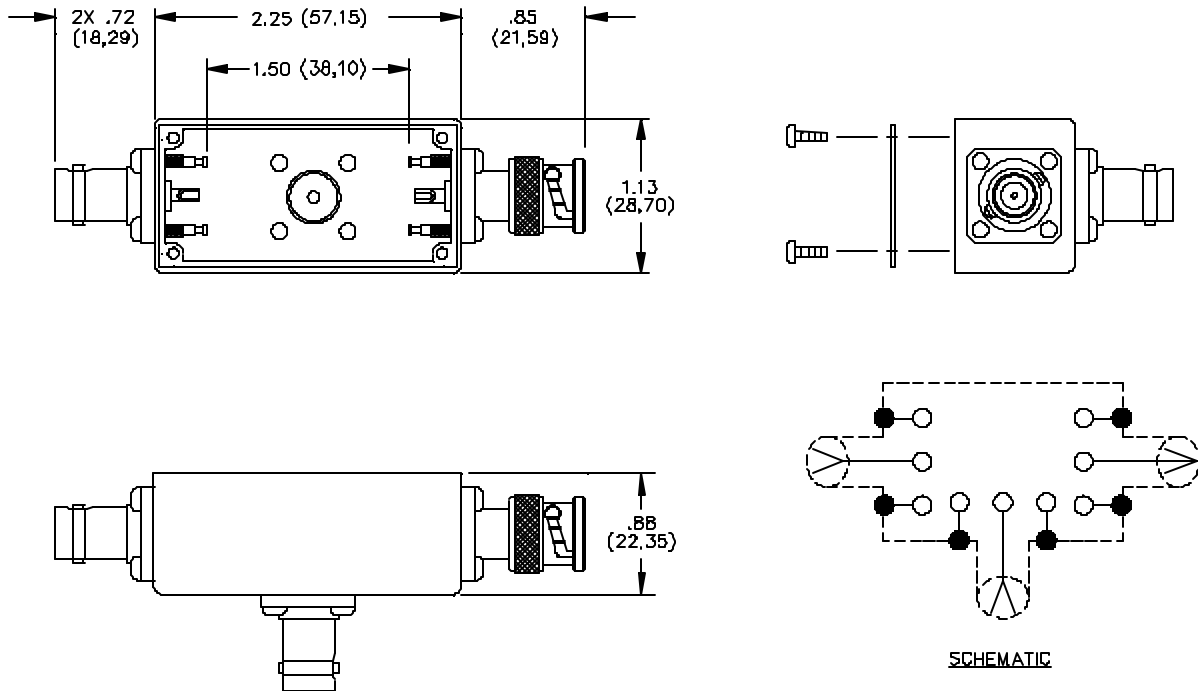




THE DATASHEET OF
2401





MATERIALS:

Connector: BNC (M) and BNC (F)

Body: Tarnish Resistant Plating, Center Contact: Female - Gold Plated Beryllium Copper, Male - Gold Plated Brass

Solder Turret Terminal Screws: Steel

Shielded Housing: Die cast aluminum alloy A380 or A384

Finish: Blue baked enamel per Federal Standard 595 #25109 over Phosphoric Etch per MIL-C-15328

Marking: "Pomona Electronics Calif."

Cover: 1.02(.040) thick aluminum #1100-H14 anodized

Marking "Pomona 2401"

Screws: Steel 4 ea. #2-32 x 1/4" Pan Head self-tapping

RATINGS:

Operating Voltage: Inner conductor/Shield: 500 VRMS Max.

Operating Temperature: -55°C to +150°C

Nominal Impedance: 50 Ohms

ORDERING INFORMATION: Model 2401



All dimensions are in inches. Tolerances (except noted): .xx = ±.02" (.51 mm), .xxx = ±.005" (.127 mm).

All specifications are to the latest revisions. Specifications are subject to change without notice.

Registered trademarks are the property of their respective companies. Made in USA

Looking for pricing, stock, or lifecycle information?

Click below to explore more details on WIN SOURCE:

-  [View 2401 on WIN SOURCE](#)
-  [Pomona Electronics Information](#)

Optimize Your Supply Chain with WIN SOURCE Solutions

-  Global Sourcing Solution
-  Obsolete Management
-  Cost Control Management
-  Shortage Management
-  Alternative Solution
-  Excess Inventory Management