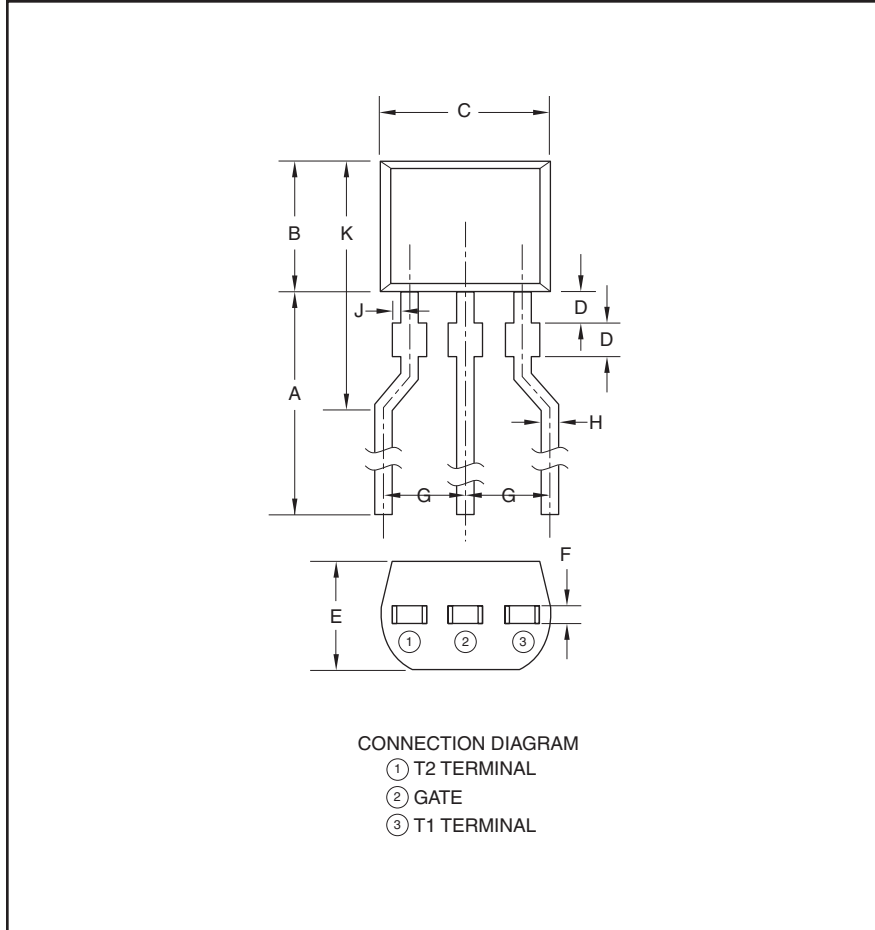




**THE DATASHEET OF
BS08D-T112**





Outline Drawing and Circuit Diagram

Dimension	Inches	Millimeters
A	0.55 Min.	14.0 Min.
B	0.12 Max.	3.0 Max.
C	0.16	4.0
D	0.39	1.0
E	0.098 Max.	2.5 Max.

Dimension	Inches	Millimeters
F	0.016	0.4
G	0.10	2.5
H	0.018	0.45
J	0.004	0.1
K	0.29 Max.	7.5 Max.



Description:

The BS08D-T112 bilateral switch is a silicon planar monolithic integrated circuit with the electrical characteristics of a bilateral thyristor. The device is designed to switch at 7 to 9 volts with a 0.01%/°C temperature coefficient and have excellently matched characteristics in both directions.

Features:

- Low Switching Voltage of 7 to 9 Volts
- Excellent Switching Voltage Temperature Characteristics (0.01%/°C)
- High Reliability Devices
- Gate Electrode Facilitating Switching Operation Control and Synchronization

Applications:

- Trigger Circuits for Thyristor or Triac, Oscillators, Timers

Ordering Information:

BS08D-T112 is tape and fancil packaged (2500/box).



Powerex, Inc., 173 Pavilion Lane, Youngwood, Pennsylvania 15697 (724) 925-7272 www.pwr.com

BS08D-T112
Silicon Bilateral Switch

Absolute Maximum Ratings, $T_j = 25^\circ\text{C}$ unless otherwise specified

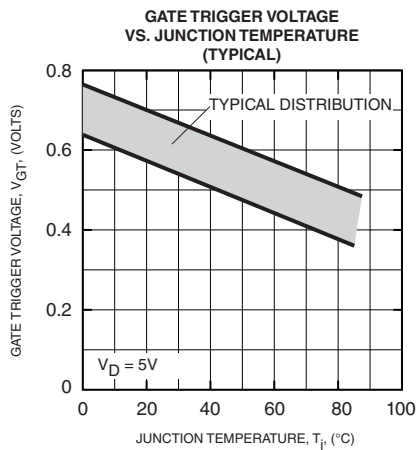
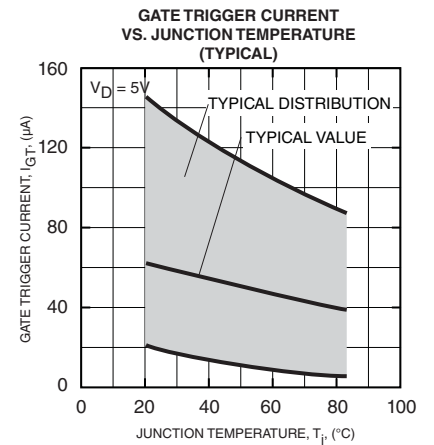
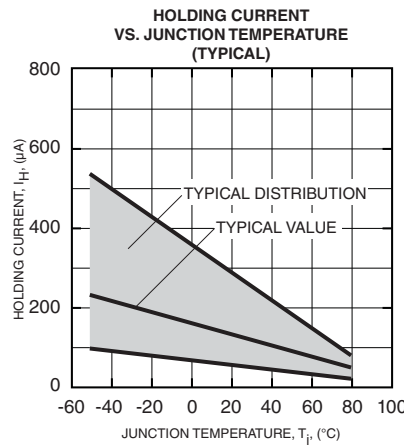
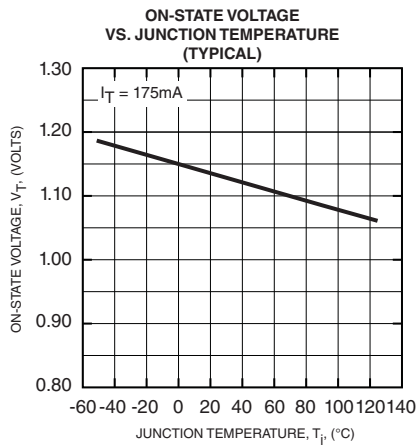
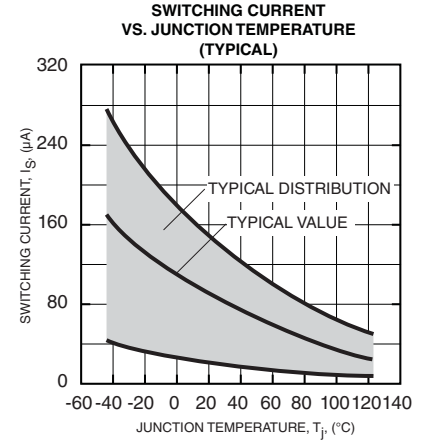
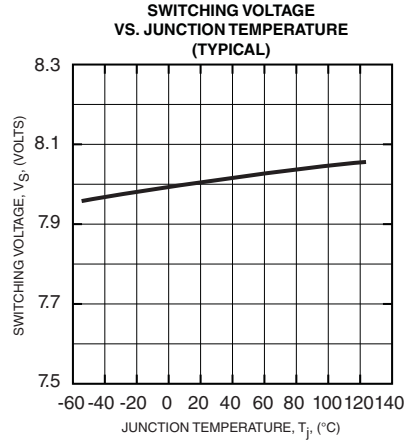
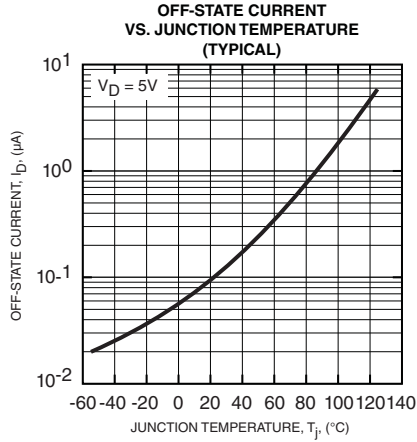
Characteristics	Symbol	BS08D-T112	Units
DC Forward Anode Current	I_T	175	mA
Repetitive Peak Forward Current (1% Duty Cycle, 10 μs Pulsewidth), $T_a = 100^\circ\text{C}$	—	1.0	Amperes
Non-repetitive Peak Forward Current (10 μs Pulsewidth)	—	2.0	Amperes
Power Dissipation	P_T	450	mW
DC Gate Current	I_G	5	mA
Storage Temperature	T_{stg}	-55 to 125	$^\circ\text{C}$
Operating Temperature	T_j	-55 to 125	$^\circ\text{C}$

Electrical and Mechanical Characteristics, $T_j = 25^\circ\text{C}$ unless otherwise specified

Characteristics	Symbol	Test Conditions	Min.	Typ.	Max.	Units
Switching Voltage	V_S	$T_a = 25^\circ\text{C}$	7	8	9	Volts
Switching Current	I_S	$T_a = 25^\circ\text{C}$	—	—	200	μA
Absolute Switching Voltage Difference	$ V_{S1} - V_{S2} $	$T_a = 25^\circ\text{C}$	—	—	0.5	Volts
Absolute Switching Current Difference	$ I_{S1} - I_{S2} $	$T_a = 25^\circ\text{C}$	—	—	100	μA
Holding Current	I_H	$T_a = 25^\circ\text{C}$	—	—	1.5	mA
Off-state Current	I_D	$V_D = 5\text{V}, T_a = 25^\circ\text{C}$	—	—	1.0	μA
		$V_D = 5\text{V}, T_a = 85^\circ\text{C}$	—	—	10	μA
Temperature Coefficient of Switching Voltage	—	$T_a = -55$ to 85°C	—	± 0.01	—	$\%/^\circ\text{C}$
Peak On-state Voltage	V_T	$I_T = 175\text{mA}, T_a = 25^\circ\text{C}$	—	—	1.4	Volts
Gate Trigger Current	I_{GT}	$V_D = 5\text{V}, T_a = 25^\circ\text{C}$	10	—	200	μA
Gate Non-trigger Voltage	V_{GD}	$V_D = 5\text{V}, T_a = 85^\circ\text{C}$	0.2	—	—	Volts



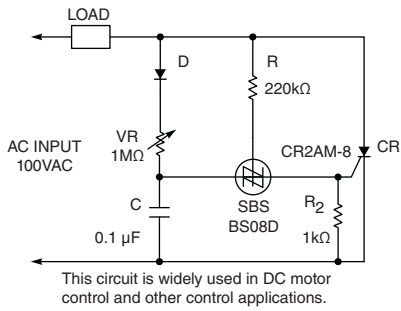
BS08D-T112
Silicon Bilateral Switch



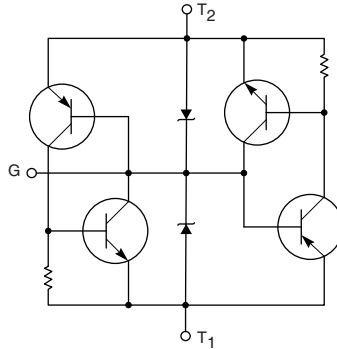
BS08D-T112
Silicon Bilateral Switch

APPLICATION EXAMPLES

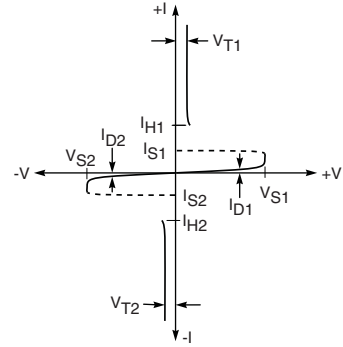
THYRISTOR TRIGGER CIRCUIT



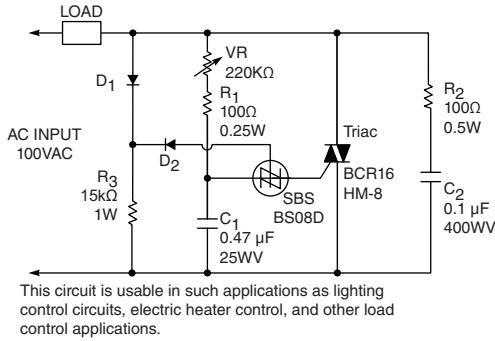
EQUIVALENT CIRCUIT



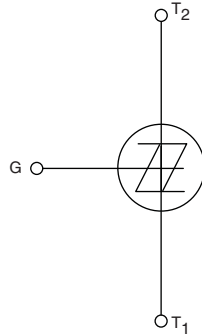
STATIC CHARACTERISTICS



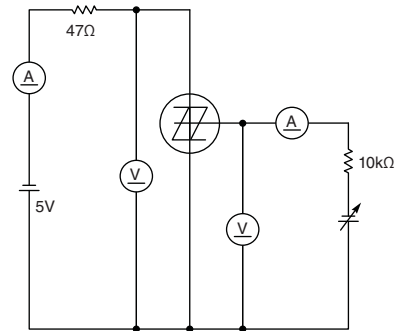
TRIAC TRIGGER CIRCUIT



CIRCUIT SYMBOL



GATE CHARACTERISTICS MEASUREMENT CIRCUIT



Looking for pricing, stock, or lifecycle information?

Click below to explore more details on WIN SOURCE:

 [View BS08D-T112 on WIN SOURCE](#)

 [Powerex Inc. Information](#)

Optimize Your Supply Chain with WIN SOURCE Solutions

-  Global Sourcing Solution
-  Obsolete Management
-  Cost Control Management
-  Shortage Management
-  Alternative Solution
-  Excess Inventory Management