



**THE DATASHEET OF
LM7912CT/NOPB**



LM79XX Series 3-Terminal Negative Regulators

Check for Samples: [LM7905](#), [LM7912](#), [LM7915](#)

FEATURES

- Thermal, Short Circuit and Safe Area Protection
- High Ripple Rejection
- 1.5A Output Current
- 4% Tolerance on Preset Output Voltage

DESCRIPTION

The LM79XX series of 3-terminal regulators is available with fixed output voltages of $-5V$, $-12V$, and $-15V$. These devices need only one external component—a compensation capacitor at the output. The LM79XX series is packaged in the TO-220 power package and is capable of supplying 1.5A of output current.

These regulators employ internal current limiting safe area protection and thermal shutdown for protection against virtually all overload conditions.

Low ground pin current of the LM79XX series allows output voltage to be easily boosted above the preset value with a resistor divider. The low quiescent current drain of these devices with a specified maximum change with line and load ensures good regulation in the voltage boosted mode.

For applications requiring other voltages, see LM137 datasheet.

Connection Diagram

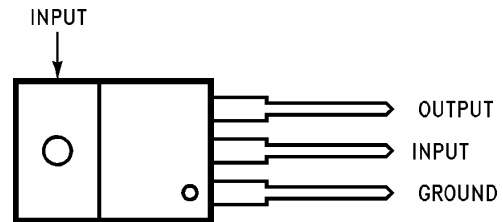
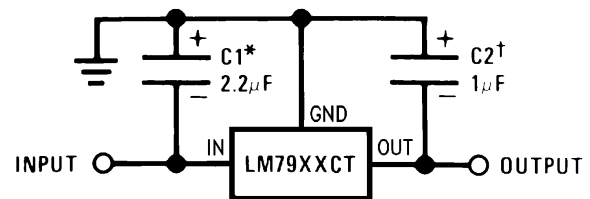


Figure 1. TO-220 Package Front View
See Package Number NDE0003B

Typical Applications



*Required if regulator is separated from filter capacitor by more than 3". For value given, capacitor must be solid tantalum. 25µF aluminum electrolytic may be substituted.

†Required for stability. For value given, capacitor must be solid tantalum. 25µF aluminum electrolytic may be substituted. Values given may be increased without limit.

For output capacitance in excess of 100µF, a high current diode from input to output (1N4001, etc.) will protect the regulator from momentary input shorts.

Figure 2. Fixed Regulator



Please be aware that an important notice concerning availability, standard warranty, and use in critical applications of Texas Instruments semiconductor products and disclaimers thereto appears at the end of this data sheet.

All trademarks are the property of their respective owners.



These devices have limited built-in ESD protection. The leads should be shorted together or the device placed in conductive foam during storage or handling to prevent electrostatic damage to the MOS gates.

ABSOLUTE MAXIMUM RATINGS⁽¹⁾

Input Voltage	
($V_o = -5V$)	-25V
($V_o = -12V$ and $-15V$)	-35V
Input-Output Differential	
($V_o = -5V$)	25V
($V_o = -12V$ and $-15V$)	30V
Power Dissipation ⁽²⁾	Internally Limited
Operating Junction Temperature Range	0°C to +125°C
Storage Temperature Range	-65°C to +150°C
Lead Temperature (Soldering, 10 sec.)	230°C

- (1) Absolute Maximum Ratings indicate limits beyond which damage to the device may occur. Operating Ratings indicate conditions for which the device is intended to be functional, but do not ensure Specific Performance limits. For ensured specifications and test conditions, see the Electrical Characteristics.
- (2) Refer to [DESIGN CONSIDERATIONS](#) for details.

ELECTRICAL CHARACTERISTICS

Conditions unless otherwise noted: $I_{OUT} = 500mA$, $C_{IN} = 2.2\mu F$, $C_{OUT} = 1\mu F$, $0^\circ C \leq T_J \leq +125^\circ C$, Power Dissipation $\leq 1.5W$.

Part Number			LM7905C			Units
Output Voltage			-5V			
Input Voltage (unless otherwise specified)			-10V			
Symbol	Parameter	Conditions	Min	Typ	Max	
V_o	Output Voltage	$T_J = 25^\circ C$ $5mA \leq I_{OUT} \leq 1A$, $P \leq 15W$	-4.8	-5.0	-5.2	V
			-4.75		-5.25	V
				($-20 \leq V_{IN} \leq -7$)		V
ΔV_o	Line Regulation	$T_J = 25^\circ C$, ⁽¹⁾		8	50	mV
				($-25 \leq V_{IN} \leq -7$)		V
				2	15	mV
		($-12 \leq V_{IN} \leq -8$)		V		
ΔV_o	Load Regulation	$T_J = 25^\circ C$, ⁽¹⁾ $5mA \leq I_{OUT} \leq 1.5A$ $250mA \leq I_{OUT} \leq 750mA$		15	100	mV
				5	50	mV
I_Q	Quiescent Current	$T_J = 25^\circ C$		1	2	mA
ΔI_Q	Quiescent Current Change	With Line			0.5	mA
		With Load, $5mA \leq I_{OUT} \leq 1A$			0.5	mA
V_n	Output Noise Voltage Ripple Rejection	$T_A = 25^\circ C$, $10Hz \leq f \leq 100Hz$ $f = 120Hz$		125		μV
			54	66		dB
	Dropout Voltage	$T_J = 25^\circ C$, $I_{OUT} = 1A$		1.1		V
I_{OMAX}	Peak Output Current	$T_J = 25^\circ C$		2.2		A
	Average Temperature Coefficient of Output Voltage	$I_{OUT} = 5mA$, $0^\circ C \leq T_J \leq 100^\circ C$		0.4		mV/°C

- (1) Regulation is measured at a constant junction temperature by pulse testing with a low duty cycle. Changes in output voltage due to heating effects must be taken into account.

ELECTRICAL CHARACTERISTICS

 Conditions unless otherwise noted: $I_{OUT} = 500\text{mA}$, $C_{IN} = 2.2\mu\text{F}$, $C_{OUT} = 1\mu\text{F}$, $0^\circ\text{C} \leq T_J \leq +125^\circ\text{C}$, Power Dissipation $\leq 1.5\text{W}$.

Part Number			LM7912C			LM7915C			Units	
Output Voltage			-12V			-15V				
Input Voltage (unless otherwise specified)			-19V			-23V				
Symbol	Parameter	Conditions	Min	Typ	Max	Min	Typ	Max		
V_O	Output Voltage	$T_J = 25^\circ\text{C}$	-11.5	-12.0	-12.5	-14.4	-15.0	-15.6	V	
		$5\text{mA} \leq I_{OUT} \leq 1\text{A}$,	-11.4		-12.6	-14.25		-15.75	V	
		$P \leq 15\text{W}$	$(-27 \leq V_{IN} \leq -14.5)$			$(-30 \leq V_{IN} \leq -17.5)$			V	
ΔV_O	Line Regulation	$T_J = 25^\circ\text{C}$, ⁽¹⁾	5		80	5		100	mV	
			$(-30 \leq V_{IN} \leq -14.5)$			$(-30 \leq V_{IN} \leq -17.5)$			V	
			3		30	3		50	mV	
			$(-22 \leq V_{IN} \leq -16)$			$(-26 \leq V_{IN} \leq -20)$			V	
ΔV_O	Load Regulation	$T_J = 25^\circ\text{C}$, ⁽¹⁾		15	200		15	200	mV	
			$5\text{mA} \leq I_{OUT} \leq 1.5\text{A}$							
			$250\text{mA} \leq I_{OUT} \leq 750\text{mA}$		5	75		5	75	mV
I_Q	Quiescent Current	$T_J = 25^\circ\text{C}$		1.5	3		1.5	3	mA	
ΔI_Q	Quiescent Current Change	With Line	0.5			0.5			mA	
		With Load, $5\text{mA} \leq I_{OUT} \leq 1\text{A}$	$(-30 \leq V_{IN} \leq -14.5)$			$(-30 \leq V_{IN} \leq -17.5)$			V	
V_n	Output Noise Voltage Ripple Rejection	$T_A = 25^\circ\text{C}$, $10\text{Hz} \leq f \leq 100\text{Hz}$	300			375			μV	
		$f = 120\text{Hz}$	54	70		54	70		dB	
	Dropout Voltage	$T_J = 25^\circ\text{C}$, $I_{OUT} = 1\text{A}$	$(-25 \leq V_{IN} \leq -15)$			$(-30 \leq V_{IN} \leq -17.5)$			V	
I_{OMAX}	Peak Output Current	$T_J = 25^\circ\text{C}$		2.2			2.2		A	
	Average Temperature Coefficient of Output Voltage	$I_{OUT} = 5\text{mA}$, $0^\circ\text{C} \leq T_J \leq 100^\circ\text{C}$		-0.8			-1.0		mV/°C	

(1) Regulation is measured at a constant junction temperature by pulse testing with a low duty cycle. Changes in output voltage due to heating effects must be taken into account.

DESIGN CONSIDERATIONS

The LM79XX fixed voltage regulator series has thermal overload protection from excessive power dissipation, internal short circuit protection which limits the circuit's maximum current, and output transistor safe-area compensation for reducing the output current as the voltage across the pass transistor is increased.

Although the internal power dissipation is limited, the junction temperature must be kept below the maximum specified temperature (125°C) in order to meet data sheet specifications. To calculate the maximum junction temperature or heat sink required, the following thermal resistance values should be used:

Package	Typ θ_{JC} °C/W	Max θ_{JC} °C/W	Typ θ_{JA} °C/W	Max θ_{JA} °C/W
TO-220	3.0	5.0	60	40

$$P_{D\text{ MAX}} = \frac{T_{J\text{ MAX}} - T_A}{\theta_{JC} + \theta_{CA}} \text{ or } \frac{T_{J\text{ MAX}} - T_A}{\theta_{JA}}$$

$$\theta_{CA} = \theta_{CS} + \theta_{SA} \text{ (without heat sink)} \quad (1)$$

Solving for T_J :

$$T_J = T_A + P_D (\theta_{JC} + \theta_{CA})$$

or

$$= T_A + P_D \theta_{JA} \text{ (without heat sink)}$$

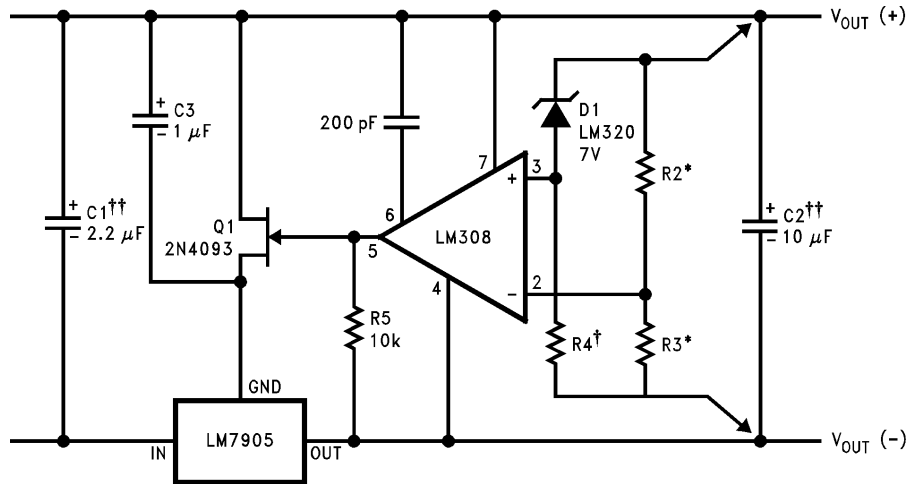
where

- T_J = Junction Temperature
- T_A = Ambient Temperature
- P_D = Power Dissipation
- θ_{JA} = Junction-to-Ambient Thermal Resistance
- θ_{JC} = Junction-to-Case Thermal Resistance
- θ_{CA} = Case-to-Ambient Thermal Resistance
- θ_{CS} = Case-to-Heat Sink Thermal Resistance
- θ_{SA} = Heat Sink-to-Ambient Thermal Resistance

Typical Applications

Bypass capacitors are necessary for stable operation of the LM79XX series of regulators over the input voltage and output current ranges. Output bypass capacitors will improve the transient response by the regulator.

The bypass capacitors, (2.2µF on the input, 1.0µF on the output) should be ceramic or solid tantalum which have good high frequency characteristics. If aluminum electrolytics are used, their values should be 10µF or larger. The bypass capacitors should be mounted with the shortest leads, and if possible, directly across the regulator terminals.



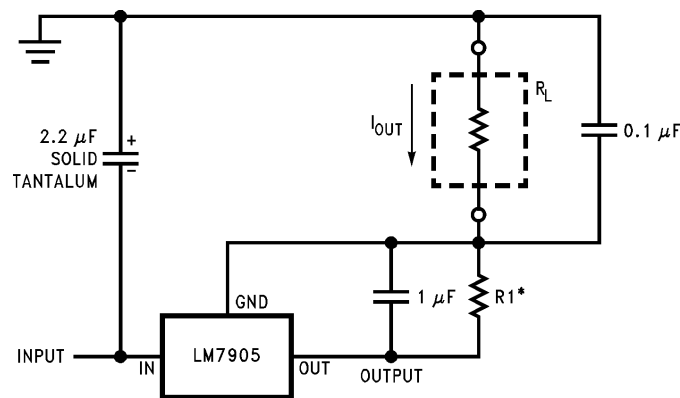
Load and line regulation < 0.01% temperature stability ≤ 0.2%

†Determine Zener current

††Solid tantalum

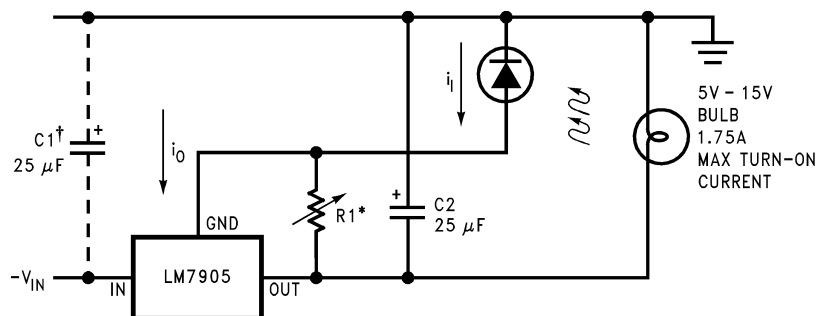
*Select resistors to set output voltage. 2 ppm/°C tracking suggested

Figure 3. High Stability 1 Amp Regulator



$$*I_{OUT} = 1 \text{ mA} + \frac{5\text{V}}{R1}$$

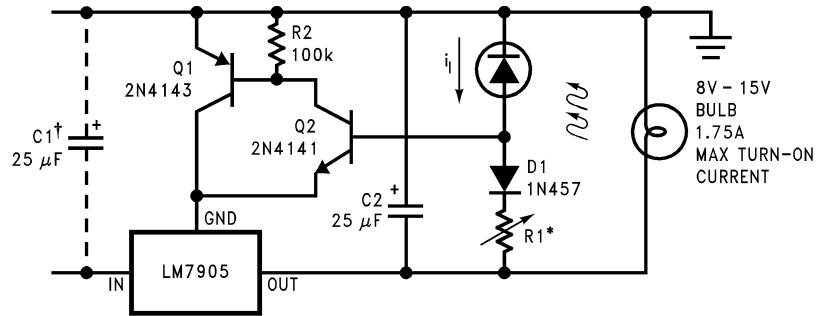
Figure 4. Current Source



*Lamp brightness increase until $i_i = i_Q (\approx 1 \text{ mA}) + 5\text{V}/R1$.

†Necessary only if raw supply filter capacitor is more that 2" from LM7905CT

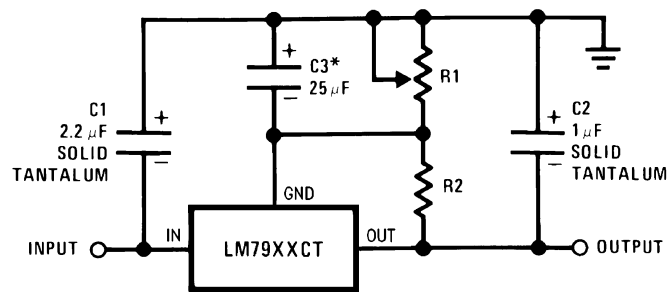
Figure 5. Light Controller Using Silicon Photo Cell



*Lamp brightness increases until $i_l = 5V/R1$ (i_l can be set as low as $1 \mu A$)

†Necessary only if raw supply filter capacitor is more than 2" from LM7905

Figure 6. High-Sensitivity Light Controller



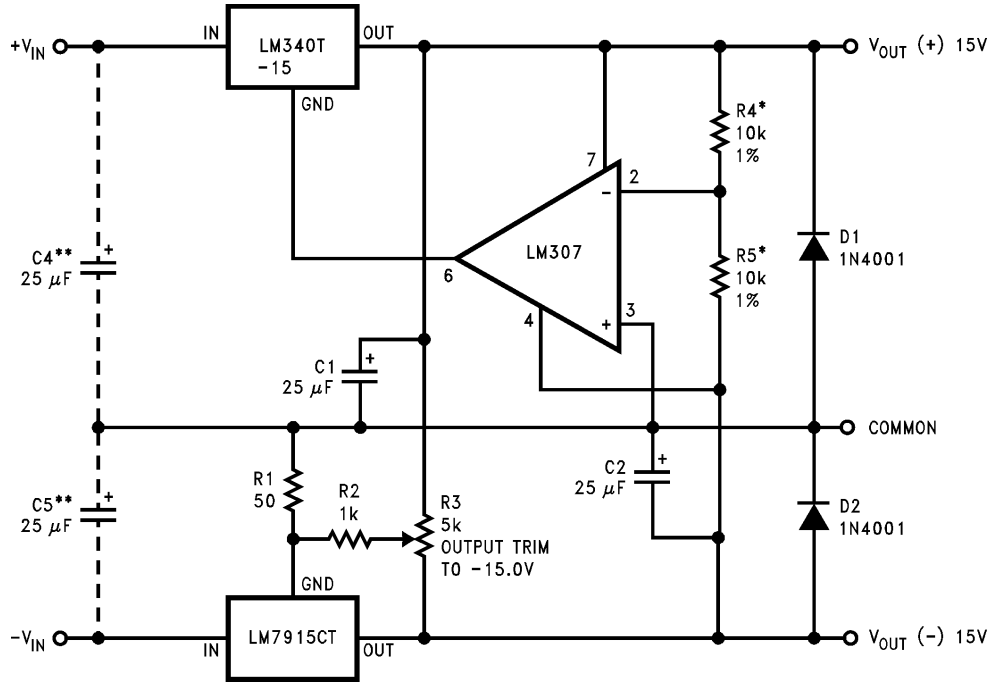
*Improves transient response and ripple rejection. Do not increase beyond $50 \mu F$.

$$V_{OUT} = V_{SET} \left(\frac{R1 + R2}{R2} \right)$$

Select R2 as follows:

LM7905CT	300Ω
LM7912CT	750Ω
LM7915CT	1k

Figure 7. Variable Output



	(-15)	(+15)
Load Regulation at $\Delta I_L = 1A$	40mV	2mV
Output Ripple, $C_{IN} = 3000\mu F$, $I_L = 1A$	100 μVms	100 μVms
Temperature Stability	50mV	50mV
Output Noise $10Hz \leq f \leq 10kHz$	150 μVms	150 μVms

*Resistor tolerance of R4 and R5 determine matching of (+) and (-) outputs.

**Necessary only if raw supply filter capacitors are more than 3" from regulators.

Figure 8. ±15V, 1 Amp Tracking Regulators

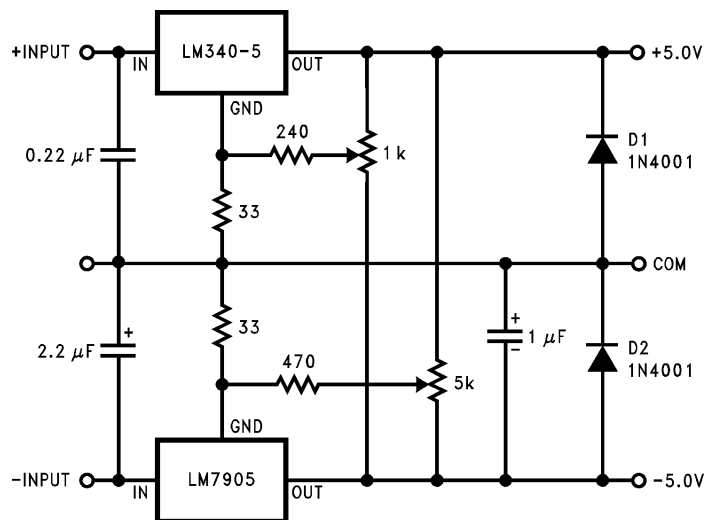


Figure 9. Dual Trimmed Supply

Schematic Diagrams

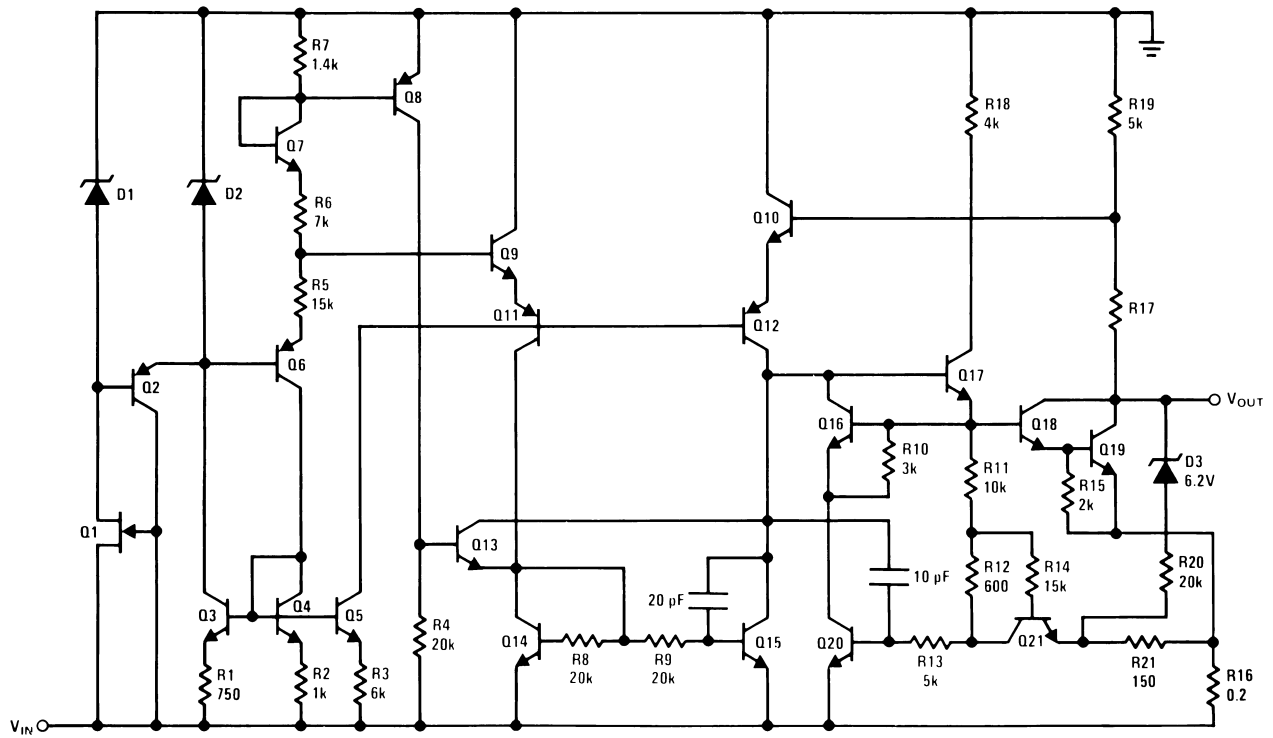


Figure 10. -5V

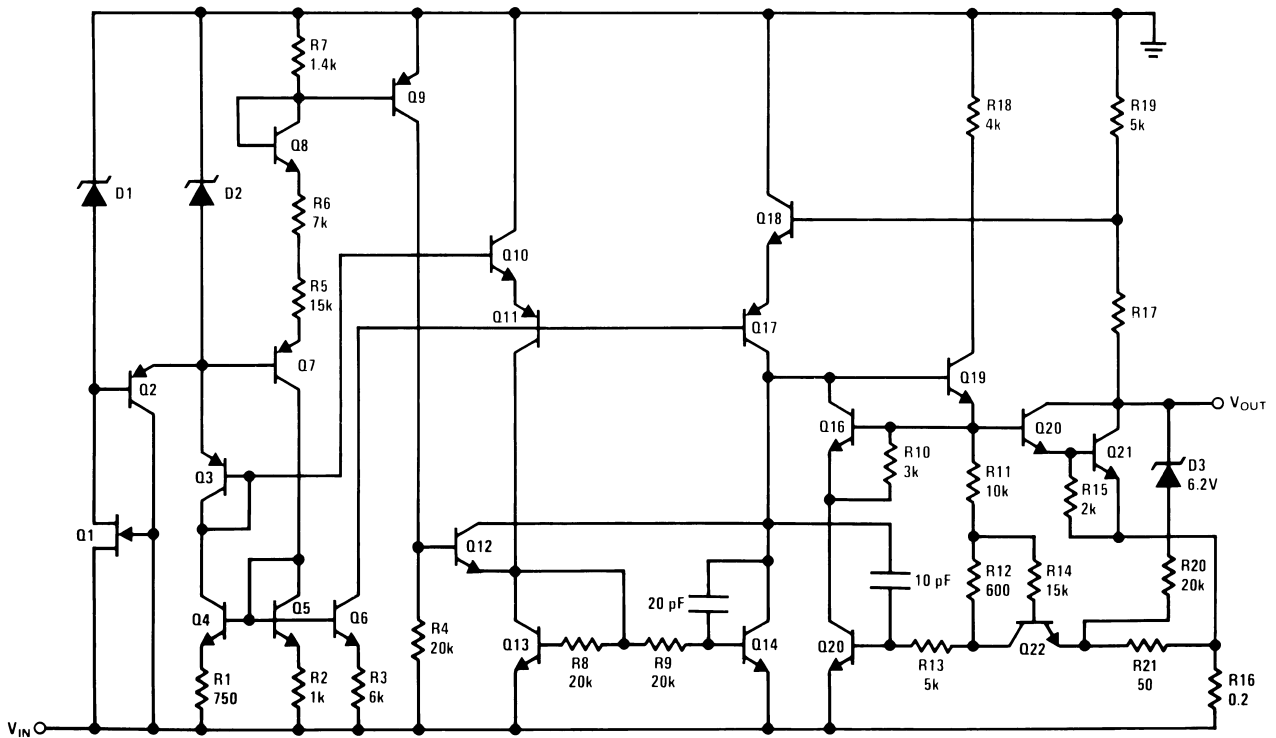


Figure 11. -12V and -15V

REVISION HISTORY

Changes from Revision B (May 2013) to Revision C	Page
• Changed layout of National Data Sheet to TI format.	8

PACKAGING INFORMATION

Orderable Device	Status (1)	Package Type	Package Drawing	Pins	Package Qty	Eco Plan (2)	Lead/Ball Finish (6)	MSL Peak Temp (3)	Op Temp (°C)	Device Marking (4/5)	Samples
LM7905CT	NRND	TO-220	NDE	3	45	TBD	Call TI	Call TI	0 to 125	LM7905CT	
LM7905CT/NOPB	ACTIVE	TO-220	NDE	3	45	Green (RoHS & no Sb/Br)	CU SN	Level-1-NA-UNLIM	0 to 125	LM7905CT	Samples
LM7912CT	NRND	TO-220	NDE	3	45	TBD	Call TI	Call TI	0 to 125	LM7912CT	
LM7912CT/NOPB	ACTIVE	TO-220	NDE	3	45	Green (RoHS & no Sb/Br)	CU SN	Level-1-NA-UNLIM	0 to 125	LM7912CT	Samples
LM7915CT	NRND	TO-220	NDE	3	45	TBD	Call TI	Call TI	0 to 125	LM7915CT	
LM7915CT/NOPB	ACTIVE	TO-220	NDE	3	45	Green (RoHS & no Sb/Br)	CU SN	Level-1-NA-UNLIM	0 to 125	LM7915CT	Samples

(1) The marketing status values are defined as follows:

ACTIVE: Product device recommended for new designs.

LIFEBUY: TI has announced that the device will be discontinued, and a lifetime-buy period is in effect.

NRND: Not recommended for new designs. Device is in production to support existing customers, but TI does not recommend using this part in a new design.

PREVIEW: Device has been announced but is not in production. Samples may or may not be available.

OBSELETE: TI has discontinued the production of the device.

(2) Eco Plan - The planned eco-friendly classification: Pb-Free (RoHS), Pb-Free (RoHS Exempt), or Green (RoHS & no Sb/Br) - please check <http://www.ti.com/productcontent> for the latest availability information and additional product content details.

TBD: The Pb-Free/Green conversion plan has not been defined.

Pb-Free (RoHS): TI's terms "Lead-Free" or "Pb-Free" mean semiconductor products that are compatible with the current RoHS requirements for all 6 substances, including the requirement that lead not exceed 0.1% by weight in homogeneous materials. Where designed to be soldered at high temperatures, TI Pb-Free products are suitable for use in specified lead-free processes.

Pb-Free (RoHS Exempt): This component has a RoHS exemption for either 1) lead-based flip-chip solder bumps used between the die and package, or 2) lead-based die adhesive used between the die and leadframe. The component is otherwise considered Pb-Free (RoHS compatible) as defined above.

Green (RoHS & no Sb/Br): TI defines "Green" to mean Pb-Free (RoHS compatible), and free of Bromine (Br) and Antimony (Sb) based flame retardants (Br or Sb do not exceed 0.1% by weight in homogeneous material)

(3) MSL, Peak Temp. - The Moisture Sensitivity Level rating according to the JEDEC industry standard classifications, and peak solder temperature.

(4) There may be additional marking, which relates to the logo, the lot trace code information, or the environmental category on the device.

(5) Multiple Device Markings will be inside parentheses. Only one Device Marking contained in parentheses and separated by a "~" will appear on a device. If a line is indented then it is a continuation of the previous line and the two combined represent the entire Device Marking for that device.

⁽⁶⁾ Lead/Ball Finish - Orderable Devices may have multiple material finish options. Finish options are separated by a vertical ruled line. Lead/Ball Finish values may wrap to two lines if the finish value exceeds the maximum column width.

Important Information and Disclaimer:The information provided on this page represents TI's knowledge and belief as of the date that it is provided. TI bases its knowledge and belief on information provided by third parties, and makes no representation or warranty as to the accuracy of such information. Efforts are underway to better integrate information from third parties. TI has taken and continues to take reasonable steps to provide representative and accurate information but may not have conducted destructive testing or chemical analysis on incoming materials and chemicals. TI and TI suppliers consider certain information to be proprietary, and thus CAS numbers and other limited information may not be available for release.

In no event shall TI's liability arising out of such information exceed the total purchase price of the TI part(s) at issue in this document sold by TI to Customer on an annual basis.

NDE0003B



IMPORTANT NOTICE

Texas Instruments Incorporated and its subsidiaries (TI) reserve the right to make corrections, enhancements, improvements and other changes to its semiconductor products and services per JESD46, latest issue, and to discontinue any product or service per JESD48, latest issue. Buyers should obtain the latest relevant information before placing orders and should verify that such information is current and complete. All semiconductor products (also referred to herein as "components") are sold subject to TI's terms and conditions of sale supplied at the time of order acknowledgment.

TI warrants performance of its components to the specifications applicable at the time of sale, in accordance with the warranty in TI's terms and conditions of sale of semiconductor products. Testing and other quality control techniques are used to the extent TI deems necessary to support this warranty. Except where mandated by applicable law, testing of all parameters of each component is not necessarily performed.

TI assumes no liability for applications assistance or the design of Buyers' products. Buyers are responsible for their products and applications using TI components. To minimize the risks associated with Buyers' products and applications, Buyers should provide adequate design and operating safeguards.

TI does not warrant or represent that any license, either express or implied, is granted under any patent right, copyright, mask work right, or other intellectual property right relating to any combination, machine, or process in which TI components or services are used. Information published by TI regarding third-party products or services does not constitute a license to use such products or services or a warranty or endorsement thereof. Use of such information may require a license from a third party under the patents or other intellectual property of the third party, or a license from TI under the patents or other intellectual property of TI.

Reproduction of significant portions of TI information in TI data books or data sheets is permissible only if reproduction is without alteration and is accompanied by all associated warranties, conditions, limitations, and notices. TI is not responsible or liable for such altered documentation. Information of third parties may be subject to additional restrictions.

Resale of TI components or services with statements different from or beyond the parameters stated by TI for that component or service voids all express and any implied warranties for the associated TI component or service and is an unfair and deceptive business practice. TI is not responsible or liable for any such statements.

Buyer acknowledges and agrees that it is solely responsible for compliance with all legal, regulatory and safety-related requirements concerning its products, and any use of TI components in its applications, notwithstanding any applications-related information or support that may be provided by TI. Buyer represents and agrees that it has all the necessary expertise to create and implement safeguards which anticipate dangerous consequences of failures, monitor failures and their consequences, lessen the likelihood of failures that might cause harm and take appropriate remedial actions. Buyer will fully indemnify TI and its representatives against any damages arising out of the use of any TI components in safety-critical applications.

In some cases, TI components may be promoted specifically to facilitate safety-related applications. With such components, TI's goal is to help enable customers to design and create their own end-product solutions that meet applicable functional safety standards and requirements. Nonetheless, such components are subject to these terms.

No TI components are authorized for use in FDA Class III (or similar life-critical medical equipment) unless authorized officers of the parties have executed a special agreement specifically governing such use.

Only those TI components which TI has specifically designated as military grade or "enhanced plastic" are designed and intended for use in military/aerospace applications or environments. Buyer acknowledges and agrees that any military or aerospace use of TI components which have **not** been so designated is solely at the Buyer's risk, and that Buyer is solely responsible for compliance with all legal and regulatory requirements in connection with such use.

TI has specifically designated certain components as meeting ISO/TS16949 requirements, mainly for automotive use. In any case of use of non-designated products, TI will not be responsible for any failure to meet ISO/TS16949.

Products

Audio	www.ti.com/audio
Amplifiers	amplifier.ti.com
Data Converters	dataconverter.ti.com
DLP® Products	www.dlp.com
DSP	dsp.ti.com
Clocks and Timers	www.ti.com/clocks
Interface	interface.ti.com
Logic	logic.ti.com
Power Mgmt	power.ti.com
Microcontrollers	microcontroller.ti.com
RFID	www.ti-rfid.com
OMAP Applications Processors	www.ti.com/omap
Wireless Connectivity	www.ti.com/wirelessconnectivity

Applications

Automotive and Transportation	www.ti.com/automotive
Communications and Telecom	www.ti.com/communications
Computers and Peripherals	www.ti.com/computers
Consumer Electronics	www.ti.com/consumer-apps
Energy and Lighting	www.ti.com/energy
Industrial	www.ti.com/industrial
Medical	www.ti.com/medical
Security	www.ti.com/security
Space, Avionics and Defense	www.ti.com/space-avionics-defense
Video and Imaging	www.ti.com/video

TI E2E Community

e2e.ti.com

Looking for pricing, stock, or lifecycle information?

Click below to explore more details on WIN SOURCE:

 [View LM7912CT/NOPB on WIN SOURCE](#)

 [Texas Instruments](#) Information

Optimize Your Supply Chain with WIN SOURCE Solutions

-  Global Sourcing Solution
-  Obsolete Management
-  Cost Control Management
-  Shortage Management
-  Alternative Solution
-  Excess Inventory Management