



**THE DATASHEET OF
MAX16999AUA10+T**



MAX16999

Ultra-Low Output Voltage, Low-Quiescent-Current Linear Regulator for High-Temperature Applications

General Description

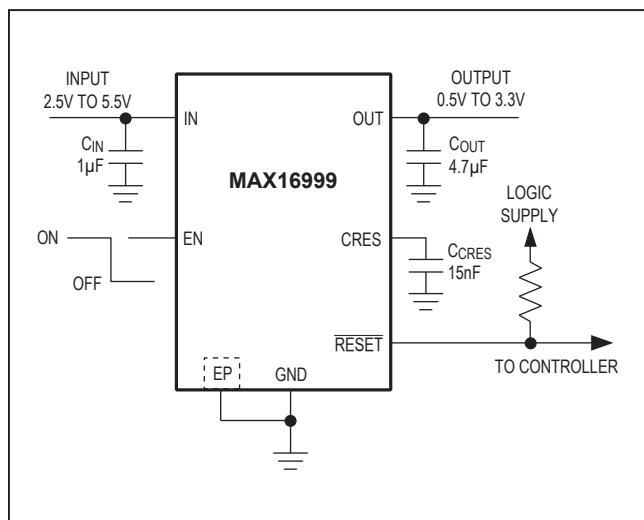
The MAX16999 linear regulator operates from a 2.5V to 5.5V input voltage and delivers 100mA continuous load current with a low quiescent current typically around 13µA. The output voltage is preset to internally trimmed voltages in the 0.5V to 3.3V range (see the *Selector Guide*). An active-low, open-drain reset output remains low for a programmable timeout delay after the output voltage reaches regulation. The reset timeout is programmed by an external capacitor connected to CRES.

This device also features logic-controlled shutdown, and short-circuit and thermal-overload protection. The typical applications are multimedia, telematics, and motor control microcontrollers (µCs) with always-on requirements. The MAX16999 is used as a parallel, lowquiescent supply to power the core or interrupt section of µCs during sleep mode. It can also be used to supply a timer or memory during µC shutoff. The adjustable POR delay assists with power-supply sequencing.

Applications

- Industrial
- SDRAM Power Supplies
- Keep-Alive Timers
- Handheld/Portable Devices

Typical Operating Circuit



Features

- Preset 0.5V to 3.3V Output Voltage Range
- Up to 100mA Output Current at $T_A = +125^\circ\text{C}$
- 13µA Quiescent Current
- Logic-Controlled Enable
- Adjustable POR Delay Flag
- Short to GND Protection on Reset Timer
- Used in Parallel with High-Current Supply of Equal Voltages
- Thermal-Overload and Short-Circuit Protection
- Tiny 8-Pin µMAX® Package with Exposed Pad

Ordering Information

PART*	TEMP RANGE	PIN-PACKAGE
MAX16999AUA__+	-40°C to +125°C	8 µMAX-EP**

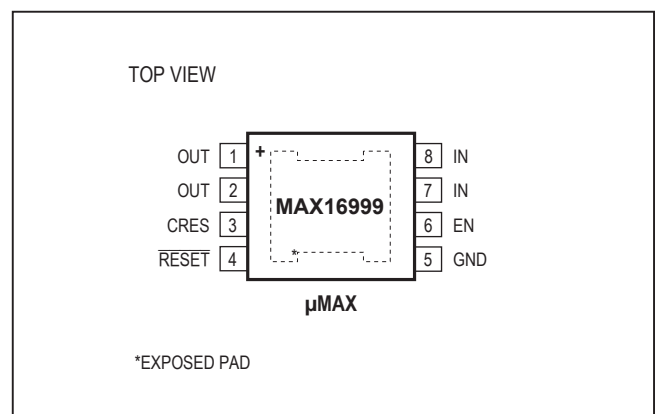
*Insert the desired two-digit suffix (see the Selector Guide) into the blanks to complete the part number. Contact the factory for other output voltages or other package options.

+Denotes a lead(Pb)-free/RoHS-compliant package.

**EP = Exposed pad.

Selector Guide appears at end of data sheet.

Pin Configuration



µMAX is a registered trademark of Maxim Integrated Products, Inc.

Absolute Maximum Ratings

IN, RESET to GND.....-0.3V to +6.0V
 OUT, CRES, EN to GND.....-0.3V to (V_{IN} + 0.3V)
 Output Short-Circuit Duration Continuous
 Continuous Power Dissipation (T_A = +70°C) (Note 1)
 (derate 10.3mW/°C above +70°C)
 μMAX (single-layer PCB)824.7mW
 (derate 12.9mW/°C above +70°C)
 μMAX (multilayer PCB)1030.9mW
 Package Junction-to-Case Thermal Resistance (θ_{JC})...4.8°C/W

Package Junction-to-Ambient Thermal Resistance (θ_{JA})
 (single-layer PCB)97°C/W
 Package Junction-to-Ambient Thermal Resistance (θ_{JA})
 (multilayer PCB)77.6°C/W
 Operating Temperature Range..... -40°C to +125°C
 Junction Temperature..... +150°C
 Storage Temperature Range..... -60°C to +150°C
 Lead Temperature (soldering, 10s)+300°C

Note 1: Package thermal resistances were obtained using the method described in JEDEC specification JESD51-7, using a four-layer board. For detailed information on package thermal considerations, refer to www.maximintegrated.com/thermal-tutorial.

Stresses beyond those listed under "Absolute Maximum Ratings" may cause permanent damage to the device. These are stress ratings only, and functional operation of the device at these or any other conditions beyond those indicated in the operational sections of the specifications is not implied. Exposure to absolute maximum rating conditions for extended periods may affect device reliability.

DC Electrical Characteristics

(For devices with V_{OUT} ≤ 1.5V, V_{IN} = 3.3V. For devices with V_{OUT} > 1.5V, V_{IN} = 5V. EN = IN, T_J = -40°C to +125°C, C_{IN} = 1μF, C_{OUT} = 4.7μF, C_{CRES} = 1000pF, unless otherwise noted. Typical values are at T_A = +25°C.) (Note 2)

PARAMETER	SYMBOL	CONDITIONS		MIN	TYP	MAX	UNITS
IN Operating Voltage	V _{IN}			2.5		5.5	V
IN Undervoltage-Lockout (UVLO) Threshold	V _{UVLO}	V _{IN} rising			1.94	2.2	V
IN UVLO Hysteresis					45		mV
Output-Voltage Accuracy		V _{IN} = V _{OUT} + 2V	V _{OUT} ≤ 1.5V, I _{OUT} = 1mA to 80mA	-2.5		+2.5	%
			V _{OUT} > 1.5V, I _{OUT} = 1mA to 100mA	-2.5		+2.5	
Current Limit	I _{LIM}	OUT = GND		105	150		mA
Ground Current	I _Q	I _{OUT} = 100μA			13	20	μA
		I _{OUT} = 100mA			23		
Dropout Voltage	V _{IN} - V _{OUT}	I _{OUT} = 80mA, V _{OUT} = 3.3V (Note 3)			0.035	0.1	V
Load Regulation	ΔV _{OUT} /ΔI _{OUT}	I _{OUT} = 1mA to 80mA			0.1		mV/mA
Line Regulation	ΔV _{OUT} /ΔV _{IN}	I _{OUT} = 80mA	V _{OUT} < 1V, 2.5V < V _{IN} < 5.5V		0.4		mV/V
			V _{OUT} ≥ 1V, (V _{OUT} + 1.5V) < V _{IN} < 5.5V		1.8		
Power-Supply Rejection Ratio	PSRR	I _{OUT} = 10mA, 500mV _{P-P} , V _{IN} - V _{OUT} > 1.5V	f = 100Hz		70		dB
			f = 100kHz		40		

DC Electrical Characteristics (continued)

(For devices with $V_{OUT} \leq 1.5V$, $V_{IN} = 3.3V$. For devices with $V_{OUT} > 1.5V$, $V_{IN} = 5V$. $EN = IN$, $T_J = -40^\circ C$ to $+125^\circ C$, $C_{IN} = 1\mu F$, $C_{OUT} = 4.7\mu F$, $C_{CRES} = 1000pF$, unless otherwise noted. Typical values are at $T_A = +25^\circ C$.) (Note 2)

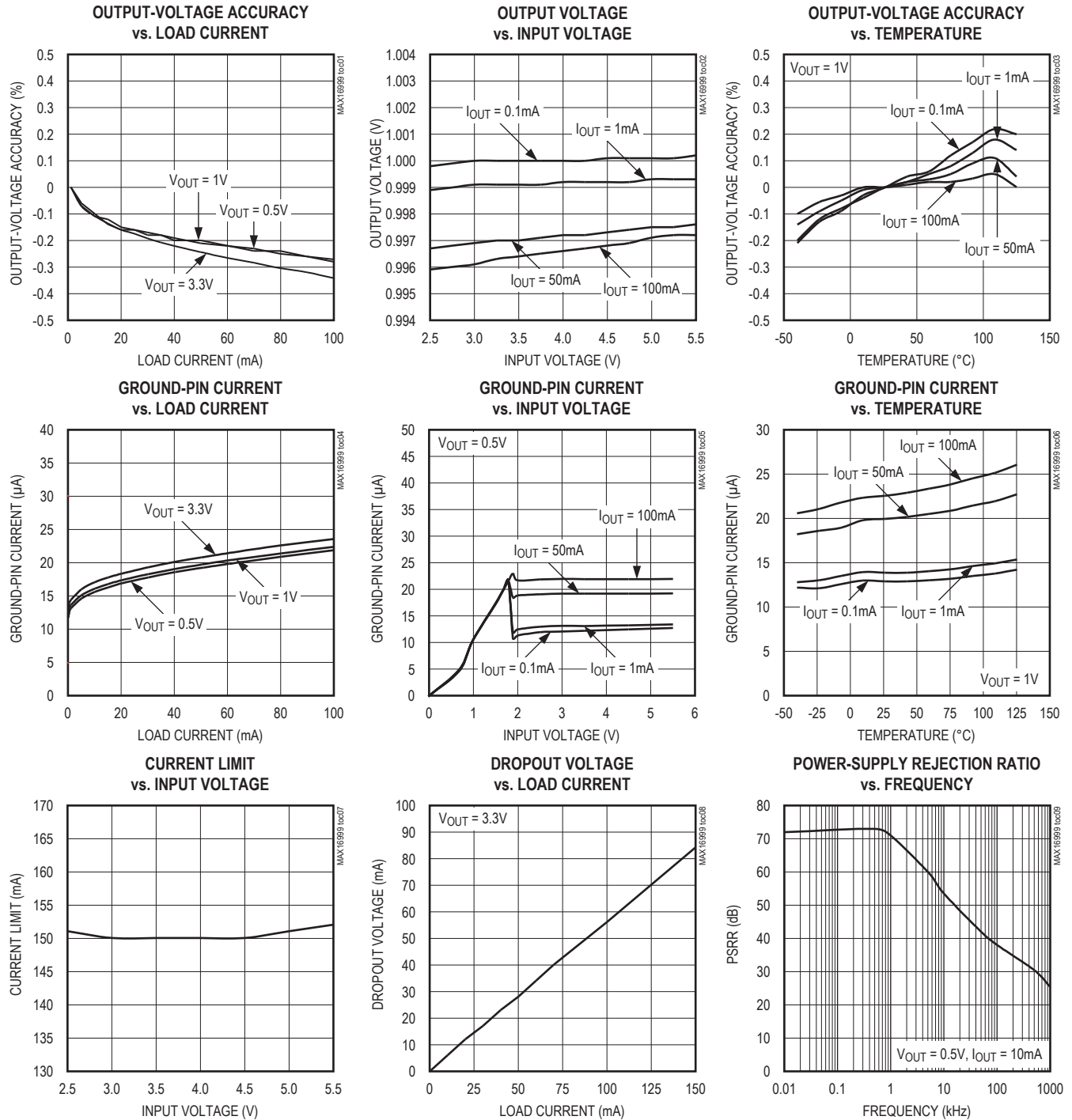
PARAMETER	SYMBOL	CONDITIONS	MIN	TYP	MAX	UNITS
EN						
Standby Current	I_{STB}	$EN = GND$		0.3	1	μA
Turn-On Delay		From $EN = high$ to $V_{OUT} = 100mV$		10		μs
Logic Levels	EN_H	Circuit active	70			% V_{IN}
	EN_L	Circuit inactive			30	
Pullup Resistance	R_{EN-H}	$V_{EN} = 75\% V_{IN}$		120		$k\Omega$
Pulldown Resistance	R_{EN-L}	$V_{EN} = 25\% V_{IN}$		120		$k\Omega$
RESET						
Threshold Accuracy	V_{RES}	V_{OUT} falling	79.5	82.5	85.5	% V_{OUT}
Threshold Hysteresis	$V_{RES,HYST}$			2.5		% V_{OUT}
RESET Open-Drain Leakage		$\overline{RESET} = high$ impedance, $V_{\overline{RESET}} = 5mV$			200	nA
Output Low Voltage	$V_{RES,OL}$	$I_{LOAD} = 250\mu A$			100	mV
RESET Timeout	t_{RSOFF}	$CRES = GND$	30		80	ms
Output Deglitch Time	$t_{DEGLITCH}$	$V_{OUT} < V_{RES}$		30		μs
CRES						
Charge Current	$I_{CRES,UP}$		8	10	12	μA
Discharge Current	$I_{CRES,DN}$		1			mA
Threshold	$V_{CRES,THRS}$	\overline{RESET} goes from low to high impedance	575	600	625	mV
THERMAL PROTECTION						
Thermal Shutdown Temperature	T_{SHDN}			+165		$^\circ C$
Thermal Shutdown Hysteresis	ΔT_{SHDN}			15		$^\circ C$

Note 2: Limits are 100% production tested at $T_A = +25^\circ C$. Limits over the operating temperature range are guaranteed by design.

Note 3: Dropout voltage is defined as $V_{IN} - V_{OUT}$ when V_{OUT} is 2% below its value for $V_{IN} = V_{OUT} + 2V$.

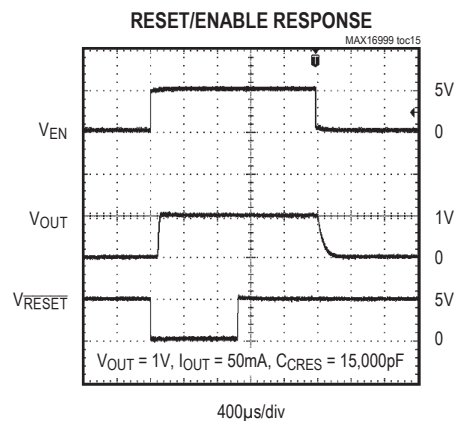
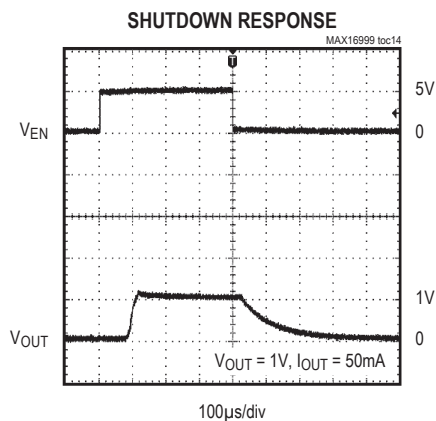
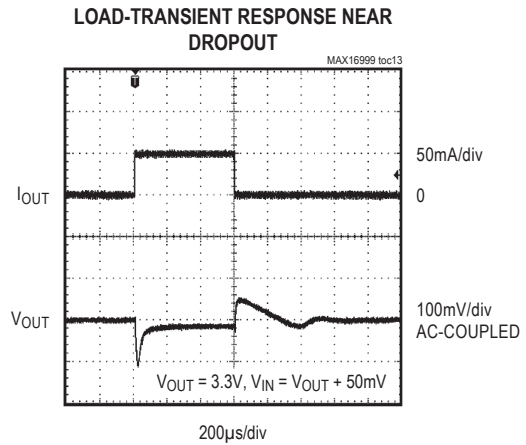
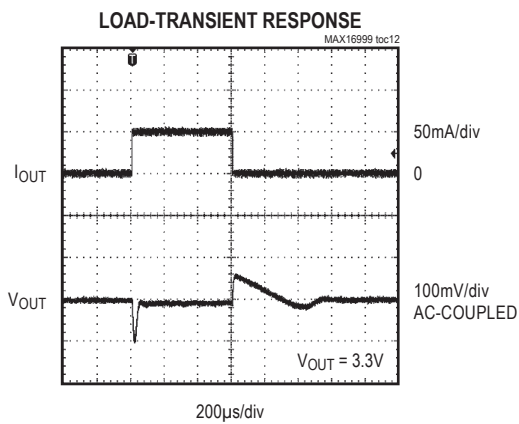
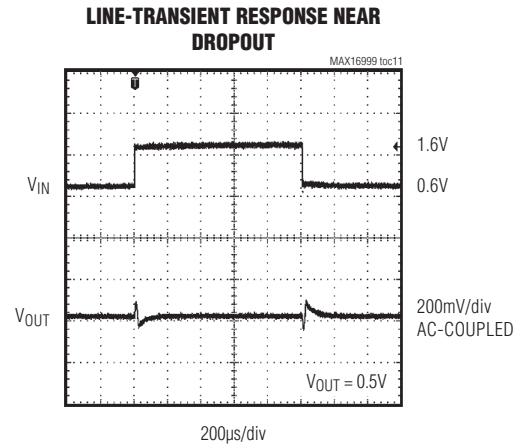
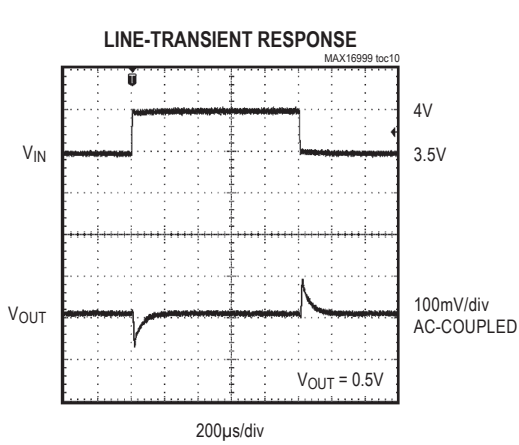
Typical Operating Characteristics

(For devices with $V_{OUT} < 1.5V$, $V_{IN} = 3.3V$. For devices with $V_{OUT} > 1.5V$, $V_{IN} = 5V$. $EN = IN$, $C_{IN} = 1\mu F$, $C_{OUT} = 4.7\mu F$, $C_{CRES} = 1000pF$, $T_A = +25^\circ C$, unless otherwise noted.)



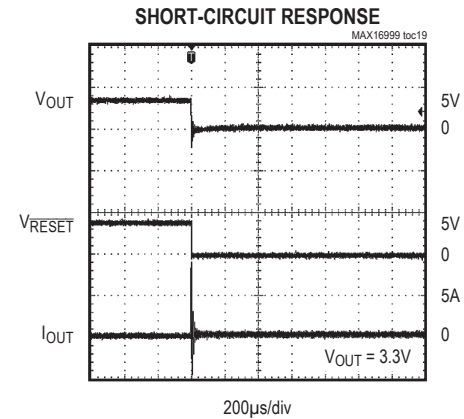
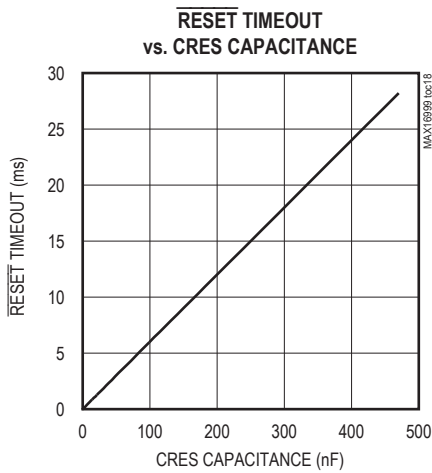
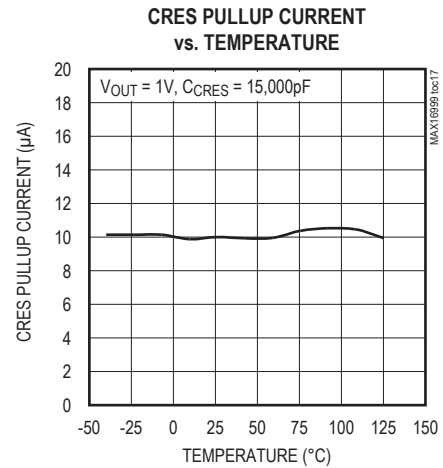
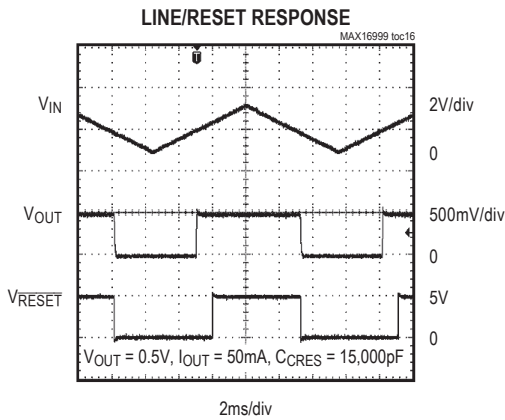
Typical Operating Characteristics (continued)

(For devices with $V_{OUT} < 1.5V$, $V_{IN} = 3.3V$. For devices with $V_{OUT} > 1.5V$, $V_{IN} = 5V$. $EN = IN$, $C_{IN} = 1\mu F$, $C_{OUT} = 4.7\mu F$, $C_{CRES} = 1000pF$, $T_A = +25^\circ C$, unless otherwise noted.)



Typical Operating Characteristics (continued)

(For devices with $V_{OUT} < 1.5V$, $V_{IN} = 3.3V$. For devices with $V_{OUT} > 1.5V$, $V_{IN} = 5V$. $EN = IN$, $C_{IN} = 1\mu F$, $C_{OUT} = 4.7\mu F$, $C_{CRES} = 1000pF$, $T_A = +25^\circ C$, unless otherwise noted.)



Pin Description

PIN	NAME	FUNCTION
1, 2	OUT	Regulator Output. Bypass OUT to GND with a 4.7µF ceramic capacitor. OUT becomes high impedance when EN is low.
3	CRES	POR Timer. Bypass CRES to GND with a ceramic capacitor to define POR timing (see the <i>POR Timer</i> section).
4	RESET	Open-Drain, Active-Low Reset Output. RESET is high impedance when output is in regulation or if the IC is in shutdown. RESET is pulled low when V_{OUT} drops below 82.5% (typ) of its nominal voltage.
5	GND	Ground. Connect GND to a large circuit board ground plane and directly to the exposed paddle.
6	EN	Active-High Enable Input. Drive EN low to place the regulator in standby mode. Drive EN high or connect to IN for normal operation.
7, 8	IN	Regulator Input. Bypass IN to GND with at least a 1µF ceramic capacitor.
—	EP	Exposed Paddle. Connect EP to a large pad or circuit board ground plane to maximize power dissipation. EP serves as a heatsink.

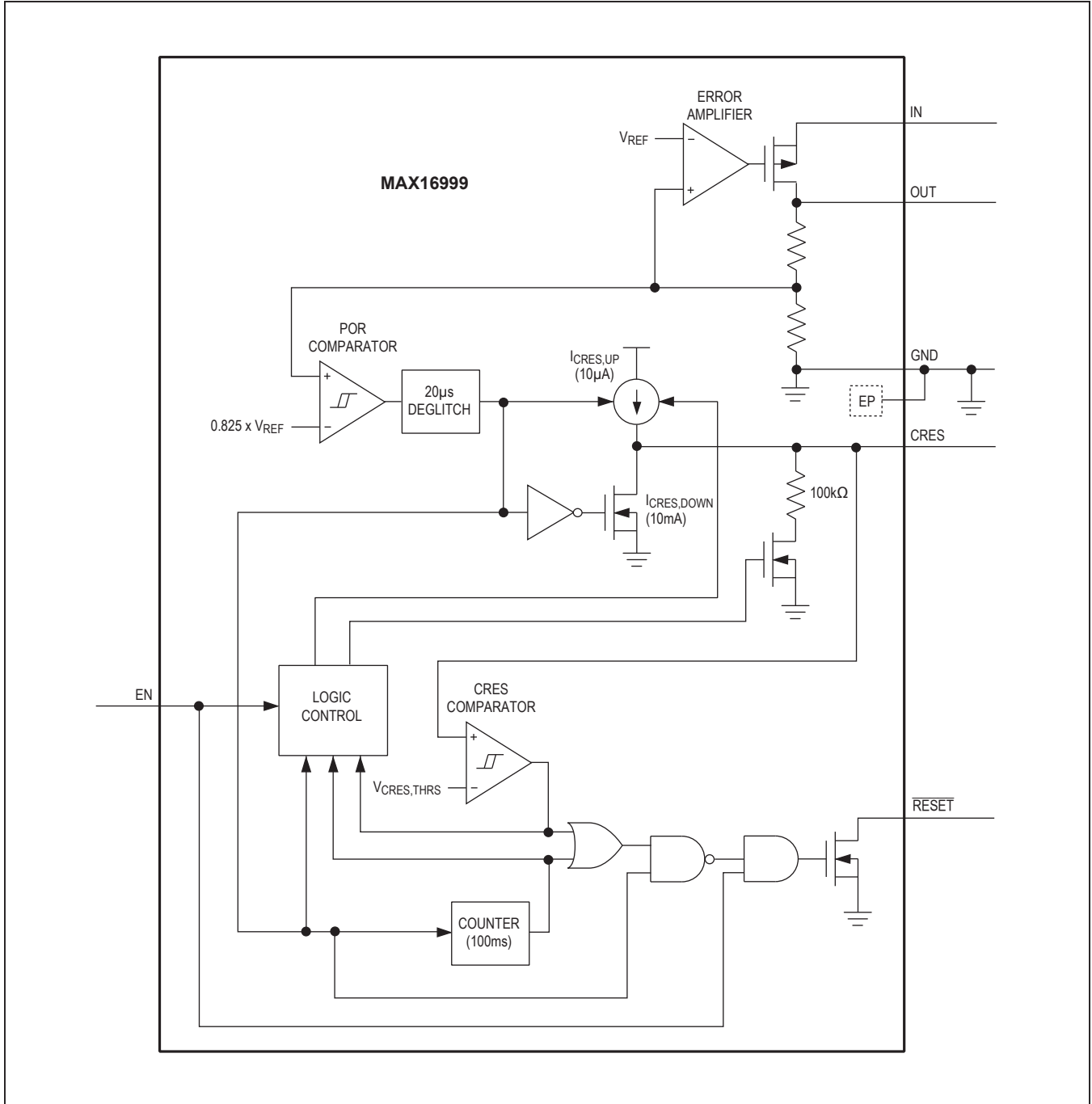


Figure 1. Block Diagram

Detailed Description

The MAX16999 is a low-quiescent-current linear regulator designed for applications requiring high reliability. This device can supply loads up to 100mA and is available in factory-preset output voltages from 0.5V to 3.3V (see the *Selector Guide*). As illustrated in Figure 1, the MAX16999 linear regulator consists of a reference, an error amplifier, a p-channel MOSFET pass transistor, and an internal feedback voltage-divider. A power-on reset section signals if the output voltage has come out of regulation. The reset signal timeout is defined by the charging time of an external capacitor attached to CRES.

To increase system reliability, the MAX16999 features a POR reset timeout along with overcurrent and overtemperature protection. A power-on reset timeout guarantees startup even with a faulty timing capacitor. Parameters are guaranteed up to +125°C junction temperature. The EN signal is latched in its last state even if the signal line becomes disconnected.

Logic-Controlled Enable

The MAX16999 provides a logic-enable input (EN). For normal operation drive EN to logic-high. When EN is driven high, the linear regulator starts to regulate by increasing the output voltage up to the preset value. To disable the device, drive EN low to set OUT to high impedance—this enables a pulldown current from CRES to discharge the capacitor. Once the device is disabled, the input supply current reduces to less than 0.3µA. The EN input is latched into its last state by a 120kΩ internal resistor. To change state, the latch needs to be overridden. When EN is low, the $\overline{\text{RESET}}$ output is high impedance.

POR Timer

Once the output voltage rises above the threshold V_{RES} , two internal timers are simultaneously activated. The reset timer is realized by means of a pullup current $I_{\text{CRES,UP}}$ that charges the capacitor connected to CRES. As soon as the voltage on C_{RES} rises above the threshold of 600mV (typ), $\overline{\text{RESET}}$ goes high impedance.

The internal reset timer is set by the value of the external capacitance (C_{CRES}). Calculate the reset time using the following formula:

$$t_{\text{POR_DELAY}} = C_{\text{CRES}} \times 60 \times 10^3 \frac{\text{V}}{\text{A}}$$

where C_{CRES} is in Farads and the delay to GND is given in seconds.

The second timer is an internal fault timer and ensures the regulator does not stay off indefinitely because of a fault on CRES such as a short. The fault timer runs for a maximum of 100ms. A logic block monitors both internal timers to determine the shortest timeout. If the first timeout is the fault timer, the pullup current is switched off in order to avoid unnecessary current consumption and a resistive pulldown is also activated. If $t_{\text{POR_DELAY}}$ exceeds 100ms (typ) the fault timer defines the timeout behavior.

Current Limit

Once the output voltage reaches regulation, the output current is limited to 150mA (typ). If the output current exceeds the current limit, the output voltage begins to decrease.

Thermal-Overload Protection

Thermal-overload protection limits total power dissipation in the MAX16999. When the junction temperature exceeds +165°C, a thermal sensor turns off the pass transistor, allowing the IC to cool. The thermal sensor turns the pass transistor on again after the junction temperature cools by 15°C, resulting in a pulsed output during continuous thermal-overload conditions. Thermal-overload protection safeguards the MAX16999 in the event of fault conditions. For continuous operation, do not exceed the absolute maximum junction temperature rating of +150°C. Table 1 lists maximum DC output currents (milliamps) that are allowed for operation at $T_A = +125^\circ\text{C}$ without causing thermal shutdown of the MAX16999.

Table 1. Output Currents at $T_A = +125^\circ\text{C}$

V_{OUT} (V)	SINGLE-LAYER BOARD		MULTILAYER BOARD
	$V_{IN} = 3.3\text{V}$ (mA)	$V_{IN} = 5\text{V}$ (mA)	$V_{IN} = 5\text{V}$ (mA)
0.5	92	57	72
0.6	95	59	73
0.7	99	60	75
0.8	100	61	77
0.9	100	63	79
1.0	100	64	81
1.1	100	66	83
1.2	100	68	85
1.5	100	74	92
1.8	100	81	100
2.5	100	100	100
3.3	100	100	100

Undervoltage Lockout (UVLO)

Before the MAX16999 can operate, the input voltage must exceed the UVLO threshold of 2.2V (max) with a 30mV hysteresis. If the input voltage is below the UVLO threshold, OUT becomes high impedance and EN is ignored regardless if it is driven high or low.

Applications Information

Capacitor Selection

Capacitors are required at the MAX16999 input and output for stable operation over the full temperature range and with load currents up to 100mA. Connect a 1µF ceramic capacitor between IN and GND and a 4.7µF ceramic capacitor between OUT and GND. The input capacitor (C_{IN}) lowers the source impedance of the input supply. Use larger output capacitors to reduce noise and improve stability and power-supply rejection. The output capacitor's equivalent series resistance (ESR) affects stability and output noise. Use output capacitors with an ESR of 30mΩ or less to ensure stability and optimize transient response. Surface-mount ceramic capacitors have very low ESR and are commonly available in values up to 10µF. Connect C_{IN} and C_{OUT} as close to the MAX16999 as possible to minimize the impact of the PCB trace inductance.

Using MAX16999 in Parallel with Another Supply

The MAX16999 can be used in parallel with another supply of equal voltage (see Figure 2). The circuit shows a typical low-power solution for a µC.

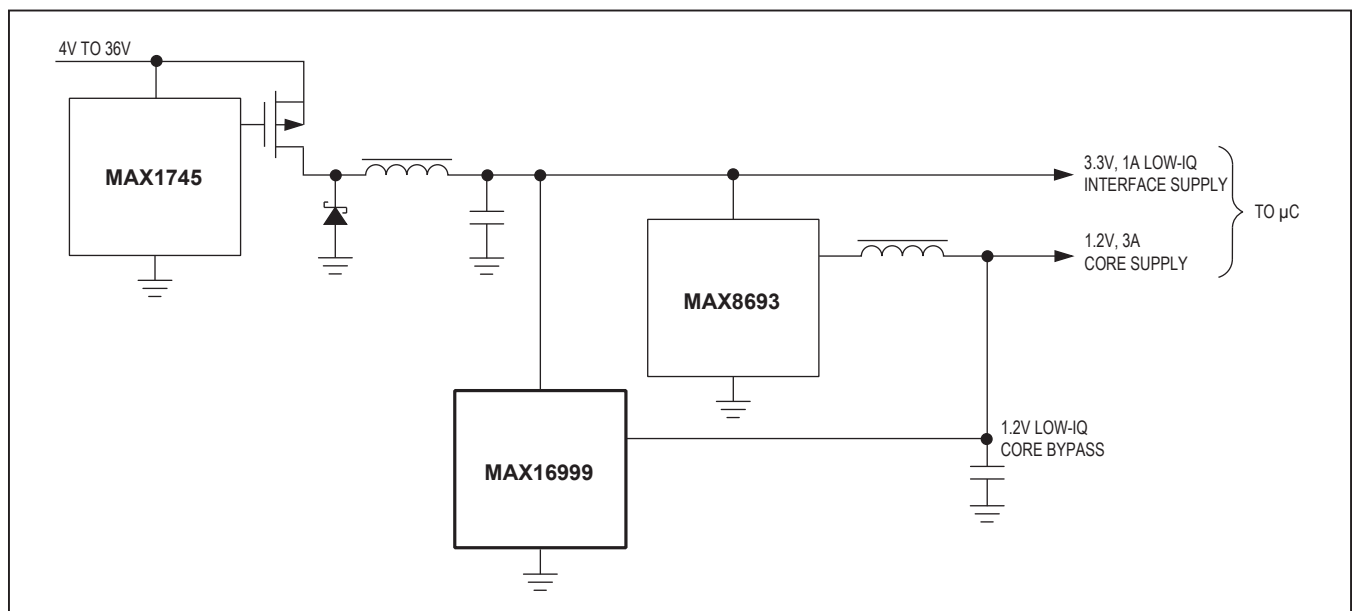


Figure 2. Low-Quiescent µC Supply Solution

Selector Guide

SUFFIX	V _{OUT} (V)	TOP MARK
05	0.5	+AABE
06	0.6	+AABV
07	0.7	+AABW
08	0.8	+AABX
09	0.9	+AABQ
10*	1.0	+AABF
11	1.1	+AABY
12	1.2	+AABR
13	1.3	+AABZ
15	1.5	+AABS
18	1.8	+AABT
25	2.5	+AABU
33*	3.3	+AABG

Note: Bold indicates a standard value. For other values, contact factory for availability. Nonstandard options require a 5k minimum quantity order.

Chip Information

PROCESS: BiCMOS

Package Information

For the latest package outline information and land patterns (footprints), go to www.maximintegrated.com/packages. Note that a "+", "#", or "-" in the package code indicates RoHS status only. Package drawings may show a different suffix character, but the drawing pertains to the package regardless of RoHS status.

PACKAGE TYPE	PACKAGE CODE	OUTLINE NO.	LAND PATTERN NO.
8 μ MAX-EP	U8E+2	21-0107	90-0145

Revision History

REVISION NUMBER	REVISION DATE	DESCRIPTION	PAGES CHANGED
0	4/08	Initial release	—
1	12/14	Removed reference to AEC-100 qualification in the <i>Features</i> section; removed reference to automotive applications in the <i>Detailed Description</i> section	1, 8
2	2/15	Updated Top Marks in the <i>Selector Guide</i>	10

For pricing, delivery, and ordering information, please contact Maxim Direct at 1-888-629-4642, or visit Maxim Integrated's website at www.maximintegrated.com.

Maxim Integrated cannot assume responsibility for use of any circuitry other than circuitry entirely embodied in a Maxim Integrated product. No circuit patent licenses are implied. Maxim Integrated reserves the right to change the circuitry and specifications without notice at any time. The parametric values (min and max limits) shown in the Electrical Characteristics table are guaranteed. Other parametric values quoted in this data sheet are provided for guidance.

Looking for pricing, stock, or lifecycle information?

Click below to explore more details on WIN SOURCE:

- ⊖ [View MAX16999AUA10+T on WIN SOURCE](#)
- ⊖ [Maxim Integrated Information](#)

Optimize Your Supply Chain with WIN SOURCE Solutions

- ✓ Global Sourcing Solution
- ✓ Obsolete Management
- ✓ Cost Control Management
- ✓ Shortage Management
- ✓ Alternative Solution
- ✓ Excess Inventory Management