



# THE DATASHEET OF MAX392ESE+T



## Precision, Quad, SPST Analog Switches

### General Description

The MAX391/MAX392/MAX393 are precision, quad, single-pole/single-throw (SPST) analog switches designed to operate at +3V, +5V, or ±5V. The MAX391 has four normally closed (NC) switches, and the MAX392 has four normally open (NO) switches. The MAX393 has two NO and two NC switches. All three devices offer low leakage (100pA max) and fast switching speeds ( $t_{ON} \leq 130\text{ns}$ ,  $t_{OFF} \leq 75\text{ns}$ ). Power consumption is just 1 $\mu\text{W}$ —ideal for battery-operated equipment. All devices operate from a single +3V to +15V supply or from dual ±3.0V to ±8V supplies.

With ±5V supplies, the MAX391/MAX392/MAX393 offer guaranteed 2 $\Omega$  max channel-to-channel matching, 30 $\Omega$  max on-resistance ( $R_{ON}$ ), and 4 $\Omega$  max  $R_{ON}$  flatness over the specified range.

These switches are also fully specified for single +5V operation, with 2 $\Omega$  max  $R_{ON}$  match, 60 $\Omega$  max  $R_{ON}$ , and 6 $\Omega$  max flatness.

These low-voltage switches also offer 5pC max charge injection, and ESD protection is greater than 2000V, per method 3015.7.

### Applications

Battery-Operated Systems	Sample-and-Hold Circuits
Heads-Up Displays	Guidance and Control Systems
Audio and Video Switching	Military Radios
Test Equipment	Communications Systems
±5V DACs and ADCs	PBX, PABX

### Features

- ◆ Low On-Resistance, 20 $\Omega$  Typical
- ◆ Guaranteed On-Resistance Match Between Channels, < 2 $\Omega$
- ◆ Guaranteed On-Resistance Flatness Over Signal Range, 4 $\Omega$  Max
- ◆ Guaranteed Charge Injection, < 5pC
- ◆ Improved Leakage Over Temperature, < 2.5nA at +85°C
- ◆ Electrostatic Discharge > 2000V per Method 3015.7
- ◆ Single-Supply Operation (+3V to +15V)  
Bipolar-Supply Operation (±3V to ±8V)
- ◆ Low Power Consumption, < 1 $\mu\text{W}$
- ◆ TTL/CMOS-Logic Compatible

### Ordering Information

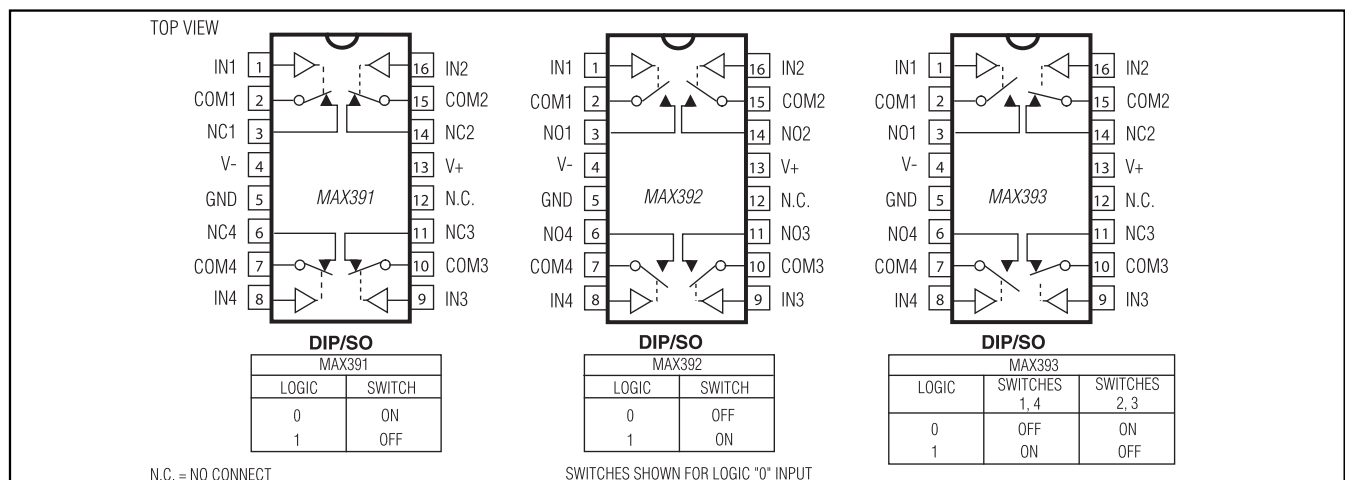
PART	TEMP RANGE	PIN-PACKAGE	PKG CODE
MAX391CPE	0°C to +70°C	16 Plastic DIP	P16-1
MAX391CSE	0°C to +70°C	16 Narrow SO	S16-2
MAX391CUE	0°C to +70°C	16 TSSOP	U16-2
MAX391CGE	0°C to +70°C	16 QFN-EP†	G1644-1
MAX391C/D	0°C to +70°C	Dice*	—
MAX391EPE	-40°C to +85°C	16 Plastic DIP	P16-1

Ordering Information continued on last page.

\*Contact factory for dice specifications.

†EP = Exposed pad.

### Pin Configurations/Functional Diagrams/Truth Tables



For pricing, delivery, and ordering information, please contact Maxim Direct at 1-888-629-4642, or visit Maxim's website at [www.maximintegrated.com](http://www.maximintegrated.com).

# MAX391/MAX392/MAX393

## Precision, Quad, SPST Analog Switches

### ABSOLUTE MAXIMUM RATINGS

Voltage Referenced to V-

V+	-0.3V to +17V
GND	-0.3V to +17V
GND	-0.3V to (V+ + 0.3V)
V <sub>IN</sub> , V <sub>COM</sub> , V <sub>NC</sub> , V <sub>NO</sub> (Note 1)	V- to V+
Current (any terminal)	30mA
Peak Current, COM, NO, NC (pulsed at 1ms, 10% duty cycle max)	100mA
ESD per Method 3015.7	> 2000V
Continuous Power Dissipation (T <sub>A</sub> = +70°C)	
Plastic DIP (derate 10.53mW/°C above +70°C)	842mW

Narrow SO (derate 8.70mW/°C above +70°C)	696mW
TSSOP (derate 6.7mW/°C above +70°C)	457mW
CERDIP (derate 10.00mW/°C above +70°C)	800mW
QFN (derate 18.5mW/°C above +70°C)	1481mW
Operating Temperature Ranges	
MAX39_C_	0°C to +70°C
MAX39_E_	-40°C to +85°C
MAX39_M_	-55°C to +125°C
Storage Temperature Range	-65°C to +150°C
Lead Temperature (soldering, 10s)	+300°C

**Note 1:** Signals on NC, NO, COM, or IN exceeding V+ or V- are clamped by internal diodes. Limit forward diode current to maximum current rating.

Stresses beyond those listed under "Absolute Maximum Ratings" may cause permanent damage to the device. These are stress ratings only, and functional operation of the device at these or any other conditions beyond those indicated in the operational sections of the specifications is not implied. Exposure to absolute maximum rating conditions for extended periods may affect device reliability.

### ELECTRICAL CHARACTERISTICS—Dual Supplies

(V+ = +5V ±10%, V- = -5V ±10%, GND = 0V, V<sub>INH</sub> = 2.4V, V<sub>INL</sub> = 0.8V, T<sub>A</sub> = T<sub>MIN</sub> to T<sub>MAX</sub>, unless otherwise noted.)

PARAMETER	SYMBOL	CONDITIONS	MIN	TYP (Note 2)	MAX	UNITS		
<b>ANALOG SWITCH</b>								
Analog Signal Range	V <sub>COM</sub> , V <sub>NO</sub> , V <sub>NC</sub>	(Note 3)	V-		V+	V		
On-Resistance	R <sub>ON</sub>	V+ = 4.5V, V- = -4.5V, I <sub>COM</sub> = -10mA, V <sub>NO</sub> or V <sub>NC</sub> = ±3.5V	T <sub>A</sub> = +25°C	C, E	20	35	Ω	
				M	20	30		
			T <sub>A</sub> = T <sub>MIN</sub> to T <sub>MAX</sub>		45			
On-Resistance Match Between Channels (Note 4)	ΔR <sub>ON</sub>	V+ = 5V, V- = -5V, I <sub>COM</sub> = -10mA, V <sub>NO</sub> or V <sub>NC</sub> = ±3V	T <sub>A</sub> = +25°C		0.3	2	Ω	
			T <sub>A</sub> = T <sub>MIN</sub> to T <sub>MAX</sub>		4			
On-Resistance Flatness (Note 5)	R <sub>FLAT(ON)</sub>	V+ = 5V, V- = -5V, I <sub>COM</sub> = -10mA, V <sub>NO</sub> or V <sub>NC</sub> = ±3V	T <sub>A</sub> = +25°C		1	4	Ω	
			T <sub>A</sub> = T <sub>MIN</sub> to T <sub>MAX</sub>		6			
NO or NC Off-Leakage Current (Note 6)	I <sub>NO(OFF)</sub> or I <sub>NC(OFF)</sub>	V+ = 5.5V, V- = -5.5V, V <sub>COM</sub> = ±4.5V, V <sub>NO</sub> or V <sub>NC</sub> = ±4.5V	T <sub>A</sub> = +25°C		-0.1	±0.01	+0.1	nA
			T <sub>A</sub> = T <sub>MIN</sub> to T <sub>MAX</sub>	C, E	-2.5	+2.5		
				M	-5	+5		
COM Off-Leakage Current (Note 6)	I <sub>COM(OFF)</sub>	V+ = 5.5V, V- = -5.5V, V <sub>COM</sub> = ±4.5V, V <sub>NO</sub> or V <sub>NC</sub> = ±4.5V	T <sub>A</sub> = +25°C		-0.1	±0.01	+0.1	nA
			T <sub>A</sub> = T <sub>MIN</sub> to T <sub>MAX</sub>	C, E	-2.5	+2.5		
				M	-5	+5		
COM On-Leakage Current (Note 6)	I <sub>COM(ON)</sub>	V+ = 5.5V, V- = -5.5V, V <sub>COM</sub> = ±4.5V, V <sub>NO</sub> or V <sub>NC</sub> = ±4.5V	T <sub>A</sub> = +25°C		-0.2	±0.01	+0.2	nA
			T <sub>A</sub> = T <sub>MIN</sub> to T <sub>MAX</sub>	C, E	-5.0	+5.0		
				M	-20	+20		

# MAX391/MAX392/MAX393

## Precision, Quad, SPST Analog Switches

### ELECTRICAL CHARACTERISTICS—Dual Supplies (continued)

(V+ = +5V ±10%, V- = -5V ±10%, GND = 0V, VINH = 2.4V, VINL = 0.8V, TA = TMIN to TMAX, unless otherwise noted.)

PARAMETER	SYMBOL	CONDITIONS		MIN	TYP (Note 2)	MAX	UNITS
<b>LOGIC INPUT</b>							
Input Current with Input-Voltage High	I <sub>INH</sub>	IN = 2.4V, all others = 0.8V		-0.5	±0.005	+0.5	μA
Input Current with Input-Voltage Low	I <sub>INL</sub>	IN = 0.8V, all others = 2.4V		-0.5	±0.005	+0.5	μA
<b>DYNAMIC</b>							
Turn-On Time	t <sub>ON</sub>	V <sub>COM_</sub> = ±3V, Figure 2	TA = +25°C	65	130		ns
			TA = T <sub>MIN</sub> to T <sub>MAX</sub>		175		
Turn-Off Time	t <sub>OFF</sub>	V <sub>COM_</sub> = ±3V, Figure 2	TA = +25°C	35	75		ns
			TA = T <sub>MIN</sub> to T <sub>MAX</sub>		100		
Break-Before-Make Time Delay (Note 3)	t <sub>D</sub>	MAX393 only, RL = 300Ω, CL = 35pF, Figure 3		5	10		ns
Charge Injection (Note 3)	Q	CL = 1.0nF, VGEN = 0V, RGEN = 0Ω, Figure 4	TA = +25°C		2	5	pC
Off-Isolation (Note 7)	OIRR	RL = 50Ω, CL = 5pF, f = 1MHz, Figure 5	TA = +25°C		72		dB
Crosstalk (Note 8)		RL = 50Ω, CL = 5pF, f = 1MHz, Figure 6	TA = +25°C		85		dB
NC or NO Capacitance	C <sub>(OFF)</sub>	f = 1MHz, Figure 7	TA = +25°C		9		pF
COM Off-Capacitance	C <sub>COM(OFF)</sub>	f = 1MHz, Figure 7	TA = +25°C		9		pF
COM On-Capacitance	C <sub>COM(ON)</sub>	f = 1MHz, Figure 8	TA = +25°C		22		pF
<b>SUPPLY</b>							
Power-Supply Range				-8.0		+8.0	V
Positive Supply Current	I+	V+ = 5.5V, V- = -5.5V, VIN = 0V or V+, all channels on or off	TA = T <sub>MIN</sub> to T <sub>MAX</sub>	-1		+1	μA
Negative Supply Current	I-	V+ = 5.5V, V- = -5.5V, VIN = 0V or V+, all channels on or off	TA = T <sub>MIN</sub> to T <sub>MAX</sub>	-1		+1	μA

# MAX391/MAX392/MAX393

## Precision, Quad, SPST Analog Switches

### ELECTRICAL CHARACTERISTICS—Single +5V Supply

(V+ = +5V ±10%, V- = 0V ±10%, GND = 0V, VINH = 2.4V, VINL = 0.8V, TA = TMIN to TMAX, unless otherwise noted.)

PARAMETER	SYMBOL	CONDITIONS		MIN	TYP (Note 2)	MAX	UNITS	
<b>ANALOG SWITCH</b>								
Analog Signal Range	VCOM_, VNO_, VNC_	(Note 3)		0		V+	V	
On-Resistance	RON	V+ = 4.5V, ICOM_ = -10mA, VNO_ or VNC_ = 3.5V	TA = +25°C	30		60	Ω	
			TA = TMIN to TMAX			75		
On-Resistance Match Between Channels (Note 4)	ΔRON	V+ = 5V, ICOM_ = -1.0mA, VNO_ or VNC_ = 3V	TA = +25°C	0.8		2	Ω	
			TA = TMIN to TMAX			4		
On-Resistance Flatness (Notes 3, 5)	RFLAT(ON)	V+ = 5V, ICOM_ = -1.0mA, VNO_ or VNC_ = 1V, 3V	TA = +25°C	2		6	Ω	
			TA = TMIN to TMAX			8		
NO or NC Off-Leakage Current (Note 9)	INO(OFF) or INC(OFF)	V+ = 5.5V, VCOM_ = 0V, VNO_ or VNC_ = 4.5V	TA = +25°C	-0.25	±0.01	+0.25	nA	
			TA = TMIN to TMAX	C, E	-0.1			+0.1
				M	-2.5			+2.5
COM Off-Leakage Current (Note 9)	ICOM(OFF)	V+ = 5.5V, VCOM_ = 0V, VNO_ or VNC_ = 4.5V	TA = +25°C	-0.1		+0.1	nA	
			TA = TMIN to TMAX	C, E	-2.5			+2.5
				M	-5.0			+5.0
COM On-Leakage Current (Note 9)	ICOM(ON)	V+ = 5.5V, VCOM_ = 5V, VNO_ or VNC_ = 4.5V	TA = +25°C	-0.2		+0.2	nA	
			TA = TMIN to TMAX	C, E	-5.0			+5.0
				M	-20			+20
<b>DYNAMIC</b>								
Turn-On Time	tON	VNO_ or VNC_ = 3V	TA = +25°C	85		170	ns	
			TA = TMIN to TMAX			240		
Turn-Off Time	tOFF	VNO_ or VNC_ = 3V	TA = +25°C	25		50	ns	
			TA = TMIN to TMAX			100		
Break-Before-Make Time Delay (Note 3)	tD	MAX393 only, RL = 300Ω, CL = 35pF		10			ns	
Charge Injection (Note 3)	Q	CL = 1.0nF, VGEN = 0V, RGEN = 0V, Figure 4	TA = +25°C	1		5	pC	
<b>SUPPLY</b>								
Positive Supply Current	I+	V+ = 5.5V, VIN = 0V or V+, all channels on or off		-1		+1	μA	
Negative Supply Current	I-	V+ = 5.5V, VIN = 0V or V+, all channels on or off		-1		+1	μA	

# MAX391/MAX392/MAX393

## Precision, Quad, SPST Analog Switches

### ELECTRICAL CHARACTERISTICS—Single +3.3V Supply

(V+ = +3.0V to +3.6V, GND = 0V, V<sub>INH</sub> = 2.4V, V<sub>INL</sub> = 0.8V, T<sub>A</sub> = T<sub>MIN</sub> to T<sub>MAX</sub>, unless otherwise noted.)

PARAMETER	SYMBOL	CONDITIONS		MIN	TYP (Note 2)	MAX	UNITS
<b>ANALOG SWITCH</b>							
Analog Signal Range	V <sub>COM_</sub> , V <sub>NO_</sub> , V <sub>NC_</sub>	(Note 3)		0		V+	V
Channel On-Resistance	R <sub>ON</sub>	V+ = 3V, I <sub>COM_</sub> = -1.0mA, V <sub>NO_</sub> or V <sub>NC_</sub> = 1.5V	T <sub>A</sub> = +25°C	83	175		Ω
			T <sub>A</sub> = T <sub>MIN</sub> to T <sub>MAX</sub>		275		
<b>DYNAMIC</b>							
Turn-On Time (Note 3)	t <sub>ON</sub>	V <sub>NO_</sub> or V <sub>NC_</sub> = 1.5V	T <sub>A</sub> = +25°C	160	400		ns
			T <sub>A</sub> = T <sub>MIN</sub> to T <sub>MAX</sub>		500		
Turn-Off Time (Note 3)	t <sub>OFF</sub>	V <sub>NO_</sub> or V <sub>NC_</sub> = 1.5V	T <sub>A</sub> = +25°C	40	125		ns
			T <sub>A</sub> = T <sub>MIN</sub> to T <sub>MAX</sub>		175		
Break-Before-Make Time Delay (Note 3)	t <sub>D</sub>	MAX393 only, R <sub>L</sub> = 300Ω, C <sub>L</sub> = 35pF	T <sub>A</sub> = +25°C	20			ns
Charge Injection (Note 3)	Q	C <sub>L</sub> = 1.0nF, V <sub>GEN</sub> = 0V, R <sub>GEN</sub> = 0V	T <sub>A</sub> = +25°C		1	5	pC
<b>SUPPLY</b>							
Positive Supply Current	I+	V+ = 3.6V, V <sub>IN</sub> = 0V or V+, all channels on or off		-1		+1	μA
Negative Supply Current	I-	V+ = 3.6V, V <sub>IN</sub> = 0V or V+, all channels on or off		-1		+1	μA

**Note 2:** The algebraic convention, where the most negative value is a minimum and the most positive value a maximum, is used in this data sheet.

**Note 3:** Guaranteed by design.

**Note 4:**  $\Delta R_{ON} = \Delta R_{ON\ max} - \Delta R_{ON\ min}$ .

**Note 5:** Flatness is defined as the difference between the maximum and minimum value of on-resistance as measured over the specified analog signal range.

**Note 6:** Leakage parameters are 100% tested at maximum rated hot temperature and guaranteed by correlation at +25°C.

**Note 7:** Off-isolation = 20 log<sub>10</sub> [ V<sub>COM\_</sub> / (V<sub>NC\_</sub> or V<sub>NO\_</sub>) ], V<sub>COM\_</sub> = output, V<sub>NC\_</sub> or V<sub>NO\_</sub> = input to off switch.

**Note 8:** Between any two switches.

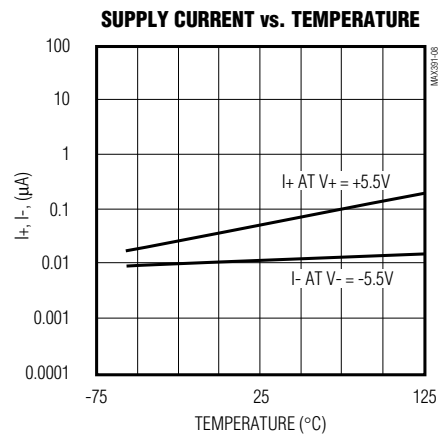
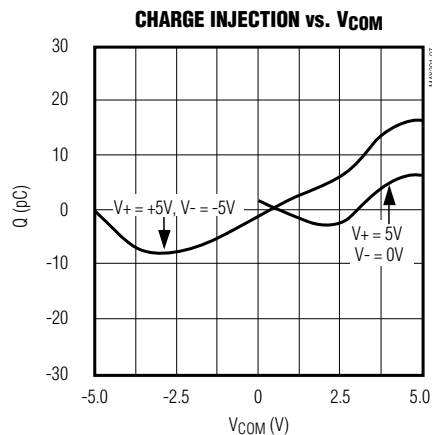
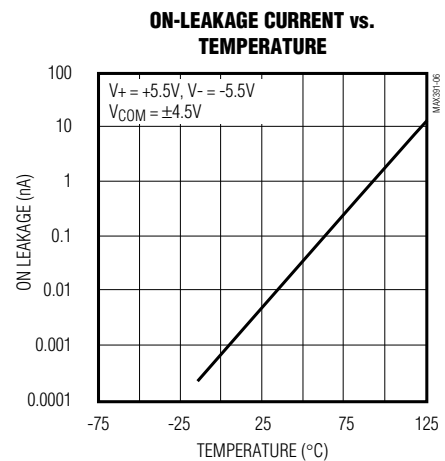
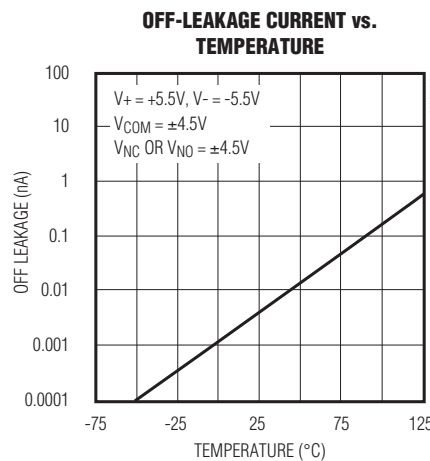
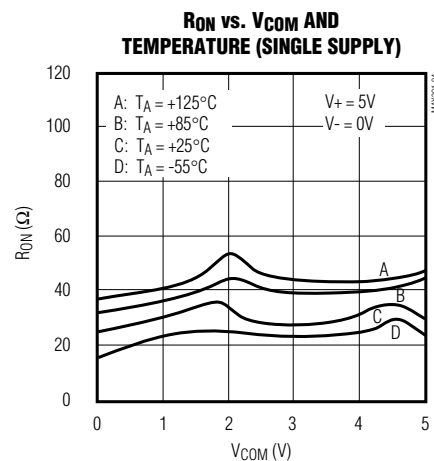
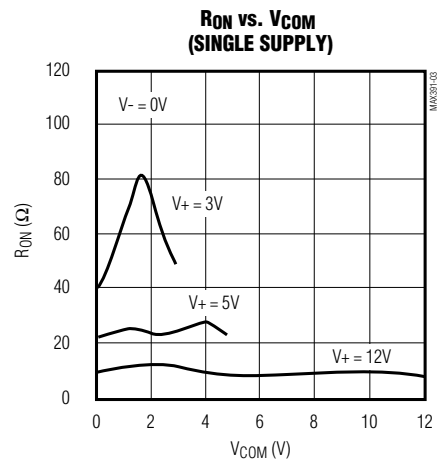
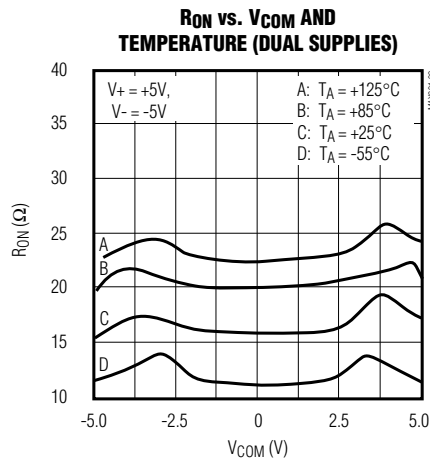
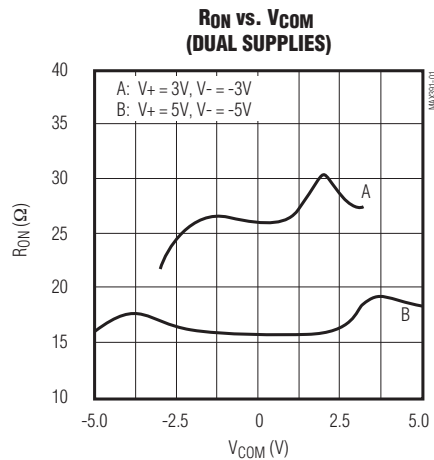
**Note 9:** Leakage testing at single supply is guaranteed by testing with dual singles.

# MAX391/MAX392/MAX393

## Precision, Quad, SPST Analog Switches

### Typical Operating Characteristics

( $T_A = +25^\circ\text{C}$ , unless otherwise noted.)



# MAX391/MAX392/MAX393

## Precision, Quad, SPST Analog Switches

### Pin Description

PIN		NAME	FUNCTION
DIP/SO/TSSOP	QFN		
1, 16, 9, 8	15, 14, 7, 6	IN1–IN4	Inputs
2, 15, 10, 7	16, 13, 8, 5	COM1–COM4	Analog Switch Common Terminal
3, 14, 11, 6	1, 12, 9, 4	NO1–NO4 or NC1–NC4	Switch Inputs
4	2	V-	Negative-Supply Voltage Input
5	3	GND	Ground
12	10	N.C.	No Connection. Not internally connected
13	11	V+	Positive-Supply Voltage Input—connected to substrate
—	EP	EP	Exposed Pad. Connect to V+.

### Applications Information

#### Overvoltage Protection

Proper power-supply sequencing is recommended for all CMOS devices. Do not exceed the absolute maximum ratings, because stresses beyond the listed ratings may cause permanent damage to the devices. Always sequence V+ on first, followed by V-, and then logic inputs. If power-supply sequencing is not possible, add two small signal diodes in series with supply pins for overvoltage protection (Figure 1). Adding diodes reduces the analog signal range to 1V below V+ and 1V below V-, but low switch resistance and low leakage characteristics are unaffected. Device operation is unchanged, and the difference between V+ and V- should not exceed 17V.

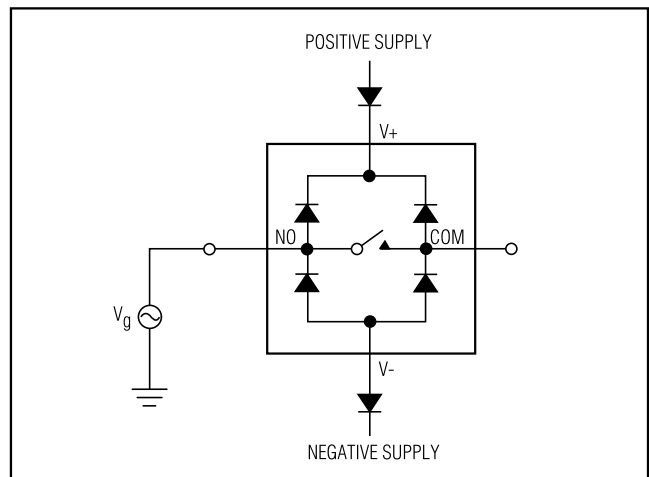


Figure 1. Overvoltage Protection Using Two External Blocking Diodes

# MAX391/MAX392/MAX393

## Precision, Quad, SPST Analog Switches

### Test Circuits/Timing Diagrams

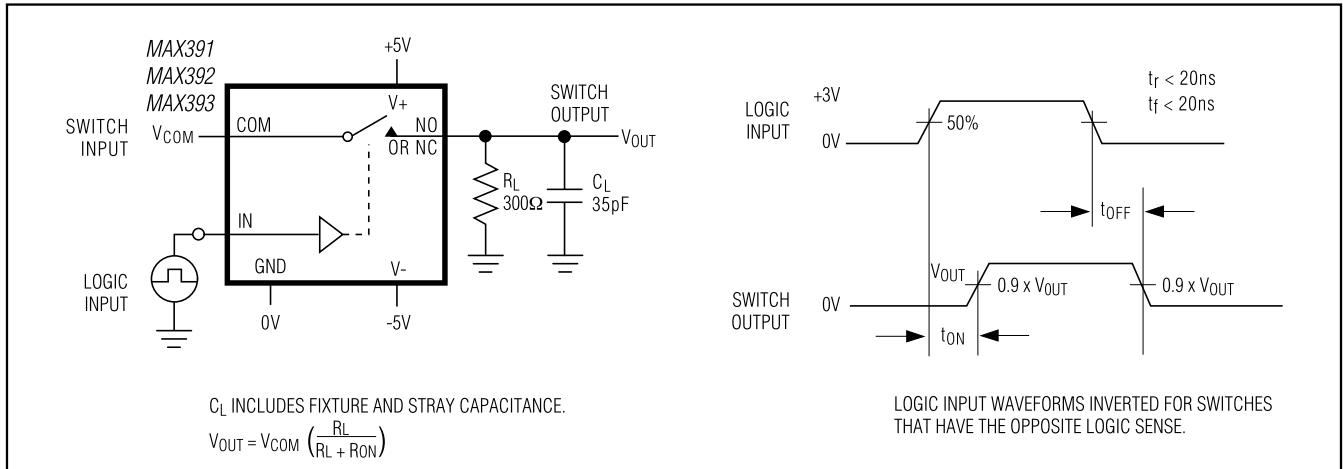


Figure 2. Switching Time

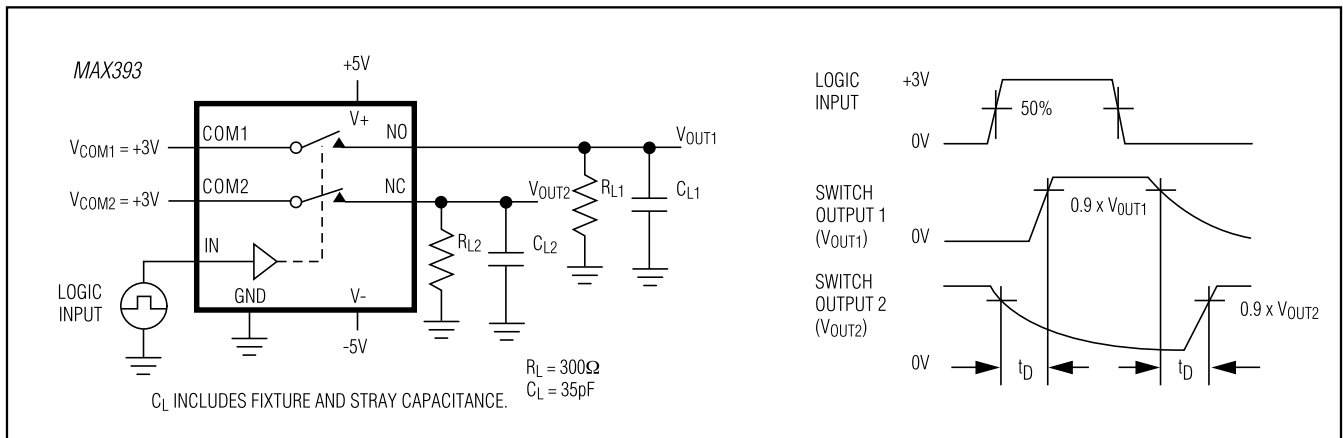


Figure 3. Break-Before-Make Interval (MAX393 only)

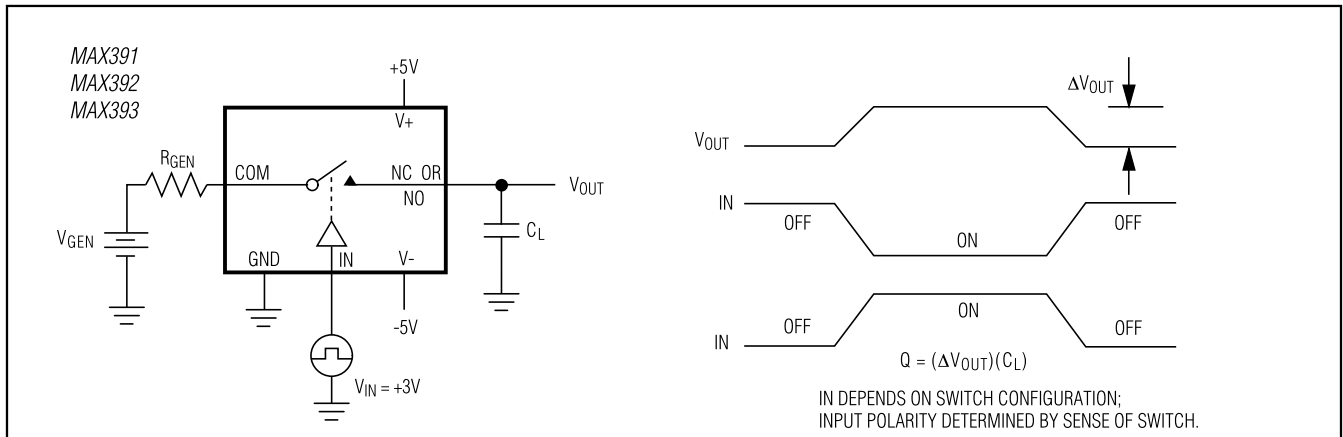


Figure 4. Charge Injection

# MAX391/MAX392/MAX393

## Precision, Quad, SPST Analog Switches

### Test Circuits/Timing Diagrams (continued)

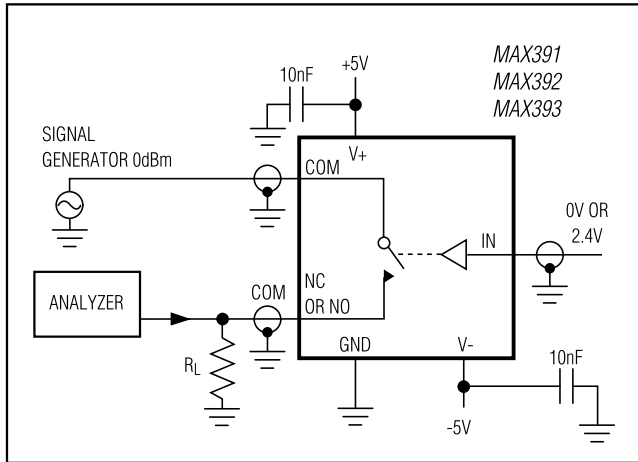


Figure 5. Off-Isolation

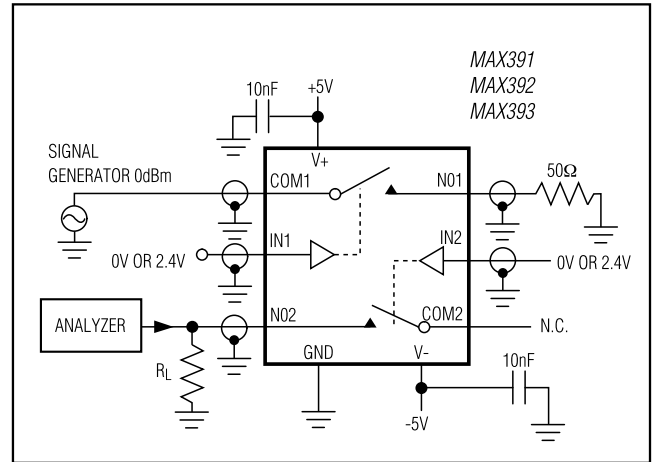


Figure 6. Crosstalk

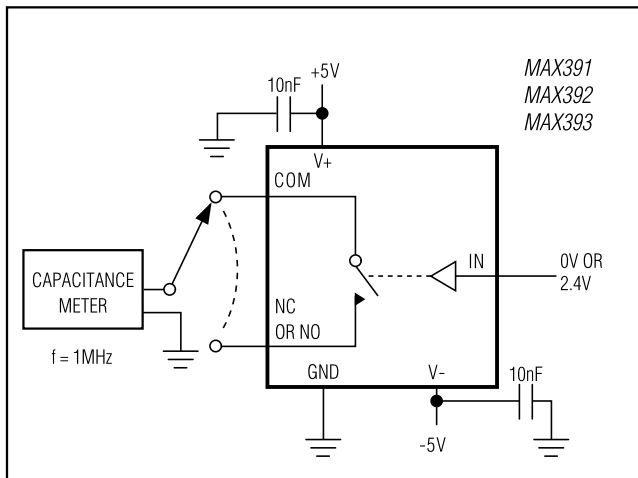


Figure 7. Channel Off-Capacitance

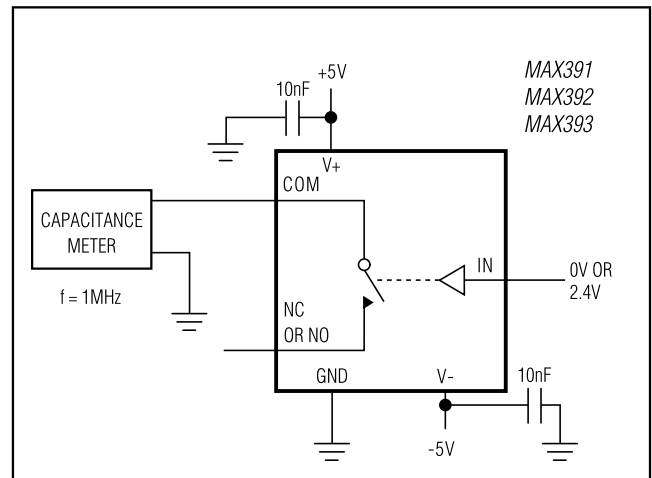


Figure 8. Channel On-Capacitance

# MAX391/MAX392/MAX393

## Precision, Quad, SPST Analog Switches

### Ordering Information (continued)

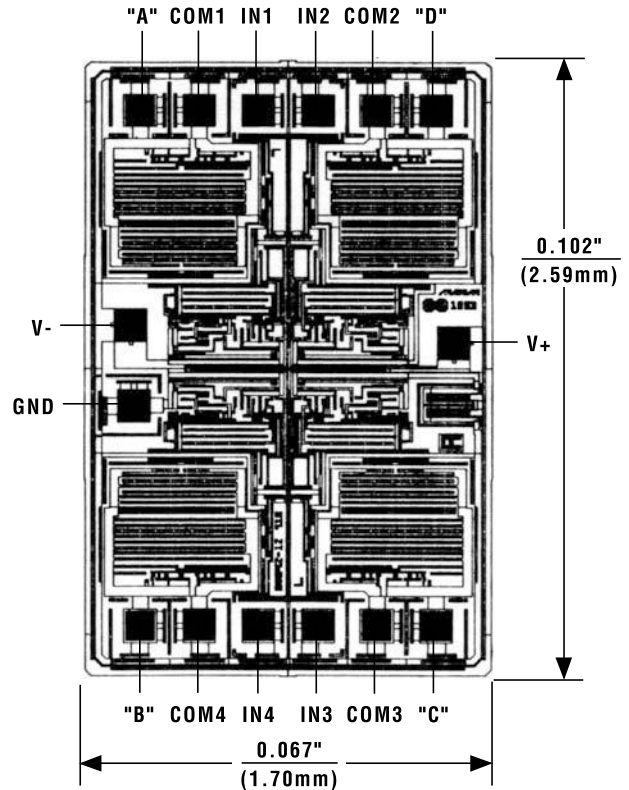
PART	TEMP RANGE	PIN-PACKAGE	PKG CODE
MAX391ESE	-40°C to +85°C	16 Narrow SO	S16-2
MAX391EUE	-40°C to +85°C	16 TSSOP	U16-2
MAX391EGE	-40°C to +85°C	16 QFN-EP†	G1655-3
MAX391EJE	-40°C to +85°C	16 CERDIP	J16-3
MAX391MJE	-55°C to +125°C	6 CERDIP**	—
<b>MAX392CPE</b>	0°C to +70°C	16 Plastic DIP	P16-1
MAX392CSE	0°C to +70°C	16 Narrow SO	S16-2
MAX392CUE	0°C to +70°C	16 TSSOP	U16-2
MAX392CGE	0°C to +70°C	16 QFN-EP†	G1655-3
MAX392C/D	0°C to +70°C	Dice*	—
MAX392EPE	-40°C to +85°C	16 Plastic DIP	P16-1
MAX392ESE	-40°C to +85°C	16 Narrow SO	S16-2
MAX392EUE	-40°C to +85°C	16 TSSOP	U16-2
MAX392EGE	-40°C to +85°C	16 QFN	G1655-3
MAX392EJE	-40°C to +85°C	16 CERDIP	J16-3
MAX392MJE	-55°C to +125°C	6 CERDIP**	—
<b>MAX393CPE</b>	0°C to +70°C	16 Plastic DIP	P16-1
MAX393CSE	0°C to +70°C	16 Narrow SO	S16-2
MAX393CUE	0°C to +70°C	16 TSSOP	U16-2
MAX393CGE	0°C to +70°C	16 QFN-EP†	G1655-3
MAX393C/D	0°C to +70°C	Dice*	—
MAX393EPE	-40°C to +85°C	16 Plastic DIP	P16-1
MAX393ESE	-40°C to +85°C	16 Narrow SO	S16-2
MAX393EUE	-40°C to +85°C	16 TSSOP	U16-2
MAX393EGE	-40°C to +85°C	16 QFN-EP†	G1655-3
MAX393EJE	-40°C to +85°C	16 CERDIP	J16-3
MAX393MJE	-55°C to +125°C	6 CERDIP**	—

\*Contact factory for dice specifications.

\*\*Contact factory for availability and processing to MIL-STD-883.

†EP = Exposed pad.

### Chip Topography



MAX391		MAX392		MAX393	
PIN	NAME	PIN	NAME	PIN	NAME
A	NC1	A	N01	A	N01
B	NC4	B	N04	B	N04
C	NC3	C	N03	C	NC3
D	NC2	D	N02	D	NC2

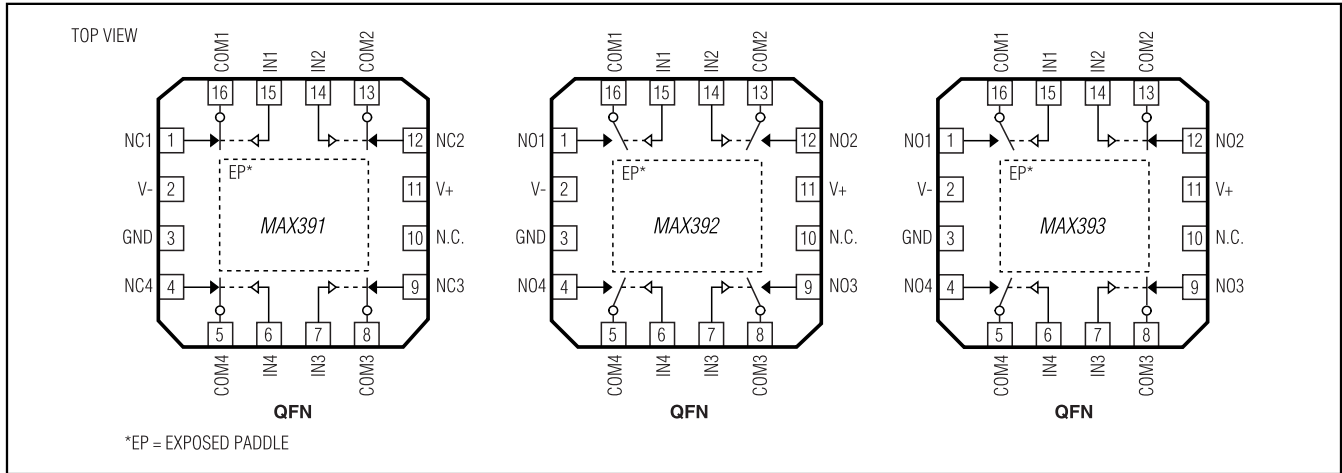
TRANSISTOR COUNT: 76

SUBSTRATE CONNECTED TO V+

# MAX391/MAX392/MAX393

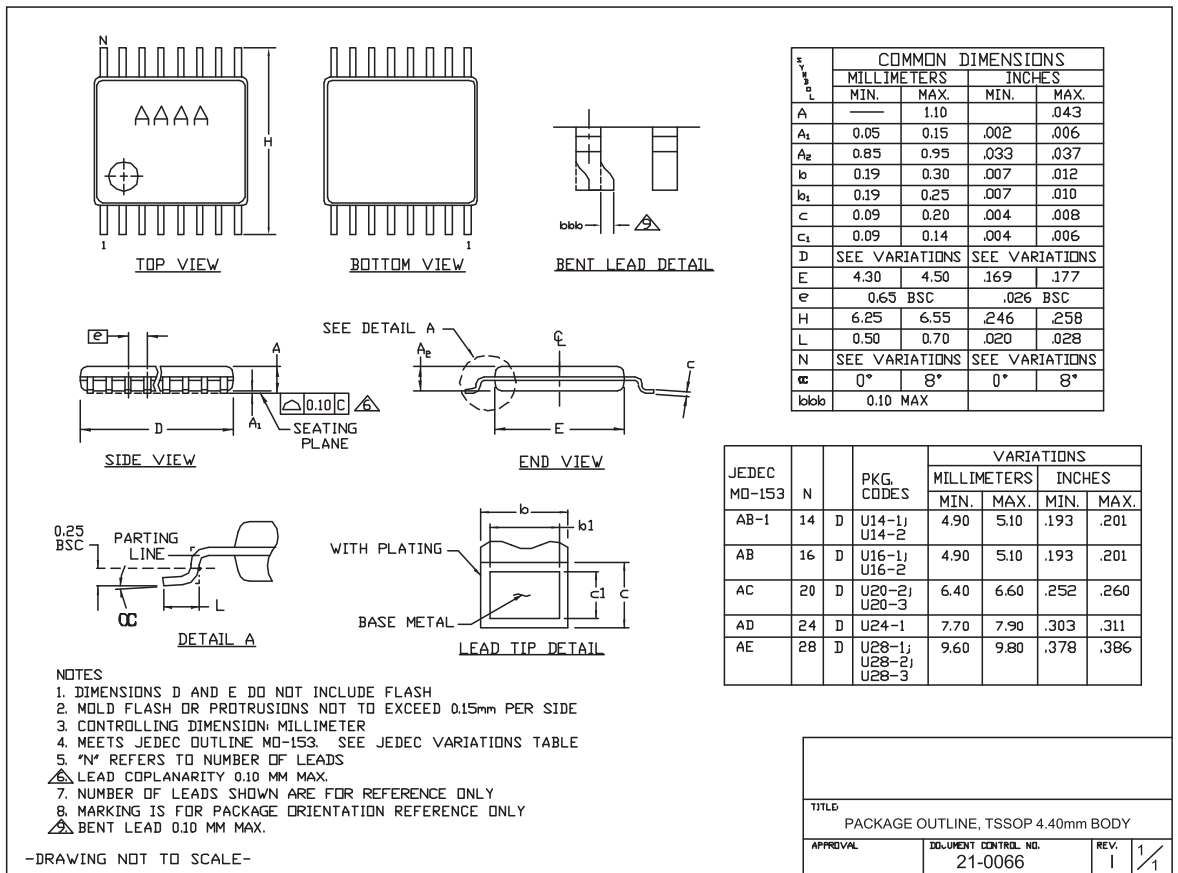
## Precision, Quad, SPST Analog Switches

### Pin Configurations/Functional Diagrams/Truth Tables (continued)



### Package Information

(The package drawing(s) in this data sheet may not reflect the most current specifications. For the latest package outline information go to [www.maxim-ic.com/packages](http://www.maxim-ic.com/packages).)

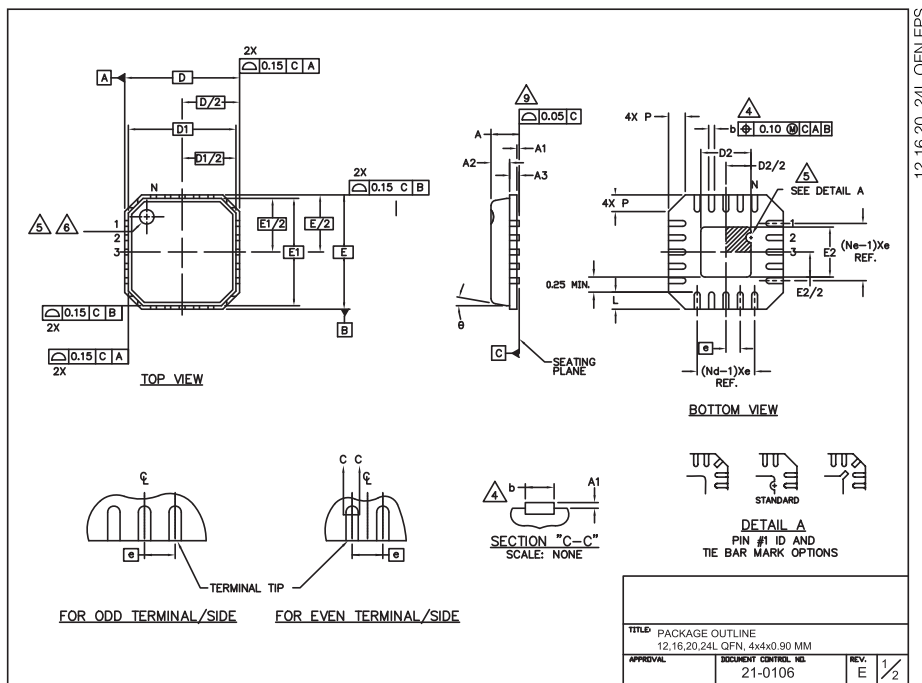


# MAX391/MAX392/MAX393

## Precision, Quad, SPST Analog Switches

### Package Information (continued)

(The package drawing(s) in this data sheet may not reflect the most current specifications. For the latest package outline information go to [www.maxim-ic.com/packages](http://www.maxim-ic.com/packages).)



12,16,20, 24L QFN/EPS

#### NOTES:

- DIE THICKNESS ALLOWABLE IS 0.305mm MAXIMUM (.012 INCHES MAXIMUM).
- DIMENSIONING & TOLERANCES CONFORM MUST TO ASME Y14.5M. - 1994.
- N IS THE NUMBER OF TERMINALS.  
Nd IS THE NUMBER OF TERMINALS IN X-DIRECTION &  
Ne IS THE NUMBER OF TERMINALS IN Y-DIRECTION.
- △** DIMENSION b APPLIES TO PLATED TERMINAL AND IS MEASURED BETWEEN 0.20 AND 0.25mm FROM TERMINAL TIP.
- △** THE PIN #1 IDENTIFIER MUST BE EXISTED ON THE TOP SURFACE OF THE PACKAGE BY USING INDENTATION MARK OR INK/LASER MARKED. DETAILS OF PIN #1 IDENTIFIER IS OPTIONAL, BUT MUST BE LOCATED WITHIN ZONE INDICATED.
- △** EXACT SHAPE AND SIZE OF THIS FEATURE IS OPTIONAL.
- ALL DIMENSIONS ARE IN MILLIMETERS.
- PACKAGE WARPAGE MAX 0.05mm.
- △** APPLIED FOR EXPOSED PAD AND TERMINALS. EXCLUDE EMBEDDING PART OF EXPOSED PAD FROM MEASURING.
- MEETS JEDEC MO220; EXCEPT DIMENSION "b".
- THIS PACKAGE OUTLINE APPLIES TO PUNCHED QFN (STEPPED SIDES).

	COMMON DIMENSIONS			No. of Terminals
	MIN.	NOM.	MAX.	
A	0.80	0.90	1.00	
A1	0.00	0.01	0.05	
A2	0.00	0.65	0.60	
A3		0.20 REF.		
D		4.00 BSC		
D1		3.75 BSC		
E		4.00 BSC		
E1		3.75 BSC		
b	0"		12"	
P	0.24	0.42	0.60	

	PITCH VARIATION A			No. of Terminals		PITCH VARIATION B			No. of Terminals		PITCH VARIATION C			No. of Terminals		PITCH VARIATION D			No. of Terminals
	MIN.	NOM.	MAX.			MIN.	NOM.	MAX.			MIN.	NOM.	MAX.			MIN.	NOM.	MAX.	
D	0.60 BSC			3	N	0.65 BSC			3	N	0.50 BSC			3	N	0.50 BSC			3
N	12			3	Nd	16			3	Nd	20			3	Nd	24			3
Nd	3			3	Ne	4			3	Ne	5			3	Ne	6			3
Ne	3			3	Ne	4			3	Ne	5			3	Ne	6			3
L	0.50	0.60	0.75	11	L	0.50	0.60	0.75	11	L	0.50	0.60	0.75	11	L	0.30	0.40	0.50	3
b	0.28	0.33	0.40	4	b	0.23	0.28	0.35	4	b	0.18	0.3	0.30	4	b	0.18	0.23	0.30	4

PKG. CODE	EXPOSED PAD VARIATION D2			EXPOSED PAD VARIATION E2		
	MIN.	NOM.	MAX.	MIN.	NOM.	MAX.
G1244-2	1.95	2.10	2.25	1.95	2.10	2.25
G1644-1	1.95	2.10	2.25	1.95	2.10	2.25
G2044-3	1.95	2.10	2.25	1.95	2.10	2.25
G2044-4	1.55	1.70	1.85	1.55	1.70	1.85
G2444-1	1.95	2.10	2.25	1.95	2.10	2.25

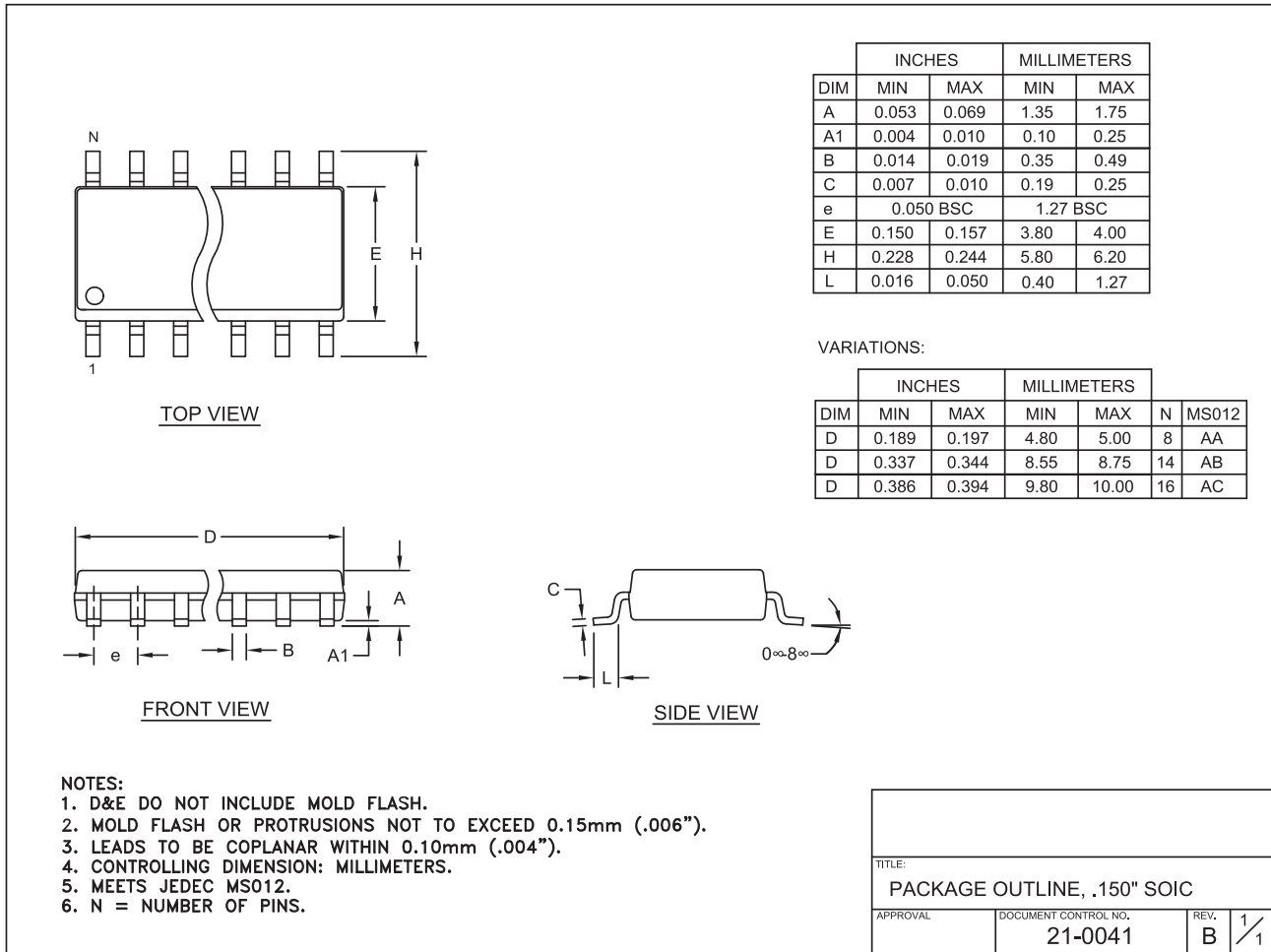
TITLE PACKAGE OUTLINE			
12,16,20,24L QFN, 4x4x0.90 MM			
APPROVAL	DOCUMENT CONTROL, NO.	REV.	
	21-0106	E	2/2

# MAX391/MAX392/MAX393

## Precision, Quad, SPST Analog Switches

### Package Information (continued)

(The package drawing(s) in this data sheet may not reflect the most current specifications. For the latest package outline information go to [www.maxim-ic.com/packages](http://www.maxim-ic.com/packages).)



### Revision History

Pages changed at Rev 3: 1-11, 13  
 Pages changed at Rev 3.1: 6



Maxim cannot assume responsibility for use of any circuitry other than circuitry entirely embodied in a Maxim product. No circuit patent licenses are implied. Maxim reserves the right to change the circuitry and specifications without notice at any time. The parametric values (min and max limits) shown in the Electrical Characteristics table are guaranteed. Other parametric values quoted in this data sheet are provided for guidance.

**Maxim Integrated 160 Rio Robles, San Jose, CA 95134 USA 1-408-601-1000**

13

## Looking for pricing, stock, or lifecycle information?

Click below to explore more details on WIN SOURCE:

 [View MAX392ESE+T on WIN SOURCE](#)

 [Maxim Integrated](#) Information

## Optimize Your Supply Chain with WIN SOURCE Solutions

-  Global Sourcing Solution
-  Obsolete Management
-  Cost Control Management
-  Shortage Management
-  Alternative Solution
-  Excess Inventory Management