



**THE DATASHEET OF  
MAX4676EUT+T**





# 3Ω Single SPST Analog Switches

MAX4675/MAX4676

## General Description

The MAX4675/MAX4676 single analog switches feature 3Ω (max) on-resistance (R<sub>ON</sub>) and 0.7Ω flatness when operating from dual ±5V supplies. These switches can handle Rail-to-Rail® analog signals. Off-leakage current is 0.1nA at T<sub>A</sub> = +25°C. The MAX4675/MAX4676 are ideal in low-distortion applications and are the preferred solution over mechanical relays in automated test equipment or applications where current switching is required. They are more reliable than mechanical relays, have low power requirements (<1μA), and are available in a space-saving 6-pin SOT23 package.

The MAX4675 has a single normally open (NO) switch, and the MAX4676 has a single normally closed (NC) switch.

The MAX4675/MAX4676 operate from either a single +2.7V to +5.5V or dual ±2.7V to ±5.5V supplies, making them ideal for use in digital card applications and single-ended 75Ω systems.

## Features

- ◆ 3Ω (max) R<sub>ON</sub>
- ◆ 0.7Ω (max) R<sub>ON</sub> Flatness
- ◆ Dual ±2.7V to ±5.5V or Single +2.7V to +5.5V Supply Range
- ◆ Off-Isolation
  - 75dB at 1MHz, Dual Supply
  - 65dB at 1MHz, Single Supply
- ◆ -3dB Bandwidth 250MHz
- ◆ Rail-to-Rail Signal Handling

## Applications

- Reed Relay Replacement
- Test Equipment
- Communications Systems
- PBX, PABX Systems
- Audio Signal Routing
- Avionics
- ADC Systems
- Data-Acquisition Systems

## Ordering Information

PART	TEMP. RANGE	PIN-PACKAGE	SOT MARK
MAX4675EUT-T	-40°C to +85°C	6 SOT23-6	AAND
MAX4676EUT-T	-40°C to +85°C	6 SOT23-6	AANE

## Pin Configurations/Functional Diagrams/Truth Tables

TOP VIEW

**SOT23**

MAX4675	
IN	SWITCH
0	OFF
1	ON

**SOT23**

MAX4676	
IN	SWITCH
0	ON
1	OFF

Rail-to-Rail is a registered trademark of Nippon Motorola, Ltd.



**For free samples and the latest literature, visit [www.maxim-ic.com](http://www.maxim-ic.com) or phone 1-800-998-8800. For small orders, phone 1-800-835-8769.**

# 3Ω Single SPST Analog Switches

## ABSOLUTE MAXIMUM RATINGS

V+ to GND .....	-0.3V to +6V
V- to GND .....	+0.3V to -6V
V+ to V- .....	12V
IN to GND .....	-0.3V to (V+ + 0.3V)
All Other Pins (Note 1) .....	(V- - 0.3V) to (V+ + 0.3V)
Continuous Current (NO, NC, COM) .....	±100mA
Peak Current (NO, NC, COM, pulsed at 1ms (10% duty cycle)) .....	±200mA

Continuous Power Dissipation (T <sub>A</sub> = +70°C) 6-Pin SOT23 (derate 8.7mW/°C above +70°C) .....	691mW
Operating Temperature Range .....	-40°C to +85°C
Junction Temperature .....	+150°C
Storage Temperature Range .....	-65°C to +150°C
Lead Temperature (soldering, 10s) .....	+300°C

Stresses beyond those listed under "Absolute Maximum Ratings" may cause permanent damage to the device. These are stress ratings only, and functional operation of the device at these or any other conditions beyond those indicated in the operational sections of the specifications is not implied. Exposure to absolute maximum rating conditions for extended periods may affect device reliability.

**Note 1:** Signals on NO, NC, COM, or IN exceeding V+ or V- will be clamped by internal diodes. Limit forward diode current to maximum current rating.

## ELECTRICAL CHARACTERISTICS—DUAL SUPPLIES

(V+ = +5V ±10%, V- = -5V ±10%, GND = 0, V<sub>IH</sub> = +2.4V, V<sub>IL</sub> = 0.8V, T<sub>A</sub> = T<sub>MIN</sub> to T<sub>MAX</sub>, unless otherwise noted. Typical values are at T<sub>A</sub> = +25°C.) (Notes 2, 3)

PARAMETER	SYMBOL	CONDITIONS	MIN	TYP	MAX	UNITS	
<b>ANALOG SWITCH</b>							
Input Voltage Range	V <sub>COM</sub> , V <sub>NO</sub> , V <sub>NC</sub>		V-		V+	V	
On-Resistance	R <sub>ON</sub>	V+ = 4.5V, V- = -4.5V, I <sub>COM</sub> = 50mA; V <sub>NO</sub> or V <sub>NC</sub> = ±3.3V	T <sub>A</sub> = +25°C	2.4	3	Ω	
			T <sub>A</sub> = T <sub>MIN</sub> to T <sub>MAX</sub>		4		
On-Resistance Flatness (Note 4)	R <sub>FLAT</sub>	V+ = 4.5V, V- = -4.5V, I <sub>COM</sub> = 50mA; V <sub>NO</sub> or V <sub>NC</sub> = ±3.3V, 0	T <sub>A</sub> = +25°C	0.4	0.7	Ω	
			T <sub>A</sub> = T <sub>MIN</sub> to T <sub>MAX</sub>		1.0		
NC or NO Off-Leakage Current	I <sub>N(OFF)</sub>	V+ = 5.5V, V- = -5.5V, V <sub>COM</sub> = 4.5V; V <sub>NO</sub> or V <sub>NC</sub> = ±4.5V	T <sub>A</sub> = +25°C	-1	0.1	1	nA
			T <sub>A</sub> = T <sub>MIN</sub> to T <sub>MAX</sub>	-10		10	
COM Off-Leakage Current	I <sub>COM(OFF)</sub>	V+ = 5.5V, V- = -5.5V, V <sub>COM</sub> = +4.5V; V <sub>NO</sub> or V <sub>NC</sub> = ±4.5V	T <sub>A</sub> = +25°C	-1	0.1	1	nA
			T <sub>A</sub> = T <sub>MIN</sub> to T <sub>MAX</sub>	-10		10	
COM On-Leakage Current	I <sub>COM(ON)</sub>	V+ = 5.5V, V- = -5.5V, V <sub>COM</sub> = ±4.5V; V <sub>NO</sub> or V <sub>NC</sub> = ±4.5V or floating	T <sub>A</sub> = +25°C	-2	0.1	2	nA
			T <sub>A</sub> = T <sub>MIN</sub> to T <sub>MAX</sub>	-20		20	
<b>LOGIC INPUT</b>							
Input Low Voltage	V <sub>IL</sub>				0.8	V	
Input High Voltage	V <sub>IH</sub>		2.4			V	
Input Leakage Current	I <sub>IN</sub>		-1	0.005	1	μA	
<b>DYNAMIC</b>							
Turn-On Time	t <sub>ON</sub>	V+ = +4.5V, V- = -4.5V; V <sub>NO</sub> or V <sub>NC</sub> = 3.3V, R <sub>L</sub> = 300Ω, C <sub>L</sub> = 35pF, Figure 2	T <sub>A</sub> = +25°C	135	300	ns	
			T <sub>A</sub> = T <sub>MIN</sub> to T <sub>MAX</sub>		375		
Turn-Off Time	t <sub>OFF</sub>	V+ = +4.5V, V- = -4.5V; V <sub>NO</sub> or V <sub>NC</sub> = 3.3V, R <sub>L</sub> = 300Ω, C <sub>L</sub> = 35pF, Figure 2	T <sub>A</sub> = +25°C	50	110	ns	
			T <sub>A</sub> = T <sub>MIN</sub> to T <sub>MAX</sub>		125		

# 3Ω Single SPST Analog Switches

MAX4675/MAX4676

## ELECTRICAL CHARACTERISTICS—DUAL SUPPLIES (continued)

(V+ = +5V ±10%, V- = -5V ±10%, GND = 0, V<sub>IH</sub> = +2.4V, V<sub>IL</sub> = 0.8V, T<sub>A</sub> = T<sub>MIN</sub> to T<sub>MAX</sub>, unless otherwise noted. Typical values are at T<sub>A</sub> = +25°C.) (Notes 2, 3)

PARAMETER	SYMBOL	CONDITIONS		MIN	TYP	MAX	UNITS
Charge Injection	Q	R <sub>GEN</sub> = 0Ω, C <sub>L</sub> = 1nF, V <sub>GEN</sub> = 0, Figure 3	T <sub>A</sub> = +25°C		87		pC
Off-Isolation	V <sub>ISO</sub>	R <sub>L</sub> = 50Ω, C <sub>L</sub> = 5pF, f = 1MHz, Figure 4	T <sub>A</sub> = +25°C		-75		dB
On-Channel Bandwidth (-3dB)	BW	R <sub>S</sub> = 50Ω, R <sub>L</sub> = 50Ω			250		MHz
NC or NO Off-Capacitance	C <sub>(N_OFF)</sub>	f = 1MHz, Figure 5	T <sub>A</sub> = +25°C		85		pF
COM Off-Capacitance	C <sub>(COMOFF)</sub>	f = 1MHz, Figure 5	T <sub>A</sub> = +25°C		85		pF
On-Capacitance	C <sub>(ON)</sub>	f = 1MHz, Figure 5	T <sub>A</sub> = +25°C		350		pF
<b>POWER SUPPLY</b>							
Supply Voltage	V+, V-			±2.7		±5.5	V
Positive Supply Current	I+	V <sub>IN</sub> = 0 or 5.5V, V+ = 5.5V, V- = -5.5V	T <sub>A</sub> = +25°C		0.002	1	μA
			T <sub>A</sub> = T <sub>MIN</sub> to T <sub>MAX</sub>			10	
Negative Supply Current	I-	V <sub>IN</sub> = 0 or 5.5V, V+ = 5.5V, V- = -5.5V	T <sub>A</sub> = +25°C	-1	-0.002		μA
			T <sub>A</sub> = T <sub>MIN</sub> to T <sub>MAX</sub>	-10			

## ELECTRICAL CHARACTERISTICS—SINGLE SUPPLY

(V+ = +5V ±10%, V- = 0, GND = 0, V<sub>IH</sub> = +2.4V, V<sub>IL</sub> = 0.8V, T<sub>A</sub> = T<sub>MIN</sub> to T<sub>MAX</sub>, unless otherwise noted. Typical values are at T<sub>A</sub> = +25°C.) (Notes 2, 3)

PARAMETER	SYMBOL	CONDITIONS		MIN	TYP	MAX	UNITS
<b>ANALOG SWITCH</b>							
Input Voltage Range	V <sub>COM</sub> , V <sub>NO</sub> , V <sub>NC</sub>			0		V+	V
On-Resistance	R <sub>ON</sub>	V+ = 4.5V; I <sub>COM</sub> = 50mA; V <sub>NO</sub> or V <sub>NC</sub> = 3.3V	T <sub>A</sub> = +25°C		3.5	5.75	Ω
			T <sub>A</sub> = T <sub>MIN</sub> to T <sub>MAX</sub>			7.5	
On-Resistance Flatness (Note 4)	R <sub>FLAT</sub>	V+ = 4.5V; I <sub>COM</sub> = 50mA; V <sub>NO</sub> or V <sub>NC</sub> = 1.5V, 2.5V, 3.3V	T <sub>A</sub> = +25°C		0.4	1.6	Ω
			T <sub>A</sub> = T <sub>MIN</sub> to T <sub>MAX</sub>			2	
NC or NO Off-Leakage Current	I <sub>N(OFF)</sub>	V+ = 5.5V; V <sub>NO</sub> or V <sub>NC</sub> = 4.5V or 0; V <sub>COM</sub> = 0 or 4.5V	T <sub>A</sub> = +25°C	-1	0.1	1	nA
			T <sub>A</sub> = T <sub>MIN</sub> to T <sub>MAX</sub>	-10		10	
COM Off-Leakage Current	I <sub>COM(OFF)</sub>	V+ = 5.5V; V <sub>NO</sub> or V <sub>NC</sub> = 4.5V or 0; V <sub>COM</sub> = 0 or 4.5V	T <sub>A</sub> = +25°C	-1	0.1	1	nA
			T <sub>A</sub> = T <sub>MIN</sub> to T <sub>MAX</sub>	-10		10	

## 3Ω Single SPST Analog Switches

### ELECTRICAL CHARACTERISTICS—SINGLE SUPPLY (continued)

(V+ = +5V ±10%, V- = 0, GND = 0, V<sub>IH</sub> = +2.4V, V<sub>IL</sub> = 0.8V, T<sub>A</sub> = T<sub>MIN</sub> to T<sub>MAX</sub>, unless otherwise noted. Typical values are at T<sub>A</sub> = +25°C.) (Notes 2, 3)

PARAMETER	SYMBOL	CONDITIONS	MIN	TYP	MAX	UNITS	
COM On-Leakage Current	I <sub>COM (ON)</sub>	V+ = 5.5V; V <sub>NO</sub> or V <sub>NC</sub> = 0, 4.5V, or floating; V <sub>COM</sub> = 0 or 4.5V	T <sub>A</sub> = +25°C	-2	0.2	2	nA
			T <sub>A</sub> = T <sub>MIN</sub> to T <sub>MAX</sub>	-20		20	
<b>LOGIC INPUT</b>							
Input Low Voltage	V <sub>IL</sub>				0.8	V	
Input High Voltage	V <sub>IH</sub>		2.4			V	
Input Leakage Current	I <sub>IN</sub>		-1	0.005	1	μA	
<b>DYNAMIC</b>							
Turn-On Time	t <sub>ON</sub>	V+ = +4.5V; V <sub>NO</sub> or V <sub>NC</sub> = +3.3V, R <sub>L</sub> = 300Ω, C <sub>L</sub> = 35pF, Figure 2	T <sub>A</sub> = +25°C	350	700	ns	
			T <sub>A</sub> = T <sub>MIN</sub> to T <sub>MAX</sub>		850		
Turn-Off Time	t <sub>OFF</sub>	V+ = +4.5V; V <sub>NO</sub> or V <sub>NC</sub> = +3.3V, R <sub>L</sub> = 300Ω, C <sub>L</sub> = 35pF, Figure 2	T <sub>A</sub> = +25°C	55	150	ns	
			T <sub>A</sub> = T <sub>MIN</sub> to T <sub>MAX</sub>		160		
Charge Injection	Q	R <sub>GEN</sub> = 0Ω, C <sub>L</sub> = 1nF, V <sub>GEN</sub> = 2.5V, Figure 3	T <sub>A</sub> = +25°C	31		pC	
Off-Isolation	V <sub>ISO</sub>	R <sub>L</sub> = 50Ω, C <sub>L</sub> = 5pF, f = 1MHz, Figure 4	T <sub>A</sub> = +25°C	-65		dB	
On-Channel Bandwidth (-3dB)		R <sub>S</sub> = 50Ω, R <sub>L</sub> = 50Ω		150		MHz	
NC or NO Off-Capacitance	C <sub>(N_OFF)</sub>	f = 1MHz, Figure 5	T <sub>A</sub> = +25°C	85		pF	
COM Off-Capacitance	C <sub>(COMOFF)</sub>	f = 1MHz, Figure 5	T <sub>A</sub> = +25°C	85		pF	
On-Capacitance	C <sub>(ON)</sub>	f = 1MHz, Figure 5	T <sub>A</sub> = +25°C	350		pF	
<b>POWER SUPPLY</b>							
Supply Voltage	V+		2.7		5.5	V	
Positive Supply Current	I+	V <sub>IN</sub> = 0 or 5V, V+ = 5.5V	T <sub>A</sub> = +25°C	0.002	1	μA	
			T <sub>A</sub> = T <sub>MIN</sub> to T <sub>MAX</sub>		10		

**Note 2:** Parameters are 100% tested at +25°C only and guaranteed by correlation through the full-rated temperature range.

**Note 3:** The algebraic convention, where the most negative value is a minimum and the most positive value a maximum, is used in this data sheet.

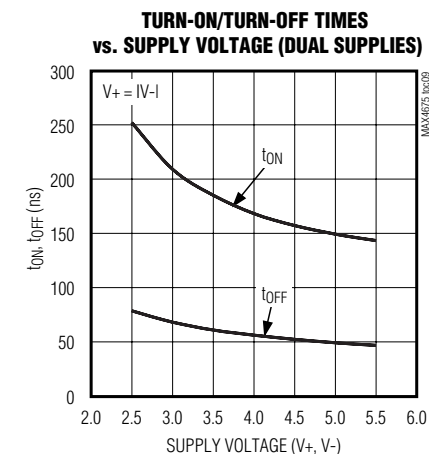
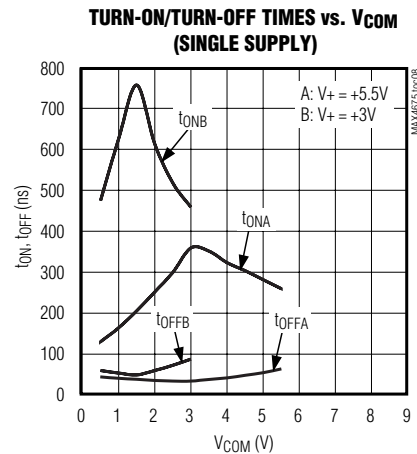
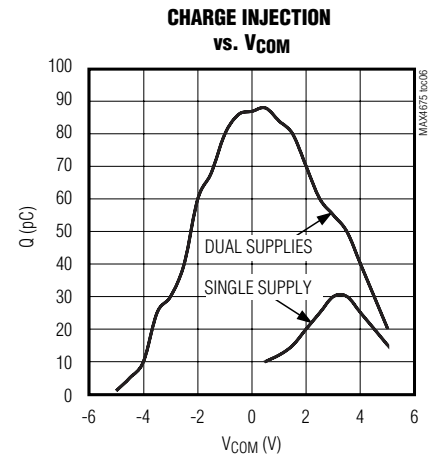
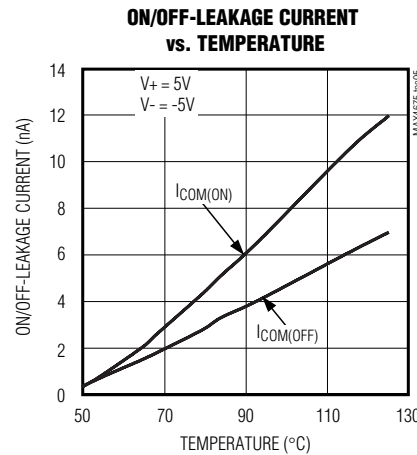
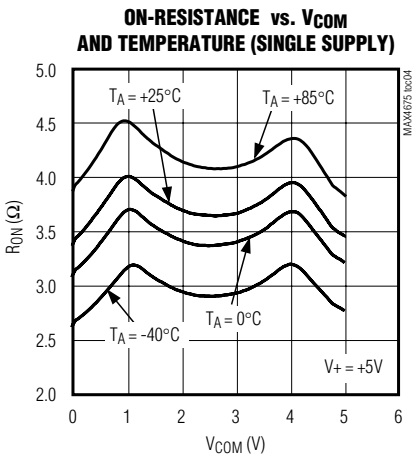
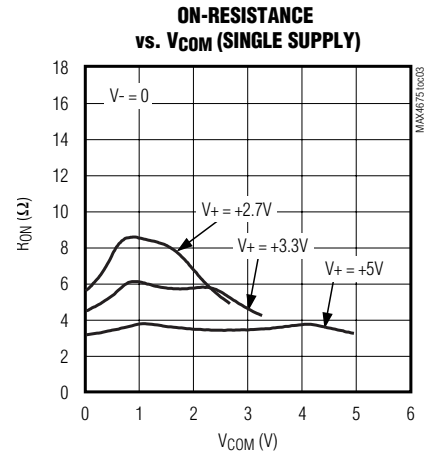
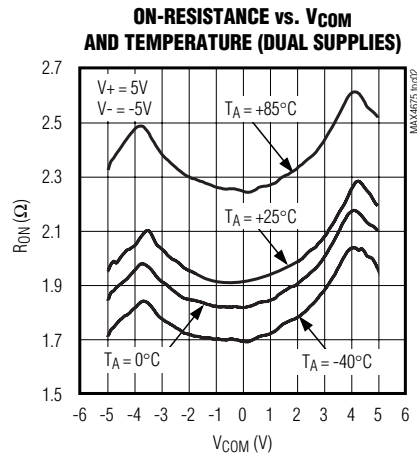
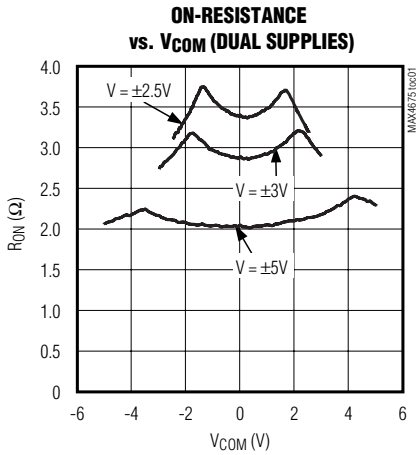
**Note 4:** Flatness is defined as the difference between the maximum and minimum value of R<sub>ON</sub> as measured over the specified analog signal ranges.

# 3Ω Single SPST Analog Switches

## Typical Operating Characteristics

( $T_A = +25^\circ\text{C}$ , unless otherwise noted.)

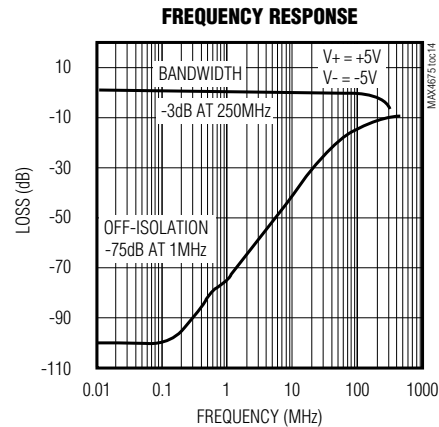
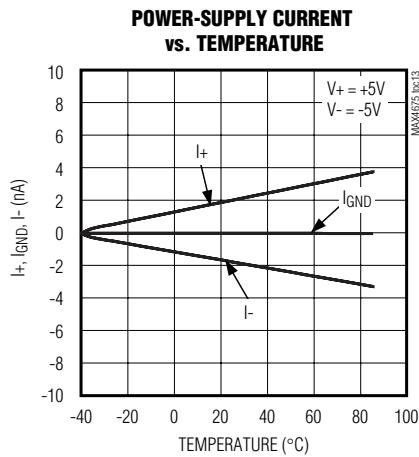
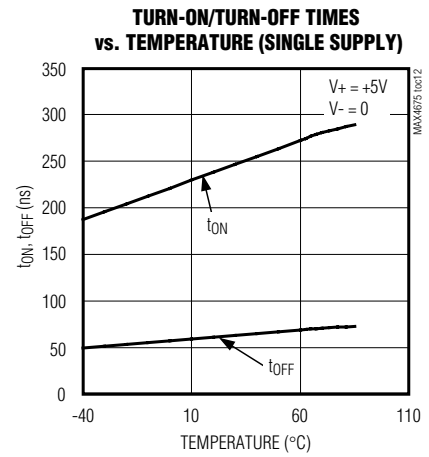
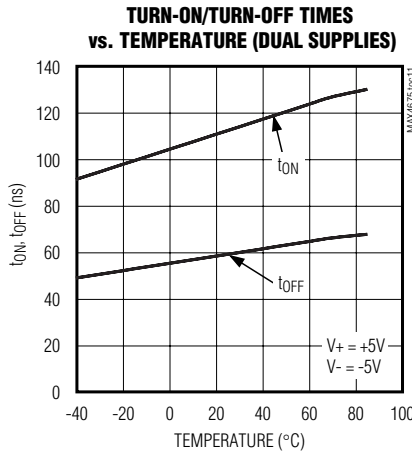
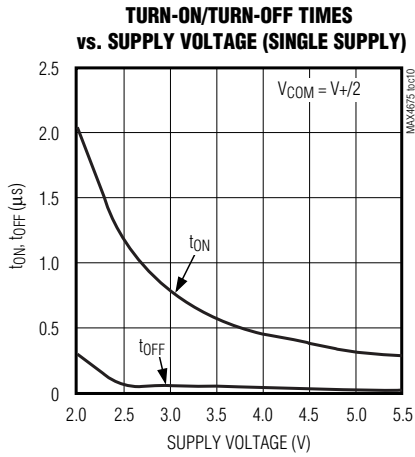
MAX4675/MAX4676



# 3Ω Single SPST Analog Switches

## Typical Operating Characteristics (continued)

( $T_A = +25^\circ\text{C}$ , unless otherwise noted.)



## Pin Description

PIN		NAME	FUNCTION
MAX4675	MAX4676		
1	1	V+	Positive Supply
2	2	COM	Analog Switch Common Terminals
3	3	V-	Negative Supply
4	4	GND	Ground
5	—	NO	Analog Switch Normally Open Terminal
—	5	NC	Analog Switch Normally Closed Terminal
6	6	IN	Logic Input

# 3Ω Single SPST Analog Switches

## Applications Information

### Overvoltage Protection

Proper power-supply sequencing is recommended for all CMOS devices. Do not exceed the absolute maximum ratings because stresses beyond the listed ratings can cause permanent damage to the devices. Always sequence V+ on first, then V-, followed by the logic inputs, NO, NC, or COM. If proper power-supply sequencing is not possible, add two small-signal diodes (D1, D2) in series with the supply pins (Figure 1). Adding diodes reduces the analog signal range to one diode drop below V+ and one diode drop above V- but does not affect the devices' low switch resistance and low leakage characteristics. Device operation is unchanged, and the difference between V+ and V- should not exceed 12V.

Power-supply bypassing improves noise margin and prevents switching noise from propagating from the V+ supply to other components. A 0.1μF capacitor connected from V+ to GND is adequate for most applications.

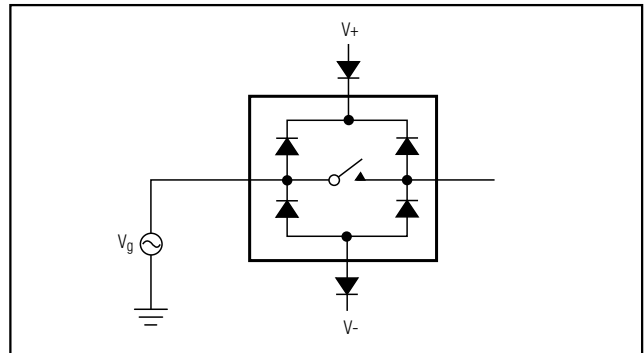


Figure 1. Overvoltage Protection Using External Blocking Diodes

## Timing Diagrams/Test Circuits

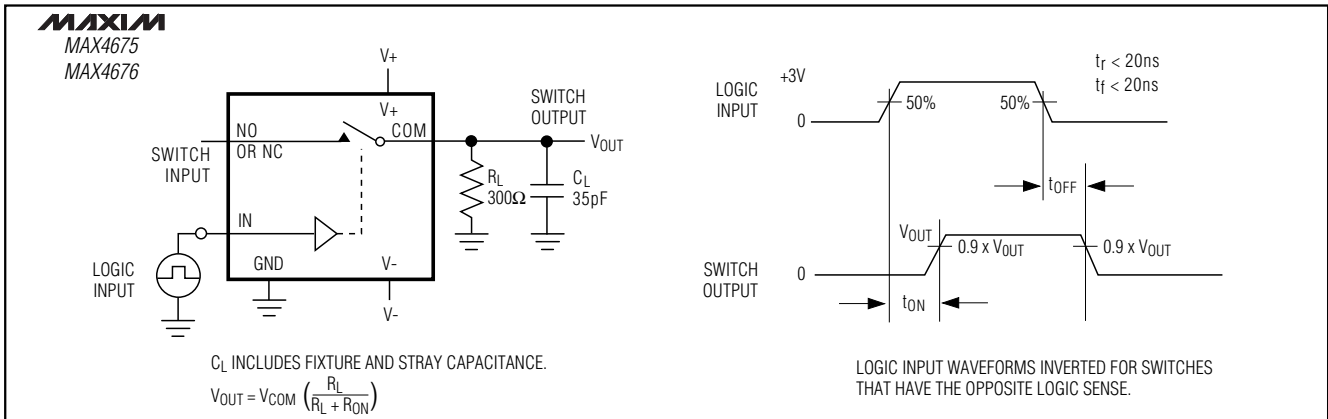


Figure 2. Switching Time

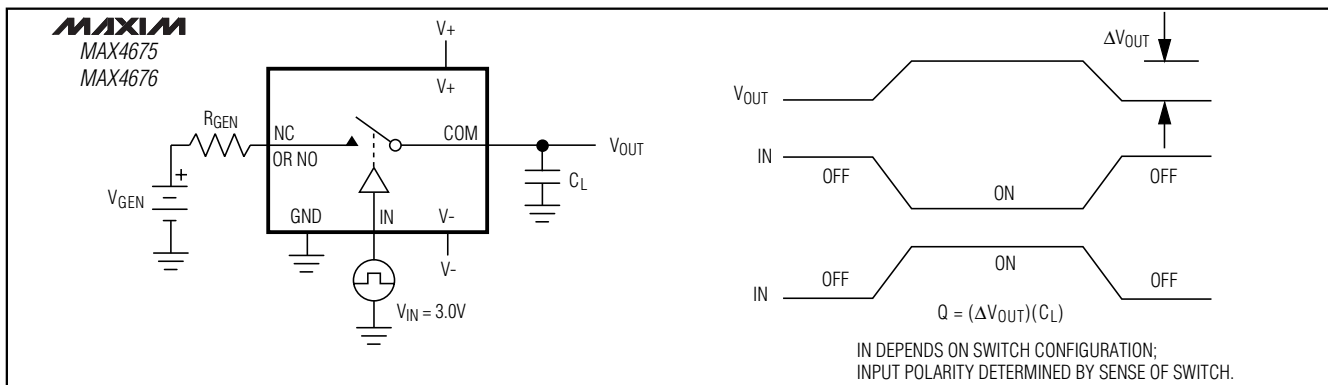


Figure 3. Charge Injection

# 3Ω Single SPST Analog Switches

## Timing Diagrams/Test Circuits (continued)

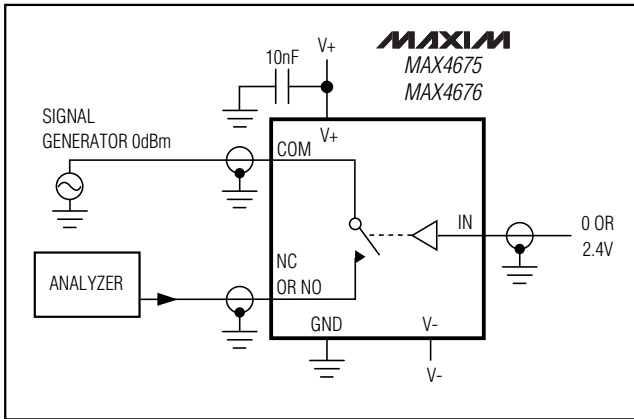


Figure 4. Off-Isolation/On-Channel Bandwidth

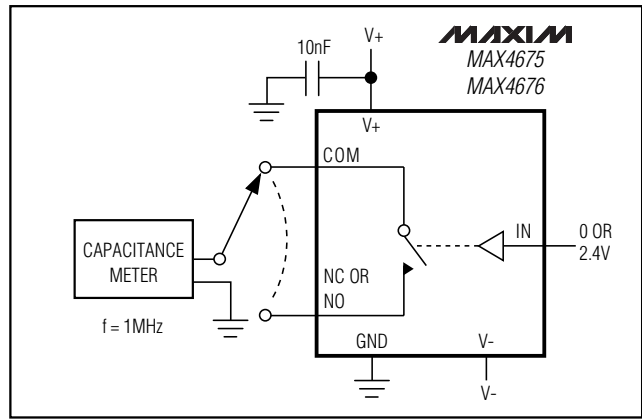
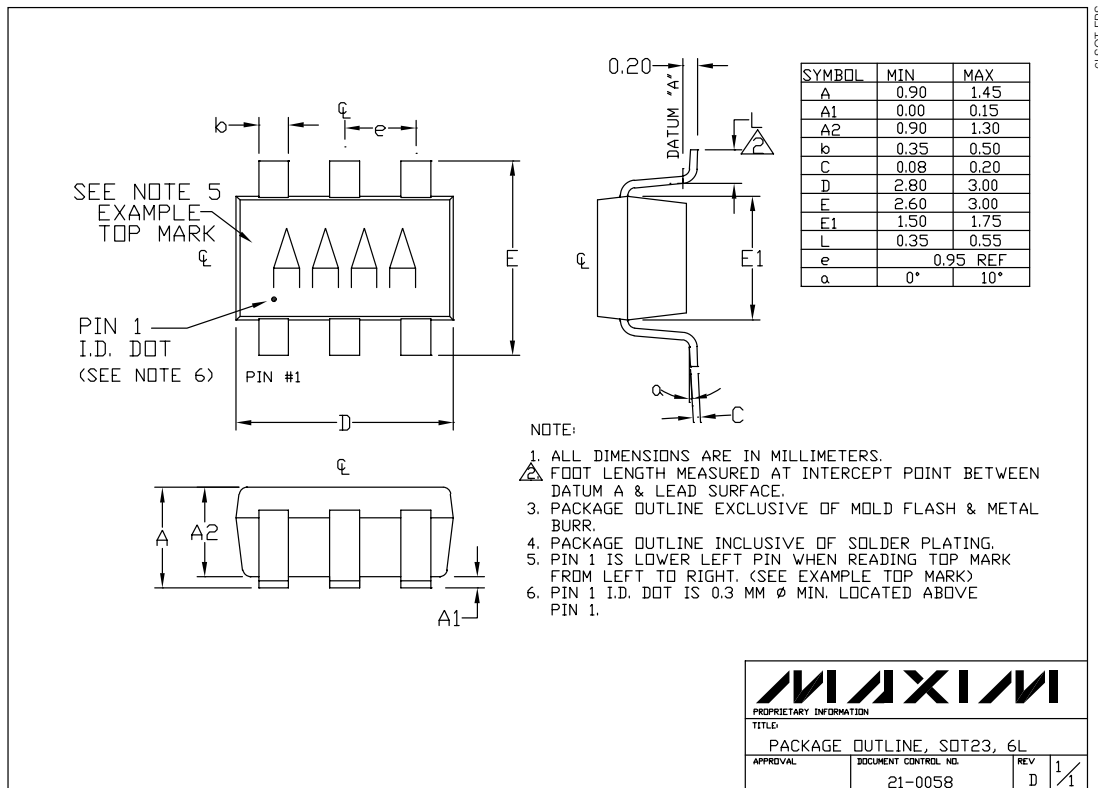


Figure 5. Channel On/Off-Capacitance

## Package Information





Maxim cannot assume responsibility for use of any circuitry other than circuitry entirely embodied in a Maxim product. No circuit patent licenses are implied. Maxim reserves the right to change the circuitry and specifications without notice at any time.

8 Maxim Integrated Products, 120 San Gabriel Drive, Sunnyvale, CA 94086 408-737-7600

## Looking for pricing, stock, or lifecycle information?

Click below to explore more details on WIN SOURCE:

-  [View MAX4676EUT+T on WIN SOURCE](#)
-  [Maxim Integrated Information](#)

## Optimize Your Supply Chain with WIN SOURCE Solutions

-  Global Sourcing Solution
-  Obsolete Management
-  Cost Control Management
-  Shortage Management
-  Alternative Solution
-  Excess Inventory Management