



**THE DATASHEET OF  
MAX4784EUE+T**





# 0.7Ω, Low-Voltage, Quad 2:1 Analog Multiplexers

MAX4780/MAX4784

## General Description

The MAX4780/MAX4784 are low on-resistance, low-voltage, quad 2:1 analog multiplexers that operate from a single +1.6V to +4.2V supply. These devices have fast switching speeds ( $t_{ON} = 20ns$ ,  $t_{OFF} = 8ns$ ), handle rail-to-rail analog signals, and consume less than  $1\mu W$  of quiescent power.

When powered from a +2.7V supply, the MAX4780/MAX4784 feature low  $0.7\Omega$  on-resistance ( $R_{ON}$ ), and  $0.1\Omega$   $R_{ON}$  flatness. The digital logic input is +1.8V CMOS-logic compatible when using a single +3V supply.

The MAX4780/MAX4784 are available in 16-pin TSSOP and 3mm x 3mm thin QFN packages.

## Applications

- Power Routing
- Battery-Powered Systems
- Audio and Video Signal Routing
- Low-Voltage Data-Acquisition Systems
- Communications Circuits
- PCMCIA Cards
- Cellular Phones
- Modems
- Hard Drives

## Features

- ◆ Single-Supply Operation from 1.6V to 4.2V
- ◆ Low  $R_{ON}$   
 $0.7\Omega$  (+2.7V Supply)  
 $2\Omega$  (+1.8V Supply)
- ◆  $0.1\Omega$   $R_{ON}$  Flatness (+2.7V Supply)
- ◆ 3mm x 3mm Thin QFN Package
- ◆ +1.8V CMOS Logic Compatible
- ◆ Fast Switching:  $t_{ON} = 20ns$ ,  $t_{OFF} = 8ns$

## Ordering Information

PART	TEMP RANGE	PIN-PACKAGE
MAX4780ETE	-40°C to +85°C	16 Thin QFN-EP*
MAX4780EUE	-40°C to +85°C	16 TSSOP
MAX4784ETE	-40°C to +85°C	16 Thin QFN-EP*
MAX4784EUE	-40°C to +85°C	16 TSSOP

\*EP = Exposed pad.

## Pin Configurations/Functional Diagrams/Truth Tables

TOP VIEW

**THIN QFN-EP**

MAX4780		
A0	ON SWITCH	
0	NC1, NC2	
1	NO1, NO2	
MAX4784		
EN	A0	ON SWITCH
1	X	NONE
0	0	COM1-NC1 COM2-NC2 COM3-NC3 COM4-NC4
	1	COM1-NO1 COM2-NO2 COM3-NO3 COM4-NO4

**THIN QFN-EP**

Pin Configurations/Functional Diagrams/Truth Tables continued at end of data sheet.

# 0.7 $\Omega$ , Low-Voltage, Quad 2:1 Analog Multiplexers

## ABSOLUTE MAXIMUM RATINGS

Voltages Referenced to GND

V+, A <sub>-</sub> , $\overline{\text{EN}}$ .....	-0.3V to +4.6V
COM <sub>-</sub> , NO <sub>-</sub> , NC <sub>-</sub> (Note 1) .....	-0.3V to (V+ + 0.3V)
Continuous Current COM <sub>-</sub> , NO <sub>-</sub> , NC <sub>-</sub> .....	$\pm 300\text{mA}$
Peak Current COM <sub>-</sub> , NO <sub>-</sub> , NC <sub>-</sub> (pulsed at 1ms 10% duty cycle).....	$\pm 500\text{mA}$

Continuous Power Dissipation ( $T_A = +70^\circ\text{C}$ )

16-Pin Thin QFN (derate 14.7mW/ $^\circ\text{C}$ above $+70^\circ\text{C}$ ).....	1176.5mW
16-Pin TSSOP (derate 9.4mW/ $^\circ\text{C}$ above $+70^\circ\text{C}$ ) .....	755mW
Operating Temperature Range .....	$-40^\circ\text{C}$ to $+85^\circ\text{C}$
Maximum Junction Temperature .....	$+150^\circ\text{C}$
Storage Temperature Range .....	$-65^\circ\text{C}$ to $+150^\circ\text{C}$
Lead Temperature (soldering, 10s) .....	$+300^\circ\text{C}$

**Note 1:** Signals on COM<sub>-</sub>, NO<sub>-</sub>, or NC<sub>-</sub> exceeding V+ or GND are clamped by internal diodes. Limit forward current to maximum current rating.

Stresses beyond those listed under "Absolute Maximum Ratings" may cause permanent damage to the device. These are stress ratings only, and functional operation of the device at these or any other conditions beyond those indicated in the operational sections of the specifications is not implied. Exposure to absolute maximum rating conditions for extended periods may affect device reliability.

## ELECTRICAL CHARACTERISTICS—Single +3V Supply

(V+ = +2.7V to +4.2V, V<sub>IH</sub> = +1.4V, V<sub>IL</sub> = +0.5V, T<sub>A</sub> = T<sub>MIN</sub> to T<sub>MAX</sub>, unless otherwise specified. Typical values are at V+ = +3.0V, T<sub>A</sub> = +25 $^\circ\text{C}$ .) (Notes 2, 3)

PARAMETER	SYMBOL	CONDITIONS	T <sub>A</sub>	MIN	TYP	MAX	UNITS
<b>ANALOG SWITCH</b>							
Analog Signal Range	V <sub>COM-</sub> , V <sub>NO-</sub> , V <sub>NC-</sub>			0		V+	V
On-Resistance (Note 4)	R <sub>ON</sub>	V+ = 2.7V, I <sub>COM-</sub> = 100mA, V <sub>NO-</sub> or V <sub>NC-</sub> = 1.5V	+25 $^\circ\text{C}$		0.7	1	$\Omega$
			T <sub>MIN</sub> to T <sub>MAX</sub>			1.2	
On-Resistance Match Between Channels (Notes 4, 5)	$\Delta R_{ON}$	V+ = 2.7V, I <sub>COM-</sub> = 100mA, V <sub>NO-</sub> or V <sub>NC-</sub> = 1.5V	+25 $^\circ\text{C}$		0.1	0.15	$\Omega$
			T <sub>MIN</sub> to T <sub>MAX</sub>			0.2	
On-Resistance Flatness (Note 6)	R <sub>FLAT(ON)</sub>	V+ = 2.7V, I <sub>COM-</sub> = 100mA; V <sub>NO-</sub> or V <sub>NC-</sub> = 1V, 1.5V, 2V	+25 $^\circ\text{C}$		0.1	0.2	$\Omega$
			T <sub>MIN</sub> to T <sub>MAX</sub>			0.3	
NO <sub>-</sub> or NC <sub>-</sub> Off-Leakage Current (Note 7)	I <sub>NO(OFF)</sub> , I <sub>NC(OFF)</sub>	V+ = 3.6V; V <sub>COM-</sub> = 0.3V, 3.3V; V <sub>NO-</sub> or V <sub>NC-</sub> = 3.3V, 0.3V	+25 $^\circ\text{C}$	-1	$\pm 0.002$	+1	nA
			T <sub>MIN</sub> to T <sub>MAX</sub>		-5		
COM <sub>-</sub> Off-Leakage Current (MAX4784 Only) (Note 7)	I <sub>COM(OFF)</sub>	V+ = 3.6V; V <sub>COM-</sub> = 0.3V, 3.3V; V <sub>NO-</sub> or V <sub>NC-</sub> = 3.3V, 0.3V, or unconnected	+25 $^\circ\text{C}$	-1	$\pm 0.002$	+1	nA
			T <sub>MIN</sub> to T <sub>MAX</sub>		-5		
COM <sub>-</sub> On-Leakage Current (Note 7)	I <sub>COM(ON)</sub>	V+ = 3.6V; V <sub>COM-</sub> = 3.3V, 0.3V; V <sub>NO-</sub> or V <sub>NC-</sub> = 3.3V, 0.3V, or unconnected	+25 $^\circ\text{C}$	-2	$\pm 0.002$	+2	nA
			T <sub>MIN</sub> to T <sub>MAX</sub>		-10		

# 0.7Ω, Low-Voltage, Quad 2:1 Analog Multiplexers

MAX4780/MAX4784

## ELECTRICAL CHARACTERISTICS—Single +3V Supply (continued)

(V+ = +2.7V to +4.2V, V<sub>IH</sub> = +1.4V, V<sub>IL</sub> = +0.5V, T<sub>A</sub> = T<sub>MIN</sub> to T<sub>MAX</sub>, unless otherwise specified. Typical values are at V+ = +3.0V, T<sub>A</sub> = +25°C.) (Notes 2, 3)

PARAMETER	SYMBOL	CONDITIONS	T <sub>A</sub>	MIN	TYP	MAX	UNITS
<b>SWITCH DYNAMIC CHARACTERISTICS</b>							
Turn-On Time	t <sub>ON</sub>	V <sub>NO_</sub> , V <sub>NC_</sub> = 1.5V, R <sub>L</sub> = 50Ω, C <sub>L</sub> = 35pF, Figure 1	+25°C	20	25		ns
			T <sub>MIN</sub> to T <sub>MAX</sub>			30	
Turn-Off Time	t <sub>OFF</sub>	V <sub>NO_</sub> , V <sub>NC_</sub> = 1.5V, R <sub>L</sub> = 50Ω, C <sub>L</sub> = 35pF, Figure 1	+25°C	8	10		ns
			T <sub>MIN</sub> to T <sub>MAX</sub>			18	
Break-Before-Make (Note 8)	t <sub>BBM</sub>	V <sub>NO_</sub> , V <sub>NC_</sub> = 1.5V, R <sub>L</sub> = 50Ω, C <sub>L</sub> = 35pF, Figure 2	+25°C	7			ns
			T <sub>MIN</sub> to T <sub>MAX</sub>	1			
Charge Injection	Q	V <sub>GEN</sub> = 0, R <sub>GEN</sub> = 0, C <sub>L</sub> = 1.0nF, Figure 3	+25°C		5		pC
NO_ or NC_ Off-Capacitance	C <sub>OFF</sub>	f = 1MHz, Figure 4	+25°C		33		pF
COM_ Off-Capacitance	C <sub>COM_(OFF)</sub>	f = 1MHz, Figure 4	+25°C		60		pF
COM_ On-Capacitance	C <sub>COM_(ON)</sub>	f = 1MHz, Figure 4	+25°C		85		pF
-3dB On-Channel Bandwidth	BW	Signal = 0, R <sub>IN</sub> = R <sub>OUT</sub> = 50Ω, C <sub>L</sub> = 5pF, Figure 5			123		MHz
Off-Isolation (Note 9)	V <sub>ISO</sub>	f = 1MHz, V <sub>COM_</sub> = 1V <sub>P-P</sub> , R <sub>L</sub> = 50Ω, C <sub>L</sub> = 5pF, Figure 5	+25°C		-67		dB
Crosstalk (Note 10)	V <sub>CT</sub>	f = 1MHz, V <sub>COM_</sub> = 1V <sub>P-P</sub> , R <sub>L</sub> = 50Ω, C <sub>L</sub> = 5pF, Figures 4, 5	+25°C		-95		dB
Total Harmonic Distortion	THD	f = 20Hz to 20kHz, V <sub>COM_</sub> = 2V <sub>P-P</sub> , R <sub>L</sub> = 32Ω	+25°C		0.008		%
<b>LOGIC INPUT (A_, <math>\overline{\text{EN}}</math>)</b>							
Input Logic-High	V <sub>IH</sub>			1.8			V
Input Logic-Low	V <sub>IL</sub>					0.5	V
Input Leakage Current	I <sub>IN</sub>	V $\overline{\text{EN}}$ = 0 or +3.6V, V <sub>A0</sub> = 0 or +3.6V		-1	0.005	+1	μA
<b>POWER SUPPLY</b>							
Power-Supply Range	V+			1.6		3.6	V
Positive Supply Current	I+	V+ = 3.6V, $\overline{\text{EN}}$ , A0 = 0 or V+, all channels on or off	T <sub>MIN</sub> to T <sub>MAX</sub>			2	μA

# 0.7Ω, Low-Voltage, Quad 2:1 Analog Multiplexers

## ELECTRICAL CHARACTERISTICS—Single +1.8V Supply

(V<sub>+</sub> = +1.8V, V<sub>IH</sub> = +1.0V, V<sub>IL</sub> = +0.4V, T<sub>A</sub> = T<sub>MIN</sub> to T<sub>MAX</sub>, unless otherwise specified. Typical values are at T<sub>A</sub> = +25°C.)  
(Notes 2, 3)

PARAMETER	SYMBOL	CONDITIONS	T <sub>A</sub>	MIN	TYP	MAX	UNITS
<b>ANALOG SWITCH</b>							
Analog Signal Range	V <sub>COM_</sub> , V <sub>NO_</sub> , V <sub>NC_</sub>			0		V <sub>+</sub>	V
On-Resistance	R <sub>ON</sub>	I <sub>COM_</sub> = 10mA, V <sub>NO_</sub> or V <sub>NC_</sub> = 1.0V	+25°C	2	3		Ω
			T <sub>MIN</sub> to T <sub>MAX</sub>			5	
NO_ or NC_ Off-Leakage Current (Note 7)	I <sub>NO_(OFF)</sub> , I <sub>NC_(OFF)</sub>	V <sub>COM_</sub> = 0.3V, 1.5V; V <sub>NO_</sub> or V <sub>NC_</sub> = 1.5V, 0.3V	+25°C	-1		+1	nA
			T <sub>MIN</sub> to T <sub>MAX</sub>	-5		+5	
COM_ Off-Leakage Current (MAX4784 Only) (Note 7)	I <sub>COM_(OFF)</sub>	V <sub>COM_</sub> = 0.3V, 1.5V; V <sub>NO_</sub> or V <sub>NC_</sub> = 1.5V, 0.3V	+25°C	-1		+1	nA
			T <sub>MIN</sub> to T <sub>MAX</sub>	-5		+5	
COM_ On-Leakage Current (Note 7)	I <sub>COM_(ON)</sub>	V <sub>COM_</sub> = 0.3V, 1.5V; V <sub>NO_</sub> or V <sub>NC_</sub> = 0.3V, 1.5V, or unconnected	+25°C	-2		+2	nA
			T <sub>MIN</sub> to T <sub>MAX</sub>	-10		+10	
<b>SWITCH DYNAMIC CHARACTERISTICS</b>							
Turn-On Time	t <sub>ON</sub>	V <sub>NO_</sub> , V <sub>NC_</sub> = 1.0V, R <sub>L</sub> = 50Ω, C <sub>L</sub> = 35pF, Figure 1	+25°C	25	30		ns
			T <sub>MIN</sub> to T <sub>MAX</sub>			35	
Turn-Off Time	t <sub>OFF</sub>	V <sub>NO_</sub> , V <sub>NC_</sub> = 1.0V, R <sub>L</sub> = 50Ω, C <sub>L</sub> = 35pF, Figure 1	+25°C	10	15		ns
			T <sub>MIN</sub> to T <sub>MAX</sub>			20	
Break-Before-Make (Note 8)	t <sub>BBM</sub>	V <sub>NO_</sub> , V <sub>NC_</sub> = 1.0V, R <sub>L</sub> = 50Ω, C <sub>L</sub> = 35pF, Figure 2	+25°C	10			ns
			T <sub>MIN</sub> to T <sub>MAX</sub>	1			
Charge Injection	Q	V <sub>GEN</sub> = 0, R <sub>GEN</sub> = 0, C <sub>L</sub> = 1nF, Figure 3	+25°C		5		pC

# 0.7Ω, Low-Voltage, Quad 2:1 Analog Multiplexers

MAX4780/MAX4784

## ELECTRICAL CHARACTERISTICS—Single +1.8V Supply (continued)

( $V_+ = +1.8V$ ,  $V_{IH} = +1.0V$ ,  $V_{IL} = +0.4V$ ,  $T_A = T_{MIN}$  to  $T_{MAX}$ , unless otherwise specified. Typical values are at  $T_A = +25^\circ C$ .)  
(Notes 2, 3)

PARAMETER	SYMBOL	CONDITIONS	$T_A$	MIN	TYP	MAX	UNITS
<b>LOGIC INPUT (<math>A_+</math>, <math>\overline{EN}</math>)</b>							
Input Logic-High	$V_{IH}$			1			V
Input Logic-Low	$V_{IL}$					0.4	V
Input Leakage Current	$I_{IN}$	$V_{\overline{EN}} = 0$ or $+3.6V$ , $V_{A0} = 0$ or $+3.6V$		-1		+1	$\mu A$

**Note 2:** The algebraic convention, where the most negative value is a minimum and the most positive value is a maximum, is used in this data sheet.

**Note 3:**  $-40^\circ C$  specifications are guaranteed by design.

**Note 4:**  $R_{ON}$  and  $\Delta R_{ON}$  matching specifications for QFN packaged parts are guaranteed by design.

**Note 5:**  $\Delta R_{ON} = R_{ON(MAX)} - R_{ON(MIN)}$ .

**Note 6:** Flatness is defined as the difference between the maximum and the minimum value of on-resistance as measured over the specified analog signal ranges.

**Note 7:** Leakage parameters are 100% tested at  $T_A = +85^\circ C$ , and guaranteed by correlation over the full rated temperature range.

**Note 8:** Guaranteed by design.

**Note 9:** Off-isolation =  $20 \log_{10}(V_{COM\_}/V_{NO\_})$ ,  $V_{COM\_}$  = output,  $V_{NO\_}$  = input to off switch.

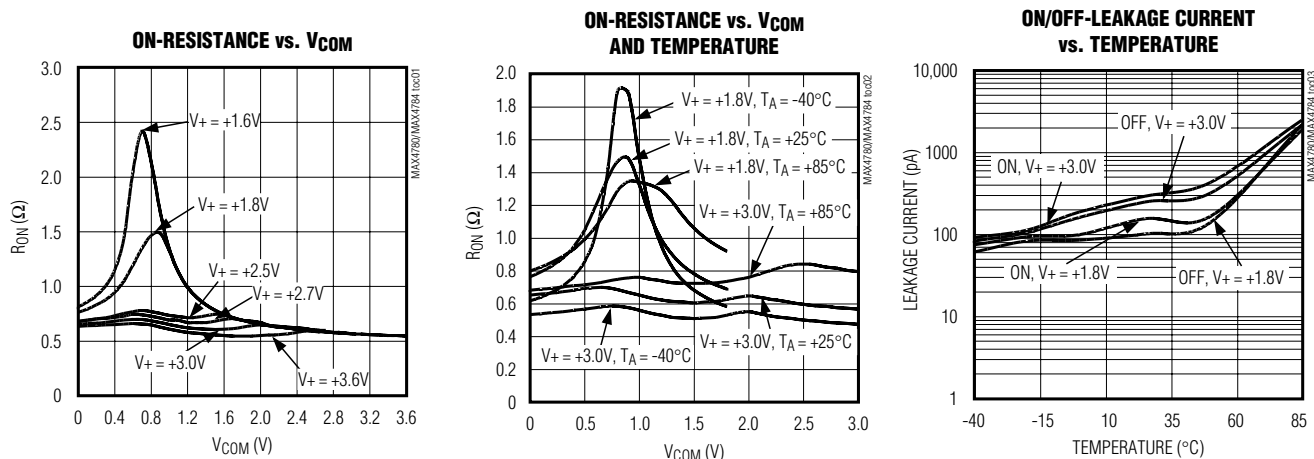
**Note 10:** Between two switches.

**Note 11:** Parts are guaranteed to 1 million cycles of operation. (Cycle = switch on → switch off → switch on.)

**Note 12:** The minimum load resistance is  $8\Omega$ . (See the *Typical Application Circuit*.)

## Typical Operating Characteristics

( $T_A = +25^\circ C$ , unless otherwise noted.)

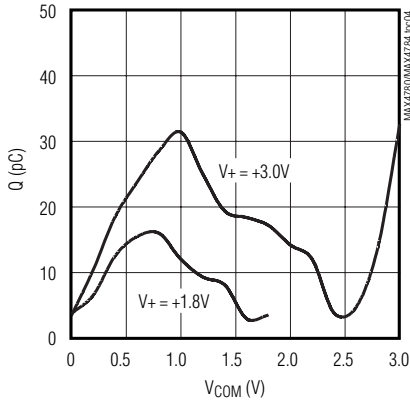


# 0.7Ω, Low-Voltage, Quad 2:1 Analog Multiplexers

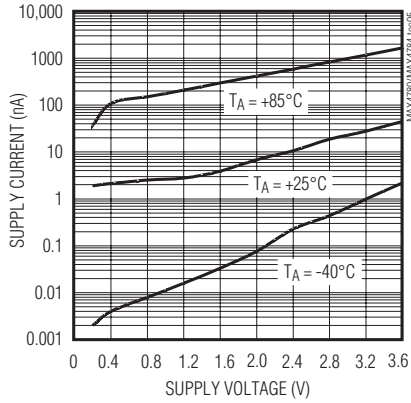
## Typical Operating Characteristics (continued)

(T<sub>A</sub> = +25°C, unless otherwise noted.)

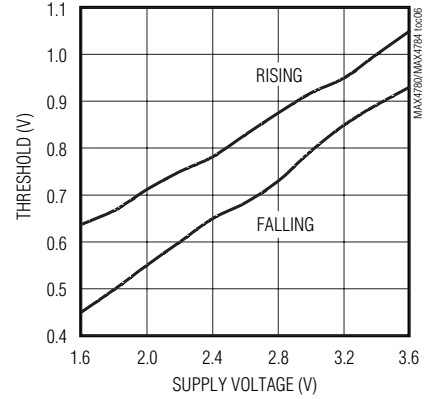
**CHARGE INJECTION vs. V<sub>COM</sub>**



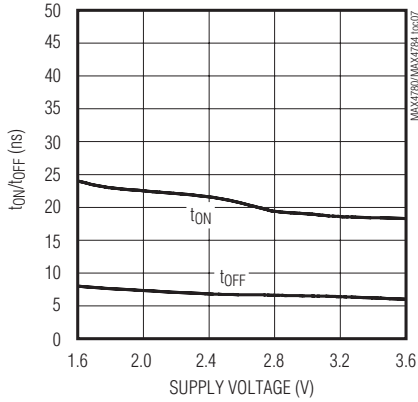
**SUPPLY CURRENT vs. SUPPLY VOLTAGE AND TEMPERATURE**



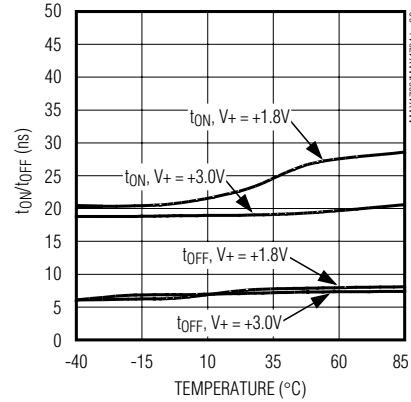
**LOGIC-LEVEL THRESHOLD vs. SUPPLY VOLTAGE**



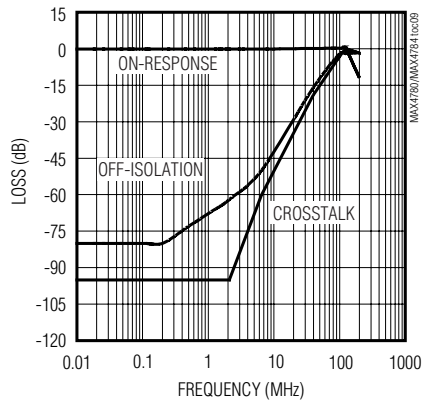
**TURN-ON/OFF TIME vs. SUPPLY VOLTAGE**



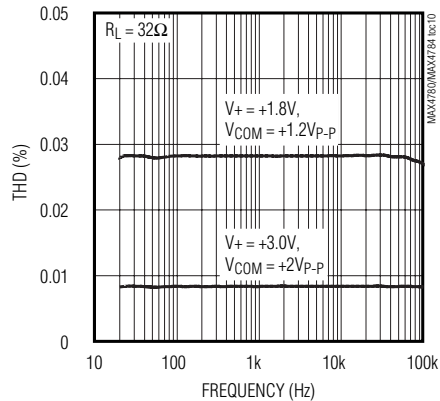
**TURN-ON/OFF TIMES vs. TEMPERATURE**



**FREQUENCY RESPONSE**



**TOTAL HARMONIC DISTORTION vs. FREQUENCY**



# 0.7Ω, Low-Voltage, Quad 2:1 Analog Multiplexers

## Pin Description

MAX4780/MAX4784

PIN				NAME	FUNCTION
MAX4780		MAX4784			
TSSOP	THIN QFN-EP	TSSOP	THIN QFN-EP		
1	15	1	15	A0	Address Input
2	16	2	16	NC1	Normally Closed Terminal
3	1	3	1	NO1	Normally Open Terminal
4	2	4	2	COM1	Analog Switch Common Terminal
5	3	5	3	NC2	Normally Closed Terminal
6	4	6	4	NO2	Normally Open Terminal
7	5	7	5	COM2	Analog Switch Common Terminal
8	6	8	6	GND	Ground
9	7	9	7	COM3	Analog Switch Common Terminal
10	8	10	8	NO3	Normally Open Terminal
11	9	11	9	NC3	Normally Closed Terminal
12	10	12	10	COM4	Analog Switch Common Terminal
13	11	13	11	NO4	Normally Open Terminal
14	12	14	12	NC4	Normally Closed Terminal
15	13	—	—	A1	Address Input
—	—	15	13	$\overline{EN}$	Enable. Connect to GND for normal operation. Connect to logic-level high to turn all switches off.
16	14	16	14	V+	Positive Supply Voltage
—	—	—	—	EP	Exposed Pad. Internally connected to GND. Connect to a large ground plane to maximize thermal performance. Not intended as an electrical connection point. (Thin QFN package only.)

## Detailed Description

The MAX4780/MAX4784 are low 0.7Ω (at V+ = +2.7V) on-resistance, low-voltage, quad 2:1 analog multiplexers/demultiplexers that operate from a +1.6V to +4.2V single supply. CMOS switch construction allows switching analog signals that are within the supply voltage range (GND to V+).

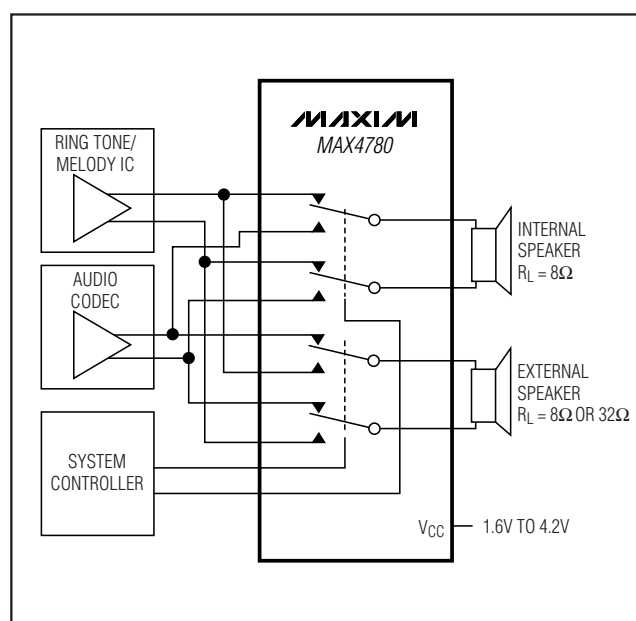
When powered from a +2.7V supply, the 0.7Ω RON allows high continuous currents to be switched in a variety of applications.

## Applications Information

Proper power-supply sequencing is recommended for all CMOS devices. Do not exceed the absolute maximum ratings, because stresses beyond the listed ratings can cause permanent damage to the devices. Always sequence V+ on first, followed by NO\_, NC\_, or COM\_.

Although it is not required, power-supply bypassing improves noise margin and prevents switching noise propagation from the V+ supply to other components. A 0.1μF capacitor, connected from V+ to GND, is adequate for most applications.

## Typical Application Circuit



# 0.7Ω, Low-Voltage, Quad 2:1 Analog Multiplexers

### Logic Inputs

The MAX4780/MAX4784 logic inputs can be driven up to +4.2V regardless of the supply voltage. For example, with a +1.8V supply, A<sub>-</sub> and EN̄ may be driven low to GND and high to +4.2V. Driving A<sub>-</sub> and EN̄ rail-to-rail minimizes power consumption. Drive EN̄ low to enable the COM<sub>-</sub> outputs. When EN̄ is high, the COM<sub>-</sub> outputs are high impedance.

### Analog Signal Levels

Analog signals that range over the entire supply voltage (V<sub>+</sub> to GND) can be passed with very little change in on-

resistance (see the *Typical Operating Characteristics*). The switches are bidirectional, so the NO<sub>-</sub>, NC<sub>-</sub>, and COM<sub>-</sub> pins can be used as either inputs or outputs.

### Layout

High-speed switches require proper layout and design procedures for optimum performance. Reduce stray inductance and capacitance by keeping traces short and wide. Ensure that bypass capacitors are as close to the device as possible. Use large ground planes where possible.

## Test Circuits/Timing Diagrams

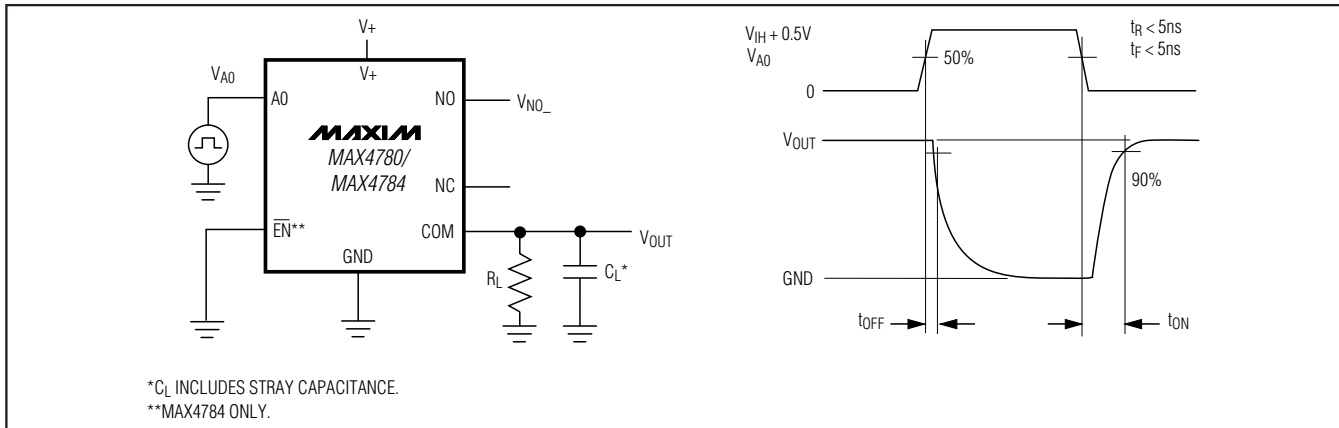


Figure 1. Turn-On and Turn-Off Times

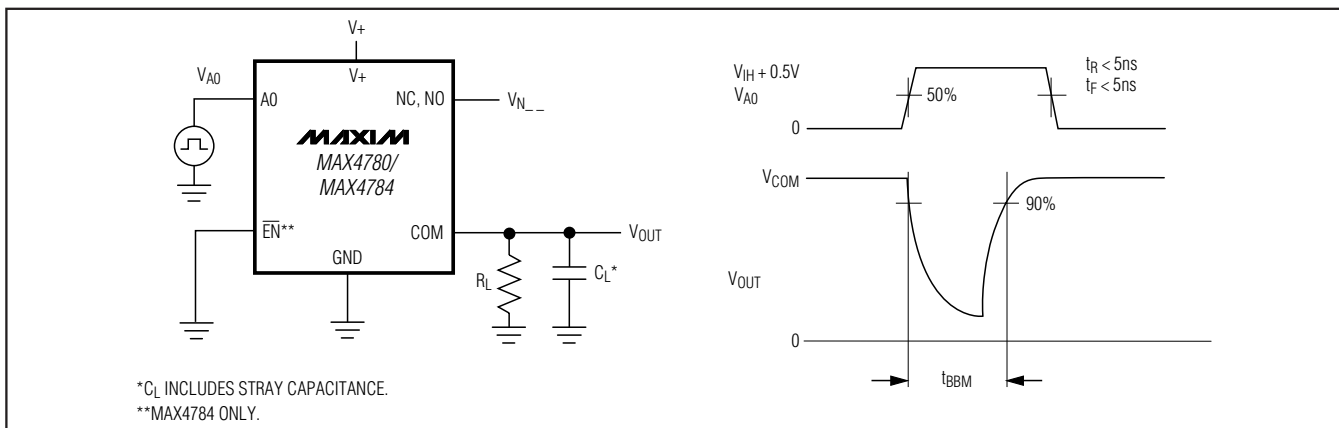


Figure 2. Break-Before-Make Interval

# 0.7Ω, Low-Voltage, Quad 2:1 Analog Multiplexers

## Test Circuits/Timing Diagrams (continued)

MAX4780/MAX4784

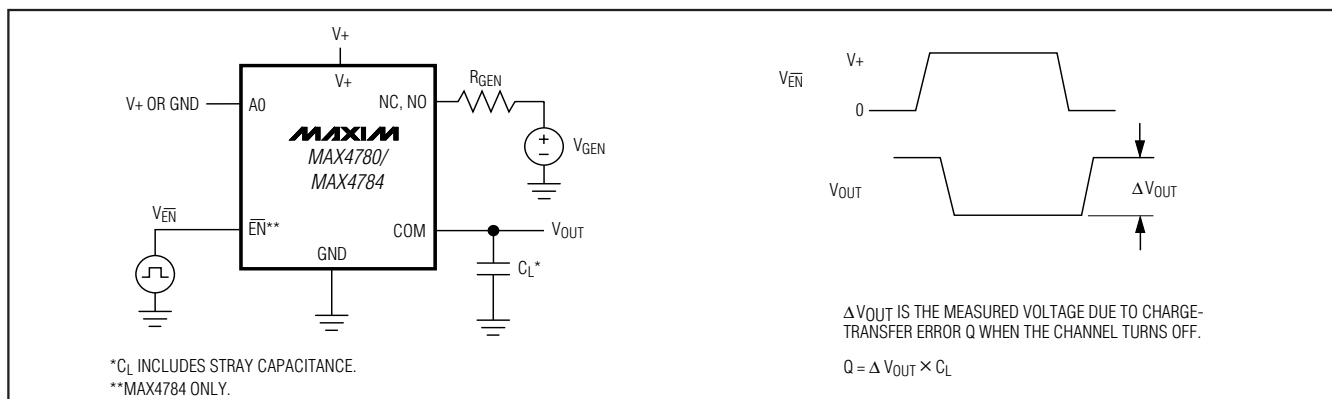


Figure 3. Charge Injection

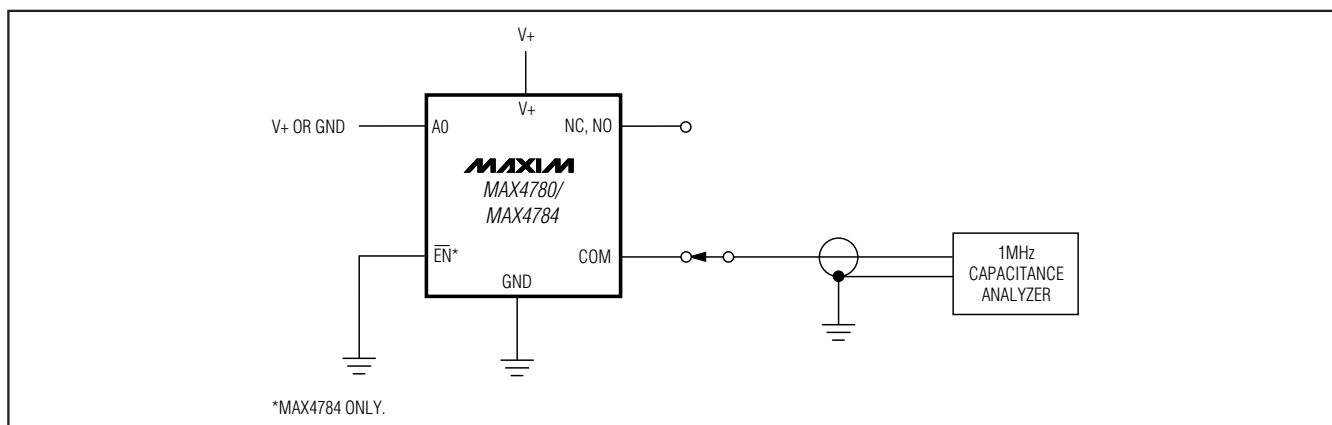


Figure 4. Capacitance

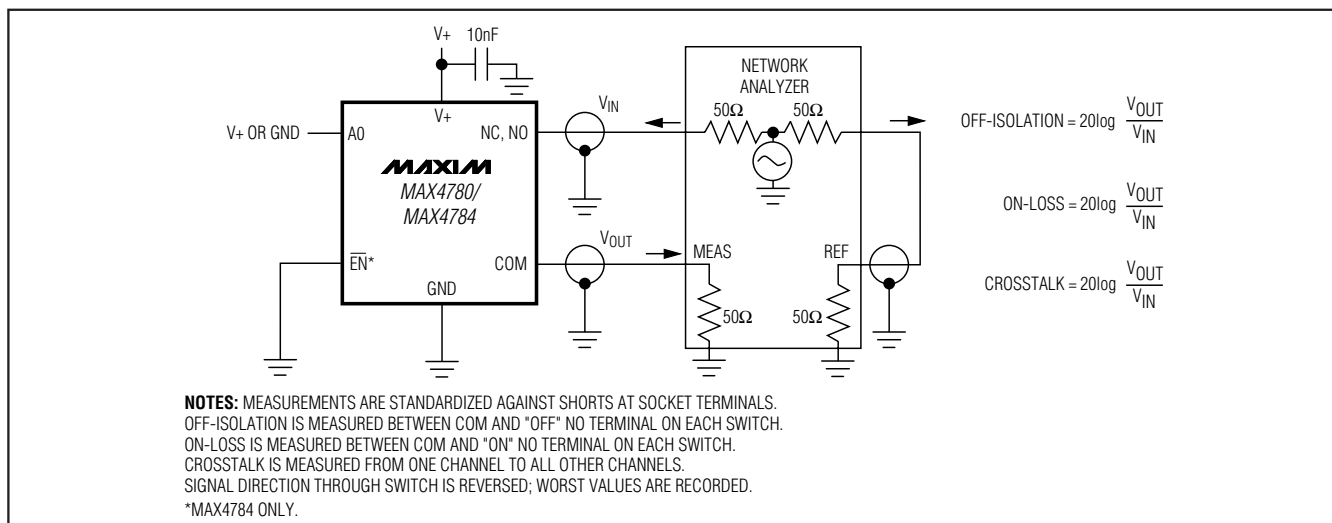
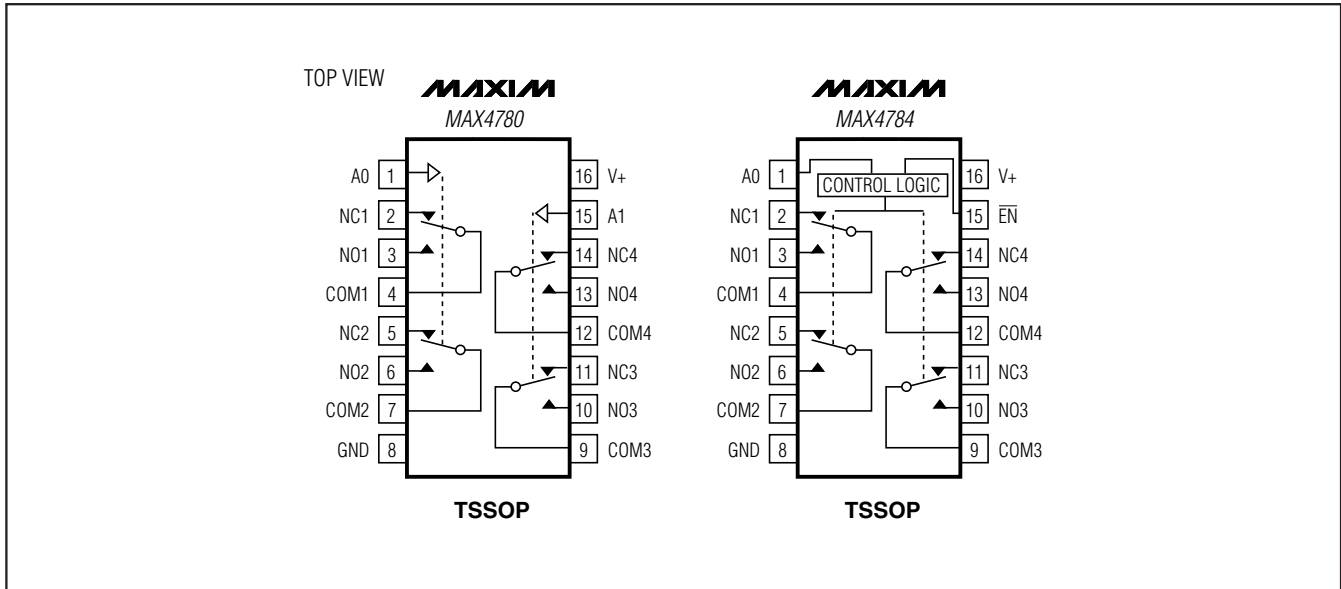


Figure 5. Off-Isolation, On-Loss, and Crosstalk

# 0.7Ω, Low-Voltage, Quad 2:1 Analog Multiplexers

## Pin Configurations/Functional Diagrams/Truth Tables (continued)



### Chip Information

PROCESS: CMOS

### Package Information

For the latest package outline information and land patterns, go to [www.maxim-ic.com/packages](http://www.maxim-ic.com/packages).

PACKAGE TYPE	PACKAGE CODE	DOCUMENT NO.
16 TQFN	T1633+4	<a href="#">21-0136</a>
16 TSSOP	U16+2	<a href="#">21-0066</a>

# 0.7Ω, Low-Voltage, Quad 2:1 Analog Multiplexers

## Revision History

REVISION NUMBER	REVISION DATE	DESCRIPTION	PAGES CHANGED
0	4/02	Initial release	—
1	1/04	Added MAX4780	—
2	9/04	Changed Ab max voltage	—
3	12/04	Change operation to 4.2V	—
4	3/09	Added exposed pad information	1, 2, 4, 7, 10,

MAX4780/MAX4784

Maxim cannot assume responsibility for use of any circuitry other than circuitry entirely embodied in a Maxim product. No circuit patent licenses are implied. Maxim reserves the right to change the circuitry and specifications without notice at any time.

Maxim Integrated Products, 120 San Gabriel Drive, Sunnyvale, CA 94086 408-737-7600 \_\_\_\_\_ 11

## Looking for pricing, stock, or lifecycle information?

Click below to explore more details on WIN SOURCE:

- ⊖ [View MAX4784EUE+T on WIN SOURCE](#)
- ⊖ [Maxim Integrated Information](#)

## Optimize Your Supply Chain with WIN SOURCE Solutions

- ✓ Global Sourcing Solution
- ✓ Obsolete Management
- ✓ Cost Control Management
- ✓ Shortage Management
- ✓ Alternative Solution
- ✓ Excess Inventory Management