



Low-Power, Serial, 14-Bit DACs with Force/Sense Voltage Output

MAX5171/MAX5173

General Description

The MAX5171/MAX5173 low-power, serial, voltage-output, 14-bit digital-to-analog converters (DACs) feature a precision output amplifier in a space-saving 16-pin QSOP package. The MAX5171 operates from a +5V single supply, and the MAX5173 operates from a +3V single supply. The output amplifier's inverting input is available to allow specific gain configurations, remote sensing, and high output current capability. This makes the MAX5171/MAX5173 ideal for a wide range of applications, including industrial process control. Both devices draw only 260 μ A of supply current, which reduces to 1 μ A in shutdown mode. In addition, the programmable power-up reset feature allows for a user-selectable output voltage of either 0 or midscale.

The 3-wire serial interface is compatible with SPI™, QSPI™, and MICROWIRE™ standards. An input register followed by a DAC register provides a double-buffered input, allowing the input and DAC registers to be updated independently or simultaneously with a 16-bit serial word. Additional features include software and hardware shutdown, shutdown lockout, a hardware clear pin, and a reference input capable of accepting DC and offset AC signals. These devices provide a programmable digital output pin for added functionality and a serial-data output pin for daisy-chaining. All logic inputs are TTL/CMOS-compatible and are internally buffered with Schmitt triggers to allow direct interfacing to optocouplers.

The MAX5171/MAX5173 incorporate a proprietary on-chip circuit that keeps the output voltage virtually "glitch free," limiting the glitches to a few millivolts during power-up.

Both devices are available in 16-pin QSOP packages and are specified for the extended (-40°C to +85°C) temperature range. The MAX5171/MAX5173 are pin-compatible upgrades to the 12-bit MAX5175/MAX5177. For 100% pin-compatible DACs with an internal reference, see the 13-bit MAX5132/MAX5133 and the 12-bit MAX5122/MAX5123 data sheets.

Applications

Digitally Programmable 4–20mA Current Loops
Industrial Process Control
Digital Offset and Gain Adjustment
Motion Control
Automatic Test Equipment (ATE)
Remote Industrial Controls
 μ P-Controlled Systems

SPI and QSPI are trademarks of Motorola, Inc.

MICROWIRE is a trademark of National Semiconductor Corp.

Rail-to-Rail is a registered trademark of Nippon Motorola, Ltd.



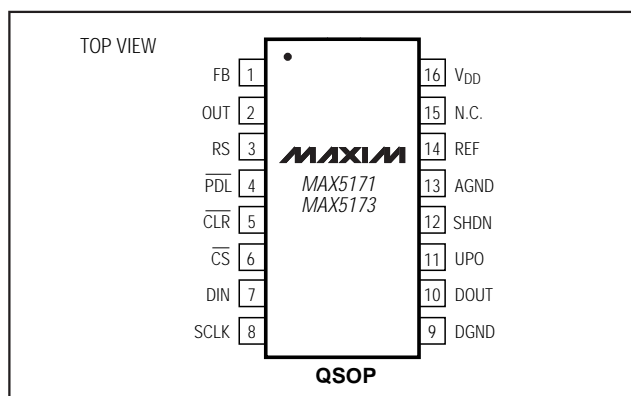
Features

- ◆ ± 1 LSB INL
- ◆ 1 μ A Shutdown Current
- ◆ "Glitch Free" Output Voltage at Power-Up
- ◆ Single-Supply Operation: +5V (MAX5171)
+3V (MAX5173)
- ◆ Full-Scale Output Range:
+2.048V (MAX5173, VREF = +1.25V)
+4.096V (MAX5171, VREF = +2.5V)
- ◆ Rail-to-Rail® Output Amplifier
- ◆ Low THD (-80dB) in Multiplying Operation
- ◆ SPI/QSPI/MICROWIRE-Compatible 3-Wire Serial Interface
- ◆ Programmable Shutdown Mode and Power-Up Reset
- ◆ Buffered Output Capable of Driving 5k Ω || 100pF Loads
- ◆ User-Programmable Digital Output Pin Allows Serial Control of External Components
- ◆ Pin-Compatible Upgrade to the 12-Bit MAX5175/MAX5177

Ordering Information

PART	TEMP. RANGE	PIN-PACKAGE	INL (LSB)
MAX5171AEEE	-40°C to +85°C	16 QSOP	± 1
MAX5171BEEE	-40°C to +85°C	16 QSOP	± 2
MAX5173AEEE	-40°C to +85°C	16 QSOP	± 2
MAX5173BEEE	-40°C to +85°C	16 QSOP	± 4

Pin Configuration



Functional Diagram appears at end of data sheet.

Low-Power, Serial, 14-Bit DACs with Force/Sense Voltage Output

ABSOLUTE MAXIMUM RATINGS

V _{DD} to AGND, DGND	-0.3V to +6.0V
AGND to DGND	-0.3V to +0.3V
Digital Inputs to DGND	-0.3V to +6.0V
DOUT, UPO to DGND	-0.3V to (V _{DD} + 0.3V)
FB, OUT, REF to AGND	-0.3V to (V _{DD} + 0.3V)
Maximum Current into Any Pin	50mA

Continuous Power Dissipation (T _A = +70°C)	
16-pin QSOP (derate 8mW/°C above +70°C)	667mW
Operating Temperature Range	-40°C to +85°C
Storage Temperature Range	-65°C to +150°C
Lead Temperature (soldering, 10sec)	+300°C

Stresses beyond those listed under "Absolute Maximum Ratings" may cause permanent damage to the device. These are stress ratings only, and functional operation of the device at these or any other conditions beyond those indicated in the operational sections of the specifications is not implied. Exposure to absolute maximum rating conditions for extended periods may affect device reliability.

ELECTRICAL CHARACTERISTICS—MAX5171

(V_{DD} = +5.0V ±10%, V_{REF} = +2.5V, AGND = DGND, FB = OUT, R_L = 5kΩ, C_L = 100pF referenced to ground, T_A = T_{MIN} to T_{MAX}, unless otherwise noted. Typical values are at T_A = +25°C.)

PARAMETER	SYMBOL	CONDITIONS	MIN	TYP	MAX	UNITS
STATIC PERFORMANCE						
Resolution			14			Bits
Integral Nonlinearity (Note 1)	INL	MAX5171A			±1	LSB
		MAX5171B			±2	
Differential Nonlinearity	DNL				±1	LSB
Offset Error (Note 2)	V _{OS}				±10	mV
Gain Error	GE	R _L = ∞		-0.6	±4	LSB
		R _L = 5kΩ		-1.6	±8	
Power-Supply Rejection Ratio	PSRR			10	120	μV/V
Output Noise Voltage		f = 100kHz		1		LSBp-p
Output Thermal Noise Density				50		nV/√Hz
REFERENCE						
Reference Input Range	V _{REF}		0		V _{DD} - 1.4	V
Reference Input Resistance	R _{REF}		18			kΩ
MULTIPLYING-MODE PERFORMANCE						
Reference -3dB Bandwidth		V _{REF} = 0.5Vp-p + 2.5V _{DC} , slew-rate limited		350		kHz
Reference Feedthrough		V _{REF} = 3.6Vp-p + 1.8V _{DC} , f = 1kHz, code = all 0s		-84		dB
Signal-to-Noise Plus Distortion Ratio	SINAD	V _{REF} = 1.4Vp-p + 2.5V _{DC} , f = 10kHz, code = 3FFF hex		84		dB
DIGITAL INPUTS						
Input High Voltage	V _{IH}		3			V
Input Low Voltage	V _{IL}				0.8	V
Input Hysteresis	V _{HYS}			200		mV
Input Leakage Current	I _{IN}	V _{IN} = 0 or V _{DD}		0.001	±1	μA
Input Capacitance	C _{IN}			8		pF
DIGITAL OUTPUTS						
Output High Voltage	V _{OH}	I _{SOURCE} = 2mA		V _{DD} - 0.5		V
Output Low Voltage	V _{OL}	I _{SINK} = 2mA		0.13	0.4	V

Low-Power, Serial, 14-Bit DACs with Force/Sense Voltage Output

MAX5171/MAX5173

ELECTRICAL CHARACTERISTICS—MAX5171 (continued)

($V_{DD} = +5V \pm 10\%$, $V_{REF} = +2.5V$, $AGND = DGND$, $FB = OUT$, $R_L = 5k\Omega$, $C_L = 100pF$ referenced to ground, $T_A = T_{MIN}$ to T_{MAX} , unless otherwise noted. Typical values are at $T_A = +25^\circ C$.)

PARAMETER	SYMBOL	CONDITIONS	MIN	TYP	MAX	UNITS
DYNAMIC PERFORMANCE						
Voltage Output Slew Rate	SR			0.6		V/ μ s
Output Settling Time		To $\pm 0.5LSB$, from 10mV to full scale		12		μ s
Output Voltage Swing (Note 3)			0		V_{DD}	V
Current into FB			-0.1	0	0.1	μ A
Time Required to Exit Shutdown				40		μ s
Digital Feedthrough		$\overline{CS} = V_{DD}$; $f_{SCLK} = 100kHz$, $V_{SCLK} = 5Vp-p$		1		nV-s
POWER SUPPLIES						
Positive Supply Voltage	V_{DD}		4.5		5.5	V
Power-Supply Current (Note 4)	I_{DD}			0.26	0.35	mA
Shutdown Current (Note 4)				1	10	μ A
TIMING CHARACTERISTICS						
SCLK Clock Period	t_{CP}		100			ns
SCLK Pulse Width High	t_{CH}		40			ns
SCLK Pulse Width Low	t_{CL}		40			ns
\overline{CS} Fall to SCLK Rise Setup Time	t_{CSS}		40			ns
SCLK Rise to \overline{CS} Rise Hold Time	t_{CSH}		0			ns
SDI Setup Time	t_{DS}		40			ns
SDI Hold Time	t_{DH}		0			ns
SCLK Rise to DOUT Valid Propagation Delay	t_{DO1}	$C_{LOAD} = 200pF$			80	ns
SCLK Fall to DOUT Valid Propagation Delay	t_{DO2}	$C_{LOAD} = 200pF$			80	ns
SCLK Rise to \overline{CS} Fall Delay	t_{CS0}		10			ns
\overline{CS} Rise to SCLK Rise Hold Time	t_{CS1}		40			ns
\overline{CS} Pulse Width High	t_{CSW}		100			ns

Low-Power, Serial, 14-Bit DACs with Force/Sense Voltage Output

ELECTRICAL CHARACTERISTICS—MAX5173

($V_{DD} = +2.7V$ to $+3.6V$, $V_{REF} = 1.25V$, $AGND = DGND$, $FB = OUT$, $R_L = 5k\Omega$, $C_L = 100pF$ referenced to ground, $T_A = T_{MIN}$ to T_{MAX} , unless otherwise noted. Typical values are at $T_A = +25^\circ C$).

PARAMETER	SYMBOL	CONDITIONS	MIN	TYP	MAX	UNITS
STATIC PERFORMANCE						
Resolution			14			Bits
Integral Nonlinearity (Note 5)	INL	MAX5173A			± 2	LSB
		MAX5173B			± 4	
Differential Nonlinearity	DNL				± 1	LSB
Offset Error (Note 2)	V_{OS}				± 10	mV
Gain Error	GE	$R_L = \infty$		-0.6	± 4	LSB
		$R_L = 5k\Omega$		-1.6	± 8	
Power-Supply Rejection Ratio	PSRR			10	120	$\mu V/V$
Output Noise Voltage		$f = 100kHz$		2		LSBp-p
Output Thermal Noise Density				50		nV/\sqrt{Hz}
REFERENCE						
Reference Input Range	V_{REF}		0		$V_{DD} - 1.4$	V
Reference Input Resistance	R_{REF}		18			$k\Omega$
MULTIPLYING-MODE PERFORMANCE						
Reference -3dB Bandwidth		$V_{REF} = 0.5V_{p-p} + 1.25V_{DC}$, slew-rate limited		350		kHz
Reference Feedthrough		$V_{REF} = 1.6V_{p-p} + 0.8V_{DC}$, $f = 1kHz$, code = all 0s		-84		dB
Signal-to-Noise Plus Distortion Ratio	SINAD	$V_{REF} = 0.9V_{p-p} + 1.25V_{DC}$, $f = 10kHz$, code = 3 FFF Hex		78		dB
DIGITAL INPUTS						
Input High Voltage	V_{IH}		2.2			V
Input Low Voltage	V_{IL}				0.8	V
Input Hysteresis	V_{HYS}			200		mV
Input Leakage Current	I_{IN}	$V_{IN} = 0$ or V_{DD}	-1	0.001	± 1	μA
Input Capacitance	C_{IN}			8		pF
DIGITAL OUTPUTS						
Output High Voltage	V_{OH}	$I_{SOURCE} = 2mA$	$V_{DD} - 0.5$			V
Output Low Voltage	V_{OL}	$I_{SINK} = 2mA$		0.13	0.4	V

Low-Power, Serial, 14-Bit DACs with Force/Sense Voltage Output

MAX5171/MAX5173

ELECTRICAL CHARACTERISTICS—MAX5173 (continued)

($V_{DD} = +2.7V$ to $+3.6V$, $V_{REF} = 1.25V$, $AGND = DGND$, $FB = OUT$, $R_L = 5k\Omega$, $C_L = 100pF$ referenced to ground, $T_A = T_{MIN}$ to T_{MAX} , unless otherwise noted. Typical values are at $T_A = +25^\circ C$).

PARAMETER	SYMBOL	CONDITIONS	MIN	TYP	MAX	UNITS
DYNAMIC PERFORMANCE						
Voltage Output Slew Rate	SR			0.6		V/ μ s
Output Settling Time		To $\pm 0.5LSB$, from 10mV to full-scale		12		μ s
Output Voltage Swing (Note 3)			0		V_{DD}	V
Current into FB			-0.1	0	0.1	μ A
Time Required to Exit Shutdown				40		μ s
Digital Feedthrough		$\overline{CS} = V_{DD}$, $DIN = 50kHz$; $f_{SCLK} = 100kHz$, $V_{SCLK} = 3Vp-p$		1		nV-s
POWER SUPPLIES						
Positive Supply Voltage	V_{DD}		2.7		3.6	V
Power-Supply Current (Note 4)	I_{DD}			0.26	0.35	mA
Shutdown Current (Note 4)				1	10	μ A
TIMING CHARACTERISTICS						
SCLK Clock Period	t_{CP}		150			ns
SCLK Pulse Width High	t_{CH}		75			ns
SCLK Pulse Width Low	t_{CL}		75			ns
\overline{CS} Fall to SCLK Rise Setup Time	t_{CSS}		60			ns
SCLK Rise to \overline{CS} Rise Hold Time	t_{CSS}		0			ns
SDI Setup Time	t_{DS}		60			ns
SDI Hold Time	t_{DH}		0			ns
SCLK Rise to DOUT Valid Propagation Delay	t_{DO1}	$C_{LOAD} = 200pF$			200	ns
SCLK Fall to DOUT Valid Propagation Delay	t_{DO2}	$C_{LOAD} = 200pF$			200	ns
SCLK Rise to \overline{CS} Fall Delay	t_{CS0}		10			ns
\overline{CS} Rise to SCLK Rise Hold Time	t_{CS1}		75			ns
\overline{CS} Pulse Width High	t_{CSW}		150			ns

Note 1: INL guaranteed between codes 64 and 16383.

Note 2: Offset is measured at the code that comes closest to 10mV.

Note 3: Accuracy is better than 1.0 LSB for $V_{OUT} = 10mV$ to $V_{DD} - 180mV$. Guaranteed by PSR test on end points.

Note 4: $R_L =$ open and digital inputs are either V_{DD} or $DGND$.

Note 5: INL guaranteed between codes 128 and 16383.

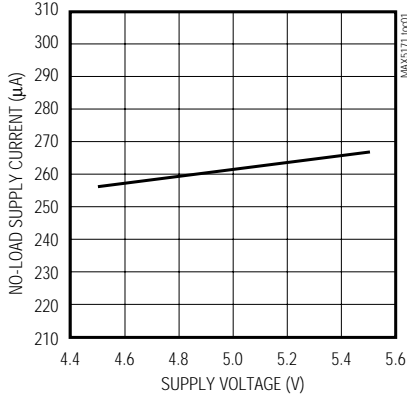
Low-Power, Serial, 14-Bit DACs with Force/Sense Voltage Output

Typical Operating Characteristics

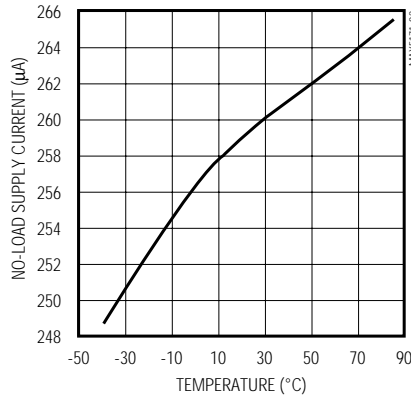
(MAX5171: $V_{DD} = +5V$, $V_{REF} = 2.5V$; MAX5173: $V_{DD} = +3V$, $V_{REF} = 1.25V$; $C_L = 100pF$, $FB = OUT$, code = 3FFF hex, $T_A = +25^\circ C$, unless otherwise noted.)

MAX5171

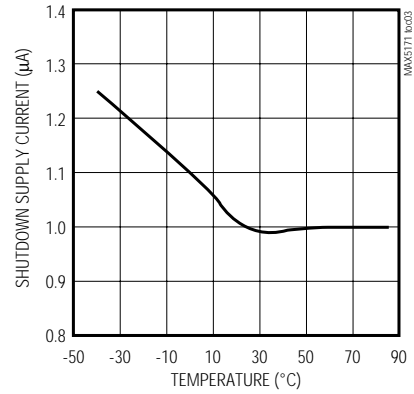
NO LOAD SUPPLY CURRENT vs. SUPPLY VOLTAGE



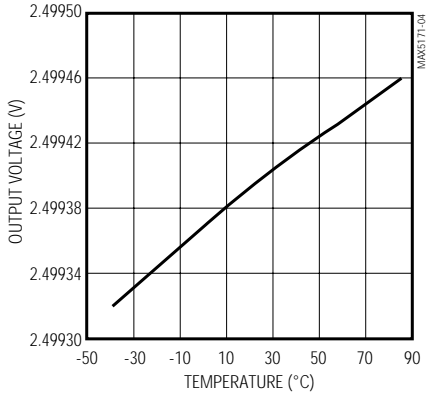
NO LOAD SUPPLY CURRENT vs. TEMPERATURE



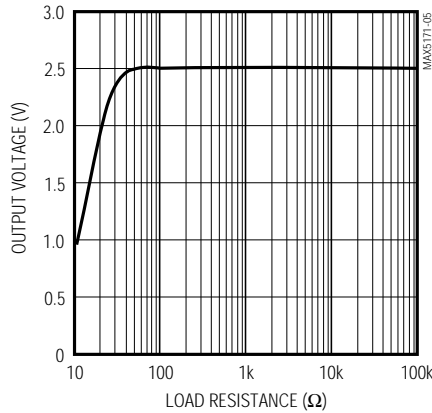
SHUTDOWN SUPPLY CURRENT vs. TEMPERATURE



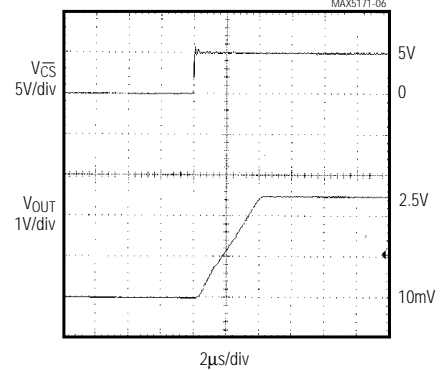
OUTPUT VOLTAGE vs. TEMPERATURE



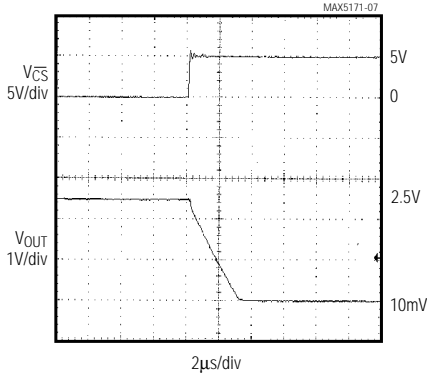
OUTPUT VOLTAGE vs. LOAD RESISTANCE



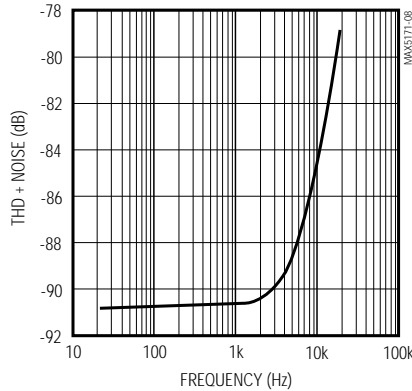
DYNAMIC RESPONSE



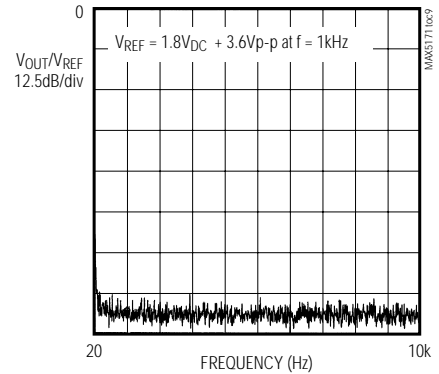
DYNAMIC RESPONSE



TOTAL HARMONIC DISTORTION PLUS NOISE vs. FREQUENCY



REFERENCE FEEDTHROUGH



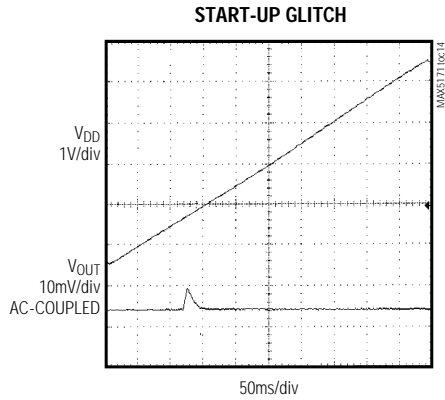
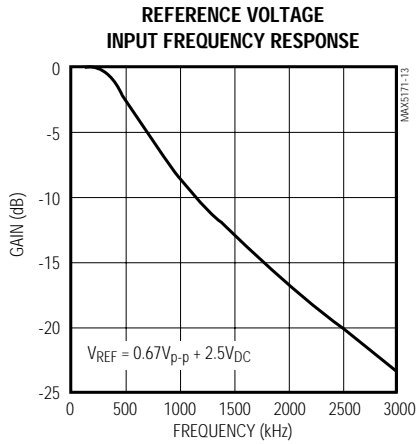
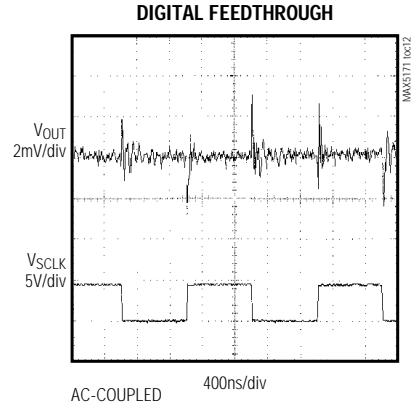
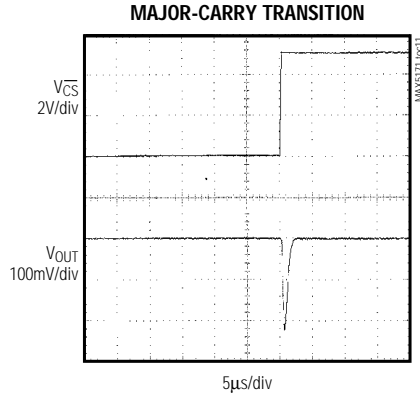
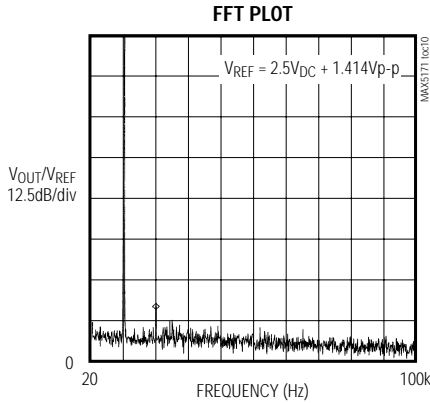
Low-Power, Serial, 14-Bit DACs with Force/Sense Voltage Output

Typical Operating Characteristics (continued)

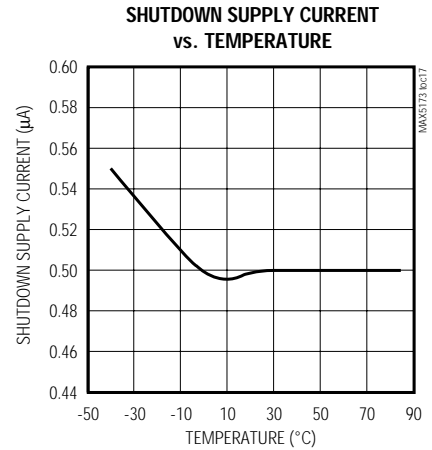
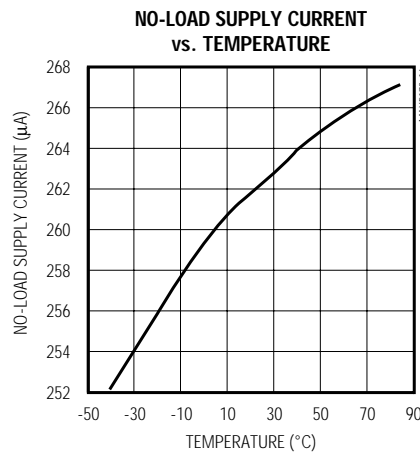
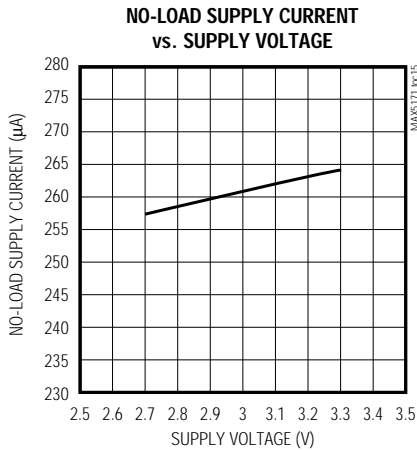
(MAX5171: $V_{DD} = +5V$, $V_{REF} = 2.5V$; MAX5173: $V_{DD} = +3V$, $V_{REF} = 1.25V$; $C_L = 100pF$, $FB = OUT$, code = 3FFF hex, $T_A = +25^\circ C$, unless otherwise noted.)

MAX5171/MAX5173

MAX5171



MAX5173

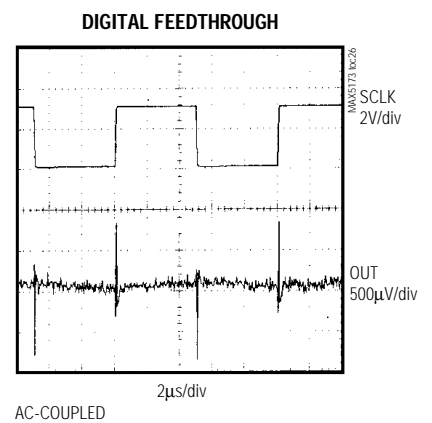
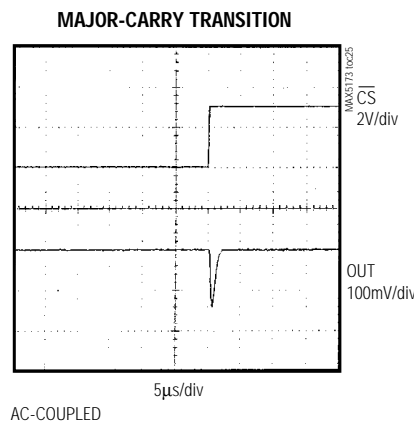
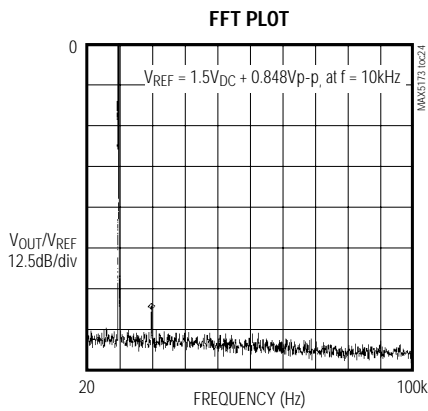
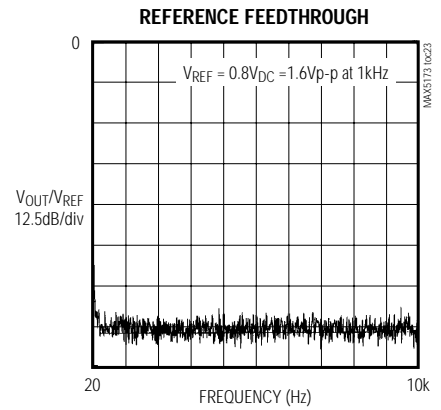
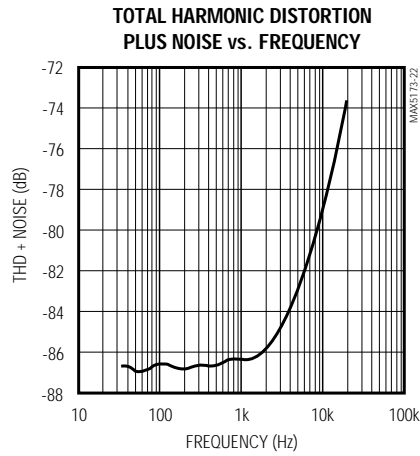
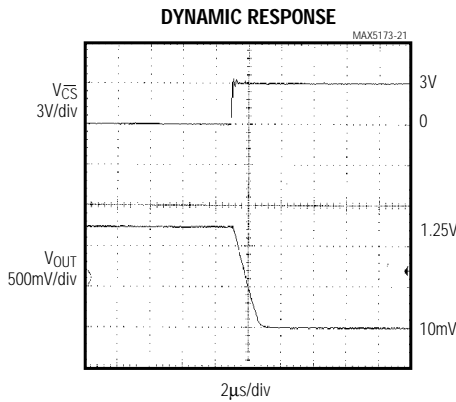
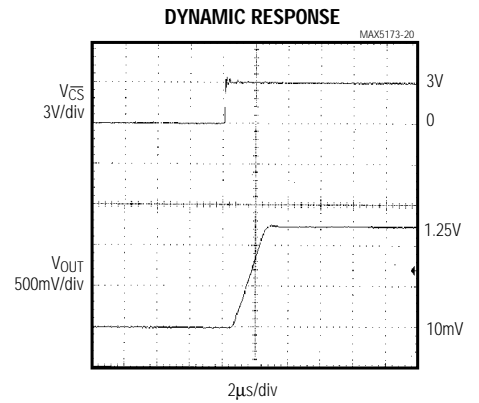
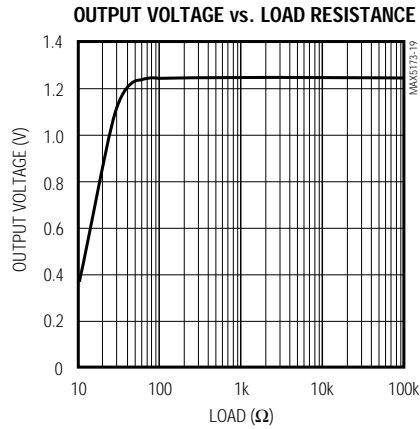
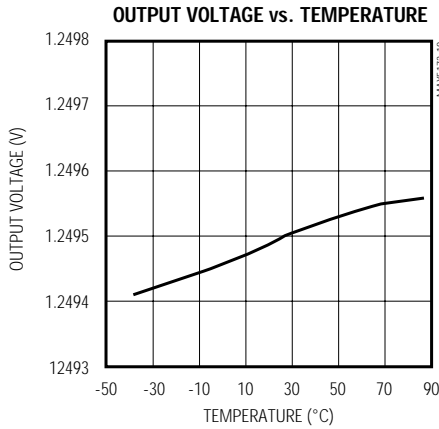


Low-Power, Serial, 14-Bit DACs with Force/Sense Voltage Output

Typical Operating Characteristics (continued)

(MAX5171: $V_{DD} = +5V$, $V_{REF} = 2.5V$; MAX5173: $V_{DD} = +3V$, $V_{REF} = 1.25V$; $C_L = 100pF$, $FB = OUT$, code = 3FFF hex, $T_A = +25^\circ C$, unless otherwise noted.)

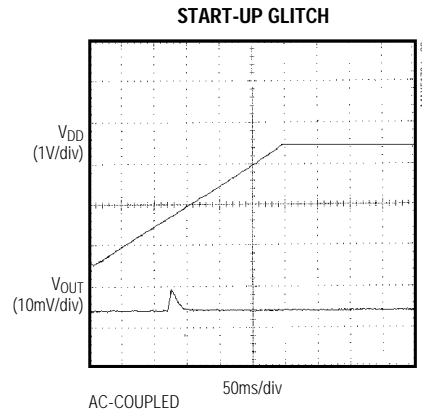
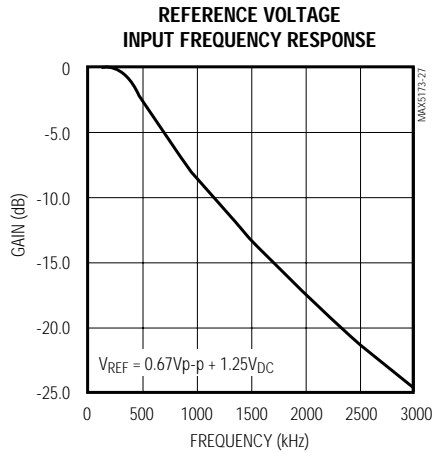
MAX5173



Low-Power, Serial, 14-Bit DACs with Force/Sense Voltage Output

Typical Operating Characteristics (continued)

(MAX5171: $V_{DD} = +5V$, $V_{REF} = 2.5V$; MAX5173: $V_{DD} = +3V$, $V_{REF} = 1.25V$; $C_L = 100pF$, $FB = OUT$, code = 3FFF hex, $T_A = +25^\circ C$, unless otherwise noted.)



MAX5171/MAX5173

Pin Description

PIN	NAME	FUNCTION
1	FB	Feedback Input
2	OUT	Voltage Output. High impedance in shutdown. Output voltage is limited to V_{DD} .
3	RS	Reset Mode Select (digital input). Connect to V_{DD} to select midscale reset output value. Connect to DGND to select 0 reset output value.
4	\overline{PDL}	Power-Down Lockout (digital input). Connect to V_{DD} to allow shutdown. Connect to DGND to disable shutdown.
5	\overline{CLR}	Clear DAC (digital input). Clears the DAC to its predetermined output state as set by RS.
6	\overline{CS}	Chip-Select Input (digital input)
7	DIN	Serial-Data Input (digital input). Data is clocked in on the rising edge of SCLK.
8	SCLK	Serial Clock Input (digital input)
9	DGND	Digital Ground
10	DOUT	Serial-Data Output
11	UPO	User-Programmable Output. State is set by serial input.
12	SHDN	Shutdown (digital input). Pulling SHDN high when $\overline{PDL} = V_{DD}$ places the chip in shutdown mode with a maximum shutdown current of $10\mu A$.
13	AGND	Analog Ground
14	REF	Reference Input. Maximum V_{REF} is $V_{DD} - 1.4V$.
15	N.C.	No Connection
16	V_{DD}	Positive Supply. Bypass to AGND with a $4.7\mu F$ capacitor in parallel with a $0.1\mu F$ capacitor.

Low-Power, Serial, 14-Bit DACs with Force/Sense Voltage Output

Detailed Description

The MAX5171/MAX5173 14-bit, serial, voltage-output DACs operate with a 3-wire serial interface. These devices include a 16-bit shift register and a double-buffered input composed of an input register and a DAC register (see *Functional Diagram*). In addition, the negative terminal of the output amplifier is available. The DACs are designed with an inverted R-2R ladder network (Figure 1), which produces a weighted voltage proportional to the reference voltage.

Reference Input

The reference input accepts both AC and DC values with a voltage range extending from 0 to $V_{DD} - 1.4V$. The following equation represents the resulting output voltage:

$$V_{OUT} = \frac{V_{REF} \cdot N \cdot \text{Gain}}{16384}$$

where N is the numeric value of the DAC's binary input code (0 to 16383), V_{REF} is the reference voltage, and Gain is the externally set voltage gain. The maximum output voltage is V_{DD} . The reference pin has a minimum impedance of $18k\Omega$ and is code dependent.

Output Amplifier

The MAX5171/MAX5173's DAC output is internally buffered by a precision amplifier with a typical slew rate of $0.6V/\mu s$. Access to the output amplifier's inverting input provides flexibility in output gain setting and signal conditioning (see *Applications Information*).

The output amplifier settles to $\pm 0.5LSB$ from a full-scale transition within $12\mu s$, when loaded with $5k\Omega$ in parallel with $100pF$. Loads less than $2k\Omega$ degrade performance.

Shutdown Mode

The MAX5171/MAX5173 feature a software- and hardware-programmable shutdown mode that reduces the typical supply current to $1\mu A$. Enter shutdown by writing the appropriate input-control word as shown in Table 1, or by using the hardware shutdown. In shutdown mode, the reference input and amplifier output become high-impedance, and the serial interface remains active. Data in the input register is saved, allowing the MAX5171/MAX5173 to recall the prior output state when returning to normal operation. To exit shutdown, reload the DAC register from the shift register by simultaneously loading the input and DAC registers or by toggling \overline{PDL} . When returning from shutdown, wait $40\mu s$ for the output to settle.

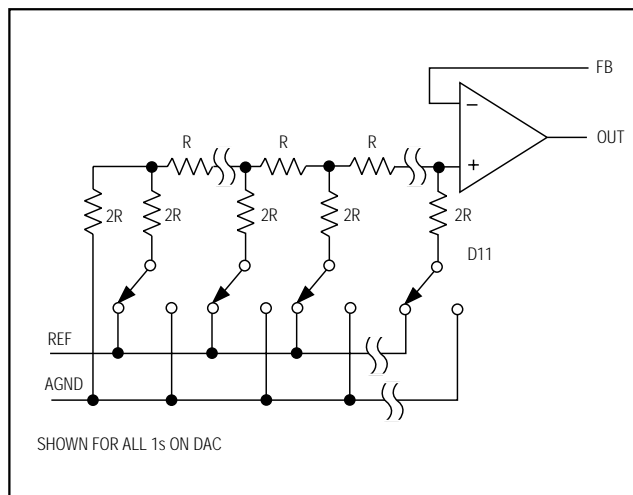


Figure 1. Simplified DAC Circuit Diagram

Power-Down Lockout

Power-down lockout disables the software/hardware shutdown mode. A high-to-low transition on \overline{PDL} brings the device out of shutdown, returning the output to its previous state.

Shutdown

Pulling SHDN high while \overline{PDL} is high places the MAX5171/MAX5173 in shutdown mode. Pulling SHDN low does not return the device to normal operation. A high-to-low transition on \overline{PDL} or an appropriate command from the serial data line is required to exit shutdown (see Table 1 for commands).

Serial Interface

The MAX5171/MAX5173 3-wire serial interface is compatible with SPI/QSPI (Figure 2) and MICROWIRE (Figure 3) interface standards. The 16-bit serial input word consists of two control bits and 14 bits of data (MSB to LSB).

The control bits determine the MAX5171/MAX5173's response as outlined in Table 1. The MAX5171/MAX5173's digital inputs are double buffered, which allows any of the following:

- Loading the input register without updating the DAC register.
- Updating the DAC register from the input register.
- Updating the input and DAC registers simultaneously.

Low-Power, Serial, 14-Bit DACs with Force/Sense Voltage Output

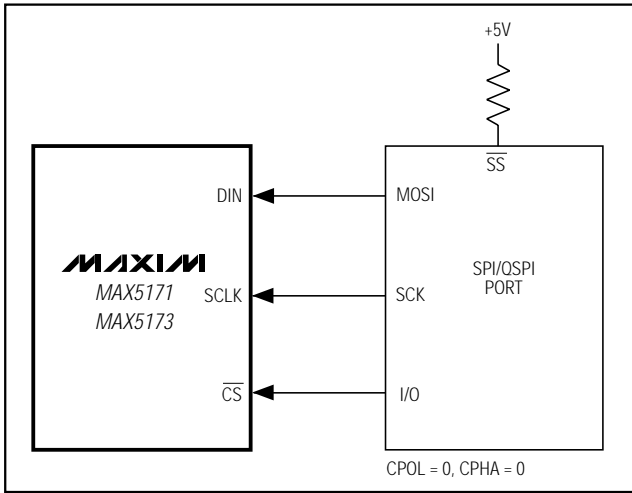


Figure 2. Connections for SPI/QSPI

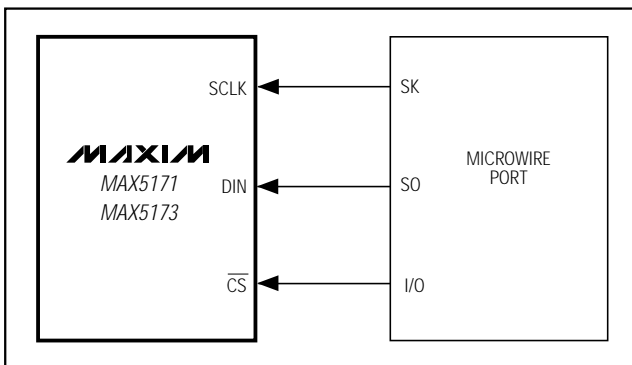


Figure 3. Connections for MICROWIRE

The MAX5171/MAX5173 accepts one 16-bit packet or two 8-bit packets sent while \overline{CS} remains low. The MAX5171/MAX5173 allow the following to be configured:

- Clock edge on which serial data output (DOUT) is clocked.
- State of the user-programmable logic output.
- Configuration of the reset state.

Specific commands for setting these are shown in Table 1.

The general timing diagram in Figure 4 illustrates how the MAX5171/MAX5173 acquire data. \overline{CS} must go low at least t_{CSS} before the rising edge of the serial clock (SCLK). With \overline{CS} low, data is clocked into the register on the rising edge of SCLK. The maximum serial clock frequency guaranteed for proper operation is 10MHz for the MAX5171 and 6MHz for the MAX5173. See Figure 5 for a detailed timing diagram of the serial interface.

Serial Data Output (DOUT)

The serial-data output, DOUT, is the internal shift register's output; it allows for daisy-chaining of multiple devices as well as data readback (see *Applications Information*). By default upon start-up, data shifts out of DOUT on the serial clock's rising edge (Mode 0) and provides a lag of 16 clock cycles, thus maintaining SPI, QSPI, and MICROWIRE compatibility. However, if the device is programmed for Mode 1, then the output data lags DIN by 16.5 clock cycles and is clocked out on the serial clock's rising edge. During shutdown, DOUT retains its last digital state prior to shutdown.

User-Programmable Logic Output (UPO)

The UPO allows control of an external device through the serial interface, thereby reducing the number of

Table 1. Serial-Interface Programming Commands

16-BIT SERIAL WORD			FUNCTION
C1	C0	D13.....D0	
0	0	14-bit DAC data	Load input register; DAC registers are unchanged.
0	1	14-bit DAC data	Load input register; DAC registers are updated (start up DAC with new data).
1	0	x x x xxx xxxx xxxx	Update DAC register from input register (start up DAC with data previously stored in the input registers).
1	1	0 0 x xxx xxxx xxxx	No operation (NOP).
1	1	0 1 x xxx xxxx xxxx	Shut down DAC (provided $\overline{PDL} = 1$).
1	1	1 0 0 xxx xxxx xxxx	UPO goes low (default).
1	1	1 0 1 xxx xxxx xxxx	UPO goes high.
1	1	1 1 0 xxx xxxx xxxx	Mode 1, DOUT clocked out on SCLK's rising edge.
1	1	1 1 1 xxx xxxx xxxx	Mode 0, DOUT clocked out on SCLK's falling edge (default).

Low-Power, Serial, 14-Bit DACs with Force/Sense Voltage Output

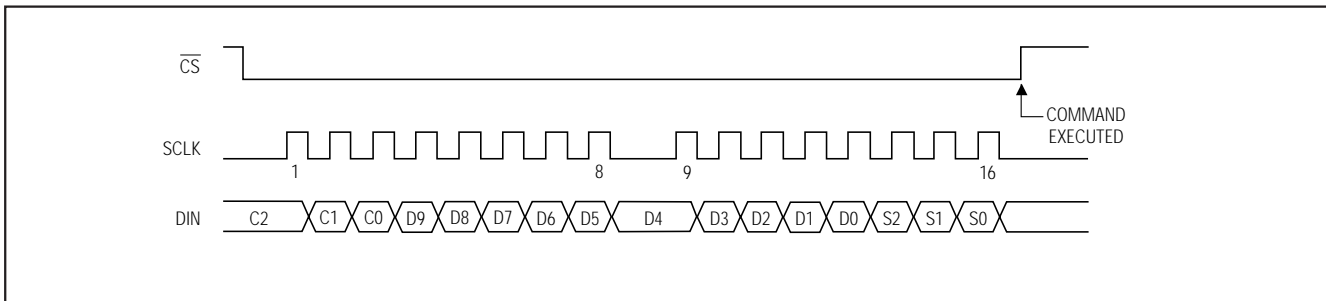


Figure 4. Serial-Interface Timing Diagram

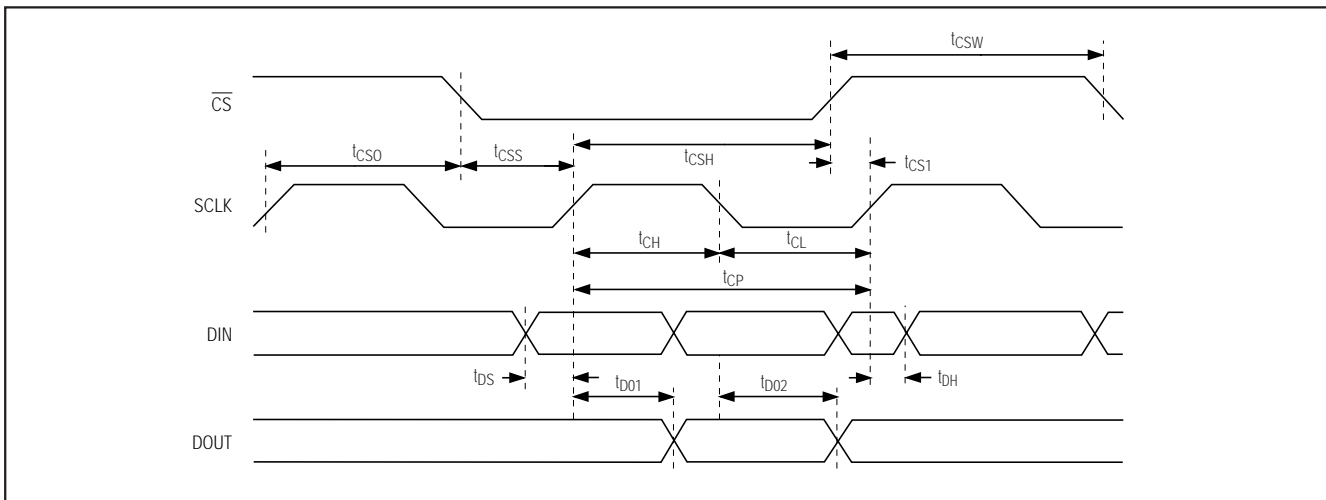


Figure 5. Detailed Serial-Interface Timing Diagram

microcontroller I/O pins required. During power-down, this output will retain its digital state prior to shutdown. When $\overline{\text{CLR}}$ is pulled low, UPO will reset to its programmed default state. See Table 1 for specific commands to control the UPO.

Reset (RS) and Clear ($\overline{\text{CLR}}$)

The MAX5171/MAX5173 offers a clear pin which resets the output voltage. If $\text{RST} = \text{DGND}$, then $\overline{\text{CLR}}$ resets the output voltage to the minimum voltage (0 if no offset is introduced). If $\text{RST} = \text{VDD}$, then $\overline{\text{CLR}}$ resets the output voltage to midscale. In either case, $\overline{\text{CLR}}$ resets UPO to its programmed default state.

Applications Information

Unipolar Output

Figure 6 shows the MAX5171/MAX5173 configured for unipolar, rail-to-rail operation with a gain of $+2\text{V/V}$. Table 2 lists the codes for unipolar output voltages. The output voltage is limited to VDD .

Bipolar Output

Figure 7 shows the MAX5171/MAX5173 configured for bipolar output operation. The output voltage is given by the following equation ($\text{FB} = \text{OUT}$):

$$V_{\text{OUT}} = V_{\text{REF}} \left(\frac{2 \cdot N}{16384} - 1 \right)$$

where N represents the numeric value of the DAC's binary input code and V_{REF} is the voltage of the external reference. Table 3 shows digital codes and the corresponding output voltage for Figure 7's circuit.

Low-Power, Serial, 14-Bit DACs with Force/Sense Voltage Output

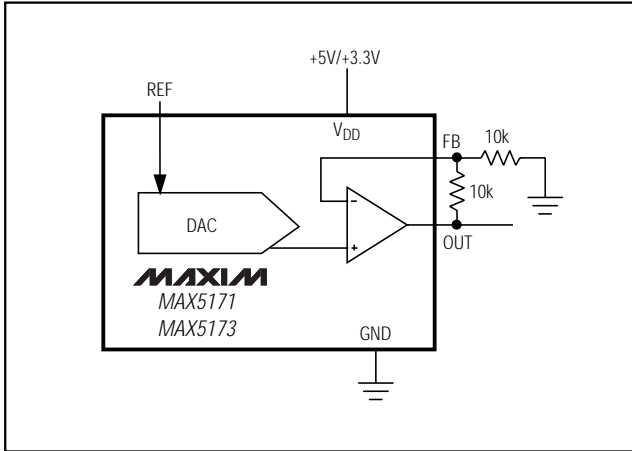


Figure 6. Unipolar Output Circuit (Rail-to-Rail)

Table 2. Unipolar Code Table (Circuit of Figure 6)

DAC CONTENTS MSB	LSB	ANALOG OUTPUT
11 1111 1111 1111		$2 \cdot V_{REF}$ (16383/16384)
10 0000 0000 0001		$2 \cdot V_{REF}$ (8193/16384)
10 0000 0000 0000		$2 \cdot V_{REF}$ (8192/16384)
01 1111 1111 1111		$2 \cdot V_{REF}$ (8191/16384)
00 0000 0000 0001		$2 \cdot V_{REF}$ (1/16384)
00 0000 0000 0000		0

Daisy-Chaining Devices

The serial data output pin (DOUT) allows multiple MAX5171/MAX5173s to be daisy-chained together, as shown in Figure 8. The advantage of this is that only two lines are needed to control all of the DACs on the line. The disadvantage is that it takes n commands to program the DACs. Figure 9 shows several MAX5171/MAX5173s sharing one common DIN signal line. In this configuration, the data bus is common to all devices. However, this configuration uses more I/O lines because each device requires a dedicated \overline{CS} line. The benefit is that only one command is needed to program any DAC.

Using an AC Reference

The MAX5171/MAX5173 accepts reference voltages with AC components as long as the reference voltage remains between 0 and $V_{DD} - 1.4V$. Figure 10 shows a technique for applying a sine-wave signal to the REF. The reference voltage must remain above AGND.

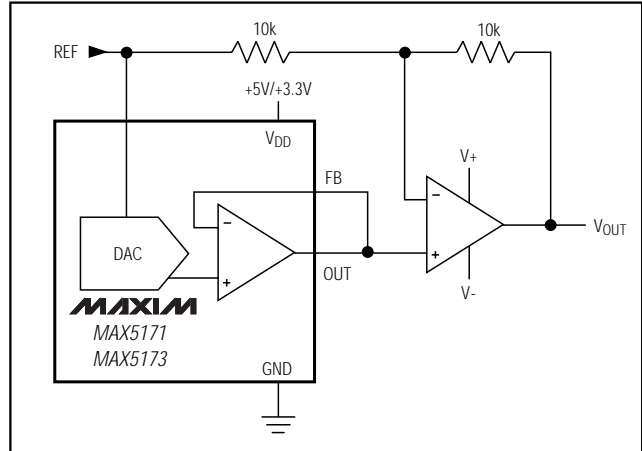


Figure 7. Bipolar Output Circuit

Table 3. Bipolar Code Table (Circuit of Figure 7)

DAC CONTENTS MSB	LSB	ANALOG OUTPUT
11 1111 1111 1111		$+V_{REF} [(2 \cdot 16383/16384) - 1]$
10 0000 0000 0001		$+V_{REF} [(2 \cdot 8193/16384) - 1]$
10 0000 0000 0000		$+V_{REF} [(2 \cdot 8192/16384) - 1]$
01 1111 1111 1111		$+V_{REF} [(2 \cdot 8191/16384) - 1]$
00 0000 0000 0001		$+V_{REF} [(2 \cdot 1/16384) - 1]$
00 0000 0000 0000		$-V_{REF}$

Digitally Programmable Current Source

The circuit of Figure 11 places an NPN transistor (2N3904 or similar) within the op amp feedback loop to implement a digitally programmable, unidirectional current source. The output current is calculated with the following equation:

$$I_{OUT} = \frac{V_{REF} \cdot N}{R \cdot 16384}$$

where N is the numeric value of the DAC's binary input code and R is the sense resistor shown in Figure 11.

Low-Power, Serial, 14-Bit DACs with Force/Sense Voltage Output

Power-Supply and Layout Considerations
Wire-wrap boards are not recommended. For optimum system performance, use PC boards with separate analog and digital ground planes. Connect the two ground planes together at the low-impedance power-supply source. Connect the DGND and AGND pins together at the IC. The best ground connection is achieved by connecting the DAC's DGND and AGND pins together and connecting that point to the system analog ground plane. If the DAC's DGND is connected to the system digital ground, digital noise may get through to the DAC's analog portion.

Bypass the power supply with a 4.7 μ F capacitor in parallel with a 0.1 μ F capacitor to AGND. Minimize the capacitor lead lengths to reduce inductance. If noise becomes an issue, use shielding and/or ferrite beads to increase isolation.

To maintain INL and DNL performance, as well as gain drift, it is extremely important to provide the lowest possible reference output impedance at the DAC reference input pin. INL degrades if the series resistance on the REF pin exceeds 0.1 Ω . The same consideration must be made for the AGND pin.

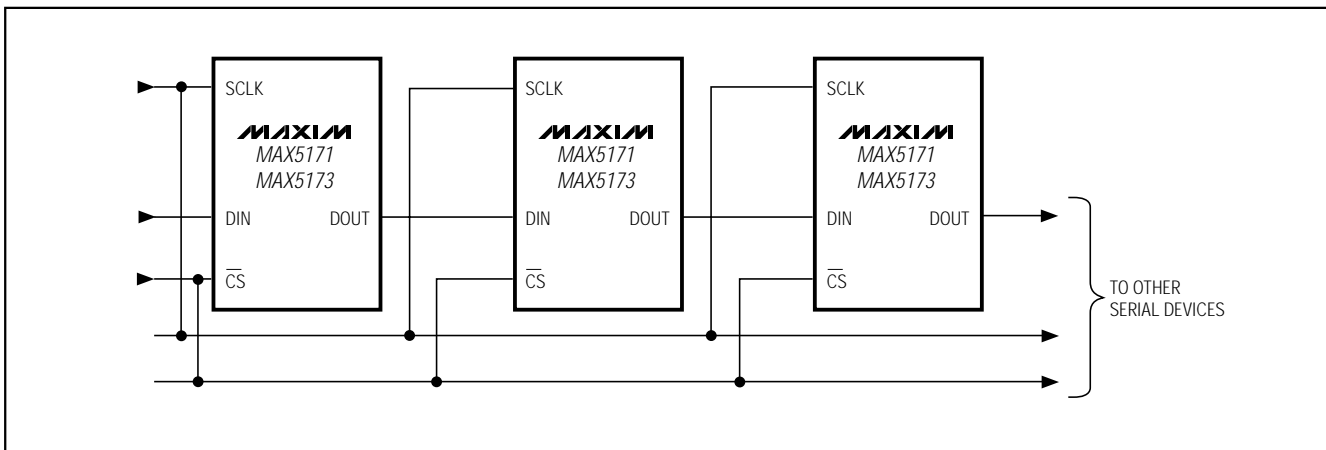


Figure 8. Daisy-Chaining MAX5171/MAX5173 Devices

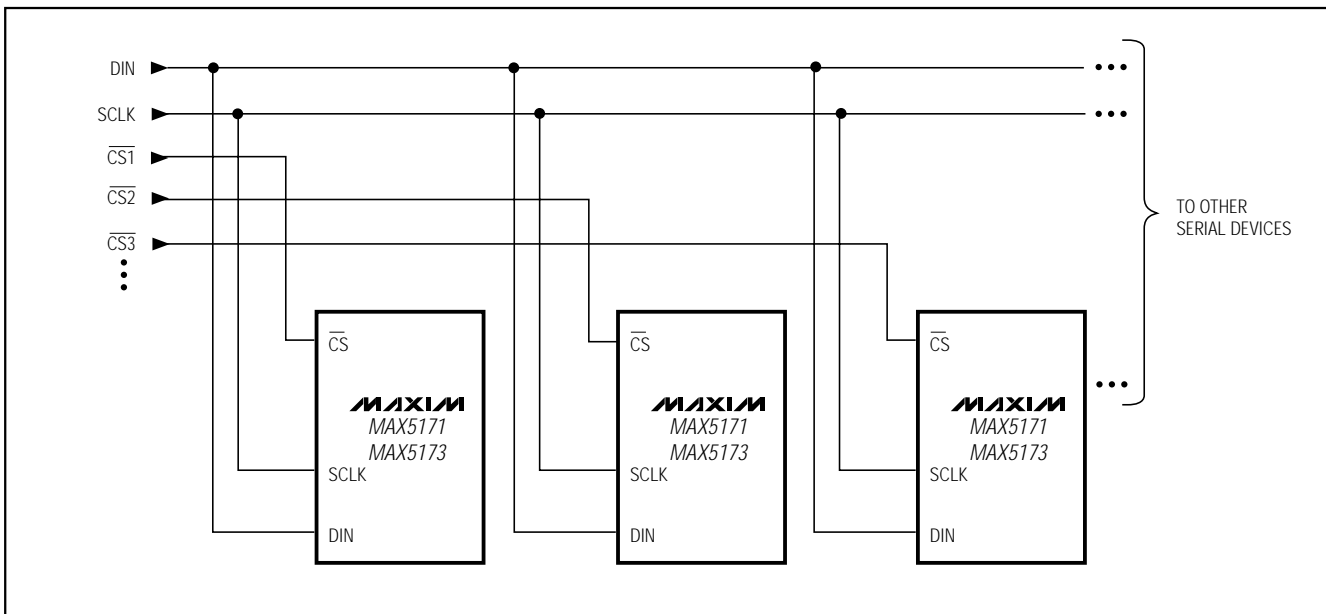


Figure 9. Multiple MAX5171/MAX5173s Sharing Common DIN and SCLK Lines

Low-Power, Serial, 14-Bit DACs with Force/Sense Voltage Output

MAX5171/MAX5173

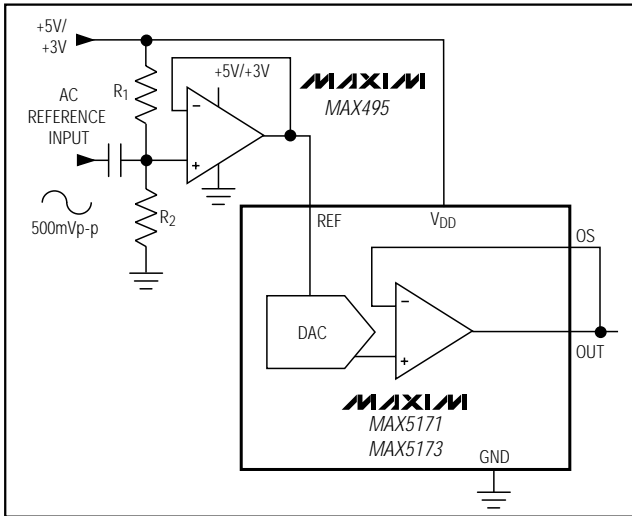


Figure 10. AC Reference Input Circuit

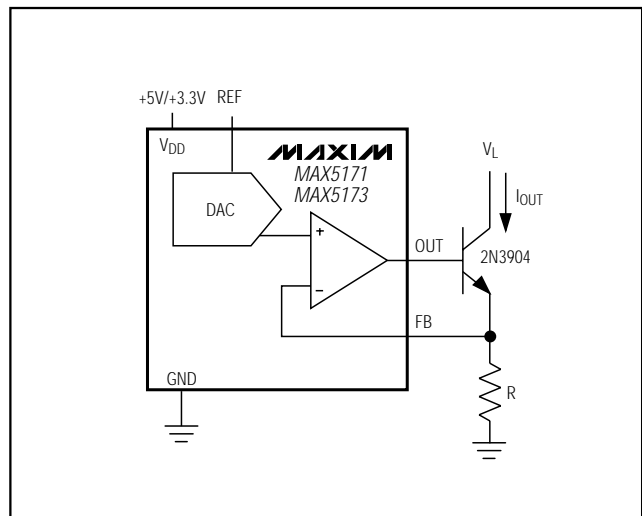
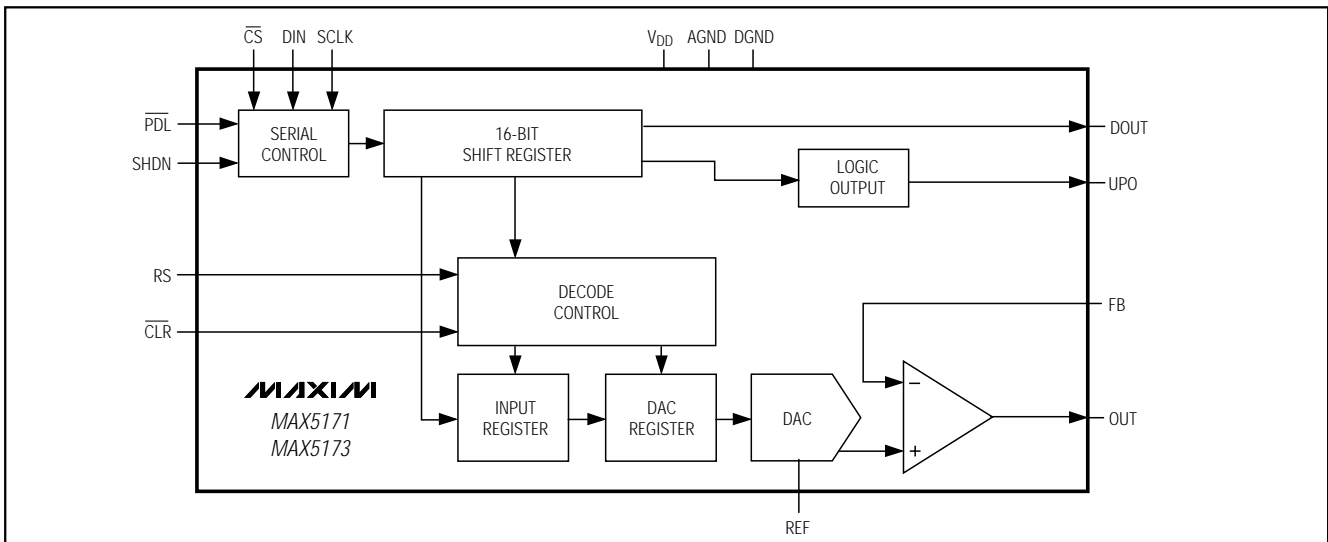


Figure 11. Digitally Programmable Current Source

Functional Diagram



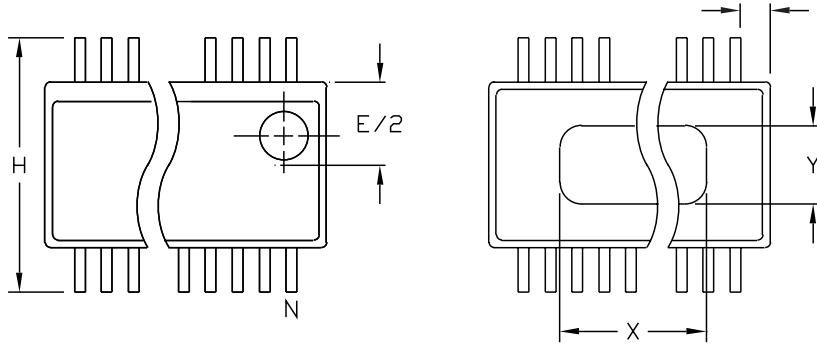
Chip Information

TRANSISTOR COUNT: 3457

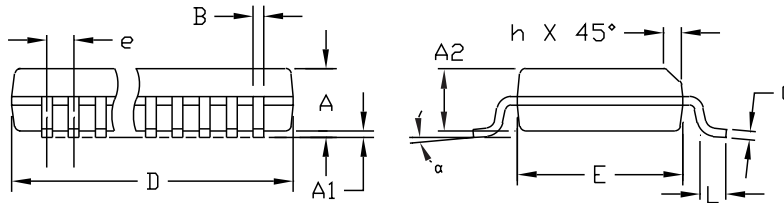
Low-Power, Serial, 14-Bit DACs with Force/Sense Voltage Output

Package Information

OSOP.EPS



DIM	INCHES		MILLIMETERS	
	MIN	MAX	MIN	MAX
A	.061	.068	1.55	1.73
A1	.004	.0098	0.102	0.249
A2	.055	.061	1.40	1.55
B	.008	.012	0.20	0.31
C	.0075	.0098	0.191	0.249
D	SEE VARIATIONS			
E	.150	.157	3.81	3.99
e	.025 BSC		0.635 BSC	
H	.230	.244	5.84	6.20
h	.010	.016	0.25	0.41
L	.016	.035	0.41	0.89
N	SEE VARIATIONS			
X	SEE VARIATIONS			
Y	.071	.087	1.803	2.209
α	0°	8°	0°	8°



VARIATIONS:

DIM	INCHES		MILLIMETERS		N
	MIN	MAX	MIN	MAX	
D	.189	.196	4.80	4.98	16 AA
S	.0020	.0070	0.05	0.18	
X	.107	.123	2.72	3.12	
D	.337	.344	8.56	8.74	20 AB
S	.0500	.0550	1.270	1.397	
D	.337	.344	8.56	8.74	24 AC
S	.0250	.0300	0.635	0.762	
D	.386	.393	9.80	9.98	28 AD
S	.0250	.0300	0.635	0.762	
X	.271	.287	6.88	7.29	

NOTES:

1. D & E DO NOT INCLUDE MOLD FLASH OR PROTRUSIONS
2. MOLD FLASH OR PROTRUSIONS NOT TO EXCEED .006" PER SIDE.
3. HEAT SLUG DIMENSIONS X AND Y APPLY ONLY TO 16 AND 28 LEAD POWER-QSOP PACKAGES.
4. CONTROLLING DIMENSIONS: INCHES.



MAXIM
 PROPRIETARY INFORMATION
 TITLE:
 PACKAGE OUTLINE, QSOP, .150", .025" LEAD PITCH
 APPROVAL: _____ DOCUMENT CONTROL NO: 21-0055 REV: B 1/1

Maxim cannot assume responsibility for use of any circuitry other than circuitry entirely embodied in a Maxim product. No circuit patent licenses are implied. Maxim reserves the right to change the circuitry and specifications without notice at any time.

16 Maxim Integrated Products, 120 San Gabriel Drive, Sunnyvale, CA 94086 408-737-7600

Looking for pricing, stock, or lifecycle information?

Click below to explore more details on WIN SOURCE:

-  [View MAX5171BEEE+T on WIN SOURCE](#)
-  [Maxim Integrated Information](#)

Optimize Your Supply Chain with WIN SOURCE Solutions

-  Global Sourcing Solution
-  Obsolete Management
-  Cost Control Management
-  Shortage Management
-  Alternative Solution
-  Excess Inventory Management