



**THE DATASHEET OF  
MAX6704RKA+T**



**MAX6701-08/  
MAX6701A-03A/  
MAX6705A-07A**

**Low-Voltage, SOT23  $\mu$ P Supervisors with Power-Fail In/Out, Manual Reset, and Watchdog Timer**

**General Description**

The MAX6701–MAX6708 microprocessor ( $\mu$ P) supervisory circuits reduce the complexity and components required to monitor power-supply functions in  $\mu$ P systems. These devices significantly improve system reliability and accuracy compared to separate ICs or discrete components.

The MAX6701–MAX6708 family provides four functions: a reset output during power-up, power-down, and brownout conditions; an independent watchdog output that goes low if the watchdog input has not been toggled within 1.6s; a 0.62V threshold detector for power-fail warning; and an active-low manual reset input.

The MAX6701–MAX6708 family offers several pinout options to accommodate a variety of multivoltage microprocessor supervision applications.

The MAX6701(A)/MAX6702(A)/MAX6703(A) monitor three supply voltages (one fixed threshold and two adjustable) to drive a single reset output and include a manual reset input and a watchdog timer with an independent output. The MAX6704 monitors a single-supply voltage to drive complementary reset outputs and includes an independent adjustable power-fail-in/power-fail-out comparator, a manual reset input, and a reset-based watchdog timer. The MAX6705(A)/MAX6706(A)/MAX6707(A) monitor a single-supply voltage to drive a single reset output and include an independent adjustable power-fail-in/power-fail-out comparator, a manual reset input, and a watchdog timer with an independent output. The MAX6708 is the same as the MAX6704 but without the watchdog timer function.

See the Detailed Description for differences between non-A and A versions.

**Applications**

- Computers
- Controllers
- Intelligent Instruments
- Critical  $\mu$ P Power Monitoring
- White Goods
- Networking
- Telecommunications

*Typical Operating Circuit and Selector Guide appear at end of data sheet.*

**Features**

- Small 8-Pin SOT23 Package
- Precision Monitoring of +5.0V, +3.3V, +3.0V, +2.5V Supply Voltages
- 140ms Reset Timeout Delay
- Power-Fail Input with Independent Output; Monitor Inputs Down to 0.62V (MAX6704–MAX6708)
- Dual Adjustable Reset Input for Triple-Voltage Monitoring (MAX6701(A)/MAX6702(A)/MAX6703(A))
- 1.6s Watchdog Timeout Period (MAX6701(A)–MAX6707(A))
- Independent Watchdog Output (MAX6701(A)/MAX6702(A)/MAX6703(A)/MAX6705(A)/MAX6706(A)/MAX6707(A))
- Manual Reset Input
- Four Reset Output Stage Options  
Active Low Push-Pull (MAX6701(A), MAX6705(A))  
Active Low Open Drain (MAX6703(A), MAX6707(A))  
Active High Push-Pull (MAX6702(A), MAX6706(A))  
Dual Active Low/High Push-Pull (MAX6704, MAX6708)
- Guaranteed Reset Valid to  $V_{CC} = 1V$
- Immune to Short Falling  $V_{CC}$  Transients
- Low Cost, Few External Components

**Ordering Information**

| PART          | TEMP RANGE      | PIN-PACKAGE |
|---------------|-----------------|-------------|
| MAX6701_KA-T  | -40°C to +125°C | 8 SOT23     |
| MAX6701A_KA-T | -40°C to +125°C | 8 SOT23     |

Insert the desired suffix letter (from the Threshold Suffix Guide table) into the blank to complete the part number. All devices must be ordered in increments of 2500 pieces. Sample stock is typically held on standard versions only. Contact factory for availability.

Devices are available in both leaded and lead-free packaging. Specify lead-free by replacing “-T” with “+T” when ordering.

Ordering Information continued at end of data sheet.

**Pin Configurations**



MAX6701-08/  
MAX6701A-03A/  
MAX6705A-07A

Low-Voltage, SOT23  $\mu$ P Supervisors with Power-Fail  
In/Out, Manual Reset, and Watchdog Timer

**Absolute Maximum Ratings**

|   |                                     |   |   |
|---|-------------------------------------|---|---|
| $V_{CC}$ .....  | -0.3V to +6.0V                      | Continuous Power Dissipation ( $T_A = +70^\circ\text{C}$ )                    |   |
| Open-Drain RESET, $\overline{WDO}$ , $\overline{PFO}$ .....       | -0.3V to +6.0V                      | 8-Pin SOT23 (derate 8.9mW/ $^\circ\text{C}$ above $+70^\circ\text{C}$ ) ..... | 714mW                                       |
| Push-Pull RESET, RESET, $\overline{WDO}$ , $\overline{PFO}$ ..... | -0.3V to ( $V_{CC} + 0.3\text{V}$ ) | Operating Temperature Range.....  | $-40^\circ\text{C}$ to $+125^\circ\text{C}$ |
| MR, WDI, PFI, RST_IN1, RST_IN2 .....                              | -0.3V to ( $V_{CC} + 0.3\text{V}$ ) | Junction Temperature.....   | $+150^\circ\text{C}$                        |
| Input Current ( $V_{CC}$ ).....                                   | 20mA                                | Storage Temperature Range.....  | $-65^\circ\text{C}$ to $+150^\circ\text{C}$ |
| Output Current ( $\overline{O}$ , $\overline{WDO}$ ) .....        | 20mA                                | Lead Temperature (soldering, 10s) .....                                       | $+300^\circ\text{C}$                        |

Stresses beyond those listed under "Absolute Maximum Ratings" may cause permanent damage to the device. These are stress ratings only, and functional operation of the device at these or any other conditions beyond those indicated in the operational sections of the specifications is not implied. Exposure to absolute maximum rating conditions for extended periods may affect device reliability.

**Electrical Characteristics**

( $V_{CC} = +4.25\text{V}$  to  $+5.5\text{V}$  for L/M versions,  $V_{CC} = +2.55\text{V}$  to  $+3.6\text{V}$  for the T/S/R versions,  $V_{CC} = +2.1\text{V}$  to  $+2.75\text{V}$  for the Z/Y versions.  $T_A = -40^\circ\text{C}$  to  $+125^\circ\text{C}$ , unless otherwise specified. Typical values are at  $T_A = +25^\circ\text{C}$ .) (Note 1)

| PARAMETER                                       | SYMBOL          | CONDITIONS  | MIN   | TYP  | MAX  | UNITS                 |    |
|---|-----------------|---|---|------|------|-----------------------|----|
| Operating Voltage Range                         | $V_{CC}$        | $T_A = 0^\circ\text{C}$ to $+125^\circ\text{C}$                       | 1.0   |      | 5.5  | V                     |    |
|   |                 | $T_A = -40^\circ\text{C}$ to $+125^\circ\text{C}$                     | 1.2   |      | 5.5  |                       |    |
| Supply Current<br>MR Unconnected                | $I_{CC}$        | $V_{CC} < 5.5\text{V}$ , no load                                      |   | 12   | 25   | $\mu\text{A}$         |    |
|   |                 | $V_{CC} < 3.6\text{V}$ , no load                                      |   | 9    | 20   |                       |    |
|   |                 | $V_{CC} < 3.6\text{V}$ , no load (MAX6708 only)                       |   | 6    | 20   |                       |    |
| $V_{CC}$ Reset Threshold<br>( $V_{CC}$ falling) | $V_{TH}$        | MAX670_L/MAX670_AL  | $T_A = -40^\circ\text{C}$ to $+85^\circ\text{C}$  | 4.50 | 4.63 | 4.75                  | V  |
|   |                 |   | $T_A = -40^\circ\text{C}$ to $+125^\circ\text{C}$ | 4.47 |      | 4.78                  |    |
|   |                 | MAX670_M/MAX670_AM  | $T_A = -40^\circ\text{C}$ to $+85^\circ\text{C}$  | 4.25 | 4.38 | 4.50                  |    |
|   |                 |   | $T_A = -40^\circ\text{C}$ to $+125^\circ\text{C}$ | 4.22 |      | 4.53                  |    |
|   |                 | MAX670_T/MAX670_AT  | $T_A = -40^\circ\text{C}$ to $+85^\circ\text{C}$  | 3.00 | 3.08 | 3.15                  |    |
|   |                 |   | $T_A = -40^\circ\text{C}$ to $+125^\circ\text{C}$ | 2.97 |      | 3.17                  |    |
|   |                 | MAX670_S/MAX670_AS  | $T_A = -40^\circ\text{C}$ to $+85^\circ\text{C}$  | 2.85 | 2.93 | 3.00                  |    |
|   |                 |   | $T_A = -40^\circ\text{C}$ to $+125^\circ\text{C}$ | 2.83 |      | 3.02                  |    |
|   |                 | MAX670_R/MAX670_AR  | $T_A = -40^\circ\text{C}$ to $+85^\circ\text{C}$  | 2.55 | 2.63 | 2.70                  |    |
|   |                 |   | $T_A = -40^\circ\text{C}$ to $+125^\circ\text{C}$ | 2.53 |      | 2.72                  |    |
|   |                 | MAX670_Z/MAX670_AZ  | $T_A = -40^\circ\text{C}$ to $+85^\circ\text{C}$  | 2.25 | 2.32 | 2.38                  |    |
|   |                 |   | $T_A = -40^\circ\text{C}$ to $+125^\circ\text{C}$ | 2.24 |      | 2.40                  |    |
|   |                 | MAX670_Y/MAX670_AY  | $T_A = -40^\circ\text{C}$ to $+85^\circ\text{C}$  | 2.12 | 2.19 | 2.25                  |    |
|   |                 |   | $T_A = -40^\circ\text{C}$ to $+125^\circ\text{C}$ | 2.11 |      | 2.27                  |    |
| Reset Threshold<br>Temperature Coefficient      | $\Delta V_{TH}$ |   |   | 60   |      | ppm/ $^\circ\text{C}$ |    |
| $V_{CC}$ to Reset Output Delay                  |                 | $V_{CC}$ falling at 10mV/ $\mu\text{s}$                               |   | 12   |      | $\mu\text{s}$         |    |
| Reset Timeout Period                            | $t_{RP}$        | $T_A = -40^\circ\text{C}$ to $+85^\circ\text{C}$                      | 140   | 200  | 280  | ms                    |    |
|   |                 | $T_A = -40^\circ\text{C}$ to $+125^\circ\text{C}$                     | 120   |      | 300  |                       |    |
| $V_{CC}$ Falling to $\overline{WDO}$ Delay      |                 | MAX6701(A)/MAX6702(A)/MAX6703(A)/MAX6705(A)/<br>MAX6706(A)/MAX6707(A) |   | 5    |      | $\mu\text{s}$         |    |
| PFI, RST_IN1, RST_IN2<br>Threshold              |                 | $V_{CC} = 1.8\text{V}$ to $5.5\text{V}$                               | $T_A = -40^\circ\text{C}$ to $+85^\circ\text{C}$  | 602  | 618  | 634                   | mV |
|   |                 |   | $T_A = -40^\circ\text{C}$ to $+125^\circ\text{C}$ | 593  |      | 642                   |    |
| PFI Hysteresis                                  |                 |   |   | 6    |      | mV                    |    |

MAX6701-08/  
MAX6701A-03A/  
MAX6705A-07A

Low-Voltage, SOT23  $\mu$ P Supervisors with Power-Fail  
In/Out, Manual Reset, and Watchdog Timer

Electrical Characteristics (continued)

( $V_{CC}$  = +4.25V to +5.5V for L/M versions,  $V_{CC}$  = +2.55V to +3.6V for the T/S/R versions,  $V_{CC}$  = +2.1V to +2.75V for the Z/Y versions.  $T_A$  = -40°C to +125°C, unless otherwise specified. Typical values are at  $T_A$  = +25°C.) (Note 1)

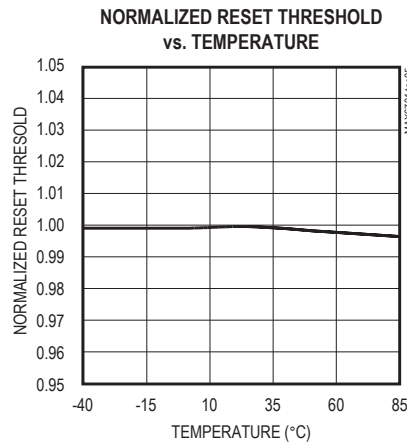
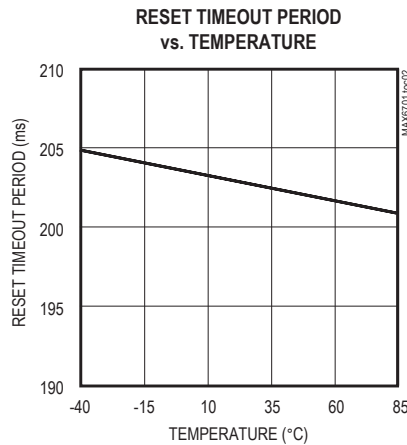
| PARAMETER  | SYMBOL    | CONDITIONS  | MIN            | TYP            | MAX  | UNITS      |
|--|-----------|---|----------------|----------------|------|------------|
| PFI, RST_IN1, RST_IN2<br>Leakage Current   |           | (Note 2)  |                |                |      |            |
|  |           | $T_A$ = -40°C to +85°C  | -50            |                | +50  | nA         |
|  |           | $T_A$ = -40°C to +125°C   | -200           |                | +200 |            |
| PFI to $\overline{PFO}$ Delay  | $t_{PF}$  |   |                | 1              |      | $\mu$ s    |
| $\overline{MR}$ Input Voltage  | $V_{IL}$  |   |                | 0.3 x $V_{CC}$ |      | V          |
|  | $V_{IH}$  |   | 0.7 x $V_{CC}$ |                |      |            |
| $\overline{MR}$ Minimum Input Pulse  |           |   | 1              |                |      | $\mu$ s    |
| $\overline{MR}$ Glitch Rejection   |           |   |                | 100            |      | ns         |
| $\overline{MR}$ to Reset Delay   | $t_{MD}$  |   |                | 200            |      | ns         |
| $V_{CC}$ Rising to $\overline{WDO}$ Delay  |           | MAX6701(A)/MAX6702(A)/MAX6703(A)/<br>MAX6705(A)/MAX6706(A)/MAX6707(A)                         |                | 100            |      | ns         |
| $\overline{MR}$ Pullup Resistance  |           |   | 25             | 50             | 75   | k $\Omega$ |
| Watchdog Timeout Period  | $t_{WD}$  | $T_A$ = -40°C to +85°C  | 1.12           | 1.6            | 2.4  | s          |
|  |           | $T_A$ = -40°C to +125°C   | 0.96           |                | 2.52 |            |
| WDI Pulse Width  | $t_{WDI}$ | (Note 2)  | 50             |                |      | ns         |
| WDI Input Voltage  | $V_{IL}$  |   |                | 0.3 x $V_{CC}$ |      | V          |
|  | $V_{IH}$  |   | 0.7 x $V_{CC}$ |                |      |            |
| WDI Input Current  | $I_{WDI}$ | $V_{WDI}$ = 0V or $V_{CC}$  | -1             |                | +1   | $\mu$ A    |
| RESET, WDO Output Low<br>(Push-Pull or Open Drain)   | $V_{OL}$  | $V_{CC} \geq 1.0V$ , $I_{SINK} = 50\mu A$ , output asserted<br>( $T_A = 0^\circ C$ to +125°C) |                |                | 0.3  | V          |
|  |           | $V_{CC} \geq 1.2V$ , $I_{SINK} = 100\mu A$ , output asserted                                  |                |                | 0.3  |            |
|  |           | $V_{CC} \geq 2.55V$ , $I_{SINK} = 1.2mA$ , output asserted                                    |                |                | 0.3  |            |
|  |           | $V_{CC} \geq 4.25V$ , $I_{SINK} = 3.2mA$ , output asserted                                    |                |                | 0.4  |            |
| PFO Output Low<br>(Push-Pull or Open Drain)  | $V_{OL}$  | $V_{CC} \geq 1.80V$ , $I_{SINK} = 200\mu A$ , output asserted                                 |                |                | 0.3  | V          |
|  |           | $V_{CC} \geq 2.55V$ , $I_{SINK} = 1.2mA$ , output asserted                                    |                |                | 0.3  |            |
|  |           | $V_{CC} \geq 4.25V$ , $I_{SINK} = 3.2mA$ , output asserted                                    |                |                | 0.4  |            |
| $\overline{RESET}$ , $\overline{WDO}$ , $\overline{PFO}$ Output<br>High (Push-Pull Only)         | $V_{OH}$  | $V_{CC} \geq 2.7V$ , $I_{SOURCE} = 500\mu A$ , output not asserted                            | 0.8 x $V_{CC}$ |                |      | V          |
|  |           | $V_{CC} \geq 4.75V$ , $I_{SOURCE} = 800\mu A$ , output not asserted                           | 0.8 x $V_{CC}$ |                |      |            |
| $\overline{RESET}$ , $\overline{WDO}$ , $\overline{PFO}$<br>Output Open-Drain<br>Leakage Current | $I_{LKG}$ | $V_{CC} > V_{TH}$ , output not asserted   |                |                | 1.0  | $\mu$ A    |
| RESET Output High<br>(Push-Pull Only)  | $V_{OH}$  | $V_{CC} \geq 1.0V$ , $I_{SOURCE} = 1\mu A$ , reset asserted<br>( $T_A = 0^\circ C$ to +125°C) | 0.8 x $V_{CC}$ |                |      | V          |
|  |           | $V_{CC} \geq 1.2V$ , $I_{SOURCE} = 50\mu A$ , reset asserted                                  | 0.8 x $V_{CC}$ |                |      |            |
|  |           | $V_{CC} \geq 2.55V$ , $I_{SOURCE} = 500\mu A$ , reset asserted                                | 0.8 x $V_{CC}$ |                |      |            |
|  |           | $V_{CC} \geq 4.25V$ , $I_{SOURCE} = 800\mu A$ , reset asserted                                | 0.8 x $V_{CC}$ |                |      |            |
| RESET Output Low<br>(Push-Pull Only)   | $V_{OL}$  | $V_{CC} \geq 2.7V$ , $I_{SINK} = 1.2mA$ , reset not asserted                                  |                |                | 0.3  | V          |
|  |           | $V_{CC} \geq 4.75V$ , $I_{SINK} = 3.2mA$ , reset not asserted                                 |                |                | 0.4  |            |

**Note 1:** Over-temperature limits are guaranteed by design and not production tested. Devices are tested at  $T_A$  = +25°C.

**Note 2:** Guaranteed by design. Not production tested.

### Typical Operating Characteristics

( $T_A = +25^\circ\text{C}$ , unless otherwise noted.)



MAX6701-08/  
 MAX6701A-03A/  
 MAX6705A-07A

Low-Voltage, SOT23  $\mu$ P Supervisors with Power-Fail  
 In/Out, Manual Reset, and Watchdog Timer

Pin Description

| PIN                                    |         |  |         | NAME                      | FUNCTION   |
|--|---------|--|---------|---------------------------|--|
| MAX6701(A)<br>MAX6702(A)<br>MAX6703(A) | MAX6704 | MAX6705(A)<br>MAX6706(A)<br>MAX6707(A) | MAX6708 |                           |  |
| 1                                      | 1       | 1                                      | 1       | $\overline{\text{MR}}$    | Active-Low, Manual Reset Input, Internal 50k $\Omega$ Pullup to $V_{CC}$ . Pull low to force a reset. Reset remains active as long as $\overline{\text{MR}}$ is low and the reset timeout period after $\overline{\text{MR}}$ goes high. Leave unconnected or connect to $V_{CC}$ if unused. $\overline{\text{WDO}}$ deasserts when $\overline{\text{MR}}$ is low (MAX6701(A)/MAX6702(A)/MAX6703(A)/ MAX6705(A)/ MAX6706(A)/MAX6707(A) only)   |
| 2                                      | 2       | 2                                      | 2       | $V_{CC}$                  | Supply Voltage for MAX6701–MAX6708 and Input for Primary Reset Threshold Monitor. Push-pull outputs are powered by $V_{CC}$ .  |
| 3                                      | 3       | 3                                      | 3       | GND                       | Ground   |
| —                                      | 4       | 4                                      | 4       | PFI                       | Power-Fail Voltage Monitor Input. High-impedance input for internal power-fail comparator. Connect this pin to an external resistive-divider network to set the reset threshold voltage; 0.62V (typ) threshold. Connect to GND or $V_{CC}$ when not used.  |
| —                                      | 5       | 5                                      | 5       | $\overline{\text{PFO}}$   | Power-Fail Monitor Output. Open drain or push-pull active low. $\overline{\text{PFO}}$ goes low when PFI is less than 0.62V.   |
| 6                                      | 6       | 6                                      | —       | WDI                       | Watchdog Input. If WDI remains high or low for longer than the watchdog timeout period, the internal watchdog timer runs out and $\overline{\text{WDO}}$ is asserted. $\overline{\text{WDO}}$ is asserted low after each watchdog overflow and remains low until the watchdog timer is cleared (the reset output is not affected). The internal watchdog timer clears whenever a $V_{CC}$ /RST_IN1/RST_IN2 reset is asserted, the manual reset is asserted, or WDI sees a rising or falling edge. The watchdog timer remains cleared until the reset output is deasserted. On the MAX6704, $\overline{\text{RESET}}$ pulse asserts for the reset timeout period after each watchdog timeout overflow. The watchdog timer cannot be disabled. |
| —                                      | —       | —                                      | 6       | N.C.                      | No Connection. Not internally connected.   |
| 7                                      | 7       | 7                                      | 7       | $\overline{\text{RESET}}$ | Active-Low Reset Output (Open Drain or Push-Pull). $\overline{\text{RESET}}$ changes from high to low when the $V_{CC}$ input drops below the selected reset threshold (or RST_IN1/RST_IN2 for the MAX6701(A)/MAX6702(A)/MAX6703(A), $\overline{\text{MR}}$ is pulled low, or the watchdog triggers a reset (MAX6704 only). $\overline{\text{RESET}}$ remains low for the reset timeout period after the reset conditions are terminated.  |

### Pin Description (continued)

| PIN                                    |         |  |         | NAME                    | FUNCTION   |
|--|---------|--|---------|-------------------------|--|
| MAX6701(A)<br>MAX6702(A)<br>MAX6703(A) | MAX6704 | MAX6705(A)<br>MAX6706(A)<br>MAX6707(A) | MAX6708 |                         |  |
| 8                                      | —       | 8                                      | —       | $\overline{\text{WDO}}$ | Active-Low Watchdog Output (Open Drain or Push-Pull). $\overline{\text{WDO}}$ is asserted whenever the watchdog times out and $V_{CC}$ or the reset inputs are below their respective thresholds. $\overline{\text{WDO}}$ deasserts after a valid WDI transition without a reset timeout period. In the A versions, $\overline{\text{WDO}}$ deasserts without a timeout delay when $V_{CC}$ , RST_IN1, and RST_IN2 rises above its threshold. Pull MR low to assert $\overline{\text{WDO}}$ (MAX6701/MAX6702/MAX6703/MAX6705/MAX6706/MAX6707 only). Pull MR low to deassert $\overline{\text{WDO}}$ (MAX6701(A)/MAX6702(A) / MAX6703(A)/ MAX6705(A)/MAX6706(A)MAX6707(A) only) |
| 7*                                     | 8       | 7*                                     | 8       | RESET                   | Active-High Reset Output (Push-Pull). RESET changes from low to high when the $V_{CC}$ input drops below the selected reset threshold (or RST_IN1/RST_IN2 for MAX6701(A)/MAX6702(A)/ MAX6703(A), MR is pulled low, or the watchdog triggers a reset (MAX6704 only). RESET remains high for the reset timeout period after the reset conditions are terminated.   |
| 4                                      | —       | —                                      | —       | RST_IN1                 | Input for User-Adjustable $V_{CC2}$ Monitor. High-impedance input for second internal reset comparator. Connect this pin to an external resistive-divider network to set the reset threshold voltage; 0.62V (typ) threshold. Connect to $V_{CC}$ when not used. Reset is asserted when either $V_{CC}$ , RST_IN1, or RST_IN2 are below threshold.  |
| 5                                      | —       | —                                      | —       | RST_IN2                 | Input for User-Adjustable $V_{CC3}$ Monitor. High-impedance input for third internal reset comparator. Connect this pin to an external resistive-divider network to set the reset threshold voltage; 0.62V (typ) threshold. Connect to $V_{CC}$ when not used. Reset is asserted when either $V_{CC}$ , RST_IN1, or RST_IN2 are below threshold.   |

\*RESET active-high for the MAX6702(A)/MAX6706(A).

### Detailed Description

Figures 1, 2, and 3 are functional diagrams for the MAX6705(A)/MAX6706(A)/MAX6707(A), MAX6704/MAX6708, and MAX6701(A)/MAX6702(A)/MAX6703(A), respectively.

#### Reset Output

A microprocessor's ( $\mu$ P's) reset input starts the  $\mu$ P in a known state. The MAX6701–MAX6708 assert reset during power-up and prevent code execution errors during power-down or brownout conditions.

On power-up, once  $V_{CC}$  reaches 1V,  $\overline{\text{RESET}}$  is a guaranteed logic-low of 0.4V or less. As  $V_{CC}$  rises,

$\overline{\text{RESET}}$  stays low. After  $V_{CC}$ , RST\_IN1, or RST\_IN2 rise above the reset threshold, an internal timer holds  $\overline{\text{RESET}}$  low for about 200ms.  $\overline{\text{RESET}}$  pulses low whenever  $V_{CC}$  dips below the reset threshold, including brownout conditions. If a brownout occurs in the middle of a previously initiated reset pulse, the pulse continues for at least another 140ms. On power-down, once  $V_{CC}$  falls below the reset threshold,  $\overline{\text{RESET}}$  stays low and is guaranteed to be 0.4V or less, until  $V_{CC}$  drops below 1V. The MAX6702(A)/MAX6704/MAX6706(A)/MAX6708 active-high RESET output is the complement of the  $\overline{\text{RESET}}$  output, and is guaranteed to be valid with  $V_{CC}$  down to 1V.

MAX6701-08/  
MAX6701A-03A/  
MAX6705A-07A

Low-Voltage, SOT23  $\mu$ P Supervisors with Power-Fail  
In/Out, Manual Reset, and Watchdog Timer



Figure 1. MAX6705(A)/MAX6706(A)/MAX6707(A) Functional Diagram

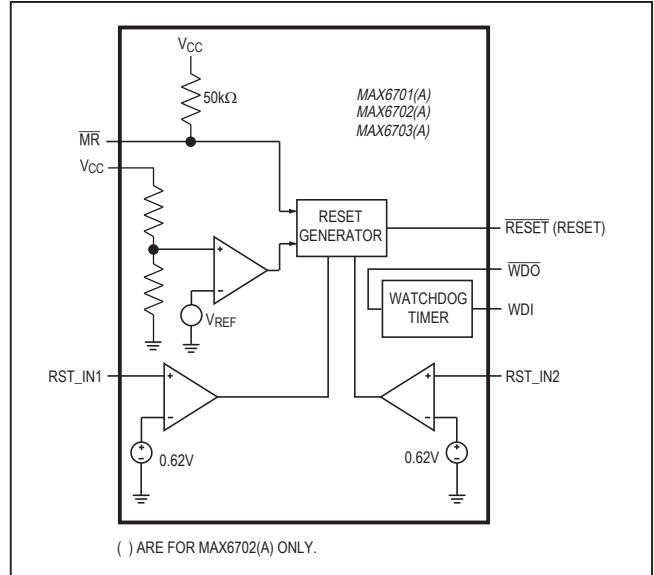


Figure 3. MAX6701(A)/MAX6702(A)/MAX6703(A) Functional Diagram



Figure 2. MAX6704/MAX6708 Functional Diagram

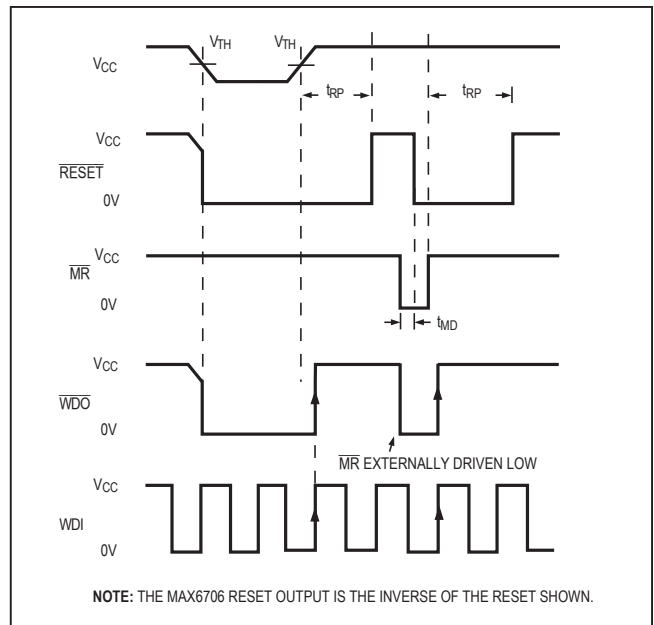


Figure 4. MAX6705/MAX6706/MAX6707 RESET, MR, WDO, and WDI Timing

### Standard- vs. A-Version Comparison

The MAX6701/MAX6702/MAX6703/MAX6705/MAX6706/  
MAX6707s'  $\overline{WDO}$  latches low when one of the following  
events occurs:

- The watchdog timer times out (1.6s, typ).
- $V_{CC}$ , RST\_IN1, or RST\_IN2 is below its reset  
threshold.
- $\overline{MR}$  is pulled low.
- $\overline{WDO}$  only deasserts with a valid WDI transition.

The MAX6701(A)/MAX6702(A)/MAX6703(A)/MAX6705(A)/  
MAX6706(A)/MAX6707(A)s'  $\overline{WDO}$  asserts when either  
 $V_{CC}$ , RST\_IN1, or RST\_IN2 is below its reset thresh-  
old.  $\overline{WDO}$  deasserts without a timeout delay when the  
undervoltage situation has expired.  $\overline{WDO}$  is latched low  
when the watchdog timer elapses without seeing a WDI  
transition.  $\overline{WDO}$  deasserts with a valid WDI transition  
OR by pulling  $\overline{MR}$  low.

See Figures 4 and 5 for standard-version timing. See  
Figures 6 and 7 for A-version timing.

### Watchdog Timer

The MAX6701–MAX6707 watchdog circuit monitors the  
 $\mu$ P's activity. If the  $\mu$ P does not toggle the WDI within 1.6s,  
 $\overline{WDO}$  goes low. When  $\overline{RESET}$  is asserted, the watchdog  
timer stays cleared and does not count. As soon as reset  
is released, the timer starts counting.  $\overline{WDO}$  deasserts  
after a valid transition is detected at WDI. Pulses as short  
as 50ns can be detected.

Typically,  $\overline{WDO}$  is connected to the NMI input of a  $\mu$ P.  
When  $V_{CC}$ , RST\_IN1, or RST\_IN2 drop below the reset

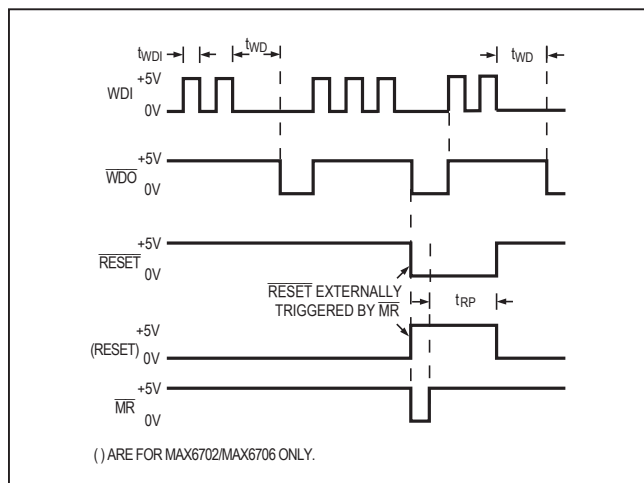


Figure 5. MAX6701/MAX6702/MAX6703/MAX6705/MAX6706/  
MAX6707 Watchdog

threshold,  $\overline{WDO}$  goes low whether or not the watchdog  
timer has timed out. Normally this would trigger an NMI,  
but  $\overline{RESET}$  goes low simultaneously, and thus overrides  
the NMI.

The MAX6704 watchdog circuit does not have an inde-  
pendent watchdog output ( $\overline{WDO}$ ). If the  $\mu$ P does not  
toggle the watchdog input within 1.6s, the MAX6704  
asserts a reset output pulse for the reset timeout period.

### Manual Reset

The manual reset input ( $\overline{MR}$ ) allows reset to be  
triggered by a pushbutton switch. The switch is  
effectively debounced by the reset pulse width.  $\overline{MR}$  is  
CMOS logic compatible, so it can be driven by an external  
logic line.  $\overline{MR}$  can be used to force a watchdog timeout to  
generate a reset pulse in the MAX6701(A)/MAX6702(A)/  
MAX6703(A)/MAX6705(A)/MAX6706(A)/MAX6707(A) by  
connecting  $\overline{WDO}$  to  $\overline{MR}$ .

### Power-Fail Comparator

The uncommitted power-fail comparator can be used  
for various purposes because its noninverting input and  
output are externally available. The inverting input is  
internally connected to a 0.62V reference. To build an  
early warning circuit for power failure, connect the PFI  
pin to a voltage-divider (see the *Typical Operating  
Circuit*). Choose the voltage-divider ratio so that the  
voltage at PFI falls below 0.62V just before the regulator  
drops out. Use PFO to interrupt the  $\mu$ P so it can prepare  
for an orderly power-down. The low-input current at this  
pin allows for large resistor values in the divider.

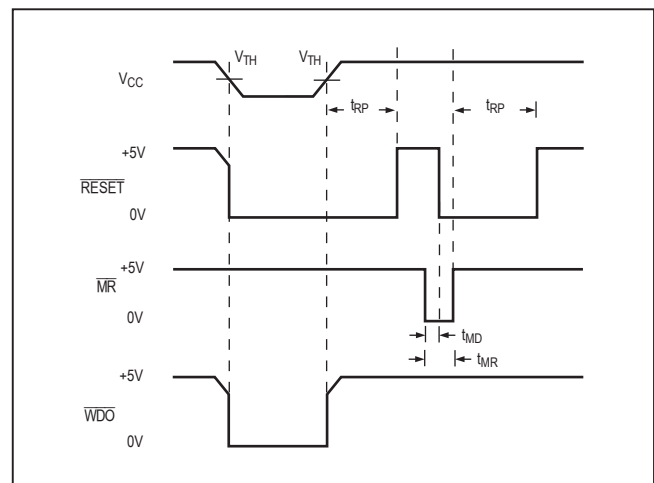


Figure 6. MAX6701(A)/MAX6702(A)/MAX6703(A)/  
MAX6705(A)/MAX6706(A)/MAX6707(A) RESET, MR, and  
 $\overline{WDO}$  Timing with WDI Three-States



Figure 7. MAX6701(A)/MAX6702(A)/MAX6703(A)/  
MAX6705(A)/ MAX6706(A)/MAX6707(A) Watchdog Timing

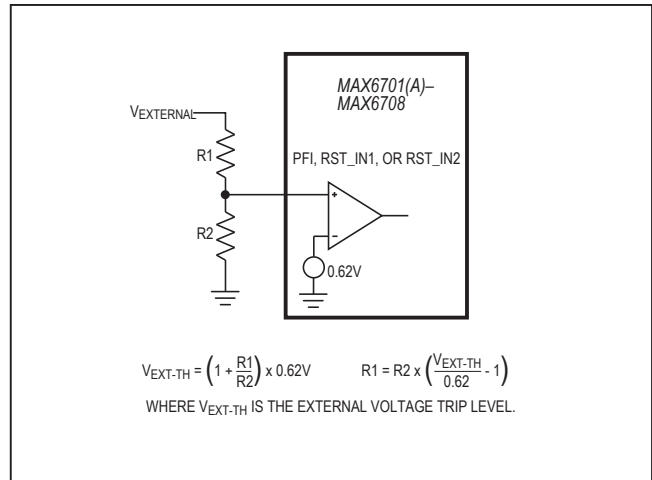


Figure 8. Calculating Adjustable Voltage Thresholds

## Reset Input

The MAX6701(A)/MAX6702(A)/MAX6703(A) include two adjustable reset inputs for monitoring up to a total of three system voltages (including  $V_{CC}$ ). The thresholds for the monitored RST\_IN supplies are externally set with resistor-divider networks (Figure 8). The reset output is asserted if any of the monitored supplies ( $V_{CC}$ , RST\_IN1, or RST\_IN2) go below its specified threshold and remains asserted for the reset timeout period after all supplies are above their thresholds.

## Applications Information

### Ensuring a Valid $\overline{\text{RESET}}$ Output Down to $V_{CC} = 0$

When  $V_{CC}$  falls below 1V, the MAX6701–MAX6708  $\overline{\text{RESET}}$  output no longer sinks current; it becomes an open circuit. High-impedance CMOS logic inputs can drift to undetermined voltages if left undriven. If a pull-down resistor is added to the  $\overline{\text{RESET}}$  pin, as shown in Figure 9, any stray charge or leakage currents are drained to ground, holding  $\overline{\text{RESET}}$  low. A resistor value ( $R_1$ ) is not critical; 100k $\Omega$  is large enough not to load  $\overline{\text{RESET}}$  and small enough to pull  $\overline{\text{RESET}}$  to ground. This application works for push-pull output only (not for open-drain resets).

## Monitoring Other System Voltages

Other systems can be monitored by connecting a voltage-divider to PFI and adjusting the ratio appropriately. In noisy systems, a capacitor between PFI and GND reduces the power-fail circuit's sensitivity to high-frequency noise on the line being monitored. Reset can be asserted on other voltages in addition to the  $V_{CC}$  supply line. Connect  $\overline{\text{PFO}}$  to  $\overline{\text{MR}}$  to initiate a reset output pulse when PFI drops below 0.62V. Figure 10 shows the MAX6704–MAX6708 configured to assert a reset output when the secondary supply falls below the reset threshold.

## Generating a Reset from Watchdog Overflow

Connect  $\overline{\text{WDO}}$  to  $\overline{\text{MR}}$  to force a watchdog timeout to generate a reset pulse for only the reset timeout period on the MAX6701(A)/MAX6702(A)/MAX6703(A)/MAX6705(A)/MAX6706(A)/MAX6707(A). When the MAX6704 watchdog times out, reset outputs are automatically asserted (no external connections required). For the MAX6701/MAX6702/MAX6703/MAX6705/MAX6706/MAX6707 non-A versions, do not connect  $\overline{\text{WDO}}$  to  $\overline{\text{MR}}$ ; this creates a locked condition.

MAX6701-08/  
MAX6701A-03A/  
MAX6705A-07A

Low-Voltage, SOT23  $\mu$ P Supervisors with Power-Fail  
In/Out, Manual Reset, and Watchdog Timer

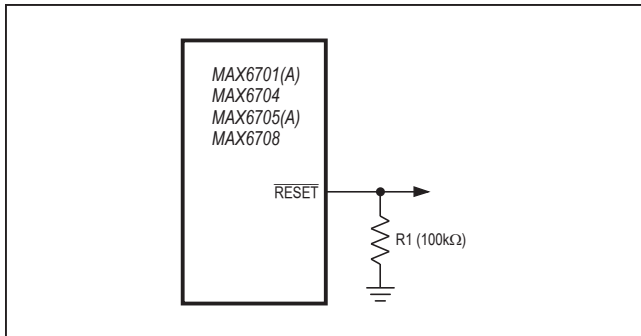


Figure 9.  $\overline{\text{RESET}}$  Valid to Ground Circuit

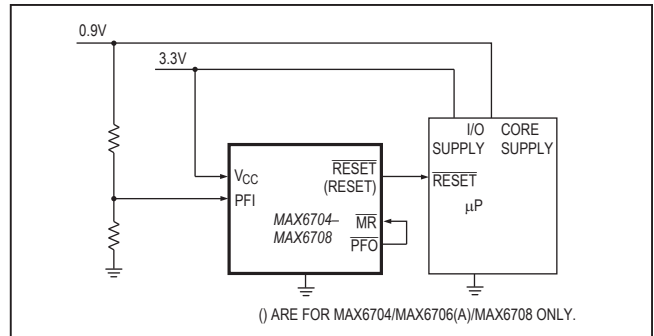


Figure 10. Monitoring Other System Voltages

### Selector Guide

| PART      | $\overline{\text{RESET}}$<br>PP LOW | RESET<br>PP HIGH | $\overline{\text{RESET}}$<br>OD-LOW | WDI | $\overline{\text{WDO}}$ | PFI,<br>PFO | RST_IN1,<br>RST_IN2 |
|-----------|-------------------------------------|------------------|-------------------------------------|-----|-------------------------|-------------|---------------------|
| MAX6701   | ✓                                   | —                | —                                   | ✓   | ✓ PP                    | —           | ✓                   |
| MAX6701A* | ✓                                   | —                | —                                   | ✓   | ✓ PP                    | —           | ✓                   |
| MAX6702   | —                                   | ✓                | —                                   | ✓   | ✓ PP                    | —           | ✓                   |
| MAX6702A* | —                                   | ✓                | —                                   | ✓   | ✓ PP                    | —           | ✓                   |
| MAX6703   | —                                   | —                | ✓                                   | ✓   | ✓ OD                    | —           | ✓                   |
| MAX6703A* | —                                   | —                | ✓                                   | ✓   | ✓ OD                    | —           | ✓                   |
| MAX6704   | ✓                                   | ✓                | —                                   | ✓   | —                       | ✓ PP        | —                   |
| MAX6705   | ✓                                   | —                | —                                   | ✓   | ✓ PP                    | ✓ PP        | —                   |
| MAX6705A* | ✓                                   | —                | —                                   | ✓   | ✓ PP                    | ✓ PP        | —                   |
| MAX6706   | —                                   | ✓                | —                                   | ✓   | ✓ PP                    | ✓ PP        | —                   |
| MAX6706A* | —                                   | ✓                | —                                   | ✓   | ✓ PP                    | ✓ PP        | —                   |
| MAX6707   | —                                   | —                | ✓                                   | ✓   | ✓ OD                    | ✓ OD        | —                   |
| MAX6707A* | —                                   | —                | ✓                                   | ✓   | ✓ OD                    | ✓ OD        | —                   |
| MAX6708   | ✓                                   | ✓                | —                                   | —   | —                       | ✓ PP        | —                   |

PP = push-pull, OD = open drain.

\* $\overline{\text{WDO}}$  deasserts when  $\overline{\text{MR}}$  is pulled low. See the Standard- vs. A-Version Comparison section for the differences on  $\overline{\text{WDO}}$ .

### Threshold Suffix Guide

| SUFFIX   | RESET<br>THRESHOLD (V) |
|----------|------------------------|
| <b>L</b> | 4.63                   |
| <b>M</b> | 4.38                   |
| <b>T</b> | 3.08                   |
| <b>S</b> | 2.93                   |
| <b>R</b> | 2.63                   |
| <b>Z</b> | 2.32                   |
| <b>Y</b> | 2.19                   |

Bold indicates standard version.

MAX6701-08/  
MAX6701A-03A/  
MAX6705A-07A

Low-Voltage, SOT23  $\mu$ P Supervisors with Power-Fail  
In/Out, Manual Reset, and Watchdog Timer

## Pin Configurations (continued)



## Typical Operating Circuit



## Package Information

For the latest package outline information and land patterns (footprints), go to [www.maximintegrated.com/packages](http://www.maximintegrated.com/packages). Note that a "+", "#", or "-" in the package code indicates RoHS status only. Package drawings may show a different suffix character, but the drawing pertains to the package regardless of RoHS status.

| PACKAGE TYPE | PACKAGE CODE | OUTLINE NO. | LAND PATTERN NO. |
|--------------|--------------|-------------|------------------|
| 8 SOT23      | K8+2         | 21-0078     | 90-0176          |

## Ordering Information (continued)

| PART          | TEMP RANGE      | PIN-PACKAGE |
|---------------|-----------------|-------------|
| MAX6702_KA-T  | -40°C to +125°C | 8 SOT23     |
| MAX6702A_KA-T | -40°C to +125°C | 8 SOT23     |
| MAX6703_KA-T  | -40°C to +125°C | 8 SOT23     |
| MAX6703A_KA-T | -40°C to +125°C | 8 SOT23     |
| MAX6704_KA-T  | -40°C to +125°C | 8 SOT23     |
| MAX6705_KA-T  | -40°C to +125°C | 8 SOT23     |
| MAX6705A_KA-T | -40°C to +125°C | 8 SOT23     |
| MAX6706_KA-T  | -40°C to +125°C | 8 SOT23     |
| MAX6706A_KA-T | -40°C to +125°C | 8 SOT23     |
| MAX6707_KA-T  | -40°C to +125°C | 8 SOT23     |
| MAX6707A_KA-T | -40°C to +125°C | 8 SOT23     |
| MAX6708_KA-T  | -40°C to +125°C | 8 SOT23     |

Insert the desired suffix letter (from the Threshold Suffix Guide table) into the blank to complete the part number. All devices must be ordered in increments of 2500 pieces. Sample stock is typically held on standard versions only. Contact factory for availability.

Devices are available in both leaded and lead(Pb)-free packaging. Specify lead-free by replacing "-T" with "+T" when ordering.

T = Tape and reel.

## Chip Information

TRANSISTOR COUNT: 716

PROCESS: BiCMOS

MAX6701-08/  
MAX6701A-03A/  
MAX6705A-07A

Low-Voltage, SOT23  $\mu$ P Supervisors with Power-Fail  
In/Out, Manual Reset, and Watchdog Timer

## Revision History

| REVISION NUMBER | REVISION DATE | DESCRIPTION   | PAGES CHANGED |
|-----------------|---------------|---|---------------|
| 4               | 5/14          | No IV OPNs; removed Automotive reference from <i>Applications</i> section | 1             |

For pricing, delivery, and ordering information, please contact Maxim Direct at 1-888-629-4642, or visit Maxim Integrated's website at [www.maximintegrated.com](http://www.maximintegrated.com).

*Maxim Integrated cannot assume responsibility for use of any circuitry other than circuitry entirely embodied in a Maxim Integrated product. No circuit patent licenses are implied. Maxim Integrated reserves the right to change the circuitry and specifications without notice at any time. The parametric values (min and max limits) shown in the Electrical Characteristics table are guaranteed. Other parametric values quoted in this data sheet are provided for guidance.*

## Looking for pricing, stock, or lifecycle information?

Click below to explore more details on WIN SOURCE:

- ⊖ [View MAX6704RKA+T on WIN SOURCE](#)
- ⊖ [Maxim Integrated Information](#)

## Optimize Your Supply Chain with WIN SOURCE Solutions

- ✓ Global Sourcing Solution
- ✓ Obsolete Management
- ✓ Cost Control Management
- ✓ Shortage Management
- ✓ Alternative Solution
- ✓ Excess Inventory Management