



**THE DATASHEET OF  
MAX6896PALT+T**



## MAX6895–MAX6899

### General Description

The MAX6895–MAX6899 is a family of small, low-power, voltage-monitoring circuits with sequencing capability. These miniature devices offer tremendous flexibility with an adjustable threshold capable of monitoring down to 0.5V and an external capacitor-adjustable time delay. These devices are ideal for use in power-supply sequencing, reset sequencing, and power-switching applications. Multiple devices can be cascaded for complex sequencing applications.

A high-impedance input with a 0.5V threshold allows an external resistive divider to set the monitored threshold. The output asserts (OUT = high or  $\overline{\text{OUT}}$  = low) when the input voltage rises above the 0.5V threshold and the enable input is asserted (ENABLE = high or  $\overline{\text{ENABLE}}$  = low). When the voltage at the input falls below 0.5V or when the enable input is deasserted (ENABLE = low or  $\overline{\text{ENABLE}}$  = high), the output deasserts (OUT = low or  $\overline{\text{OUT}}$  = high). All devices provide a capacitor-programmable delay time from when the input rises above 0.5V to when the output is asserted. The MAX689\_A versions provide the same capacitor-adjustable delay from when enable is asserted to when the output asserts. The MAX689\_P devices have a 1 $\mu$ s propagation delay from when enable is asserted to when the output asserts.

The MAX6895A/P offers an active-high enable input and an active-high push-pull output. The MAX6896A/P offers an active-low enable input and an active-low push-pull output. The MAX6897A/P offers an active-high enable input and an active-high open-drain output. Finally, the MAX6898A/P offers an active-low enable input and an active-low open-drain output. The MAX6899A/P offers an active-low enable with an active-high push-pull output.

All devices operate from a 1.5V to 5.5V supply voltage and are fully specified over the -40°C to +125°C operating temperature range. These devices are available in ultra-small 6-pin  $\mu$ DFN (1.0mm x 1.5mm) and thin SOT23 (1.60mm x 2.90mm) packages.

## Ultra-Small, Adjustable Sequencing/Supervisory Circuits

### Features

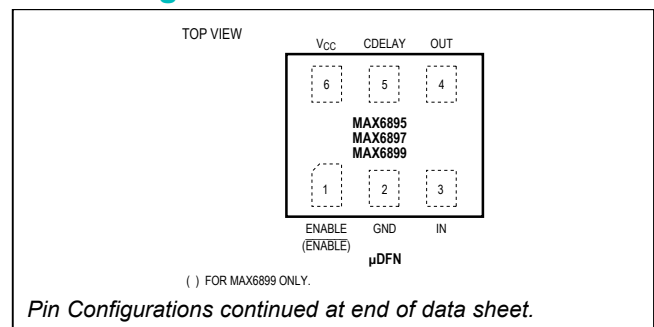
- 1.8% Accurate Adjustable Threshold Over Temperature
- Operate from  $V_{CC}$  of 1.5V to 5.5V
- Capacitor-Adjustable Delay
- Active-High/-Low Enable Input Options
- Active-High/-Low Output Options
- Open-Drain (28V Tolerant)/Push-Pull Output Options
- Low Supply Current (10 $\mu$ A, typ)
- Fully Specified from -40°C to +125°C
- Ultra-Small 6-Pin  $\mu$ DFN Package or Thin SOT23 Package
- AEC-Q100 Qualified (MAX6896AAZT/V+, MAX6895AAZT/V+T, MAX6897AAZT/V+ Only)

### Applications

- Automotive
- Medical Equipment
- Intelligent Instruments
- Portable Equipment
- Computers/Servers
- Critical  $\mu$ P Monitoring
- Set-Top Boxes
- Telecom

**Ordering Information, Typical Operating Circuit, and Selector Guide appear at end of data sheet.**

### Pin Configurations



**Absolute Maximum Ratings**

V <sub>CC</sub> , $\overline{\text{ENABLE}}$ , $\overline{\text{ENABLE}}$ , IN .....	-0.3V to +6V	Operating Temperature Range.....	-40°C to +125°C
OUT, $\overline{\text{OUT}}$ (push-pull).....	-0.3V to (V <sub>CC</sub> + 0.3V)	Storage Temperature Range.....	-65°C to +150°C
OUT, $\overline{\text{OUT}}$ (open-drain).....	-0.3V to +30V	Junction Temperature.....	+150°C
CDELAY .....	-0.3V to (V <sub>CC</sub> + 0.3V)	Lead Temperature (soldering, 10s) .....	+300°C
Output Current (all pins).....	±20mA	Soldering Temperature (reflow).....	+260°C
Continuous Power Dissipation (T <sub>A</sub> = +70°C)			
6-Pin $\mu$ DFN (derate 2.1mW/°C above +70°C) .....	167.7mW		
6-Pin Thin SOT23 (derate 9.1mW/°C above +70°C).....	727.3mW		

Stresses beyond those listed under "Absolute Maximum Ratings" may cause permanent damage to the device. These are stress ratings only, and functional operation of the device at these or any other conditions beyond those indicated in the operational sections of the specifications is not implied. Exposure to absolute maximum rating conditions for extended periods may affect device reliability.

**Package Thermal Characteristics (Note 1)**

$\mu$ DFN	Thin SOT23		
Junction-to-Ambient Thermal Resistance ( $\theta_{JA}$ ).....	477°C/W	Junction-to-Ambient Thermal Resistance ( $\theta_{JA}$ ).....	110°C/W
Junction-to-Case Thermal Resistance ( $\theta_{JC}$ ).....	122C/W	Junction-to-Case Thermal Resistance ( $\theta_{JC}$ ).....	50°C/W

**Note 1:** Package thermal resistances were obtained using the method described in JEDEC specification JESD51-7, using a four layer board. For detailed information on package thermal considerations refer to [www.maximintegrated.com/thermal-tutorial](http://www.maximintegrated.com/thermal-tutorial).

**Electrical Characteristics**

(V<sub>CC</sub> = 1.5V to 5.5V, T<sub>A</sub> = -40°C to +125°C, unless otherwise specified. Typical values are at V<sub>CC</sub> = 3.3V and T<sub>A</sub> = +25°C, unless otherwise noted.) (Note 2)

PARAMETER	SYMBOL	CONDITIONS	MIN	TYP	MAX	UNITS
<b>SUPPLY</b>						
Operating Voltage Range	V <sub>CC</sub>		1.5		5.5	V
Undervoltage Lockout (Note 3)	UVLO	V <sub>CC</sub> falling	1.20		1.35	V
V <sub>CC</sub> Supply Current	I <sub>CC</sub>	V <sub>CC</sub> = 3.3V, no load		10	20	μA
<b>IN</b>						
Threshold Voltage	V <sub>TH</sub>	V <sub>IN</sub> rising, 1.5V < V <sub>CC</sub> < 5.5V	0.491	0.5	0.509	V
Hysteresis	V <sub>HYST</sub>	V <sub>IN</sub> falling		5		mV
Input Current (Note 4)	I <sub>IN</sub>	V <sub>IN</sub> = 0V or V <sub>CC</sub>	-15		+15	nA
<b>CDELAY</b>						
Delay Charge Current	I <sub>CD</sub>		200	250	300	nA
Delay Threshold	V <sub>TCD</sub>	CDELAY rising	0.95	1.00	1.05	V
CDELAY Pulldown Resistance	R <sub>CDELAY</sub>			130	500	Ω
<b>ENABLE/<math>\overline{\text{ENABLE}}</math></b>						
Input Low Voltage	V <sub>IL</sub>				0.4	V
Input High Voltage	V <sub>IH</sub>		1.4			V
Input Leakage Current	I <sub>LEAK</sub>	ENABLE, $\overline{\text{ENABLE}}$ = V <sub>CC</sub> or GND	-100		+100	nA

**Electrical Characteristics (continued)**

( $V_{CC} = 1.5V$  to  $5.5V$ ,  $T_A = -40^{\circ}C$  to  $+125^{\circ}C$ , unless otherwise specified. Typical values are at  $V_{CC} = 3.3V$  and  $T_A = +25^{\circ}C$ , unless otherwise noted.) (Note 2)

PARAMETER	SYMBOL	CONDITIONS	MIN	TYP	MAX	UNITS
<b>OUT/OUT</b>						
Output Low Voltage (Open-Drain or Push-Pull)	$V_{OL}$	$V_{CC} \geq 1.2V$ , $I_{SINK} = 90\mu A$ , MAX6895/MAX6897/MAX6899 only			0.3	V
		$V_{CC} \geq 2.25V$ , $I_{SINK} = 0.5mA$			0.3	
		$V_{CC} \geq 4.5V$ , $I_{SINK} = 1mA$			0.4	
Output High Voltage (Push-Pull)	$V_{OH}$	$V_{CC} \geq 2.25V$ , $I_{SOURCE} = 500\mu A$		$0.8 \times V_{CC}$		V
		$V_{CC} \geq 4.5V$ , $I_{SOURCE} = 800\mu A$		$0.8 \times V_{CC}$		
Output Open-Drain Leakage Current	$I_{LKG}$	Output high impedance, $V_{OUT} = 28V$			1	$\mu A$
<b>TIMING</b>						
IN to $\overline{OUT}$ Propagation Delay	$t_{DELAY}$	$V_{IN}$ rising	$C_{CDELAY} = 0\mu F$		40	$\mu s$
			$C_{CDELAY} = 0.047\mu F$		190	ms
	$t_{DL}$	$V_{IN}$ falling			16	$\mu s$
Startup Delay (Note 5)					2	ms
ENABLE/ $\overline{ENABLE}$ Minimum Input Pulse Width	$t_{PW}$			1		$\mu s$
ENABLE/ $\overline{ENABLE}$ Glitch Rejection					100	ns
ENABLE/ $\overline{ENABLE}$ to $\overline{OUT}$ Delay	$t_{OFF}$	From device enabled to device disabled			150	ns
ENABLE/ $\overline{ENABLE}$ to $\overline{OUT}$ Delay	$t_{PROPP}$	From device disabled to device enabled (P version)			150	ns
		From device disabled to device enabled (A version)	$C_{CDELAY} = 0\mu F$		20	$\mu s$
$C_{CDELAY} = 0.047\mu F$			190	ms		

**Note 2:** All devices are production tested at  $T_A = +25^{\circ}C$ . Limits over temperature are guaranteed by design.

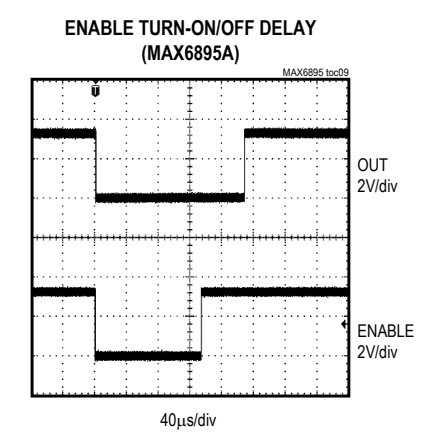
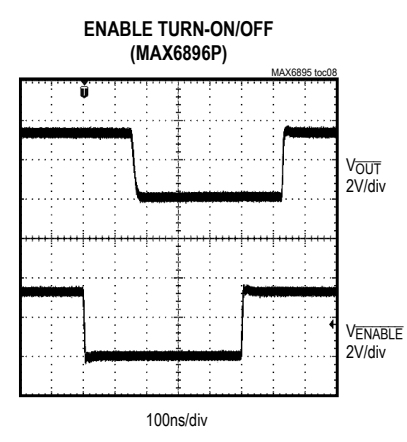
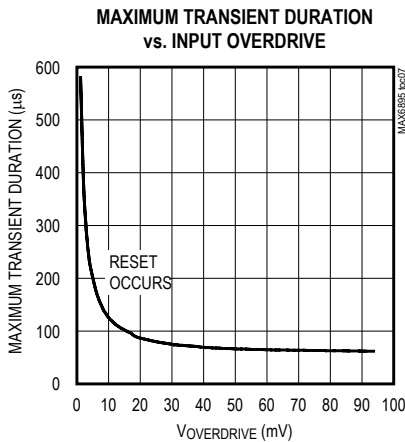
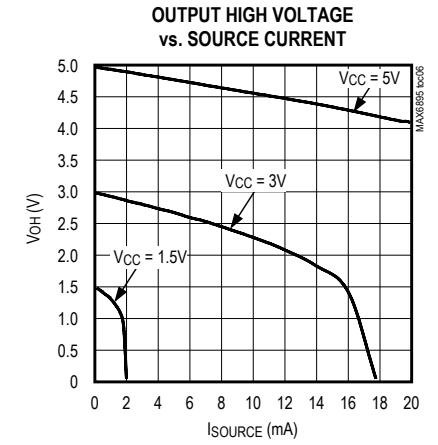
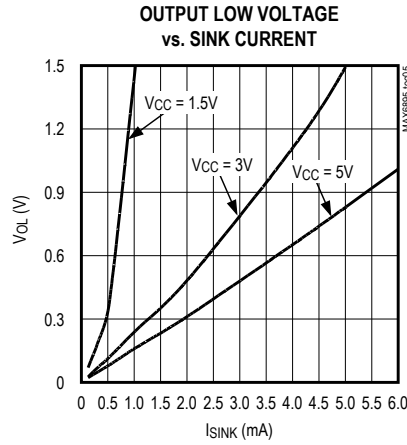
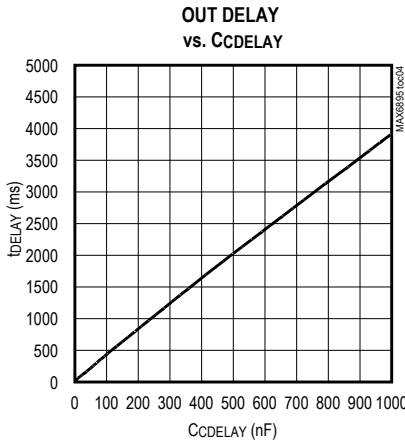
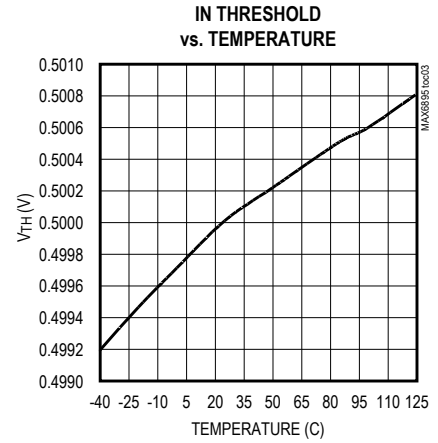
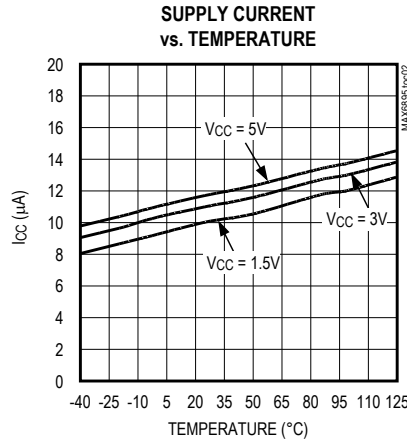
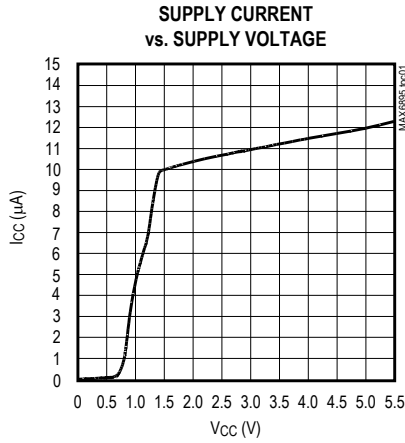
**Note 3:** When  $V_{CC}$  falls below the UVLO threshold, the outputs will deassert ( $\overline{OUT}$  goes low,  $\overline{OUT}$  goes high). When  $V_{CC}$  falls below 1.2V, the out cannot be determined.

**Note 4:** Guaranteed by design.

**Note 5:** During the initial power-up,  $V_{CC}$  must exceed 1.5V for at least 2ms before the output is guaranteed to be in the correct state.

Typical Operating Characteristics

( $V_{CC} = 3.3V$  and  $T_A = +25^\circ C$ , unless otherwise noted.)



## Pin Description

PIN						NAME	FUNCTION
MAX6895/ MAX6897		MAX6896/ MAX6898		MAX6899			
$\mu$ DFN	THIN SOT23	$\mu$ DFN	THIN SOT23	$\mu$ DFN	THIN SOT23		
1	1	—	—	—	—	ENABLE	Active-High Logic-Enable Input. Drive ENABLE low to immediately deassert the output to its false state (OUT = low or $\overline{\text{OUT}}$ = high) independent of $V_{\text{IN}}$ . With $V_{\text{IN}}$ above $V_{\text{TH}}$ , drive ENABLE high to assert the output to its true state (OUT = high or $\overline{\text{OUT}}$ = low) after the adjustable delay period (MAX689_A) or a 150ns propagation delay (MAX689_P).
—	—	1	1	1	1	$\overline{\text{ENABLE}}$	Active-Low Logic-Enable Input. Drive $\overline{\text{ENABLE}}$ high to immediately deassert the output to its false state (OUT = low or $\overline{\text{OUT}}$ = high) independent of $V_{\text{IN}}$ . With $V_{\text{IN}}$ above $V_{\text{TH}}$ , drive $\overline{\text{ENABLE}}$ low to assert the output to its true state (OUT = high or $\overline{\text{OUT}}$ = low) after the adjustable delay period (MAX689_A) or a 150ns propagation delay (MAX689_P).
2	2	2	2	2	2	GND	Ground
3	3	3	3	3	3	IN	High-Impedance Monitor Input. Connect IN to an external resistive divider to set the desired monitored threshold. The output changes state when $V_{\text{IN}}$ rises above 0.5V and when $V_{\text{IN}}$ falls below 0.495V.
4	4	—	—	4	4	OUT	Active-High Sequencer/Monitor Output, Push-Pull (MAX6895/MAX6899) or Open-Drain (MAX6897). OUT is asserted to its true state (OUT = high) when $V_{\text{IN}}$ is above $V_{\text{TH}}$ and the enable input is in its true state (ENABLE = high or $\overline{\text{ENABLE}}$ = low) for the capacitor-adjusted delay period. OUT is deasserted to its false state (OUT = low) immediately after $V_{\text{IN}}$ drops below $V_{\text{TH}} - 5\text{mV}$ or the enable input is in its false state (ENABLE = low or $\overline{\text{ENABLE}}$ = high). The open-drain version requires an external pullup resistor.
—	—	4	4	—	—	$\overline{\text{OUT}}$	Active-Low Sequencer/Monitor Output, Push-Pull (MAX6896) or Open-Drain (MAX6898). $\overline{\text{OUT}}$ is asserted to its true state ( $\overline{\text{OUT}}$ = low) when $V_{\text{IN}}$ is above $V_{\text{TH}}$ and the enable input is in its true state (ENABLE = high or $\overline{\text{ENABLE}}$ = low) after the CDELAY adjusted timeout period. $\overline{\text{OUT}}$ is deasserted to its false state ( $\overline{\text{OUT}}$ = high) immediately after $V_{\text{IN}}$ drops below $V_{\text{TH}} - 5\text{mV}$ or the enable input is in its false state (ENABLE = low or $\overline{\text{ENABLE}}$ = high). The open-drain version requires an external pullup resistor.
5	6	5	6	5	6	CDELAY	Capacitor-Adjustable Delay. Connect an external capacitor ( $C_{\text{CDELAY}}$ ) from CDELAY to GND to set the IN to OUT (and ENABLE to OUT or $\overline{\text{ENABLE}}$ to OUT for A version devices) delay period. $t_{\text{DELAY}} = (C_{\text{CDELAY}} \times 4.0 \times 10^6) + 40\mu\text{s}$ . There is a fixed short delay (40 $\mu\text{s}$ , typ) for the output deasserting when $V_{\text{IN}}$ falls below $V_{\text{TH}}$ .
6	5	6	5	6	5	$V_{\text{CC}}$	Supply Voltage Input. Connect a 1.5V to 5.5V supply to $V_{\text{CC}}$ to power the device. For noisy systems, bypass with a 0.1 $\mu\text{F}$ ceramic capacitor to GND.

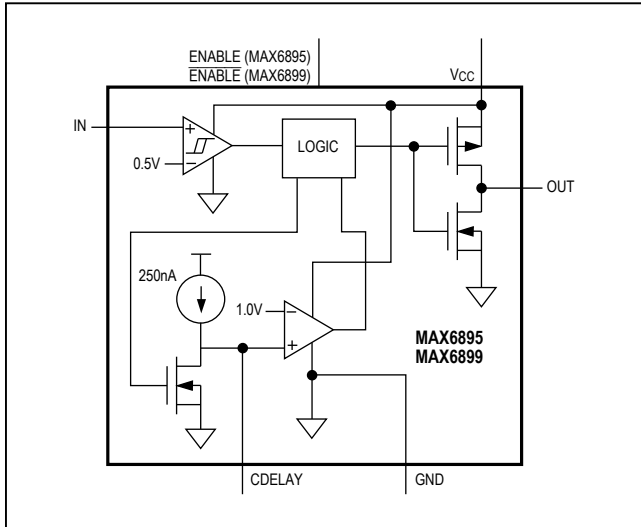


Figure 1. MAX6895/MAX6899 Functional Diagram

### Detailed Description

The MAX6895–MAX6899 is a family of ultra-small, low-power, sequencing/supervisory circuits. These devices provide adjustable voltage monitoring for inputs down to 0.5V. They are ideal for use in power-supply sequencing, reset sequencing, and power-switching applications. Multiple devices can be cascaded for complex sequencing applications.

Voltage monitoring is performed through a high-impedance input (IN) with an internally fixed 0.5V threshold. When the voltage at IN falls below 0.5V or when the enable input is deasserted (ENABLE = low or  $\overline{\text{ENABLE}}$  = high), the output deasserts (OUT goes low or  $\overline{\text{OUT}}$  goes high). When VIN rises above 0.5V and the enable input is asserted (ENABLE = high or  $\overline{\text{ENABLE}}$  = low), the output asserts (OUT goes high or  $\overline{\text{OUT}}$  goes low) after a capacitor-programmable time delay.

With VIN above 0.5V, the enable input can be used to turn the output on or off. After the enable input is asserted, the output turns on with a capacitor-programmable delay period (A version) or with a 150ns propagation delay (P version). Tables 1, 2, and 3 detail the output state depending on the various input and enable conditions.

Table 1. MAX6895/MAX6897 Output

IN	ENABLE	OUT
$V_{IN} < V_{TH}$	Low	Low
$V_{IN} < V_{TH}$	High	Low
$V_{IN} > V_{TH}$	Low	Low
$V_{IN} > V_{TH}$	High	OUT = V <sub>CC</sub> (MAX6895)
		OUT = high Impedance (MAX6897)

Table 2. MAX6896/MAX6898 Output

IN	ENABLE	OUT
$V_{IN} < V_{TH}$	Low	$\overline{\text{OUT}} = V_{CC}$ (MAX6896)
		$\overline{\text{OUT}} = \text{high impedance}$ (MAX6898)
$V_{IN} < V_{TH}$	High	$\overline{\text{OUT}} = V_{CC}$ (MAX6896)
		$\overline{\text{OUT}} = \text{high impedance}$ (MAX6898)
$V_{IN} > V_{TH}$	Low	Low
$V_{IN} > V_{TH}$	High	$\overline{\text{OUT}} = V_{CC}$ (MAX6896)
		$\overline{\text{OUT}} = \text{high impedance}$ (MAX6898)

Table 3. MAX6899 Output

IN	ENABLE	OUT
$V_{IN} < V_{TH}$	Low	Low
$V_{IN} < V_{TH}$	High	Low
$V_{IN} > V_{TH}$	Low	High
$V_{IN} > V_{TH}$	High	Low

### Supply Input (VCC)

The device operates with a VCC supply voltage from 1.5V to 5.5V. To maintain a 1.8% accurate threshold, VCC must be above 1.5V. When VCC falls below the UVLO threshold, the output deasserts. When VCC falls below 1.2V the output state cannot be determined. For noisy systems, connect a 0.1µF ceramic capacitor from VCC to GND as close to the device as possible. For the push-pull active-high output option, a 100kΩ external pulldown resistor to ground ensures the correct logic state for VCC down to 0.

**Monitor Input (IN)**

Connect the center point of a resistive divider to IN to monitor external voltages (see R1 and R2 of the *Typical Operating Circuit*). IN has a rising threshold of  $V_{TH} = 0.5V$  and a falling threshold of  $0.495V$  (5mV hysteresis). When  $V_{IN}$  rises above  $V_{TH}$  and  $\overline{ENABLE}$  is high (or  $ENABLE$  is low) OUT goes high (OUT goes low) after the programmed  $t_{DELAY}$  period. When  $V_{IN}$  falls below  $0.495V$ , OUT goes low (OUT goes high) after a  $16\mu s$  delay. IN has a maximum input current of  $15nA$  so large-value resistors are permitted without adding significant error to the resistive divider.

**Adjustable Delay (CDELAY)**

When  $V_{IN}$  rises above  $V_{TH}$  with  $ENABLE$  high ( $\overline{ENABLE}$  low), the internal  $250nA$  current source begins charging an external capacitor connected from CDELAY to GND. When the voltage at CDELAY reaches  $1V$ , the output

asserts (OUT goes high or  $\overline{OUT}$  goes low). When the output asserts,  $C_{CDELAY}$  is immediately discharged. Adjust the delay ( $t_{DELAY}$ ) from when  $V_{IN}$  rises above  $V_{TH}$  (with  $ENABLE$  high or  $ENABLE$  low) to OUT going high ( $\overline{OUT}$  going low) according to the equation:

$$t_{DELAY} = C_{CDELAY} \times 4.0 \times 10^6 + 40\mu s$$

where  $C_{CDELAY}$  is the external capacitor from CDELAY to GND.

For adjustable delay devices (A version), when  $V_{IN} > 0.5V$  and  $ENABLE$  goes from low to high ( $\overline{ENABLE}$  goes from high to low) the output asserts after a  $t_{DELAY}$  period. For nonadjustable delay devices (P version) there is a  $1\mu s$  propagation delay from when the enable input is asserted to when the output asserts. Figures 2 through 5 show the timing diagrams for the adjustable and fixed delay versions, respectively.

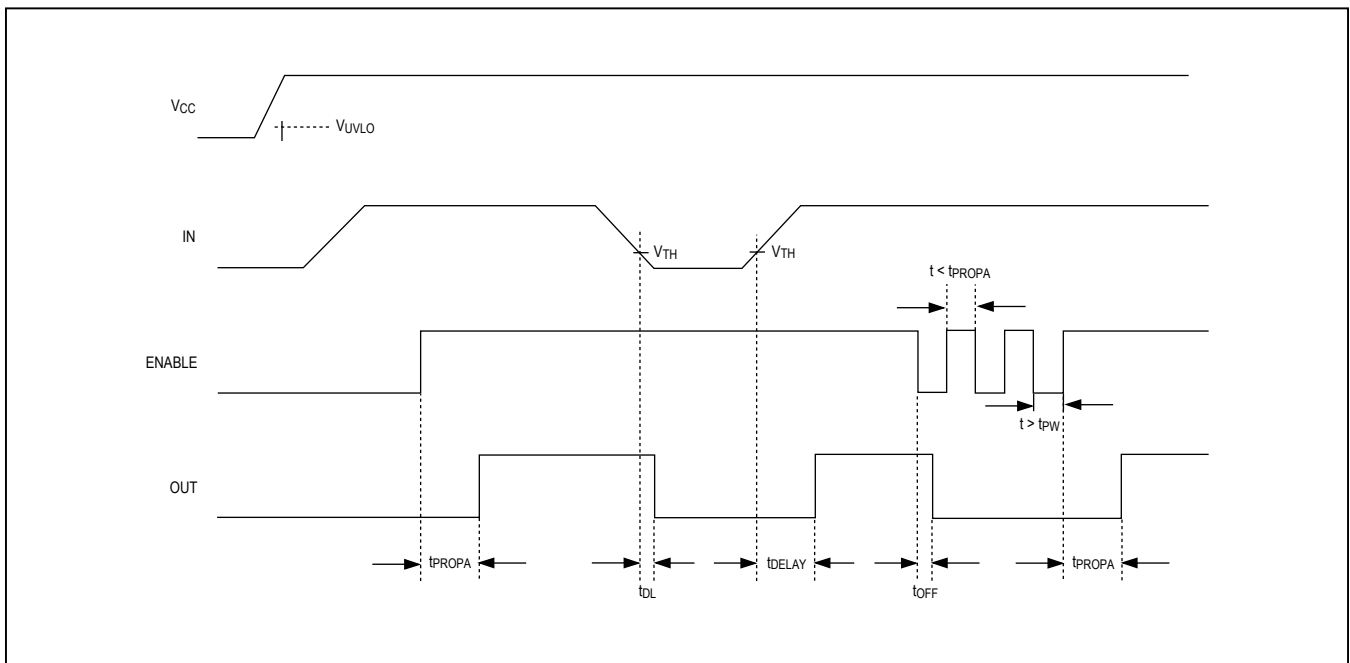


Figure 2. MAX6895A/MAX6897A Timing Diagram

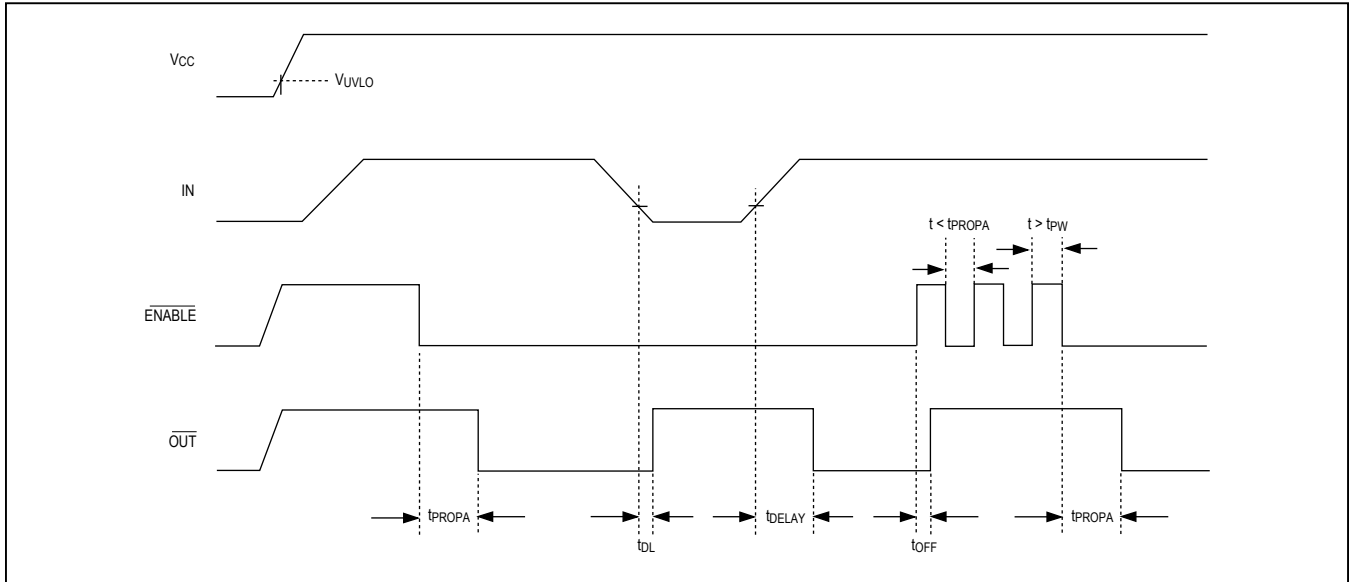


Figure 3. MAX6896A/MAX6898A Timing Diagram

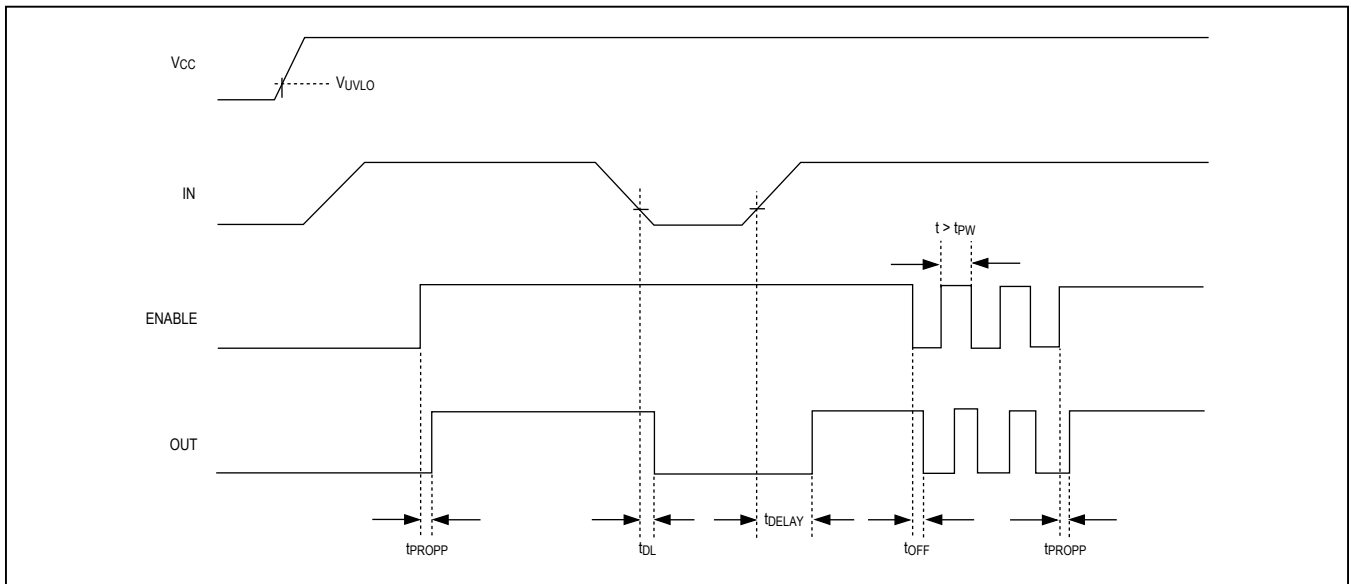


Figure 4. MAX6895P/MAX6897P Timing Diagram

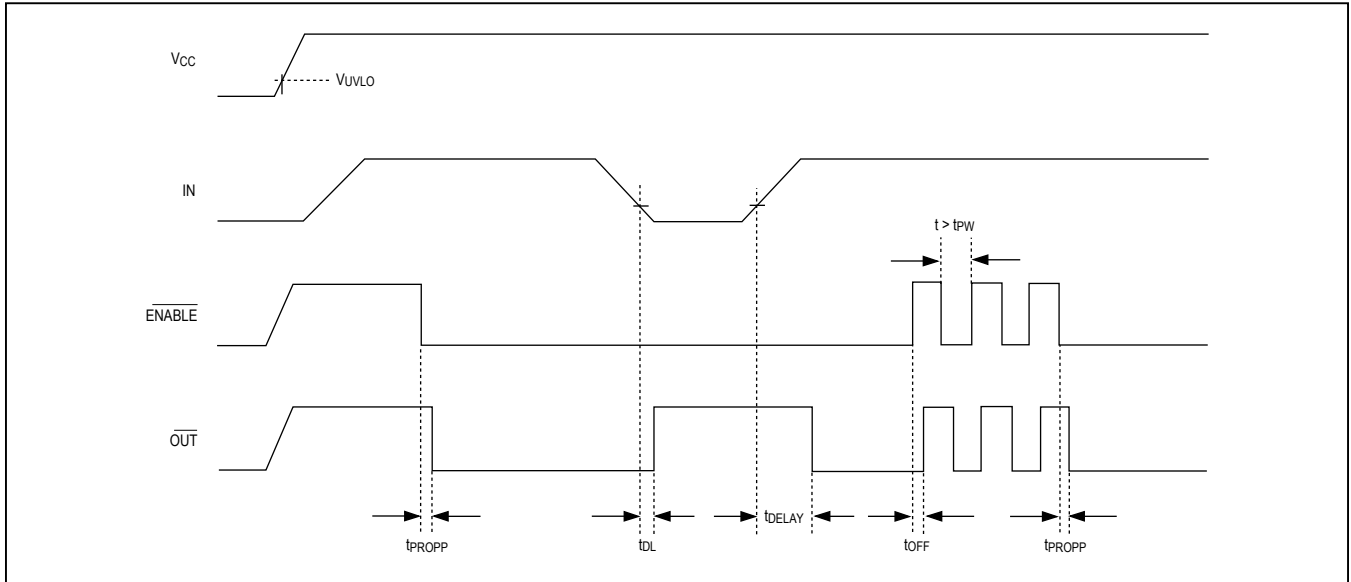


Figure 5. MAX6896P/MAX6898P Timing Diagram

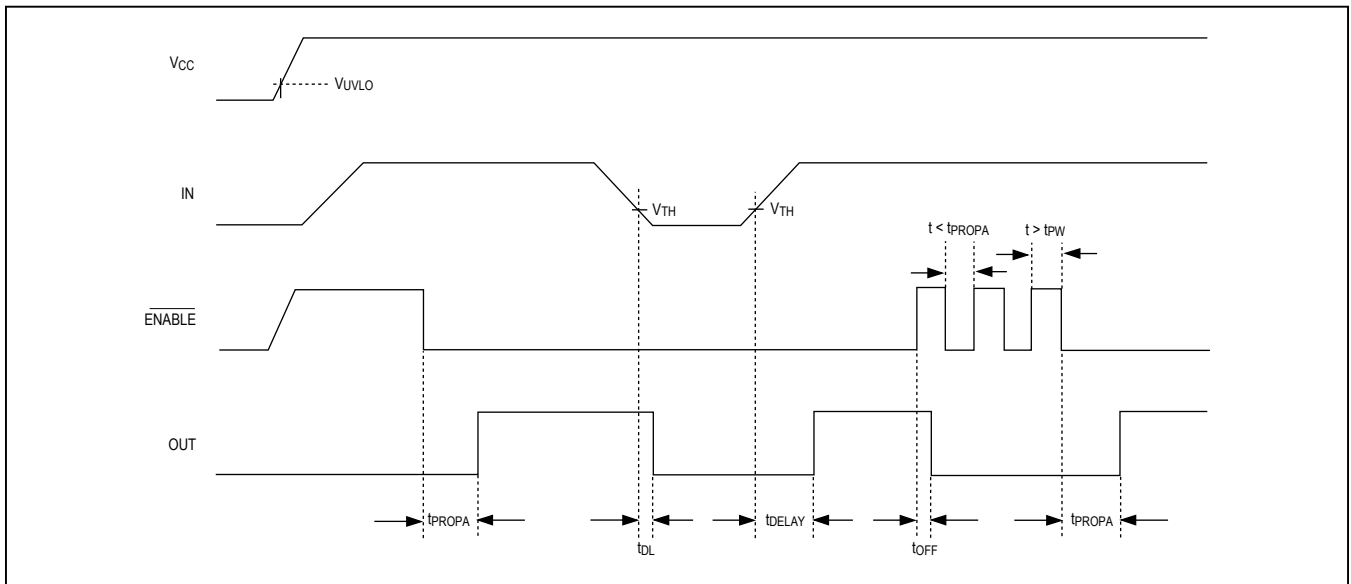


Figure 6. MAX6899A Timing Diagram

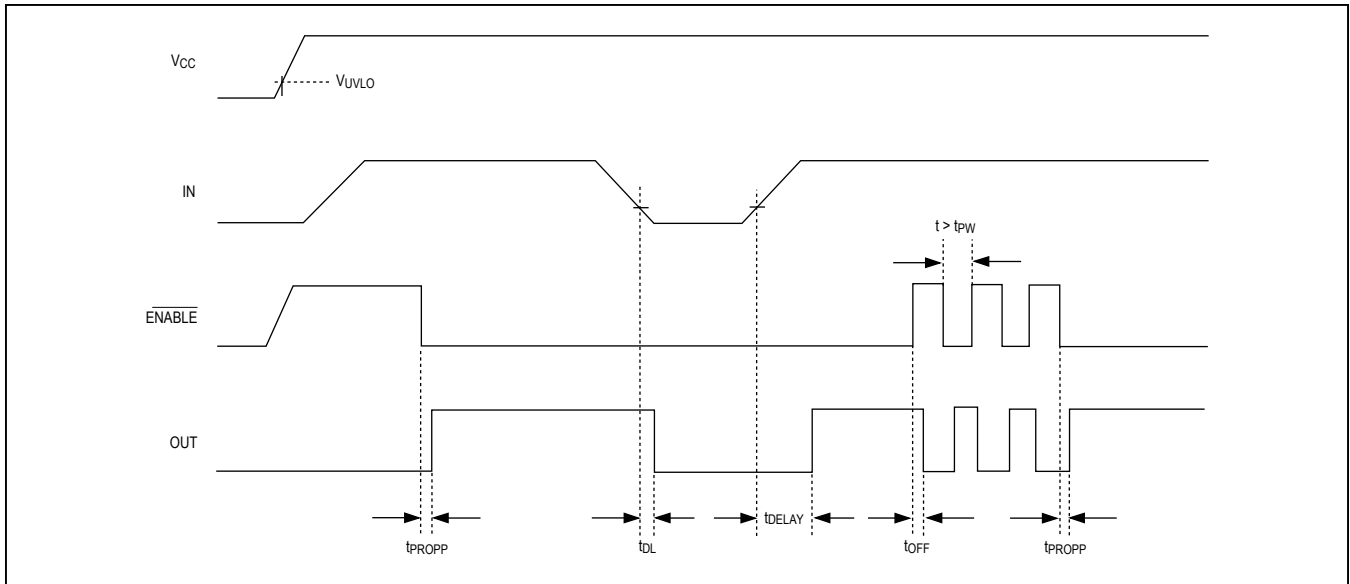


Figure 7. MAX6899P Timing Diagram

### Enable Input (ENABLE or $\overline{\text{ENABLE}}$ )

The MAX6895/MAX6897 offer an active-high enable input (ENABLE), while the MAX6896/MAX6898/MAX6899 offer an active-low enable input ( $\overline{\text{ENABLE}}$ ). With  $V_{IN}$  above  $V_{TH}$ , drive ENABLE high ( $\overline{\text{ENABLE}}$  low) to force OUT high ( $\overline{\text{OUT}}$  low) after the adjustable delay time (A versions). For P version devices, when  $V_{IN} > 0.5V$  and enable is asserted, the output asserts after typically 150ns.

The enable input has logic-high and logic-low voltage thresholds of 1.4V and 0.4V, respectively. For both versions, when  $V_{IN} > 0.5V$ , drive  $\overline{\text{ENABLE}}$  low (ENABLE high) to force OUT low ( $\overline{\text{OUT}}$  high) within 150ns typ.

### Output (OUT or $\overline{\text{OUT}}$ )

The MAX6895/MAX6899 offer an active-high, push-pull output (OUT), and the MAX6896 offers an active-low push-pull output ( $\overline{\text{OUT}}$ ). The MAX6897 offers an active-high open-drain output (OUT), and the MAX6898 offers an active-low open-drain output ( $\overline{\text{OUT}}$ ).

Push-pull output devices are referenced to  $V_{CC}$ . Open-drain outputs can be pulled up to 28V.

## Applications Information

### Input Threshold

The MAX6895–MAX6899 monitor the voltage on IN with an external resistive divider (see R1 and R2 in the *Typical Operating Circuit*). Connect R1 and R2 as close to IN as possible. R1 and R2 can have very high values to minimize current consumption due to low IN leakage currents ( $\pm 15nA$  max). Set R2 to some conveniently high value (1M $\Omega$ , for example) and calculate R1 based on the desired monitored voltage using the following formula:

$$R1 = R2 \times \left[ \frac{V_{MONITOR}}{V_{IN}} - 1 \right] *$$

where  $V_{MONITOR}$  is the desired monitored voltage and  $V_{IN}$  is the detector input threshold (0.5V).

**Pullup Resistor Values  
(MAX6897/MAX6898)**

The exact value of the pullup resistors for the open-drain outputs is not critical, but some consideration should be made to ensure the proper logic levels when the device is sinking current. For example, if  $V_{CC} = 2.25V$  and the pullup voltage is 28V, you would try to keep the sink current less than 0.5mA as shown in the *Electrical Characteristics* table. As a result, the pullup resistor should be greater than 56kΩ. For a 12V pullup, the resistor should be larger than 24kΩ. It should be noted that the ability to sink current is dependent on the  $V_{CC}$  supply voltage.

**Typical Application Circuits**

Figures 8, 9, 10 show typical applications for the MAX6895–MAX6899. Figure 8 shows the MAX6895

used with a p-channel MOSFET in an overvoltage protection circuit. Figure 9 shows the MAX6895 in a low-voltage sequencing application using an n-channel MOSFET. Figure 10 shows the MAX6895 used in a multiple-output sequencing application.

**Using an n-Channel Device for Sequencing**

In higher power applications, using an n-channel device reduces the loss across the MOSFETs as it offers a lower drain-to-source on-resistance. However, an n-channel MOSFET requires a sufficient  $V_{GS}$  voltage to fully enhance it for a low  $R_{DS\_ON}$ . The application in Figure 9 shows the MAX6895 in a switch sequencing application using an n-channel MOSFET.

Similarly, if a higher voltage is present in the system, the open-drain version can be used in the same manner.

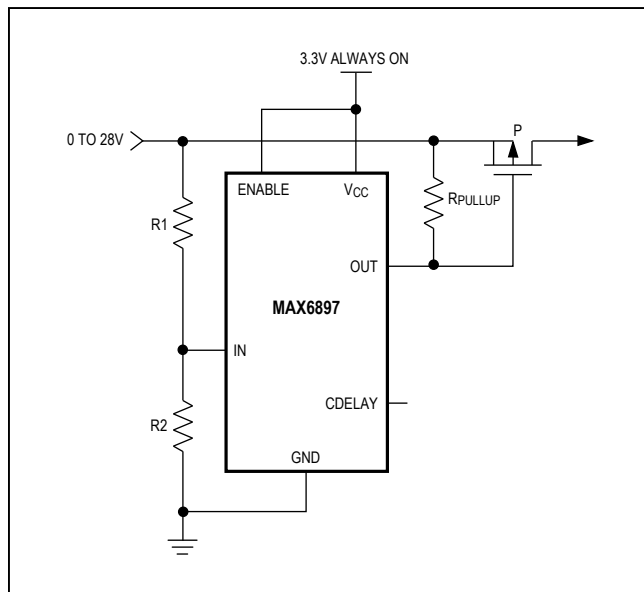


Figure 8. Overvoltage Protection

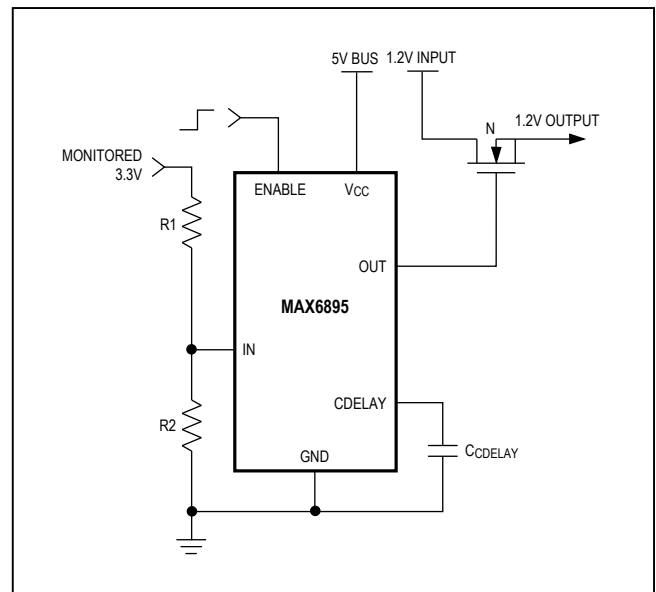


Figure 9. Low-Voltage Sequencing Using an n-Channel MOSFET

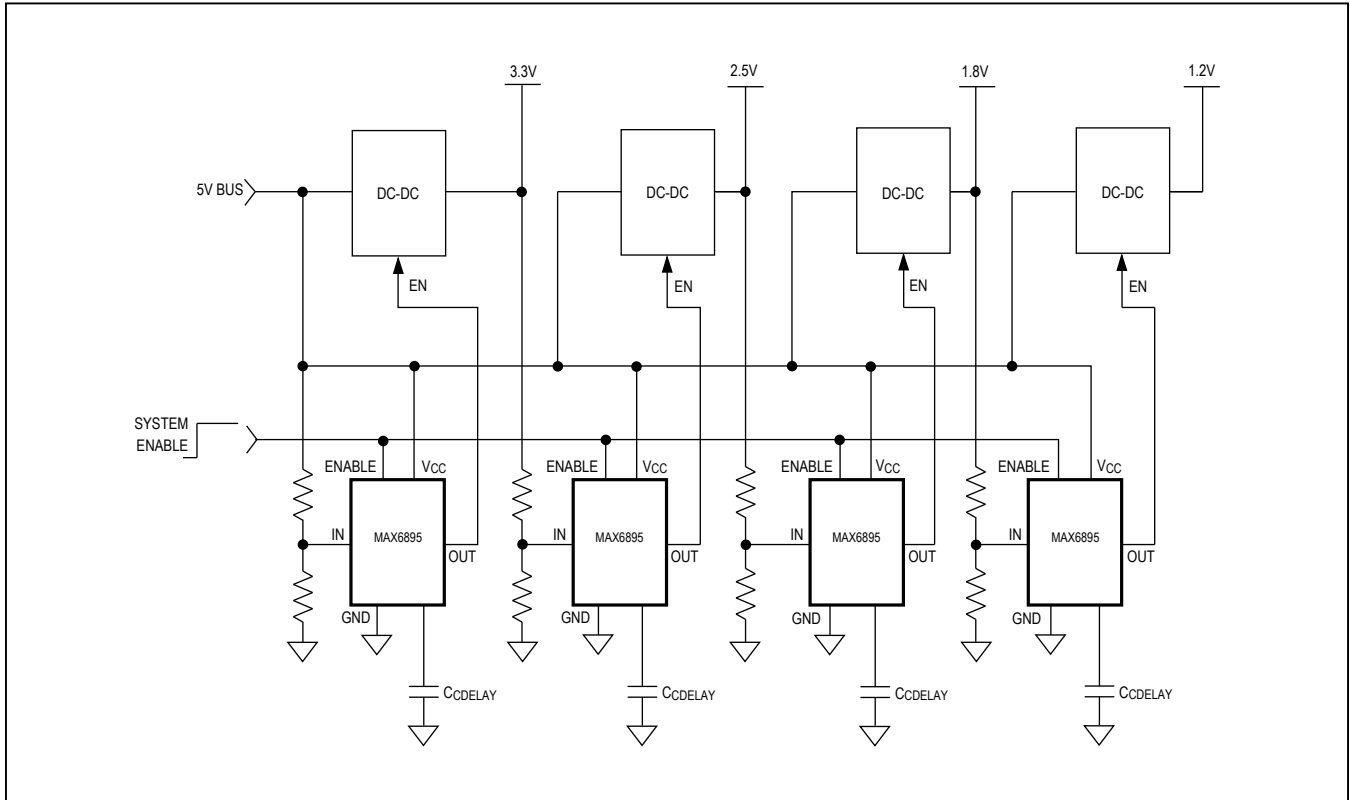


Figure 10. Multiple-Output Sequencing

### Ordering Information

PART	PIN-PACKAGE	TOP MARK
<b>MAX6895</b> AALT+	6 $\mu$ DFN	+AW
MAX6895AAZT+	6 Thin SOT23	+AADK
MAX6895AAZT/V+T	6 Thin SOT23	+AATF
MAX6895PALT+T	6 $\mu$ DFN	+AX
MAX6895PAZT+	6 Thin SOT23	+AADL
<b>MAX6896</b> AALT+	6 $\mu$ DFN	+AY
MAX6896AAZT+	6 Thin SOT23	+AADO
MAX6896AAZT/V+T	6 Thin SOT23	+AATA
MAX6896PALT+T	6 $\mu$ DFN	+AZ
MAX6896PAZT+	6 Thin SOT23	+AADP
<b>MAX6897</b> AALT+	6 $\mu$ DFN	+BA
MAX6897AAZT+	6 Thin SOT23	+AADQ
MAX6897AAZT/V+	6 Thin SOT23	+AADX
MAX6897AAZT/V+T	6 Thin SOT23	+AADX
MAX6897PALT+T	6 $\mu$ DFN	+BB
MAX6897PAZT+	6 Thin SOT23	+AADR
<b>MAX6898</b> AALT+	6 $\mu$ DFN	+BD

PART	PIN-PACKAGE	TOP MARK
MAX6898AAZT+	6 Thin SOT23	+AADS
MAX6898AAZT/V+*	6 Thin SOT23	—
MAX6898AAZT/V+T*	6 Thin SOT23	—
MAX6898PALT+T	6 $\mu$ DFN	+BC
MAX6898PAZT+	6 Thin SOT23	+AADT
<b>MAX6899</b> AALT+	6 $\mu$ DFN	+LO
MAX6899AAZT+	6 Thin SOT23	+AADM
MAX6899PALT+T	6 $\mu$ DFN	+LP
MAX6899PAZT+	6 Thin SOT23	+AADN

**Note:** All devices are specified over the  $-40^{\circ}\text{C}$  to  $+125^{\circ}\text{C}$  operating temperature range.

+Denotes a lead(Pb)-free/RoHS-compliant package.

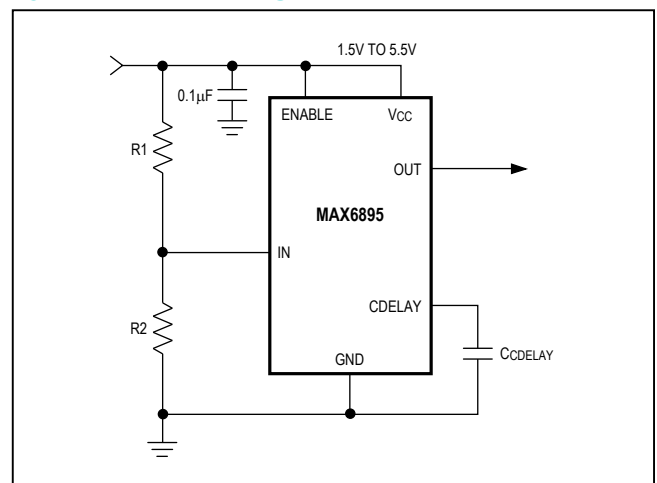
/V denotes an automotive qualified part; T = Tape and reel.

\*Future product—Contact factory for availability.

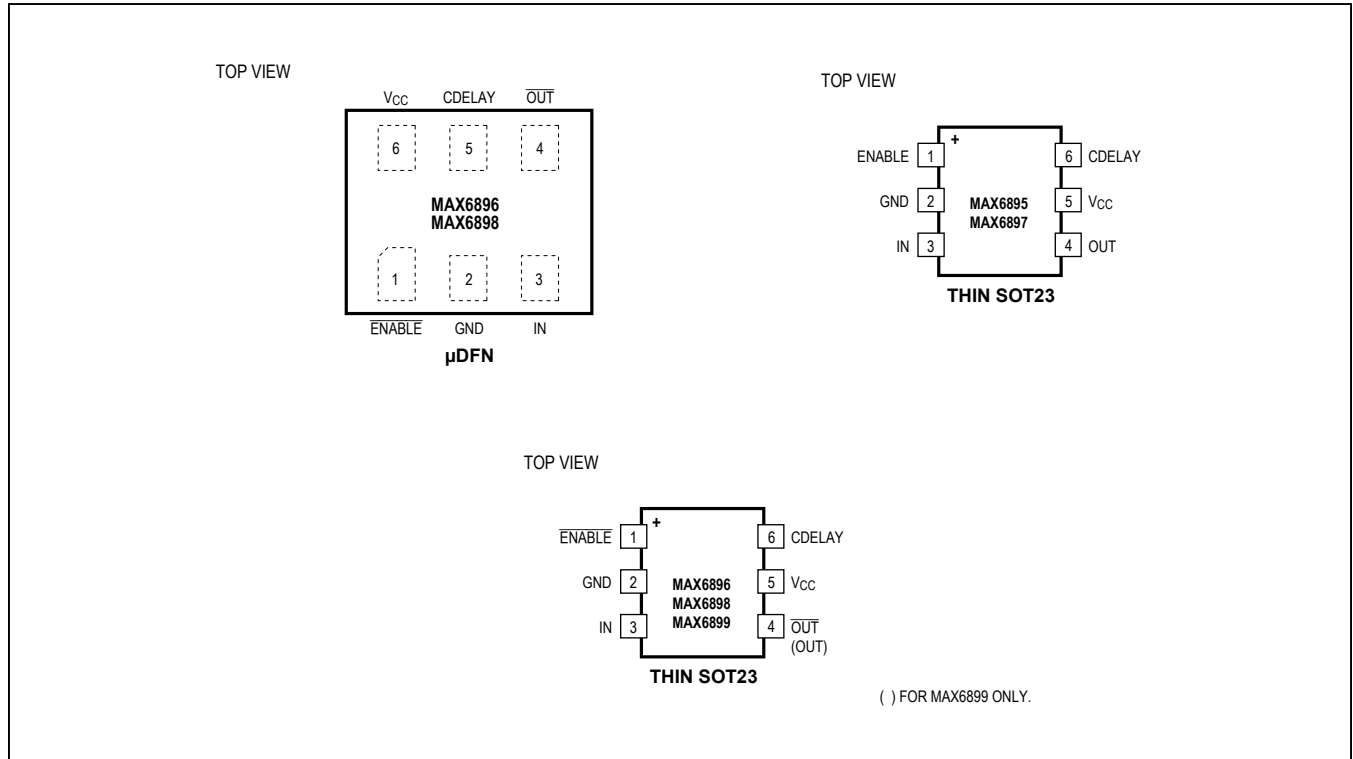
Selector Guide

PART	ENABLE INPUT	OUTPUT	INPUT (IN) DELAY	ENABLE DELAY
MAX6895AALT+T	Active-High	Active-High, Push-Pull	Capacitor Adjustable	Capacitor Adjustable
MAX6895AAZT+T	Active-High	Active-High, Push-Pull	Capacitor Adjustable	Capacitor Adjustable
MAX6895PALT+T	Active-High	Active-High, Push-Pull	Capacitor Adjustable	150ns Delay
MAX6895PAZT+T	Active-High	Active-High, Push-Pull	Capacitor Adjustable	150ns Delay
MAX6896AALT+T	Active-Low	Active-Low, Push-Pull	Capacitor Adjustable	Capacitor Adjustable
MAX6896AAZT+T	Active-Low	Active-Low, Push-Pull	Capacitor Adjustable	Capacitor Adjustable
MAX6896PALT+T	Active-Low	Active-Low, Push-Pull	Capacitor Adjustable	150ns Delay
MAX6896PAZT+T	Active-Low	Active-Low, Push-Pull	Capacitor Adjustable	150ns Delay
MAX6897AALT+T	Active-High	Active-High, Open-Drain	Capacitor Adjustable	Capacitor Adjustable
MAX6897AAZT+T	Active-High	Active-High, Open-Drain	Capacitor Adjustable	Capacitor Adjustable
MAX6897PALT+T	Active-High	Active-High, Open-Drain	Capacitor Adjustable	150ns Delay
MAX6897PAZT+T	Active-High	Active-High, Open-Drain	Capacitor Adjustable	150ns Delay
MAX6898AALT+T	Active-Low	Active-Low, Open-Drain	Capacitor Adjustable	Capacitor Adjustable
MAX6898AAZT+T	Active-Low	Active-Low, Open-Drain	Capacitor Adjustable	Capacitor Adjustable
MAX6898PALT+T	Active-Low	Active-Low, Open-Drain	Capacitor Adjustable	150ns Delay
MAX6898PAZT+T	Active-Low	Active-Low, Open-Drain	Capacitor Adjustable	150ns Delay
MAX6899AALT+T	Active-Low	Active-High, Push-Pull	Capacitor Adjustable	Capacitor Adjustable
MAX6899AAZT+T	Active-Low	Active-High, Push-Pull	Capacitor Adjustable	Capacitor Adjustable
MAX6899PALT+T	Active-Low	Active-High, Push-Pull	Capacitor Adjustable	150ns Delay
MAX6899PAZT+T	Active-Low	Active-High, Push-Pull	Capacitor Adjustable	150ns Delay

Typical Operating Circuit



Pin Configurations (continued)



Chip Information

PROCESS: BICMOS

Package Information

For the latest package outline information and land patterns (footprints), go to [www.maximintegrated.com/packages](http://www.maximintegrated.com/packages). Note that a “+”, “#”, or “-” in the package code indicates RoHS status only. Package drawings may show a different suffix character, but the drawing pertains to the package regardless of RoHS status.

PACKAGE TYPE	PACKAGE CODE	OUTLINE NO.	LAND PATTERN NO.
6 μDFN	L611+1	<a href="#">21-0147</a>	<a href="#">90-0080</a>
6 Thin SOT23	Z6+1, Z6+1A	<a href="#">21-0114</a>	<a href="#">90-0242</a>

## Revision History

REVISION NUMBER	REVISION DATE	DESCRIPTION	PAGES CHANGED
5	10/07	—	1, 13, 18
6	11/09	Corrected <i>Absolute Maximum Ratings</i> and made style corrections to <i>Electrical Characteristics</i> and TOC8 and TOC9	2–5
7	7/10	Revised Figures 3, 4, and 6	7–9
8	7/11	Added automotive packages for MAX6896A and MAX6896P; added top mark to MAX6896AAZT/V+1 in the <i>Ordering Information</i> table	1
9	12/13	Added automotive packages for MAX6897 in the <i>Ordering Information</i> table	13
10	3/14	Added automotive packages for MAX6898 in the <i>Ordering Information</i> table	13
11	12/17	Added AEC statement and updated <i>Ordering Information</i> table	1, 12
12	3/18	Updated <i>Ordering Information</i> table	12
13	8/18	Updated <i>Ordering Information</i> table	12
14	9/18	Updated <i>Features</i> section	1

For pricing, delivery, and ordering information, please visit Maxim Integrated's online storefront at <https://www.maximintegrated.com/en/storefront/storefront.html>.

Maxim Integrated cannot assume responsibility for use of any circuitry other than circuitry entirely embodied in a Maxim Integrated product. No circuit patent licenses are implied. Maxim Integrated reserves the right to change the circuitry and specifications without notice at any time. The parametric values (min and max limits) shown in the *Electrical Characteristics* table are guaranteed. Other parametric values quoted in this data sheet are provided for guidance.

## Looking for pricing, stock, or lifecycle information?

Click below to explore more details on WIN SOURCE:

 [View MAX6896PALT+T on WIN SOURCE](#)

 [Maxim Integrated](#) Information

## Optimize Your Supply Chain with WIN SOURCE Solutions

-  Global Sourcing Solution
-  Obsolete Management
-  Cost Control Management
-  Shortage Management
-  Alternative Solution
-  Excess Inventory Management