



**THE DATASHEET OF  
MAX9258GCM/V+T**






# Fully Programmable Serializer/Deserializer with UART/I<sup>2</sup>C Control Channel

MAX9257/MAX9258

## General Description

The MAX9257 serializer pairs with the MAX9258 deserializer to form a complete digital video serial link. The MAX9257/MAX9258 feature programmable parallel data width, parallel clock frequency range, spread spectrum, and preemphasis. An integrated control channel transfers data bidirectionally at power-up during video blanking over the same differential pair used for video data. This feature eliminates the need for external CAN or LIN interface for diagnostics or programming. The clock is recovered from input serial data at MAX9258, hence eliminating the need for an external reference clock.

The MAX9257 serializes 10, 12, 14, 16, and 18 bits with the addition of two encoding bits for AC-coupling. The MAX9258 deserializer links with the MAX9257 to deserialize a maximum of 20 (data + encoding) bits per pixel/parallel clock period for a maximum serial-data rate of 840Mbps. The word length can be adjusted to accommodate a higher pixel/parallel clock frequency. The pixel clock can vary from 5MHz to 70MHz, depending on the serial-word length. Enabling parity adds two parity bits to the serial word. The encoding bits reduce ISI and allow AC-coupling.

The MAX9258 receives programming instructions from the electronic control unit (ECU) during the control channel and transmits to the MAX9257 over the serial video link. The instructions can program or update the MAX9257, MAX9258, or an external peripheral device, such as a camera. The MAX9257 communicates with the peripheral device with I<sup>2</sup>C or UART.

The MAX9257/MAX9258 operate from a +3.3V core supply and feature separate supplies for interfacing to +1.8V to +3.3V logic levels. These devices are available in 40-lead TQFN or 48-pin LQFP packages. These devices are specified over the -40°C to +105°C temperature range.

## Applications

Automotive Cameras  
Industrial Cameras  
Navigation Systems Display  
In-Vehicle Entertainment Systems

Typical Operating Circuit and Pin Configurations appear at end of data sheet.



## Features

- ◆ 10/12/14/16/18-Bit Programmable Parallel Data Width
- ◆ MAX9258 Does Not Require Reference Clock
- ◆ Parity Protection for Video and Control Channels
- ◆ Programmable Spread Spectrum
- ◆ Programmable Rising or Falling Edge for HSYNC, VSYNC, and Clock
- ◆ Up to 10 Remotely Programmable GPIO on MAX9257
- ◆ Automatic Resynchronization in Case of Loss of Lock
- ◆ MAX9257 Parallel Clock Jitter Filter PLL with Bypass
- ◆ DC-Balanced Coding Allows AC-Coupling
- ◆ 5 Levels of Preemphasis for Up to 20m STP Cable Drive
- ◆ Integrity Test Using On-Chip Programmable PRBS Generator and Checker
- ◆ LVDS I/O Meet ISO 10605 ESD Protection (±10kV Contact and ±30kV Air Discharge)
- ◆ LVDS I/O Meet IEC 61000-4-2 ESD Protection (±8kV Contact and ±20kV Air Discharge)
- ◆ LVDS I/O Meet ±200V Machine Model ESD Protection
- ◆ -40°C to +105°C Operating Temperature Range
- ◆ Space-Saving, 40-Pin TQFN (5mm x 5mm) with Exposed Pad or 48-Pin LQFP Packages
- ◆ +3.3V Core Supply

## Ordering Information

PART	TEMP RANGE	PIN-PACKAGE
MAX9257GTL/V+	-40°C to +105°C	40 TQFN-EP*
MAX9257GCM/V+	-40°C to +105°C	48 LQFP
MAX9258GCM/V+	-40°C to +105°C	48 LQFP

V denotes an automotive qualified part.

+ Denotes a lead(Pb)-free/RoHS-compliant package.

\*EP = Exposed pad.

# Fully Programmable Serializer/Deserializer with UART/I<sup>2</sup>C Control Channel

## ABSOLUTE MAXIMUM RATINGS

V <sub>CC-</sub> to GND	-0.5V to +4.0V
Any Ground to Any Ground	-0.5V to +0.5V
SDI+, SDI-, SDO+, SDO- to GND	-0.5V to +4.0V
SDO+, SDO- Short Circuit to GND or V <sub>CC</sub> LVDs	Continuous
DIN[0:15], GPIO[0:9], PCLK_IN, HSYNC_IN, VSYNC_IN, SCL/TX, SDA/RX, REM to GND	-0.5V to (V <sub>CCIO</sub> + 0.5V)
DOUT[0:15], PCLK_OUT, HSYNC_OUT, VSYNC_OUT, RX, LOCK, TX, PD, ERROR to GND	-0.5V to (V <sub>CCOUT</sub> + 0.5V)
Continuous Power Dissipation (T <sub>A</sub> = +70°C)	
40-Lead TQFN	
Multilayer PCB (derate 35.7mW/°C above +70°C)	2857mW
48-Lead LQFP	
Multilayer PCB (derate 21.7mW/°C above +70°C)	1739mW
Junction-to-Case Thermal Resistance (θ <sub>JC</sub> ) (Note 1)	
40-Lead TQFN	1.7°C/W
48-Lead LQFP	10°C/W
Junction-to-Ambient Thermal Resistance (θ <sub>JA</sub> ) (Note 1)	
40-Lead TQFN	28°C/W
48-Lead LQFP	46°C/W

## ESD Protection

Human Body Model (R <sub>D</sub> = 1.5kΩ, C <sub>S</sub> = 100pF)	
All Pins to GND	±3kV
IEC 61000-4-2 (R <sub>D</sub> = 330Ω, C <sub>S</sub> = 150pF)	
Contact Discharge	
(SDI+, SDI-, SDO+, SDO-) to GND	±8kV
Air Discharge	
(SDI+, SDI-, SDO+, SDO-) to GND	±20kV
ISO 10605 (R <sub>D</sub> = 2kΩ, C <sub>S</sub> = 330pF)	
Contact Discharge	
(SDI+, SDI-, SDO+, SDO-) to GND	±10kV
Air Discharge	
(SDI+, SDI-, SDO+, SDO-) to GND	±30kV
Machine Model (R <sub>D</sub> = 0Ω, C <sub>S</sub> = 200pF)	
All Pins to GND	±200V
Storage Temperature Range	-65°C to +150°C
Junction Temperature	+150°C
Lead Temperature (soldering, 10s)	+300°C

**Note 1:** Package thermal resistances were obtained using the method described in JEDEC specification JESD51-7, using a 4-layer board. For detailed information on package thermal considerations, refer to [www.maxim-ic.com/thermal-tutorial](http://www.maxim-ic.com/thermal-tutorial).

Stresses beyond those listed under "Absolute Maximum Ratings" may cause permanent damage to the device. These are stress ratings only, and functional operation of the device at these or any other conditions beyond those indicated in the operational sections of the specifications is not implied. Exposure to absolute maximum rating conditions for extended periods may affect device reliability.

## MAX9257 DC ELECTRICAL CHARACTERISTICS

(V<sub>CC-</sub> = +3.0V to +3.6V, R<sub>L</sub> = 50Ω ±1%, T<sub>A</sub> = -40°C to +105°C, unless otherwise noted. Typical values are at V<sub>CC-</sub> = +3.3V, T<sub>A</sub> = +25°C.) (Notes 2, 3)

PARAMETER	SYMBOL	CONDITIONS	MIN	TYP	MAX	UNITS
<b>SINGLE-ENDED INPUTS</b>						
High-Level Input Voltage	V <sub>IH</sub>	V <sub>CCIO</sub> = +1.71V to +3V	0.65 x V <sub>CCIO</sub>		V <sub>CCIO</sub> + 0.3	V
		V <sub>CCIO</sub> = +3V to +3.6V	2		V <sub>CCIO</sub> + 0.3	
		REM input	2		V <sub>CC</sub> + 0.3	
Low-Level Input Voltage	V <sub>IL</sub>	V <sub>CCIO</sub> = +1.71V to +3V	0		0.3 x V <sub>CCIO</sub>	V
		V <sub>CCIO</sub> = +3V to +3.6V	0		0.8	
		REM input	0		0.8	
Input Current	I <sub>IN</sub>	V <sub>IN</sub> = 0 to V <sub>CCIO</sub> V <sub>CCIO</sub> = +1.71V to +3.6V	-20		+20	μA
		V <sub>IN</sub> = 0 to V <sub>CC</sub> , REM input	-20		+20	
Input Clamp Voltage	V <sub>CL</sub>	I <sub>CL</sub> = -18mA			-1.5	V
<b>SINGLE-ENDED OUTPUTS</b>						
High-Level Output Voltage	V <sub>OH</sub>	I <sub>OH</sub> = -100μA			V <sub>CCIO</sub> - 0.1	V
		I <sub>OH</sub> = -2mA			V <sub>CCIO</sub> - 0.35	

# Fully Programmable Serializer/Deserializer with UART/I<sup>2</sup>C Control Channel

MAX9257/MAX9258

## MAX9257 DC ELECTRICAL CHARACTERISTICS (continued)

(V<sub>CC-</sub> = +3.0V to +3.6V, R<sub>L</sub> = 50Ω ±1%, T<sub>A</sub> = -40°C to +105°C, unless otherwise noted. Typical values are at V<sub>CC-</sub> = +3.3V, T<sub>A</sub> = +25°C.) (Notes 2, 3)

PARAMETER	SYMBOL	CONDITIONS	MIN	TYP	MAX	UNITS
Low-Level Output Voltage	V <sub>OL</sub>	I <sub>OL</sub> = 100μA			0.1	V
		I <sub>OL</sub> = 2mA			0.3	
Output Short-Circuit Current	I <sub>OS</sub>	Shorted to GND	-44		-10	mA
		Shorted to V <sub>CC-</sub>	10		44	
<b>I<sup>2</sup>C/UART I/O</b>						
Input Leakage Current	I <sub>ILKG</sub>	V <sub>I</sub> = V <sub>CC</sub>	-1		+1	μA
High-Level Input Voltage SDA/RX	V <sub>IH2</sub>		0.7 x V <sub>CC</sub>			V
Low-Level Input Voltage SDA/RX	V <sub>IL2</sub>				0.3 x V <sub>CC</sub>	V
Low-Level Output Voltage SCL, SDA	V <sub>OL2</sub>	R <sub>PULLUP</sub> = 1.6kΩ			0.4	V
<b>LVDS OUTPUTS (SDO+, SDO-)</b>						
Differential Output Voltage	V <sub>OD</sub>	Preemphasis off (Figure 1)	250	350	460	mV
Change in V <sub>OD</sub> Between Complementary Output States	ΔV <sub>OD</sub>				20	mV
Common-Mode Voltage	V <sub>OS</sub>		1.050	1.25	1.375	V
Change in V <sub>OS</sub> Between Complementary Output States	ΔV <sub>OS</sub>				20	mV
Output Short-Circuit Current	I <sub>OS</sub>		V <sub>SDO+</sub> or V <sub>SDO-</sub> = 0 or 3.6V	-15		+15
Magnitude of Differential Output Short-Circuit Current	I <sub>OSD</sub>	V <sub>OD</sub> = 0			15	mA
<b>CONTROL CHANNEL TRANSCEIVER</b>						
Differential Output Voltage	V <sub>OD</sub>		250	350	460	mV
Input Hysteresis (Figure 2)	V <sub>HYST+</sub>	Differential low-to-high threshold	25	90	135	mV
	V <sub>HYST-</sub>	Differential high-to-low threshold	-25	-90	-135	

# Fully Programmable Serializer/Deserializer with UART/I<sup>2</sup>C Control Channel

## MAX9257 DC ELECTRICAL CHARACTERISTICS (continued)

(V<sub>CC\_</sub> = +3.0V to +3.6V, R<sub>L</sub> = 50Ω ±1%, T<sub>A</sub> = -40°C to +105°C, unless otherwise noted. Typical values are at V<sub>CC\_</sub> = +3.3V, T<sub>A</sub> = +25°C.) (Notes 2, 3)

PARAMETER	SYMBOL	CONDITIONS	MIN	TYP	MAX	UNITS
<b>POWER SUPPLY</b>						
Worst-Case Supply Current (Figure 3) C <sub>L</sub> = 8pF, 12 bits	I <sub>CCW</sub>	±2% spread, preemphasis off, PRATE = 60MHz, SRATE = 840Mbps		104	126	mA
		No spread, preemphasis off, PRATE = 60MHz, SRATE = 840Mbps		99	121	
		No spread, preemphasis = 20%, PRATE = 60MHz, SRATE = 840Mbps		99	120	
		No spread, preemphasis = 60%, PRATE = 60MHz, SRATE = 840Mbps		108	127	
		No spread, preemphasis = 100%, PRATE = 60MHz, SRATE = 840Mbps		110	129	
		±2% spread, preemphasis off, PRATE = 28.57MHz, SRATE = 400Mbps		78	96	
		No spread, preemphasis off, PRATE = 28.57MHz, SRATE = 400Mbps		77	94	
		No spread, preemphasis = 100%, PRATE = 28.57MHz, SRATE = 400Mbps		86	105	
		±2% spread, preemphasis off, PRATE = 14.29MHz, SRATE = 200Mbps		55	68	
		No spread, preemphasis off, PRATE = 14.29MHz, SRATE = 200Mbps		54	67	
		No spread, preemphasis = 100%, PRATE = 14.29MHz, SRATE = 200Mbps		59	73	
		±2% spread, preemphasis off, PRATE = 7.14MHz, SRATE = 100Mbps		44	55	
		No spread, preemphasis off, PRATE = 7.14MHz, SRATE = 100Mbps		43	54	
		No spread, preemphasis = 100%, PRATE = 7.14MHz, SRATE = 100Mbps		46	57	
		±2% spread, preemphasis off, PRATE = 5MHz, SRATE = 70Mbps		34	43	
No spread, preemphasis off, PRATE = 5MHz, SRATE = 70Mbps		34	42			
No spread, preemphasis = 100%, PRATE = 5MHz, SRATE = 70Mbps		36	45			
Sleep Mode Supply Current	I <sub>CCS</sub>	Sleep mode			92	μA

# Fully Programmable Serializer/Deserializer with UART/I<sup>2</sup>C Control Channel

MAX9257/MAX9258

## MAX9257 AC ELECTRICAL CHARACTERISTICS

(V<sub>CC\_</sub> = +3.0V to +3.6V, R<sub>L</sub> = 50Ω ±1%, T<sub>A</sub> = -40°C to +105°C, unless otherwise noted. Typical values are at V<sub>CC\_</sub> = +3.3V, T<sub>A</sub> = +25°C.) (Notes 5, 9)

PARAMETER	SYMBOL	CONDITIONS	MIN	TYP	MAX	UNITS
<b>PCLK_IN TIMING REQUIREMENTS</b>						
Clock Period	t <sub>T</sub>		14.28		200.00	ns
Clock Frequency	f <sub>CLK</sub>	1/t <sub>T</sub>	5		70	MHz
Clock Duty Cycle	DC	t <sub>HIGH</sub> /t <sub>T</sub> or t <sub>LOW</sub> /t <sub>T</sub>	35	50	65	%
Clock Transition Time	t <sub>R</sub> , t <sub>F</sub>	(Figure 7)			4	ns
<b>SWITCHING CHARACTERISTICS</b>						
LVDS Output Rise Time	t <sub>R</sub>	20% to 80% (Figure 4)		315	370	ps
LVDS Output Fall Time	t <sub>F</sub>	20% to 80% (Figure 4)		315	370	ps
Control Transceiver Transition Time	t <sub>R1A</sub> , t <sub>F1A</sub>	20% to 80% (Figure 16)	642	970	1390	ps
	t <sub>R2</sub> , t <sub>F2</sub>		810	1140	1420	
	t <sub>R1B</sub> , t <sub>F1B</sub>		290	386	490	
Input Setup Time	t <sub>S</sub>	(Figure 5)	0			ns
Input Hold Time	t <sub>H</sub>	(Figure 5)	3			ns
Parallel-to-Serial Delay	t <sub>PSD1</sub>	Spread off (Figure 6)		(4.55 × t <sub>T</sub> ) + 11		ns
	t <sub>PSD2</sub>	±4% spread		(36.55 × t <sub>T</sub> ) + 11		
PLL Lock Time	t <sub>LOCK</sub>	Combined FPLL and SPLL; PCLK_IN stable		32,768 × t <sub>T</sub>		ns
Random Jitter	t <sub>RJ</sub>	420MHz LVDS output, spread off, FPLL = bypassed			12	ps (RMS)
Deterministic Jitter	t <sub>DJ</sub>	2 <sup>18</sup> - 1 PRBS, SRATE = 840Mbps, 18 bits, no spread			142	ps (P-P)
<b>SCL/TX, SDA/RX</b>						
Rise Time	t <sub>RS</sub>	0.3 × V <sub>CC</sub> to 0.7 × V <sub>CC</sub> , C <sub>L</sub> = 30pF	R <sub>PULLUP</sub> = 10kΩ		400	ns
			R <sub>PULLUP</sub> = 1.6kΩ		60	
Fall Time	t <sub>FS</sub>	0.7 × V <sub>CC</sub> to 0.3 × V <sub>CC</sub> , C <sub>L</sub> = 30pF			40	ns
Pulse Width of Spike Suppressed in SDA	t <sub>SPK</sub>	95kbps to 400kbps		100		ns
		400kbps to 1000kbps		50		
		1000kbps to 4250kbps		10		
		DC to 10Mbps (bypass mode)		10		
Data Setup Time	t <sub>SETUP</sub>	400kbps		100		ns
		4.25Mbps, C <sub>L</sub> = 10pF		60		
Data Hold Time	t <sub>HOLD</sub>	400kbps		100		ns
		4.25Mbps, C <sub>L</sub> = 10pF		0		
<b>I<sup>2</sup>C TIMING (Note 8)</b>						
Maximum SCL Clock Frequency	f <sub>SCL</sub>			4.25		MHz
Minimum SCL Clock Frequency	f <sub>SCL</sub>			95		kHz
Start Condition Hold Time	t <sub>HD:STA</sub>	(Figure 30)	0.6			μs

# Fully Programmable Serializer/Deserializer with UART/I<sup>2</sup>C Control Channel

## MAX9257 AC ELECTRICAL CHARACTERISTICS (continued)

( $V_{CC\_} = +3.0V$  to  $+3.6V$ ,  $R_L = 50\Omega \pm 1\%$ ,  $T_A = -40^\circ C$  to  $+105^\circ C$ , unless otherwise noted. Typical values are at  $V_{CC\_} = +3.3V$ ,  $T_A = +25^\circ C$ .) (Notes 5, 9)

PARAMETER	SYMBOL	CONDITIONS	MIN	TYP	MAX	UNITS
Low Period of SCL Clock	$t_{LOW}$	(Figure 30)	1.1			$\mu s$
High Period of SCL Clock	$t_{HIGH}$	(Figure 30)	0.6			$\mu s$
Repeated START Condition Setup Time	$t_{SU:STA}$	(Figure 30)	0.5			$\mu s$
Data Hold Time	$t_{HD:DAT}$	(Figure 30)	0		0.9	$\mu s$
Data Setup Time	$t_{SU:DAT}$	(Figure 30)	100			ns
Setup Time for STOP Condition	$t_{SU:STO}$	(Figure 30)	0.5			$\mu s$
Bus Free Time	$t_{BUF}$	(Figure 30)	1.1			$\mu s$

## MAX9258 DC ELECTRICAL CHARACTERISTICS

( $V_{CC\_} = +3.0V$  to  $+3.6V$ ,  $R_L = 50\Omega \pm 1\%$ , differential input voltage  $|V_{ID}| = 0.05V$  to  $1.2V$ , input common-mode voltage  $V_{CM} = |V_{ID}|/2$  to  $V_{CC\_} - |V_{ID}|/2$ ,  $T_A = -40^\circ C$  to  $+105^\circ C$ , unless otherwise noted. Typical values are at  $V_{CC\_} = +3.3V$ ,  $|V_{ID}| = 0.2V$ ,  $V_{CM} = 1.2V$ ,  $T_A = +25^\circ C$ .) (Notes 2, 3)

PARAMETER	SYMBOL	CONDITIONS	MIN	TYP	MAX	UNITS
<b>SINGLE-ENDED INPUTS</b>						
High-Level Input Voltage	$V_{IH}$		2.0		$V_{CC}$	V
Low-Level Input Voltage	$V_{IL}$		0		0.8	V
Input Current	$I_{IN}$	$V_{IN} = 0$ to $V_{CC}$	TXIN	-60	+60	$\mu A$
			$\overline{PD}$	-20	+20	
Input Clamp Voltage	$V_{CL}$	$I_{CL} = -18mA$			-1.5	V
<b>SINGLE-ENDED OUTPUTS</b>						
High-Level Output Voltage	$V_{OH}$	$I_{OH} = -100\mu A$	$V_{CCOUT} - 0.1$		V	
		$I_{OH} = -2mA$	$V_{CCOUT} - 0.35$			
Low-Level Output Voltage	$V_{OL}$	$I_{OL} = 100\mu A$	0.1		V	
		$I_{OL} = 2mA$	0.3			
High-Impedance Output Current	$I_{OZ}$	$\overline{PD} = \text{low}$ , $V_O = 0$ to $V_{CCOUT}$	-1		+1	$\mu A$
Output Short-Circuit Current	$I_{OS}$	$V_O = 0V$ (Note 4)	-16		-65	mA
		$PCLK\_OUT$ , $V_O = 0V$	-22		-80	
<b>OPEN-DRAIN OUTPUTS</b>						
Output Low Voltage	$V_{OL}$	$V_{CCOUT} = +3V$ , $I_{OL} = 6.4mA$			0.55	V
Output Low Voltage	$V_{OL}$	$V_{CCOUT} = +1.71V$ , $I_{OL} = 1.95mA$			0.3	V
Leakage Current	$I_{LEAK}$	$V_O = 0$ or $V_{CC}$			1	$\mu A$
<b>LVDS INPUTS (SDI+, SDI-)</b>						
Differential Input High Threshold	$V_{TH}$				50	mV
Differential Input Low Threshold	$V_{TL}$		-50			mV
Input Current	$I_{IN+}$ , $I_{IN-}$		-60		+60	$\mu A$
Power-Off Input Current	$I_{INO+}$ , $I_{INO-}$	$V_{CC\_} = 0$ or open	-70		+70	$\mu A$
<b>CONTROL CHANNEL TRANSCEIVER</b>						
Differential Output Voltage	$V_{OD}$		250		460	mV

# Fully Programmable Serializer/Deserializer with UART/I<sup>2</sup>C Control Channel

MAX9257/MAX9258

## MAX9258 DC ELECTRICAL CHARACTERISTICS (continued)

(V<sub>CC-</sub> = +3.0V to +3.6V, R<sub>L</sub> = 50Ω ±1%, differential input voltage |V<sub>ID</sub>| = 0.05V to 1.2V, input common-mode voltage V<sub>CM</sub> = |V<sub>ID</sub>|/2 to V<sub>CC-</sub> - |V<sub>ID</sub>|/2, T<sub>A</sub> = -40°C to +105°C, unless otherwise noted. Typical values are at V<sub>CC-</sub> = +3.3V, |V<sub>ID</sub>| = 0.2V, V<sub>CM</sub> = 1.2V, T<sub>A</sub> = +25°C.) (Notes 2, 3)

PARAMETER	SYMBOL	CONDITIONS	MIN	TYP	MAX	UNITS
Input Hysteresis (Figure 2)	V <sub>HYST+</sub>	Differential low-to-high threshold	25	90	135	mV
	V <sub>HYST-</sub>	Differential high-to-low threshold	-25	-90	-135	
<b>POWER SUPPLY</b>						
Worst-Case Supply Current C <sub>L</sub> = 8pF, 12 bits (Figure 8)	I <sub>CCW</sub>	±4% spread, PRATE = 60MHz, SRATE = 840Mbps		85	128	mA
		Spread off, PRATE = 60MHz, SRATE = 840Mbps		71	115	
		±4% spread, PRATE = 28.57MHz, SRATE = 400Mbps		67	102	
		Spread off, PRATE = 28.57MHz, SRATE = 400Mbps		57	84	
		±4% spread, PRATE = 14.29MHz, SRATE = 200Mbps		55	82	
		Spread off, PRATE = 14.29MHz, SRATE = 200Mbps		46	67	
		±4% spread, PRATE = 5MHz, SRATE = 70Mbps		42	57	
		Spread off, PRATE = 5MHz, SRATE = 70Mbps		34	49	
Power-Down Supply Current	I <sub>CCZ</sub>	$\overline{PD}$ = low		10	50	μA

## MAX9258 AC ELECTRICAL CHARACTERISTICS

(V<sub>CC-</sub> = +3.0V to +3.6V, R<sub>L</sub> = 50Ω ±1%, C<sub>L</sub> = 8pF, differential input voltage |V<sub>ID</sub>| = 0.1V to 1.2V, input common-mode voltage V<sub>CM</sub> = |V<sub>ID</sub>|/2 to V<sub>CC-</sub> - |V<sub>ID</sub>|/2, T<sub>A</sub> = -40°C to +105°C, unless otherwise noted. Typical values are at V<sub>CC-</sub> = +3.3V, |V<sub>ID</sub>| = 0.2V, V<sub>CM</sub> = 1.2V, T<sub>A</sub> = +25°C. (Notes 5, 6, and 7)

PARAMETER	SYMBOL	CONDITIONS	MIN	TYP	MAX	UNITS
<b>SWITCHING CHARACTERISTICS</b>						
Output Transition Time	t <sub>R</sub> , t <sub>F</sub>	(Figure 9)	0.7		2.2	ns
Output Transition Time, PCLK_OUT	t <sub>R</sub> , t <sub>F</sub>	(Figure 9)	0.5		1.5	ns
Output Transition Time	t <sub>R</sub> , t <sub>F</sub>	V <sub>CCOUT</sub> = 1.71V (Figure 9)	1.0		2.8	ns
Output Transition Time, PCLK_OUT	t <sub>R</sub> , t <sub>F</sub>	V <sub>CCOUT</sub> = 1.71V (Figure 9)	0.7		2.2	ns
Control Channel Transition Time	t <sub>R1A</sub> , t <sub>F1A</sub> , t <sub>R1B</sub> , t <sub>F1B</sub>	(Figure 16)	0.5		1.2	ns
Control Channel Transition Time	t <sub>R2</sub> , t <sub>F2</sub>	(Figure 16)	0.6		1.3	ns
PCLK_OUT High Time	t <sub>HIGH</sub>	(Figure 10)	0.4 x t <sub>T</sub>		0.6 x t <sub>T</sub>	ns
PCLK_OUT Low Time	t <sub>LOW</sub>	(Figure 10)	0.4 x t <sub>T</sub>		0.6 x t <sub>T</sub>	ns

# Fully Programmable Serializer/Deserializer with UART/I<sup>2</sup>C Control Channel

## MAX9258 AC ELECTRICAL CHARACTERISTICS (continued)

V<sub>CC-</sub> = +3.0V to +3.6V, R<sub>L</sub> = 50Ω ±1%, C<sub>L</sub> = 8pF, differential input voltage |V<sub>ID</sub>| = 0.1V to 1.2V, input common-mode voltage V<sub>CM</sub> = |V<sub>ID</sub>|/2 to V<sub>CC-</sub> - |V<sub>ID</sub>|/2, T<sub>A</sub> = -40°C to +105°C, unless otherwise noted. Typical values are at V<sub>CC-</sub> = +3.3V, |V<sub>ID</sub>| = 0.2V, V<sub>CM</sub> = 1.2V, T<sub>A</sub> = +25°C. (Notes 5, 6, and 7)

PARAMETER	SYMBOL	CONDITIONS		MIN	TYP	MAX	UNITS
Data Valid Before PCLK_OUT	t <sub>DVB</sub>	(Figure 11)		0.35 x			ns
Data Valid After PCLK_OUT	t <sub>DVA</sub>	(Figure 11)		0.35 x			ns
Serial-to-Parallel Delay	t <sub>SPD1</sub>	Spread off (Figure 14)				8t <sub>T</sub>	ns
	t <sub>SPD2</sub>	±4% spread				40t <sub>T</sub>	
Power-Up Delay	t <sub>PUD</sub>	(Figure 12)				100	ns
Power-Down to High Impedance	t <sub>PDD</sub>	(Figure 13)				100	ns
Jitter Tolerance	t <sub>JT</sub>	Each half of the UI, 12 bit, SRATE = 840Mbps, PRBS pattern (Figure 15)	No spread	0.25	0.30		UI

**Note 2:** Current into a pin is defined as positive. Current out of a pin is defined as negative. All voltages are referenced to ground except V<sub>TH</sub> and V<sub>TL</sub>.

**Note 3:** Maximum and minimum limits over temperature are guaranteed by design and characterization. Devices are production tested at T<sub>A</sub> = +105°C.

**Note 4:** One output at a time.

**Note 5:** AC parameters are guaranteed by design and characterization, and are not production tested.

**Note 6:** C<sub>L</sub> includes probe and test jig capacitance.

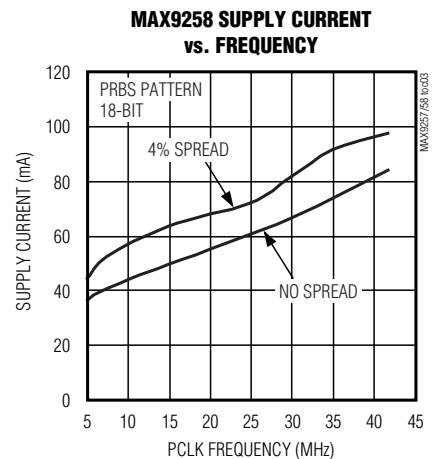
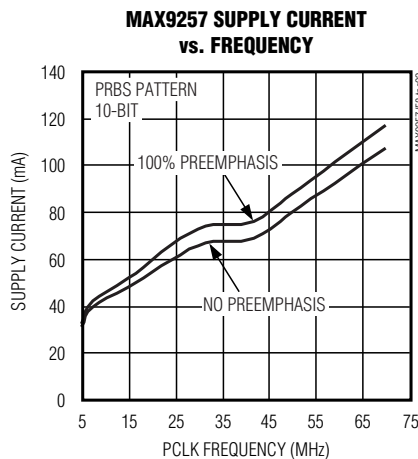
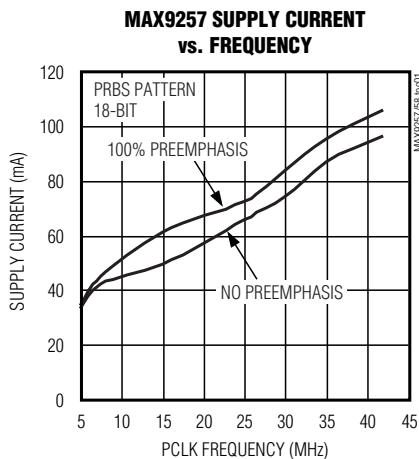
**Note 7:** t<sub>T</sub> is the period of the PCLK\_OUT.

**Note 8:** For high-speed mode timing, see the *Detailed Description* section.

**Note 9:** I<sup>2</sup>C timing parameters are specified for fast-mode I<sup>2</sup>C. Max data rate = 400kbps.

## Typical Operating Characteristics

(V<sub>CC-</sub> = +3.3V, R<sub>L</sub> = 50Ω, C<sub>L</sub> = 8pF, T<sub>A</sub> = +25°C, unless otherwise noted.)



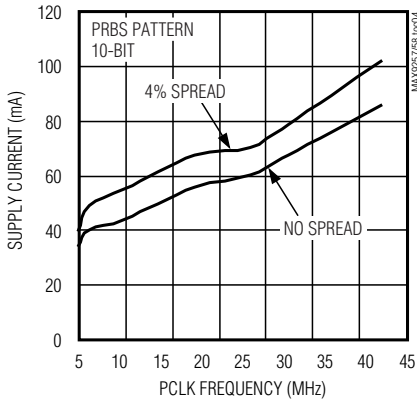
# Fully Programmable Serializer/Deserializer with UART/I<sup>2</sup>C Control Channel

## Typical Operating Characteristics (continued)

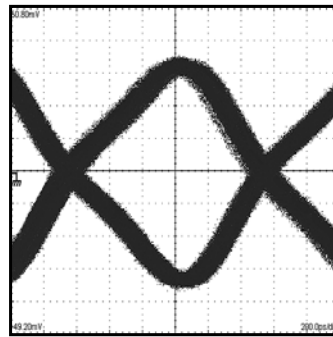
(V<sub>CC\_</sub> = +3.3V, R<sub>L</sub> = 50Ω, C<sub>L</sub> = 8pF, T<sub>A</sub> = +25°C, unless otherwise noted.)

MAX9257/MAX9258

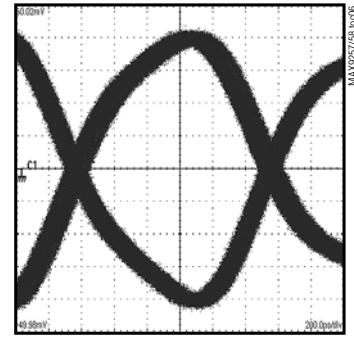
**MAX9258 SUPPLY CURRENT vs. FREQUENCY**



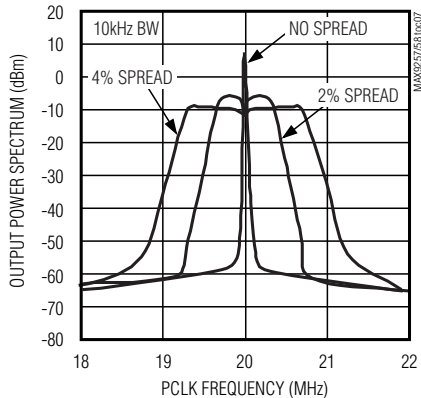
**SERIAL LINK SWITCHING PATTERN WITHOUT PREEMPHASIS (BIT RATE = 840MHz, 2m STP CABLE)**



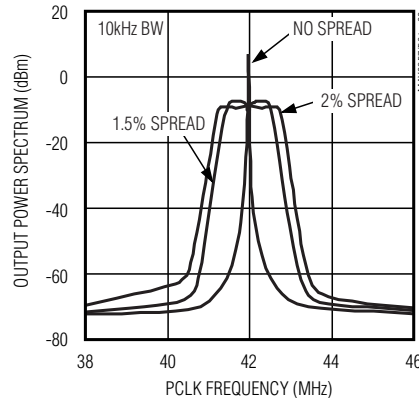
**SERIAL LINK SWITCHING PATTERN WITH PREEMPHASIS (BIT RATE = 840MHz, 2m STP CABLE) (PREEMPHASIS = 100%)**



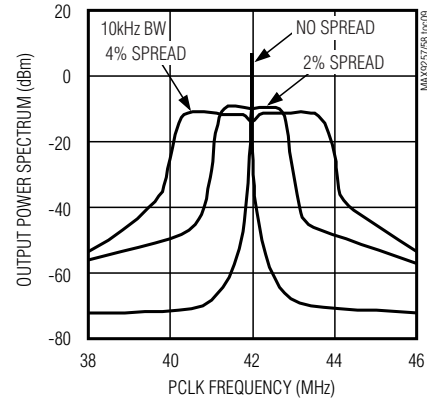
**MAX9257 OUTPUT POWER SPECTRUM vs. PCLK FREQUENCY**



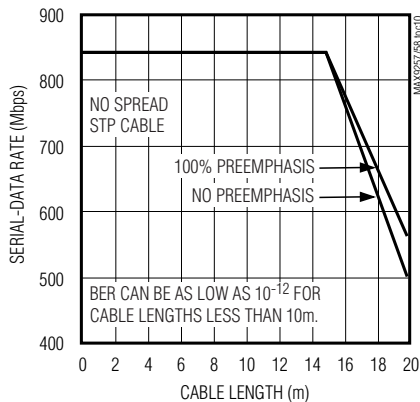
**MAX9257 OUTPUT POWER SPECTRUM vs. PCLK FREQUENCY**



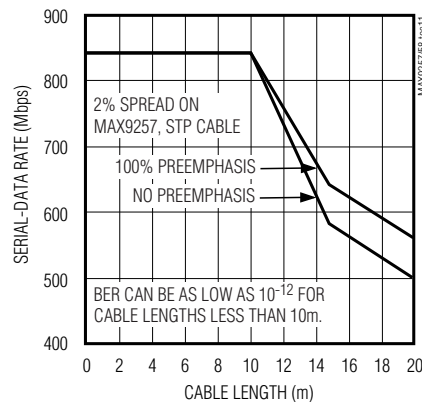
**MAX9258 OUTPUT POWER SPECTRUM vs. PCLK FREQUENCY**



**BIT ERROR RATE (< 10<sup>-9</sup>) vs. CABLE LENGTH**



**BIT ERROR RATE (< 10<sup>-9</sup>) vs. CABLE LENGTH**



# Fully Programmable Serializer/Deserializer with UART/I<sup>2</sup>C Control Channel

## MAX9257 Pin Description

PIN		NAME	FUNCTION
TQFN	LQFP		
1, 18	2, 21	V <sub>CCIO</sub>	Single-Ended Input/Output Buffer Supply Voltage. Bypass V <sub>CCIO</sub> to GND with 0.1μF and 0.001μF capacitors in parallel as close as possible to the device with the smallest value capacitor closest to V <sub>CCIO</sub> .
2, 11, 19, 34	3, 14, 22, 41	GND	Digital Supply Ground
3-8	4-9	DIN[9:14]/ GPIO[1:6]	Data Input/General Purpose Input/Output. When a serial-data word is less than 18 bits word length, DIN_ not programmed as data inputs becomes GPIO (Table 22). DIN[9:14] are internally pulled down to ground.
9	10	GND <sub>FPLL</sub>	Filter PLL Ground
10	11	V <sub>CCFPLL</sub>	Filter PLL Supply Voltage. Bypass V <sub>CCFPLL</sub> to GND <sub>FPLL</sub> with 0.1μF and 0.001μF capacitors in parallel as close as possible to the device with the smallest value capacitor closest to V <sub>CCFPLL</sub> .
12	15	DIN15/GPIO7	Data Input/General Purpose Input/Output. When a serial-data word is less than 18 bits word length, DIN_ not programmed as data input becomes GPIO (Table 22). DIN15 is internally pulled down to ground.
13	16	HSYNC_IN	Horizontal SYNC Input. HSYNC_IN is internally pulled down to ground.
14	17	VSYNC_IN	Vertical SYNC Input. VSYNC_IN is internally pulled down to ground.
15	18	PCLK_IN	Parallel Clock Input. PCLK_IN latches data and sync inputs and provides the PLL reference clock. PCLK_IN is internally pulled down to ground.
16	19	SCL/TX	Open-Drain Control Channel Output. SCL/TX becomes SCL output when UART-to-I <sup>2</sup> C is active. SCL/TX becomes TX output when UART-to-I <sup>2</sup> C is bypassed. Externally pull up to V <sub>CC</sub> .
17	20	SDA/RX	Open-Drain Control Channel Input/Output. SDA/RX becomes bidirectional SDA when UART-to-I <sup>2</sup> C is active. SDA/RX becomes RX input when UART-to-I <sup>2</sup> C is bypassed. SDA output requires a pullup to V <sub>CC</sub> .
20, 33	23, 40	V <sub>CC</sub>	Digital Supply Voltage. Bypass V <sub>CC</sub> to ground with 0.1μF and 0.001μF capacitors in parallel as close as possible to the device with the smallest value capacitor closest to V <sub>CC</sub> .
21	26	GPIO8	General Purpose Input/Output
22	27	GPIO9	General Purpose Input/Output
23	28	V <sub>CCSPLL</sub>	Spread PLL Supply Voltage. Bypass V <sub>CCSPLL</sub> to GND <sub>SPLL</sub> with 0.1μF and 0.001μF capacitors in parallel as close as possible to the device with the smallest value capacitor closest to V <sub>CCSPLL</sub> .
24	29	GND <sub>SPLL</sub>	SPLL Ground
25	30	GND <sub>LVDS</sub>	LVDS Ground
26	31	SDO-	Serial LVDS Inverting Output
27	32	SDO+	Serial LVDS Noninverting Output
28	33	V <sub>CCLVDS</sub>	LVDS Supply Voltage. Bypass V <sub>CCLVDS</sub> to GND <sub>LVDS</sub> with 0.1μF and 0.001μF capacitors in parallel as close as possible to the device with the smallest value capacitor closest to V <sub>CCLVDS</sub> .

# Fully Programmable Serializer/Deserializer with UART/I<sup>2</sup>C Control Channel

## MAX9257 Pin Description (continued)

PIN		NAME	FUNCTION
TQFN	LQFP		
29	34	REM	Remote Power-Up/Power-Down Select Input. Connect REM to ground for power-up to follow V <sub>CC</sub> . Connect REM high to V <sub>CC</sub> through 10kΩ resistor for remote power-up. REM is internally pulled down to GND.
30, 31, 32, 35–39	35, 38, 39, 42–46	DIN[0:7]	Data Inputs. DIN[0:7] are internally pulled down to ground.
40	47	DIN8/GPIO0	Data Input/General Purpose Input/Output. When a serial-data word is less than 18 bits word length, DIN <sub>n</sub> not programmed as data input becomes GPIO (Table 22). DIN8 is internally pulled down to ground.
—	1, 12, 13 24, 25, 36, 37, 48	N.C.	No Connection. Not internally connected.
—	—	EP	Exposed Pad for Thin QFN Package Only. Connect EP to ground.

MAX9257/MAX9258

## MAX9258 Pin Description

PIN	NAME	FUNCTION
1, 12, 13, 24, 25, 36, 37	N.C.	No Connection. Not internally connected.
2	V <sub>CC</sub>	Digital Supply Voltage. Bypass V <sub>CC</sub> to GND with 0.1μF and 0.001μF capacitors in parallel as close as possible to the device with the smallest value capacitor closest V <sub>CC</sub> .
3, 14	GND	Digital Supply Ground
4	$\overline{\text{PD}}$	LVCMOS/LVTTL Power-Down Input. Drive $\overline{\text{PD}}$ high to power up the device and enable all outputs. Drive $\overline{\text{PD}}$ low to put all outputs in high impedance and reduce supply current. $\overline{\text{PD}}$ is internally pulled down to ground.
5	V <sub>CCLVDS</sub>	LVDS Supply Voltage. Bypass V <sub>CCLVDS</sub> to GND <sub>LVDS</sub> with 0.1μF and 0.001μF capacitors in parallel as close as possible to the device with the smallest value capacitor closest to V <sub>CCLVDS</sub> .
6	SDI-	Serial LVDS Inverting Input
7	SDI+	Serial LVDS Noninverting Input
8	GND <sub>LVDS</sub>	LVDS Supply Ground
9	GND <sub>PLL</sub>	PLL Supply Ground
10	V <sub>CCPLL</sub>	PLL Supply Voltage. Bypass V <sub>CCPLL</sub> to GND <sub>PLL</sub> with 0.1μF and 0.001μF capacitors in parallel as close to the device as possible with the smallest value capacitor closest to V <sub>CCPLL</sub> .
11	$\overline{\text{ERROR}}$	Active-Low, Open-Drain Error Output. $\overline{\text{ERROR}}$ asserts low to indicate a data transfer error was detected (parity, PRBS, or UART control channel error). $\overline{\text{ERROR}}$ is high to indicate no error detected. $\overline{\text{ERROR}}$ resets when the error registers are read for parity, control channel errors, and when PRBS enable bit is reset for PRBS errors. Pull up to V <sub>CCOUT</sub> with a 1kΩ resistor.
15	RX	LVCMOS/LVTTL Control Channel UART Output

# Fully Programmable Serializer/Deserializer with UART/I<sup>2</sup>C Control Channel

## MAX9258 Pin Description (continued)

PIN	NAME	FUNCTION
16	TX	LVC MOS/LVTTL Control Channel UART Input. TX is internally pulled up to V <sub>CCOUT</sub> .
17	LOCK	Open-Drain Lock Output. LOCK asserts high to indicate PLLs are locked with correct serial-word boundary alignment. LOCK asserts low to indicate PLLs are not locked or incorrect serial-word boundary alignment was detected. Pull up to V <sub>CCOUT</sub> with a 1k $\Omega$ resistor.
18	PCLK_OUT	LVC MOS/LVTTL Recovered Clock Output
19	VSYNC_OUT	LVC MOS/LVTTL Vertical SYNC Output
20	HSYNC_OUT	LVC MOS/LVTTL Horizontal SYNC Output
21, 28–35, 40–46	DOUT[15:0]	LVC MOS/LVTTL Data Outputs
22, 39	V <sub>CCOUT</sub>	Output Supply Voltage. V <sub>CCOUT</sub> is the supply for all output buffers. Bypass V <sub>CCOUT</sub> to GND <sub>OUT</sub> with 0.1 $\mu$ F and 0.001 $\mu$ F capacitors in parallel as close as possible to the device with the smallest value capacitor closest to V <sub>CCOUT</sub> .
23, 38, 48	GND <sub>OUT</sub>	Output Supply Ground
26	V <sub>CCSPLL</sub>	Spread-Spectrum PLL Supply Voltage. Bypass V <sub>CCSPLL</sub> to GND <sub>SPLL</sub> with 0.1 $\mu$ F and 0.001 $\mu$ F capacitors in parallel as close as possible to the device with the smallest value capacitor closest to V <sub>CCSPLL</sub> .
27	GND <sub>SPLL</sub>	SPLL Ground
47	CCEN	LVC MOS/LVTTL Control Channel Enabled Output. CCEN asserts high to indicate that control channel is enabled.

# Fully Programmable Serializer/Deserializer with UART/I2C Control Channel

MAX9257/MAX9258

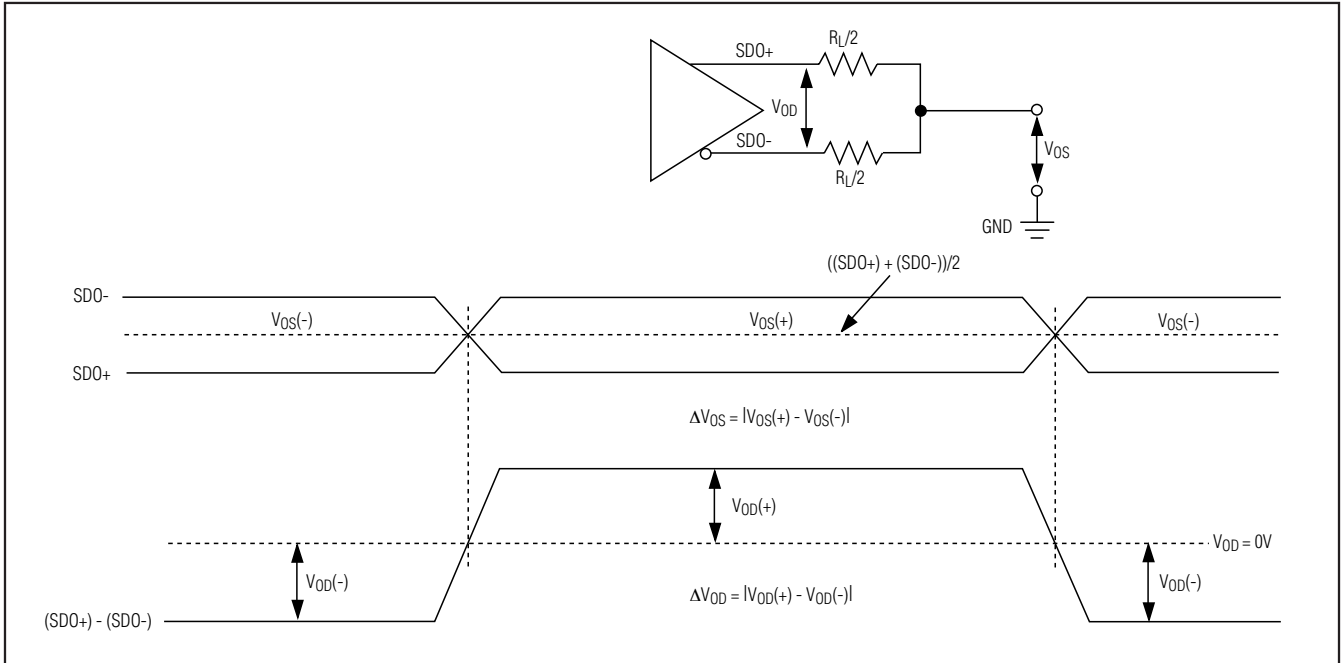


Figure 1. MAX9257 LVDS DC Output Parameters

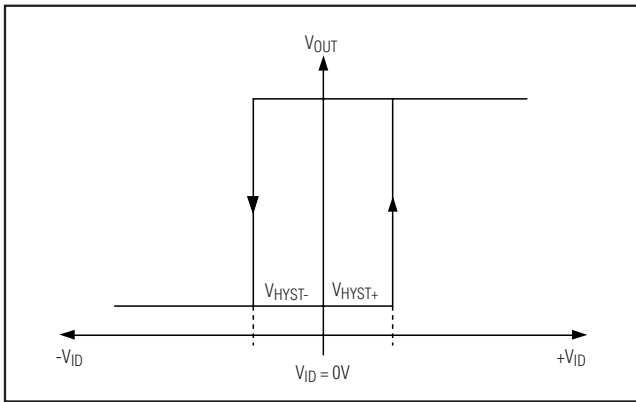


Figure 2. Input Hysteresis

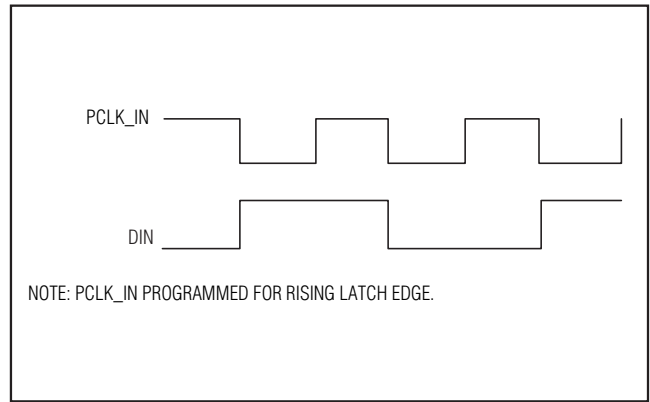


Figure 3. MAX9257 Worst-Case Pattern Input

# Fully Programmable Serializer/Deserializer with UART/I<sup>2</sup>C Control Channel

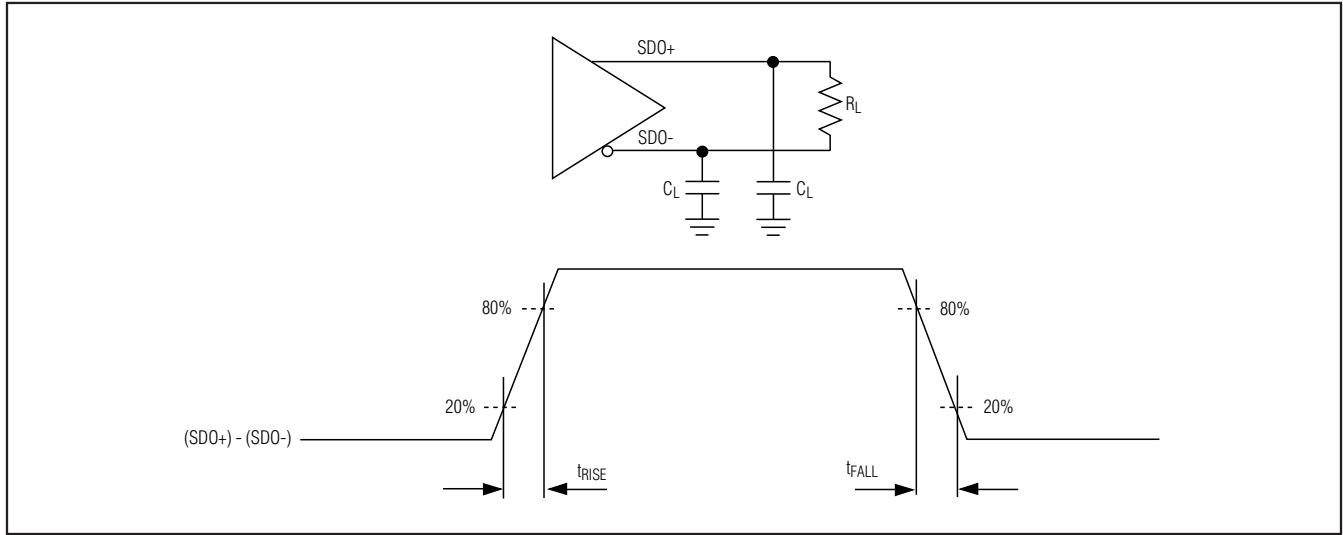


Figure 4. MAX9257 LVDS Control Channel Output Load and Output Rise/Fall Times

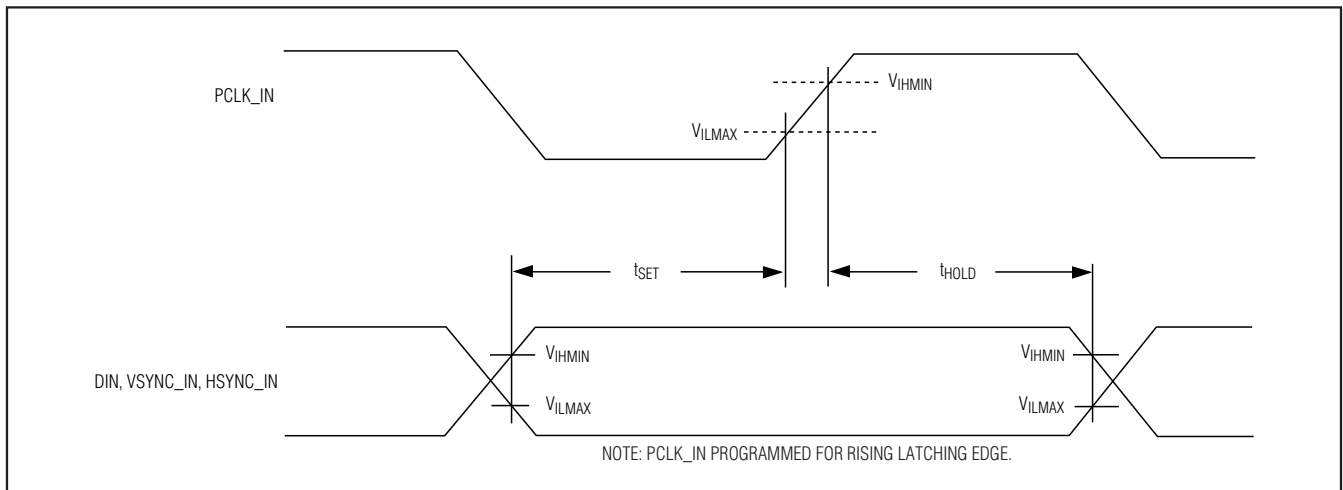


Figure 5. MAX9257 Input Setup and Hold Times

# Fully Programmable Serializer/Deserializer with UART/I<sup>2</sup>C Control Channel

MAX9257/MAX9258

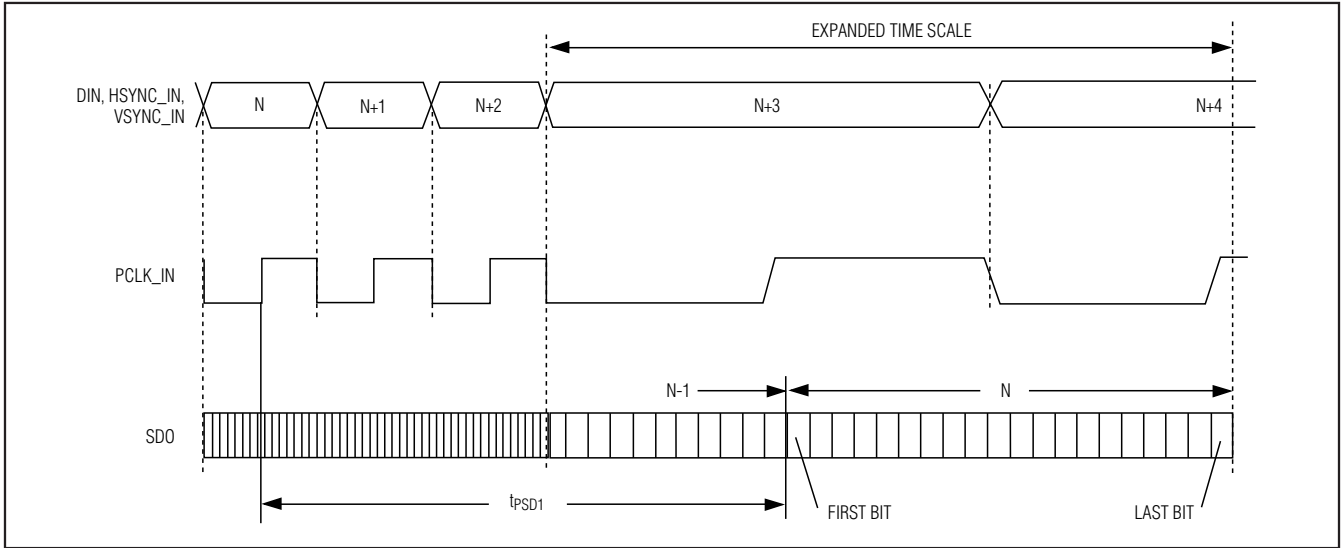


Figure 6. MAX9257 Parallel-to-Serial Delay

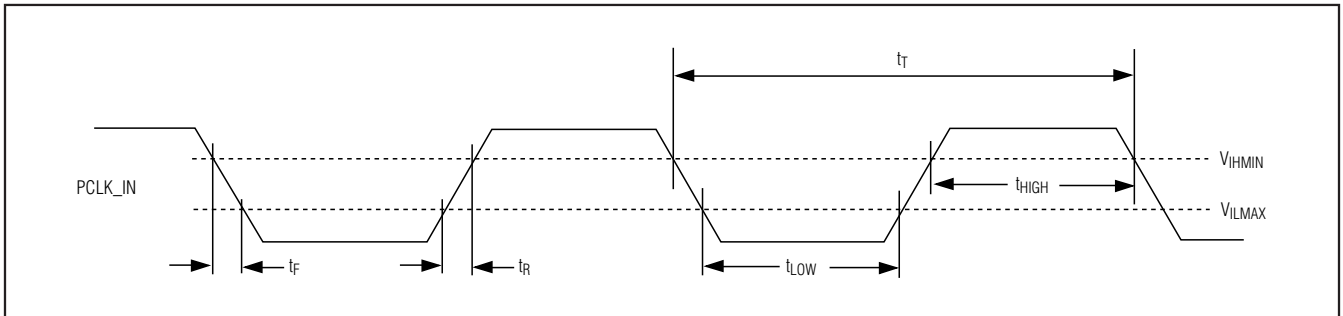


Figure 7. MAX9257 Parallel Input Clock Requirements

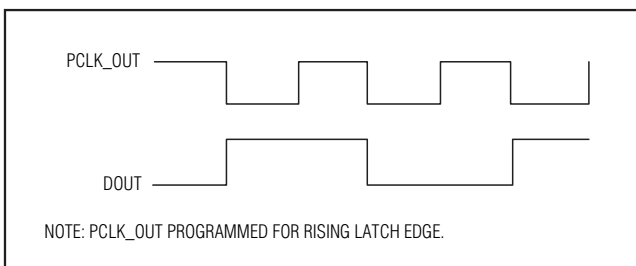


Figure 8. MAX9258 Worst-Case Pattern Output

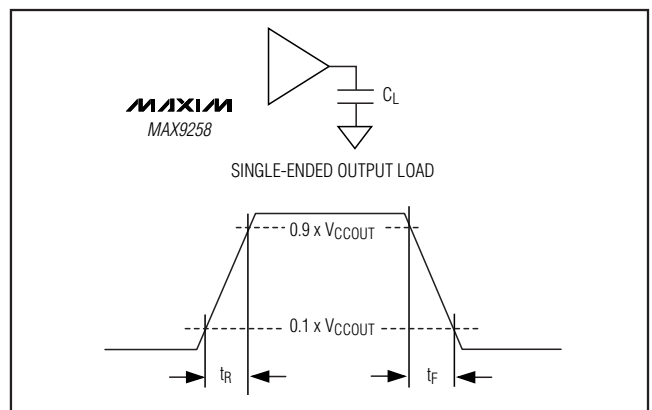


Figure 9. MAX9258 Output Rise and Fall Times

# Fully Programmable Serializer/Deserializer with UART/I<sup>2</sup>C Control Channel

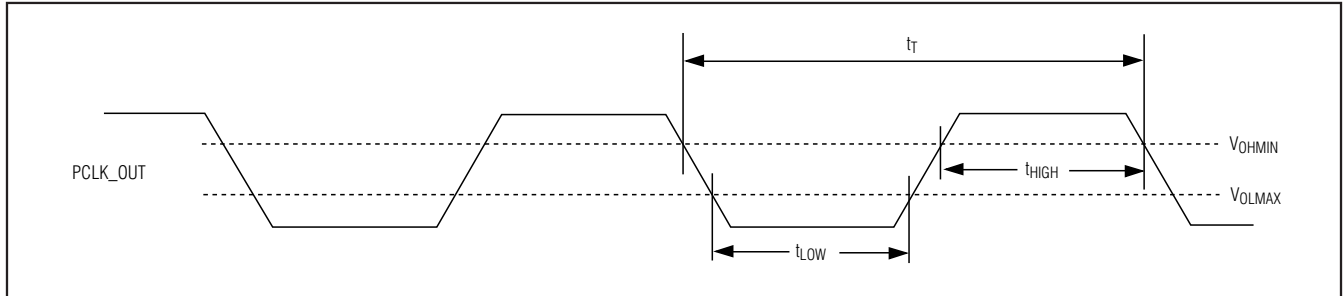


Figure 10. MAX9258 Clock Output High and Low Time

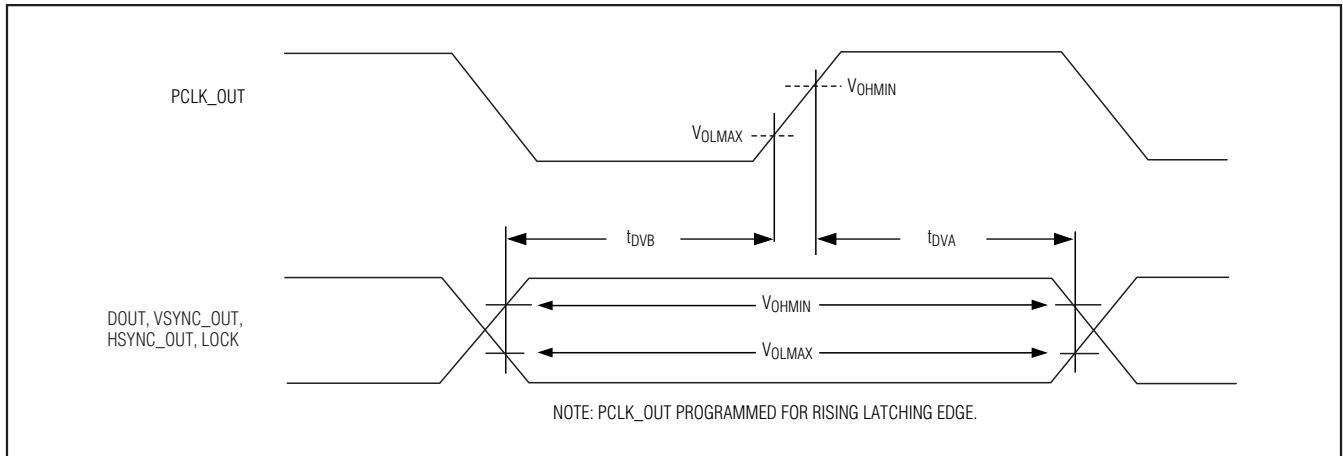


Figure 11. MAX9258 Output Data Valid Times

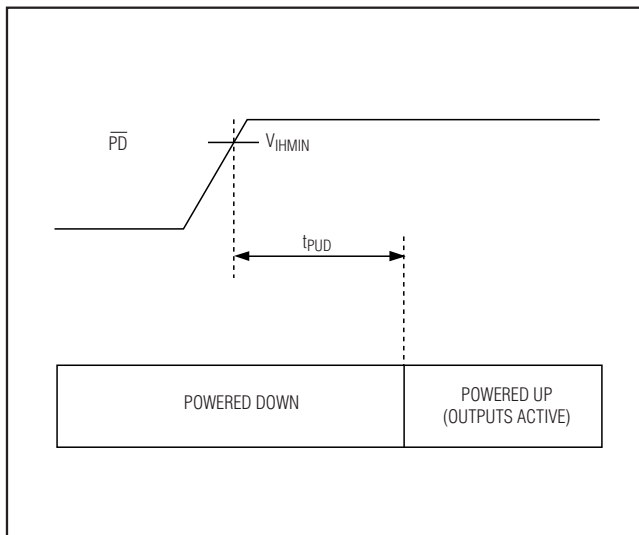


Figure 12. MAX9258 Power-Up Delay

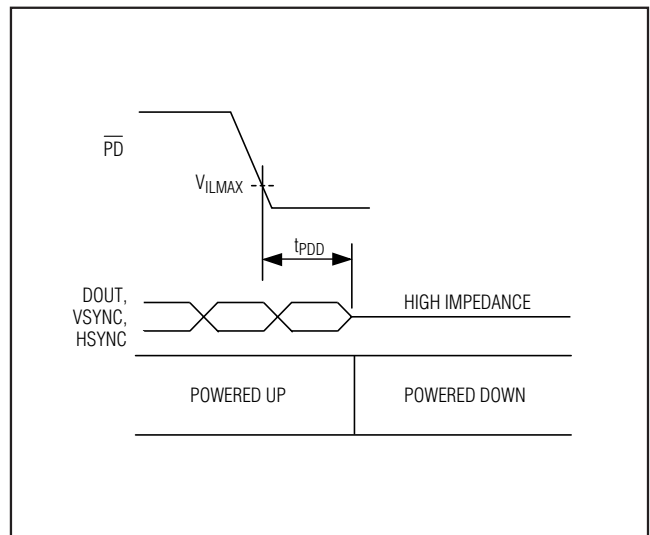


Figure 13. MAX9258 Power-Down Delay

# Fully Programmable Serializer/Deserializer with UART/I<sup>2</sup>C Control Channel

MAX9257/MAX9258

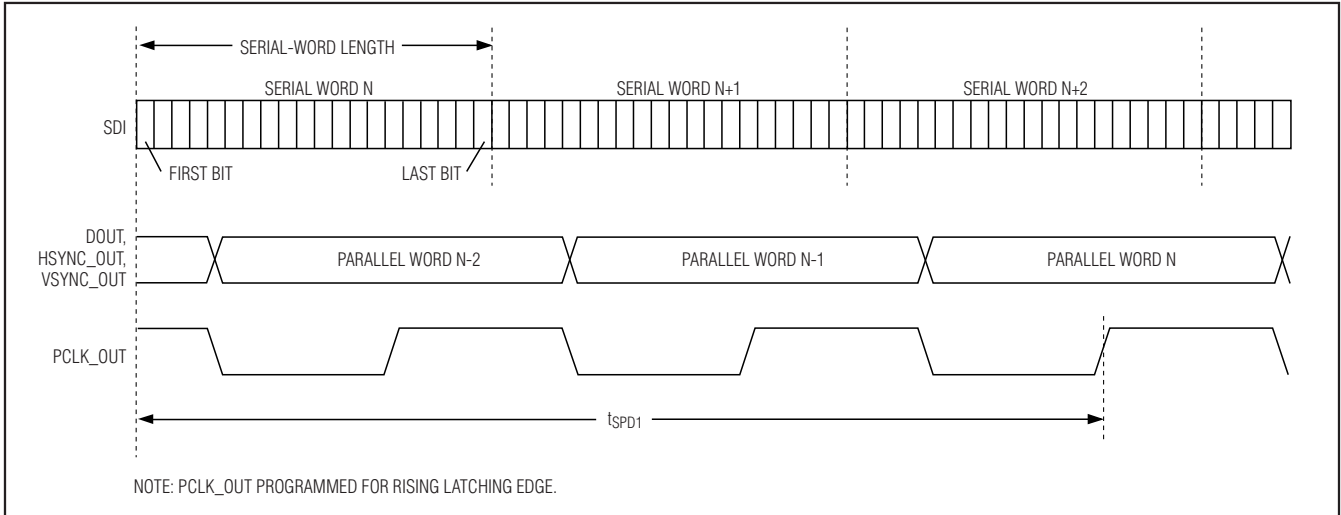


Figure 14. MAX9258 Serial-to-Parallel Delay

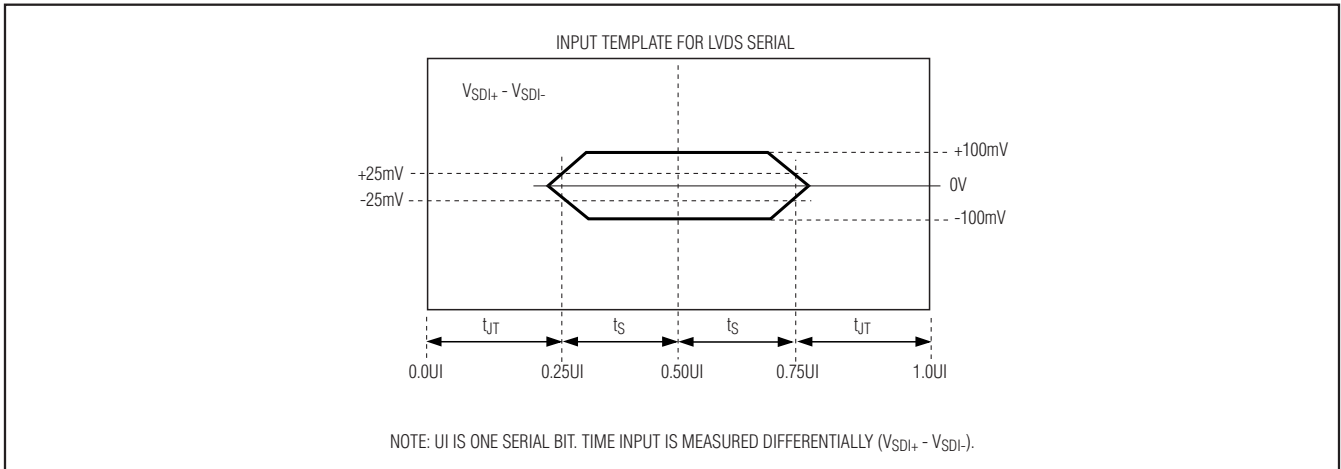


Figure 15. MAX9258 Jitter Tolerance

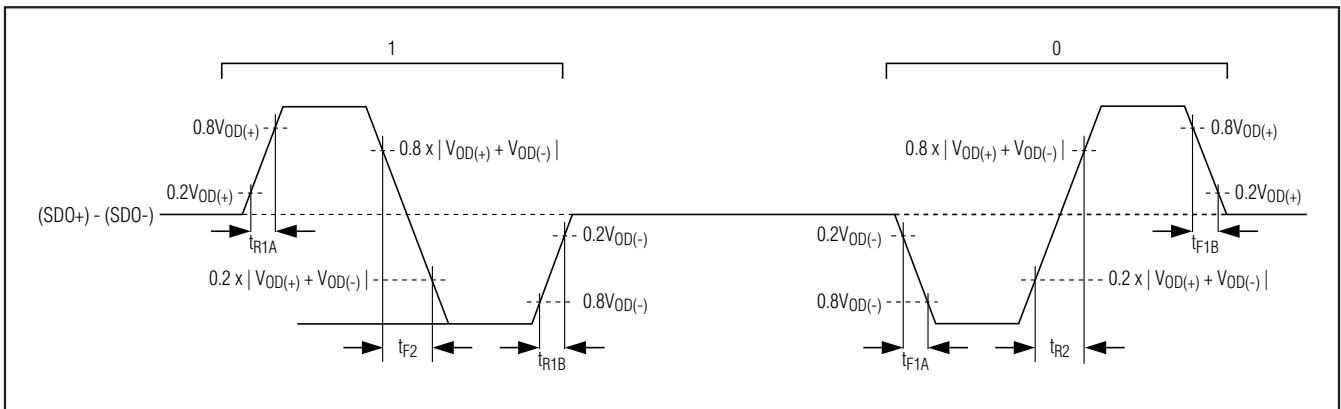


Figure 16. Control Channel Transition Time

# Fully Programmable Serializer/Deserializer with UART/I<sup>2</sup>C Control Channel

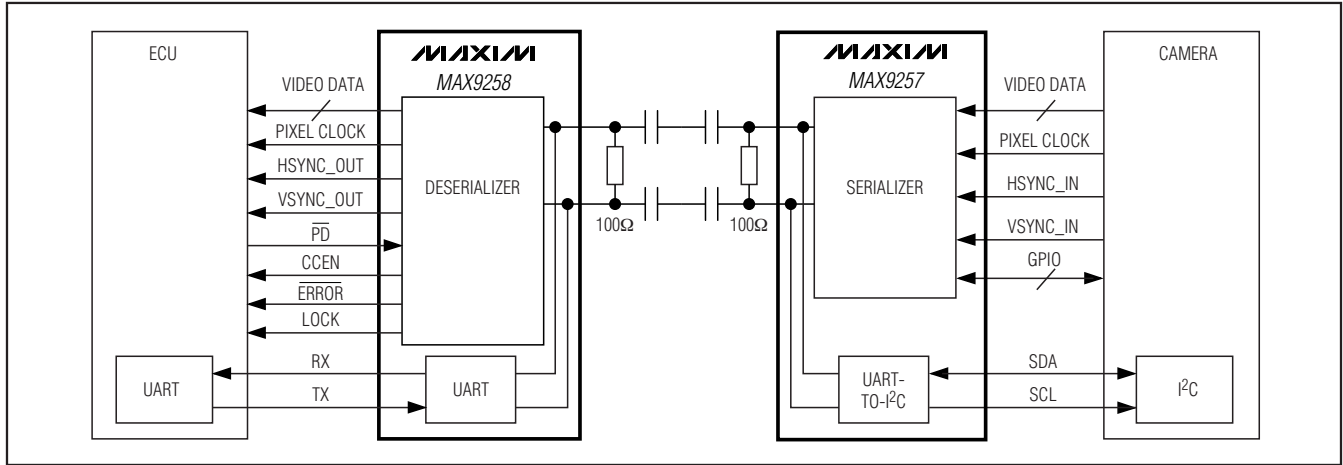


Figure 17. Serial Link with I<sup>2</sup>C Camera Programming Interface (Base Mode)

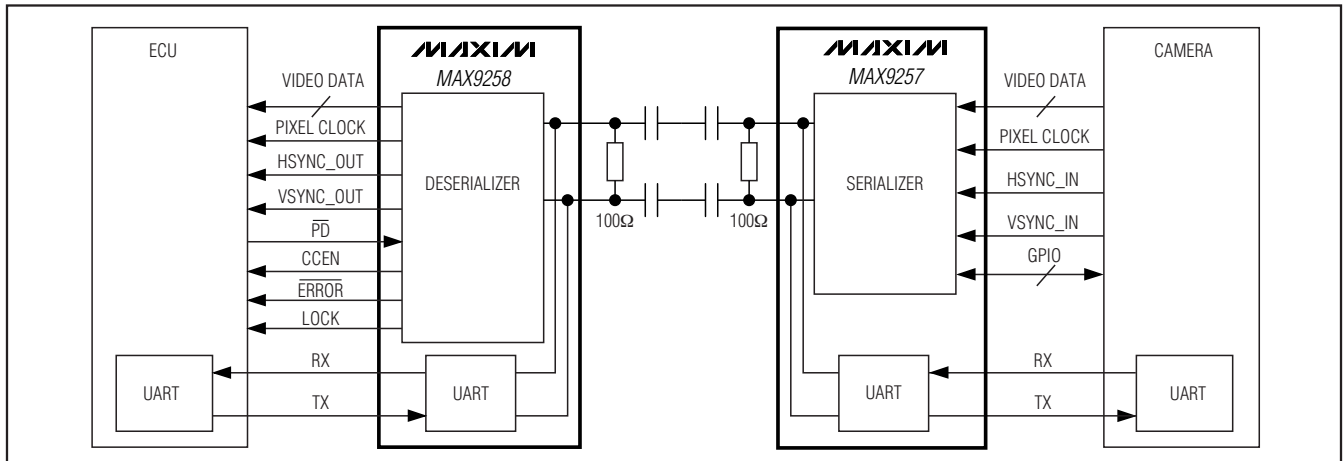


Figure 18. Serial Link with UART Camera Programming Interface (Bypass Mode)

## Detailed Description

The MAX9257 serializer pairs with the MAX9258 deserializer to form a complete digital video serial link. The electronic control unit (ECU) programs the registers in the MAX9257, MAX9258, and peripheral devices, such as a camera, during the control channel phase that occurs at startup or during the vertical blanking time. All control channel communication is half-duplex. The UART communication between the MAX9258 and the MAX9257 is encoded to allow transmission through AC-coupling capacitors. The MAX9257 communicates to the peripheral device through UART or I<sup>2</sup>C.

The MAX9257/MAX9258 DC-balanced serializer and deserializer operate from a 5MHz-to-70MHz parallel clock frequency, and are capable of serializing and

deserializing programmable 10, 12, 14, 16, and 18 bits parallel data during the video phase. The MAX9257/MAX9258 have two phases of operation: video and control channel (Figures 19 and 20). During the video phase, the MAX9257 accepts parallel video data and transmits serial encoded data over the LVDS link. The MAX9258 accepts the encoded serial LVDS data and converts it back to parallel output data. The MAX9257 has dedicated inputs for HSYNC and VSYNC. The selected VSYNC edge causes the MAX9257/MAX9258 to enter the control channel phase. Nonactive VSYNC edge can be asserted after eight pixel clock cycles.

The video data are coded using two overhead bits (EN0 and EN1) resulting in a serial-word length of N+2 bits. The MAX9257/MAX9258 feature programmable

# Fully Programmable Serializer/Deserializer with UART/I<sup>2</sup>C Control Channel

parity encoding that adds two parity bits to the serial word. Bit 0 (EN0) is the LSB that is serialized first without parity enabled. The parity bits are serialized first when parity is enabled.

The ECU programs the MAX9258, MAX9257, and peripheral devices at startup and during the control channel phase. In a digital video system, the control channel phase occurs during the vertical blanking time and synchronizes to the VSYNC signal. The programmable active edge of VSYNC initiates the control channel phase. Nonactive edge of VSYNC can transition at any time after  $8 \times t_T$  if MAX9257 spread is not enabled and  $0.5/f_{SSM}$  when enabled. At the end of video phase, the MAX9258 drives CCEN high to indicate to the ECU that

the control channel is open. Programmable timers and ECU signal activity determine how long the control channel stays open. The timers are reset by ECU signal activity. ECU programming must not exceed the vertical blanking time to avoid loss of video data.

After the control channel phase closes, the MAX9257 sends a 546 or 1090 word pattern as handshaking (HSK) to synchronize the MAX9258's internal clock recovery circuit to the MAX9257's transmitted data. Following the handshaking, the control channel is closed and the video phase begins. The serial LVDS data is recovered and parallel data is valid on the programmed edge of the recovered pixel clock.

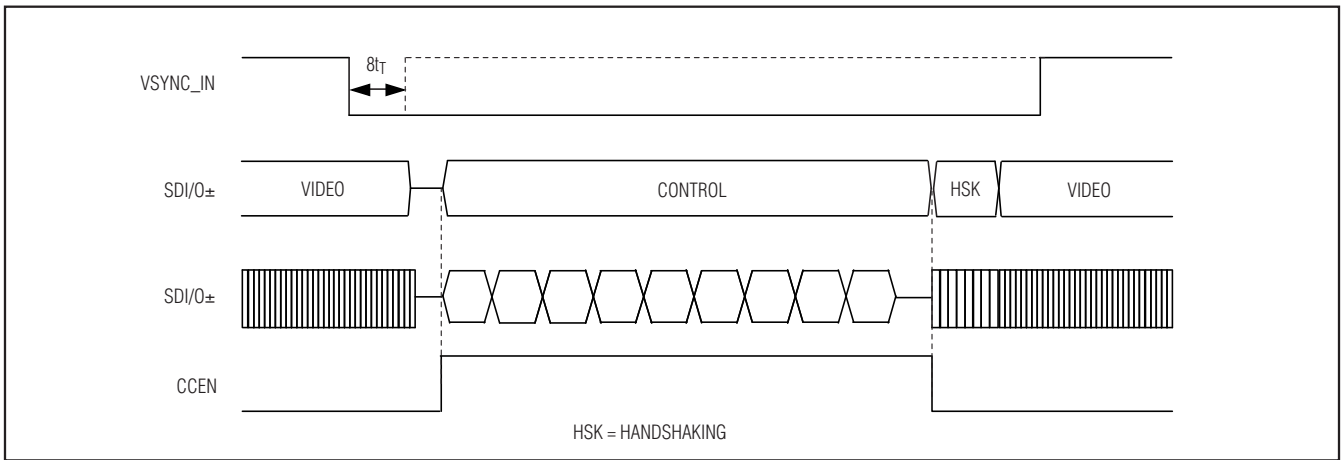


Figure 19. Video and Control Channel Phases (Spread Off)

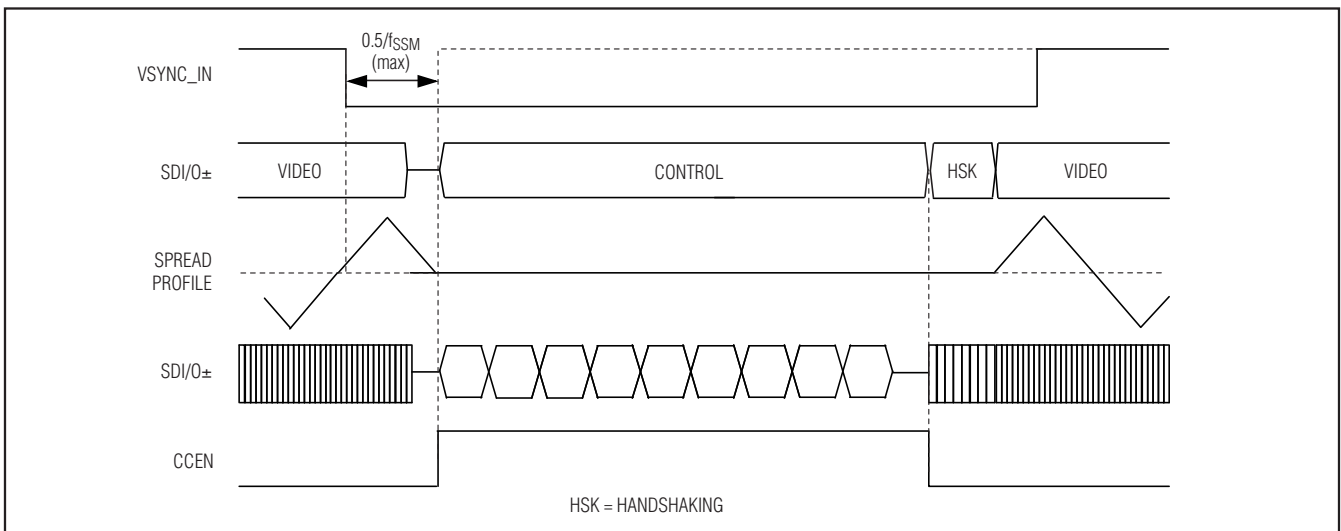


Figure 20. Video and Control Channel Phases (MAX9257 Spread is Enabled)

# Fully Programmable Serializer/Deserializer with UART/I<sup>2</sup>C Control Channel

Table 1. MAX9257 Power-Up Default Register Map (see the *MAX9257 Register Table*)

REGISTER NAME	REGISTER ADDRESS (hex)	POWER-UP VALUE (hex)	POWER-UP DEFAULT SETTINGS
REG0	0x00	0xB5	PRATE = 10, 20MHz to 40MHz SRATE = 11, 400Mbps to 840Mbps PAREN = 0, parity disabled PWIDTH = 101, parallel data width = 18
REG1	0x01	0x1F	SPREAD = 000, spread = off Reserved = 11111
REG2	0x02	0xA0	STODIV = 1010, STO clock is pixel clock divided by 1024 STOCNT = 0000, STO counter counts to 1
REG3	0x03	0xA0	ETODIV = 1010, ETO clock is pixel clock divided by 1024 ETOCNT = 0000, ETO counter counts to 1
REG4	0x04	1) REM = 0, 0x28 2) REM = 1, 0x30	VEDGE = 0, VSYNC active edge is falling Reserved = 0 CKEDGE = 1, pixel clock active edge is rising PD: 1) If REM = 0, PD = 0 2) If REM = 1, PD = 1 SEREN: 1) If REM = 0, SEREN = 1 2) If REM = 1, SEREN = 0 BYPFPLL = 0, filter PLL is active Reserved = 0 PRBSEN = 0, PRBS test disabled
REG5	0x05	0xFA	MAX9257 address = 1111 1010
REG6	0x06	0xFF	End frame = 1111 1111
REG7	0x07	0xF8	MAX9258 address = 1111 1000
REG8	0x08	0x00	INTMODE = 0, interface with peripheral is UART INTEN = 0, interface with peripheral is disabled FAST = 0, UART bit rate = DC to 4.25Mbps CTO = 000, never come back BITRATE = 00, base mode bit rate = 95kbps to 400kbps
REG9	0x09	0x00	PRBSLEN = 0000, PRBS word length = 2 <sup>21</sup> GPIO9DIR = 0, GPIO9 = input GPIO8DIR = 0, GPIO8 = input GPIO9 = 0 GPIO8 = 0
REG10	0x0A	0x00	GPIO7DIR = 0, GPIO7 = input GPIO6DIR = 0, GPIO6 = input GPIO5DIR = 0, GPIO5 = input GPIO4DIR = 0, GPIO4 = input GPIO3DIR = 0, GPIO3 = input GPIO2DIR = 0, GPIO2 = input GPIO1DIR = 0, GPIO1 = input GPIO0DIR = 0, GPIO0 = input

# Fully Programmable Serializer/Deserializer with UART/I<sup>2</sup>C Control Channel

**MAX9257/MAX9258**

**Table 1. MAX9257 Power-Up Default Register Map (continued)**

REGISTER NAME	REGISTER ADDRESS (hex)	POWER-UP VALUE (hex)	POWER-UP DEFAULT SETTINGS
REG11	0x0B	0x00	GPIO7 = 0 GPIO6 = 0 GPIO5 = 0 GPIO4 = 0 GPIO3 = 0 GPIO2 = 0 GPIO1 = 0 GPIO0 = 0
REG12	0x0C	0xE0	PREEMP = 111, preemphasis = 0% Reserved = 00000
REG13	0x0D	0x00	Reserved = 000000 I2CFILT = 00, I <sup>2</sup> C glitch filter settings: 1) 95kbps to 400kbps = 100ns 2) 400kbps to 1000kbps = 50ns 3) 1000kbps to 4250kbps = 10ns
REG14	0x0E	0x00	Reserved = 0000 000 LOCKED = read only

**Table 2. MAX9258 Power-Up Default Register Map (see the MAX9258 Register Table)**

REGISTER NAME	REGISTER ADDRESS (hex)	POWER-UP VALUE (hex)	POWER-UP DEFAULT SETTINGS
REG0	0x00	0xB5	PRATE = 10, 20MHz to 40MHz SRATE = 11, 400Mbps to 840Mbps PAREN = 0, parity disabled PWIDTH = 101, parallel data width = 18
REG1	0x01	0x00	SPREAD = 00, spread spectrum = off AER = 0, error count is reset by reading error registers Reserved = 0 0000
REG2	0x02	0xA0	STODIV = 1010, STO clock is pixel clock divided by 1024 STOCNT = 0000, STO counter counts to 1
REG3	0x03	0xA0	ETODIV = 1010, ETO clock is pixel clock divided by 1024 ETOCNT = 0000, ETO counter counts to 1
REG4	0x04	0x20	VEDGE = 0, VSYNC active edge is falling HEDGE = 0, HSYNC active edge is falling CKEDGE = 1, pixel clock active edge is rising Reserved = 0000 PRBSEN = 0, PRBS test disabled
REG5	0x05	0xF8	MAX9258 address = 1111 1000
REG6	0x06	0xFF	End frame = 1111 1111
REG7	0x07	0x00	INTMODE = 0, interface with peripheral is UART INTEN = 0, interface with peripheral is disabled FAST = 0, UART bit rate = DC to 4.25Mbps CTO = 000, never come back BITRATE = 00, base mode bit rate = 95kbps to 400kbps

# Fully Programmable Serializer/Deserializer with UART/I<sup>2</sup>C Control Channel

Table 2. MAX9258 Power-Up Default Register Map (continued)

REGISTER NAME	REGISTER ADDRESS (hex)	POWER-UP VALUE (hex)	POWER-UP DEFAULT SETTINGS
REG8	0x08	0x10	PATHRLO = 0001 0000 parity threshold = 16
REG9	0x09	0x00	PATHRHI = 0000 0000, parity threshold = 16
REG10	0x0A	0x00	Parity errors video (8 LSBs) = read only
REG11	0x0B	0x00	Parity errors video (8 MSBs) = read only
REG12	0x0C	0x00	PRBS bit errors = read only
REG13	0x0D	0x00	Reserved = 000 Parity error, communication with MAX9258 = read only Frame error, communication with MAX9258 = read only Parity error, communication with MAX9257 = read only Frame error, communication with MAX9257 = read only I <sup>2</sup> C error, communication with peripheral = read only

Tables 1 and 2 show the default power-up values for the MAX9257/MAX9258 registers. Tables 3 and 4 show the input and output supply references.

### Parallel-Word Width

The parallel-word width is made up of the video data bits, HSYNC, and VSYNC. The video data bits are programmable from 8 to 16 depending on the pixel clock, serial-data rate, and parity. Table 16 shows the parallel-word width.

### Serial-Word Length

The serial-word length is made up of the parallel-word width, encoding bits, and parity bits. Tables 5–9 show the serial video format and serial-word lengths without parity. Tables 10–13 show with parity bits included.

### LVDS Serial Data

Serial LVDS data is transmitted least significant bit (LSB) to most significant bit (MSB) as shown in Tables 5 through 13. The ECU at startup can program the parallel

Table 3. MAX9257 I/O Supply

INPUTS/OUTPUTS	SUPPLY
PCLK_IN, HSYNC_IN, VSYNC_IN, DIN[0:7], DIN[8:15]/GPIO[0:7], GPIO8, GPIO9	V <sub>CCIO</sub>
SDO+, SDO-	V <sub>CCLVDS</sub>
SCL/TX, SDA/RX, REM	V <sub>CC</sub>

Table 4. MAX9258 I/O Supply

INPUTS/OUTPUTS	SUPPLY
All inputs and outputs	V <sub>CCOUT</sub>
SDI+, SDI-	V <sub>CCLVDS</sub>

word width, serial frequency range, parity, spread-spectrum, and pixel clock frequency range (see the *MAX9257 Register Table* and the *MAX9258 Register Table*).

# Fully Programmable Serializer/Deserializer with UART/I<sup>2</sup>C Control Channel

**Table 5. Serial Video Data Format for 20-Bit Serial-Word Length (Parallel-Word Width = 18)**

BIT	1	2	3	4	5	6	7	8	9	10	11	12	13	14	15	16	17	18	19	20
NAME	EN0	EN1	HSYNC	VSYNC	D0	D1	D2	D3	D4	D5	D6	D7	D8	D9	D10	D11	D12	D13	D14	D15

**Table 6. Serial Video Data Format for 18-Bit Serial-Word Length (Parallel-Word Width = 16)**

BIT	1	2	3	4	5	6	7	8	9	10	11	12	13	14	15	16	17	18
NAME	EN0	EN1	HSYNC	VSYNC	D0	D1	D2	D3	D4	D5	D6	D7	D8	D9	D10	D11	D12	D13

**Table 7. Serial Video Data Format for 16-Bit Serial-Word Length (Parallel-Word Width = 14)**

BIT	1	2	3	4	5	6	7	8	9	10	11	12	13	14	15	16
NAME	EN0	EN1	HSYNC	VSYNC	D0	D1	D2	D3	D4	D5	D6	D7	D8	D9	D10	D11

**Table 8. Serial Video Data Format for 14-Bit Serial-Word Length (Parallel-Word Width = 12)**

BIT	1	2	3	4	5	6	7	8	9	10	11	12	13	14
NAME	EN0	EN1	HSYNC	VSYNC	D0	D1	D2	D3	D4	D5	D6	D7	D8	D9

**Table 9. Serial Video Data Format for 12-Bit Serial-Word Length (Parallel-Word Width = 10)**

BIT	1	2	3	4	5	6	7	8	9	10	11	12
NAME	EN0	EN1	HSYNC	VSYNC	D0	D1	D2	D3	D4	D5	D6	D7

**Table 10. Format for 20-Bit Serial-Word Length with Parity (Parallel-Word Width = 16)**

BIT	1	2	3	4	5	6	7	8	9	10	11	12	13	14	15	16	17	18	19	20
NAME	PR	PRB	EN0	EN1	HSYNC	VSYNC	D0	D1	D2	D3	D4	D5	D6	D7	D8	D9	D10	D11	D12	D13

**Table 11. Format for 18-Bit Serial-Word Length with Parity (Parallel-Word Width = 14)**

BIT	1	2	3	4	5	6	7	8	9	10	11	12	13	14	15	16	17	18
NAME	PR	PRB	EN0	EN1	HSYNC	VSYNC	D0	D1	D2	D3	D4	D5	D6	D7	D8	D9	D10	D11

**Table 12. Format for 16-Bit Serial-Word Length with Parity (Parallel-Word Width = 12)**

BIT	1	2	3	4	5	6	7	8	9	10	11	12	13	14	15	16
NAME	PR	PRB	EN0	EN1	HSYNC	VSYNC	D0	D1	D2	D3	D4	D5	D6	D7	D8	D9

**Table 13. Format for 14-Bit Serial-Word Length with Parity (Parallel-Word Width = 10)**

BIT	1	2	3	4	5	6	7	8	9	10	11	12	13	14
NAME	PR	PRB	EN0	EN1	HSYNC	VSYNC	D0	D1	D2	D3	D4	D5	D6	D7

# Fully Programmable Serializer/Deserializer with UART/I<sup>2</sup>C Control Channel

## Pixel Clock Frequency Range

The MAX9257/MAX9258 each have registers that can be configured at startup. Depending on the word length, the MAX9257 multiplies PCLK\_IN (pixel clock) by 12, 14, 16, 18, or 20 using an internal PLL to generate the serial clock. Use Table 20 for proper selection of available PCLK frequency and serial-data ranges. Parallel data is serialized using the serial-clock and serialized bits are transmitted at the MAX9257 LVDS outputs. The MAX9257/MAX9258 support a wide range for PCLK\_IN (Table 14). If the pixel clock frequency needs to change to a frequency outside the programmed range, the ECU must program both the MAX9257 and the MAX9258 in the same control channel session.

## Serial-Data Rate Range

The word length and pixel clock is limited by the maximum serial-data rate of 840Mbps. The following formula shows the relation between word length, pixel clock, and serial clock:

$$\text{Serial-word length} \times \text{pixel clock} = \text{serial-data rate} \leq 840\text{Mbps}$$

For example, if PCLK\_IN is 70MHz, the serial-word length has to be 12 bits including DC balance bits if parity is not enabled to keep the serial-data rate under 840Mbps. If the serial-word length is 20 bits, the maximum PCLK\_IN frequency is 42MHz. The serial-data rate can vary from 60Mbps to 840Mbps and can be programmed at power-up (Table 15). Use Table 20 for proper selection of available PCLK frequency and serial data ranges. Operating in the incorrect range for either the serial-data rate or PCLK\_IN can result in excessive current dissipation and failure of the MAX9258 to lock to the MAX9257.

## LVDS Common-Mode Bias

The output common-mode bias is 1.2V at the LVDS inputs on the MAX9258 and LVDS outputs on the MAX9257. No external resistors are required to provide bias for AC-coupling the LVDS inputs and outputs.

## LVDS Termination

Terminate the LVDS link at both ends with the characteristic impedance of the transmission line (typically 100Ω differential). The LVDS inputs and outputs are high impedance to GND and differentially.

## Spread-Spectrum Selection

The MAX9257/MAX9258 each have spread-spectrum options. Both should not be turned on at the same time. When the MAX9257 is programmed for spread spectrum,

**Table 14. MAX9257 Pixel Clock Range (PCLK\_IN)**

FREQUENCY (MHz)	PRATE (REG0[7:6])
5–10	00
10–20	01
20–40	10
40–70	11

**Table 15. Serial-Data Rate Range**

SERIAL-DATA RATE (Mbps)	SRATE (REG0[5:4])
60–100	00
100–200	01
200–400	10
400–840	11

**Table 16. Parallel-Word Width**

PARALLEL-WORD WIDTH	PWIDTH (REG0[2:0])
10	000
12	001
14	010
16	011
18	1XX

the MAX9258 tracks and passes the spread to its clock and data outputs. The MAX9257/MAX9258 are both center spread (Figure 21). The control channel does not use spread spectrum, but has slower transition times.

## MAX9258 Spread Spectrum

The MAX9258 features a programmable spread-spectrum clock and data outputs for reduced EMI. The single-ended data outputs are programmable for no spread, ±2%, or ±4% (see the *Typical Operating Characteristics*) around the recovered pixel clock frequency. The output spread is programmed in register REG1[7:6]. Table 17 shows the spread options, and Table 18 shows the various modulation rates.

## MAX9257 Spread Spectrum

The MAX9257 features programmable spread spectrum for the LVDS outputs. Table 19 shows various spread options, and Table 20 shows the various modulation rates. Only one device (the MAX9257 or the MAX9258) should be programmed for spread spectrum at a time. If the MAX9257 is programmed for spread, the MAX9258

# Fully Programmable Serializer/Deserializer with UART/I<sup>2</sup>C Control Channel

MAX9257/MAX9258

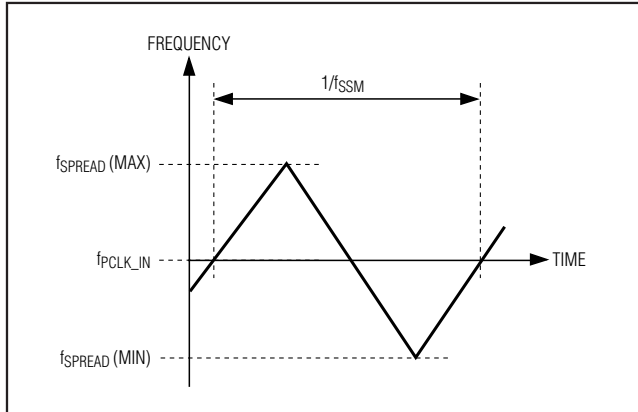


Figure 21. Simplified Modulation Profile for the MAX9257/MAX9258

tracks and passes the spread to the data and clock outputs. The PRATE range of 00 and 01 ( $5\text{MHz} \leq \text{PCLK} \leq 20\text{MHz}$ ) supports all the spread options. The PRATE range of 10 and 11 ( $20\text{MHz} \leq \text{PCLK} \leq 70\text{MHz}$ ) requires that the spread be 2% or less.

### Pixel Clock Jitter Filter

The MAX9257 has a PLL to filter high-frequency pixel clock jitter on PCLK\_IN. The FPLL can be bypassed by writing 1 to REG4[2]. The FPLL improves the MAX9258's data recovery by filtering out the high-frequency components from the pixel clock that the MAX9258 cannot track. The 3dB bandwidth of the FPLL is 100kHz (typ).

### LVDS Output Preemphasis (SDO±)

The MAX9257 features programmable preemphasis where extra current is added when the LVDS outputs transition on the serial link. Preemphasis provides additional current to the normal drive current. For example, 20% preemphasis provides 20% greater current than the normal drive current. Current is boosted only on the transitions and returns to the normal drive current after switching. Select the preemphasis level to optimize the eye diagram. Preemphasis boosts the high-frequency content of the LVDS outputs to enable driving greater cable lengths. The amount of preemphasis is programmed in REG12[7:5] (Table 21).

### VSYNC, HSYNC, and Pixel Clock Polarity

**PCLK:** The MAX9257 is programmable to latch data on either rising or falling edge of PCLK. The polarity of PCLKOUT at the MAX9258 can be independent of the MAX9257 PCLK active edge. The polarity of PCLK can be programmed using REG4[5] of the MAX9257 and the MAX9258.

Table 17. MAX9258 Spread

PRATE (REG1[7:6])	SPREAD (%)
00	Off
01	±2
10	Off
11	±4

Table 18. MAX9258 Modulation Rate

PRATE (REG1[7:6])	MODULATION RATE	f <sub>SSM</sub> RANGE (kHz)
00	PCLK/312	16 to 32
01	PCLK/520	19.2 to 38.5
10	PCLK/1040	19.2 to 38.5
11	PCLK/1248	32 to 56

Table 19. MAX9257 LVDS Output Spread

REG1[7:5]	SPREAD (%)
000	Off
001	±1.5
010	±1.75
011	±2
100	Off
101	±3
110	±3.5
111	±4

**VSYNC:** The MAX9257 and the MAX9258 enter control channel on the falling edge of VSYNC. The default register settings are VSYNC active falling edge for both the MAX9257 and the MAX9258. If the VSYNC active edge is programmed for rising edge at the MAX9257, the MAX9258 VSYNC active edge must also be programmed for rising edge to reproduce VSYNC rising edge at the MAX9258 output. However, matching the polarity of the VSYNC active edge between the MAX9257 and the MAX9258 is not a requirement for proper operation.

**HSYNC:** HSYNC active-edge polarity is programmable for the MAX9258.

### General Purpose I/Os (GPIOs)

The MAX9257 has up to 10 GPIOs available. GPIO8 and GPIO9 are always available while GPIO[0:7] are available depending on the parallel-word width (Table 22). If GPIOs are not available, the corresponding GPIO bits are not used.

# Fully Programmable Serializer/Deserializer with UART/I<sup>2</sup>C Control Channel

Table 20. MAX9257 Modulation Rate

SERIAL-WORD LENGTH	SRATE	PRATE	PCLK RANGE (MHz)	MODULATION RATE	f <sub>SSM</sub> RANGE (kHz)
12	11	11	40–70	PCLK/2728	14.7 to 25.7
	11	10	33.3–40	PCLK/1736	19.2 to 23.0
	10	10	20–33.3	PCLK/1612	12.4 to 20.7
	10	01	16.6–20	PCLK/992	16.7 to 20.2
	01	01	10–16.6	PCLK/1116	9.0 to 14.9
	01	00	8.3–10	PCLK/744	11.2 to 13.4
	00	00	5–8.3	PCLK/868	5.8 to 9.6
14	11	11	40–60	PCLK/2304	17.4 to 26.0
	11	10	28.6–40	PCLK/1728	16.6 to 23.1
	10	10	20–28.6	PCLK/1440	13.9 to 19.9
	10	01	14.3–20	PCLK/1008	14.2 to 19.8
	01	01	10–14.3	PCLK/1008	9.9 to 14.2
	01	00	7.1–10	PCLK/720	9.9 to 13.9
	00	00	5–7.1	PCLK/720	6.9 to 9.9
16	11	11	40–52.5	PCLK/1968	20.3 to 26.7
	11	10	25–40	PCLK/1640	15.2 to 24.4
	10	10	20–25	PCLK/1312	15.2 to 19.1
	10	01	12.5–20	PCLK/984	12.7 to 20.3
	01	01	10–12.5	PCLK/820	12.2 to 15.2
	01	00	6.25–10	PCLK/656	9.5 to 15.2
	00	00	5–6.25	PCLK/656	7.6 to 9.5
18	11	11	40–46.6	PCLK/1840	21.7 to 25.3
	11	10	22.2–40	PCLK/1472	15.1 to 27.2
	10	10	20–22.2	PCLK/1104	18.1 to 20.1
	10	01	11.1–20	PCLK/920	12.1 to 21.7
	01	01	10–11.1	PCLK/736	13.6 to 15.1
	01	00	5.6–10	PCLK/736	7.6 to 13.6
	00	00	5–5.6	PCLK/552	9.1 to 10.1
20	11	11	40–42	PCLK/1632	24.5 to 25.7
	11	10	20–40	PCLK/1632	12.3 to 24.5
	10	01	10–20	PCLK/1020	9.8 to 19.6
	01	00	5–10	PCLK/816	6.1 to 12.3

A GPIO can be programmed to drive an LVCMOS logic level or to read a logic input. The register bit that sets the output level when the GPIO is programmed as an output stores the input level when the GPIO is programmed as an input.

### Open-Drain Outputs (**LOCK**, **ERROR**)

LOCK and ERROR are open-drain outputs that require a pullup resistor to an external supply. ERROR asserts

low when an error occurs and LOCK is high impedance when the MAX9258 is locked to the MAX9257 and remains high under the locked condition. When the devices are in shutdown, the channel is not locked and LOCK goes high impedance, is pulled high, and should be ignored. ERROR is high impedance at shutdown and remains high. In choosing pullup resistors, there is a tradeoff between power dissipation and speed; 10k $\Omega$  pullup should be sufficient.

# Fully Programmable Serializer/Deserializer with UART/I<sup>2</sup>C Control Channel

MAX9257/MAX9258

**Table 21. Preemphasis**

REG12[7:5]	PREEMPHASIS (%)
000,101,110	20
001	40
010	60
011	80
100	100
111	0

**Table 22. GPIOs vs. Parallel-Word Width**

PARALLEL-WORD WIDTH (N)	GPIOs AVAILABLE
18	GPIO[8:9]
16	GPIO[6:9]
14	GPIO[4:9]
12	GPIO[2:9]
10	GPIO[0:9]

The LOCK and  $\overline{\text{ERROR}}$  outputs can be wired in an AND configuration if you have multiple serializers and deserializers, or a single serializer fanned out to multiple deserializers through a repeater. For such situations, wire the multiple LOCK outputs together and use a single pullup resistor to pull up all the lines high. LOCK is high if all the devices are locked. Do the same thing for ERROR; ERROR is low if any MAX9258 reports errors.

### Base Mode and Bypass Mode (Basics)

In the control channel phase, there are two modes: base and bypass. In base mode, ECU always communicates using the MAX9257/MAX9258 UART protocol and communication with a peripheral device is performed in I<sup>2</sup>C by the MAX9257. Packets not addressed to the MAX9257 or the MAX9258 get converted to I<sup>2</sup>C and passed to the peripheral device. Similarly, I<sup>2</sup>C packets from the peripheral device get converted to UART packets in the reverse direction. ECU can disable communication to the peripheral device by writing a 0 to INTEN (REG8[6] in the MAX9257 and REG7[6] in the MAX9258). Base mode is the default mode. Bypass mode is entered by writing a 0 to INTMODE and 1 to INTEN (Table 23). Bypass mode is exited if there is no activity from ECU in the control channel for the duration of CTO. When CTO times out, INTEN reverts back to 0 and MAX9257/MAX9258 revert back to base mode. To permanently stay in bypass mode, ECU can lock the CTO timer or program CTO to be longer than ETO and STO.

**Table 23. Selection of Base Mode or Bypass Mode**

INTEN MAX9257 REG8[6], MAX9258 REG7[6]	INTMODE MAX9257 REG8[7], MAX9258 REG7[7]	MODE
0	X	Base mode, communication with peripheral is not enabled
1	1	Base mode, communication with peripheral is enabled (I <sup>2</sup> C)
1	0	Bypass mode, communication with MAX9257/MAX9258 is not enabled, communication with peripheral is enabled (UART)

**Table 24. STO Clock Divide Ratio**

REG2[7:4]	STODIV
00XX	16
0100	16
0101	32
0110	64
0111	128
1000	256
1001	512
1010	1024
1011	2048
1100	4096
1101	8192
1110	16,384
1111	32,768

### Timers

The MAX9257/MAX9258 feature three different timers. The start timeout (STO) and end timeout (ETO) control the duration of the control channel. The come-back timeout (CTO) controls the duration of bypass mode.

### STO Timer

The STO (start timeout) timer closes the control channel if the ECU does not start using the control channel within the STO timeout period. The STO timer is configured by

# Fully Programmable Serializer/Deserializer with UART/I<sup>2</sup>C Control Channel

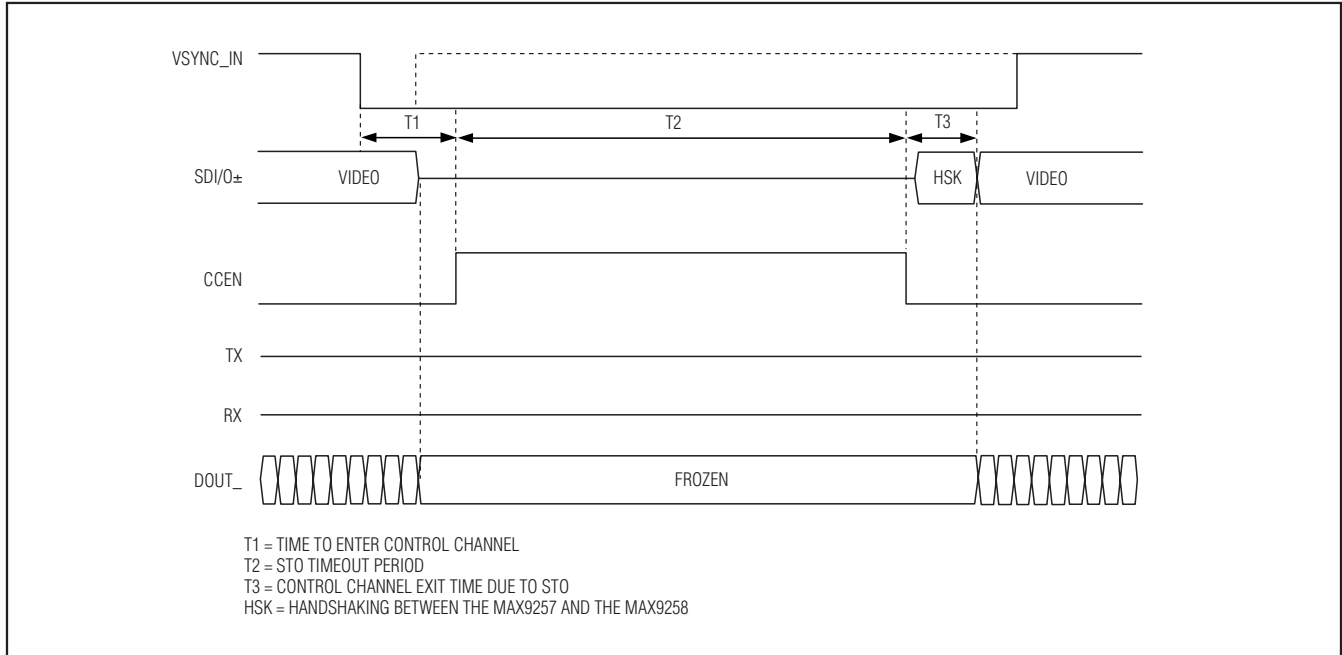


Figure 22. Control Channel Closing Due to STO Timeout

register REG2 for both the MAX9257 and the MAX9258. The four bits of REG2[7:4] select the divide ratio (STODIV) for the STO clock as a function of the pixel clock (Table 24). The timeout period is determined by counter bits REG2[3:0] that increment once every STO clock period. Write to REG2[3:0] to determine the counter end time. The STO counter counts to the programmed STOCNT + 1. The ECU must begin communicating before STO times out, otherwise, the control channel closes (Figure 22). The STO timeout period is given by:

$$t_{STO} = \left( \frac{1}{f_{CLK}} \right) \times STODIV \times (STOCNT + 1)$$

For example:

If the pixel clock frequency is set to 16MHz, STODIV is set to 1010 (STODIV = 1024), and STOCNT is set to 1001 (STOCNT = 9), the STO timer counts with 15.625kHz STO clock (16MHz/1024) internally until it reaches 10 and timer expires. The  $t_{STO}$  is equal to  $t_T \times 1024 \times 10 = 640\mu s$ .

The default value for STODIV is 1024 while the default value for STOCNT is 0. That means the STO timeout period is equal 1024 pixel clock cycles. Activity from the ECU on the control channel shuts off the STO timer and starts the ETO timer.

Table 25. ETO Clock Divide Ratio

REG3[7:4]	ETODIV
00XX	16
0100	16
0101	32
0110	64
0111	128
1000	256
1001	512
1010	1024
1011	2048
1100	4096
1101	8192
1110	16,384
1111	32,768

### ETO Timer

The ETO (end timeout) timer closes the control channel if the ECU stops communicating for the ETO timeout period. Configure register REG3[7:4] for both the MAX9257 and the MAX9258 to select the divide ratio (ETODIV) for the ETO clock as a function of the pixel clock (Table 25). The timeout period is determined by

# Fully Programmable Serializer/Deserializer with UART/I<sup>2</sup>C Control Channel

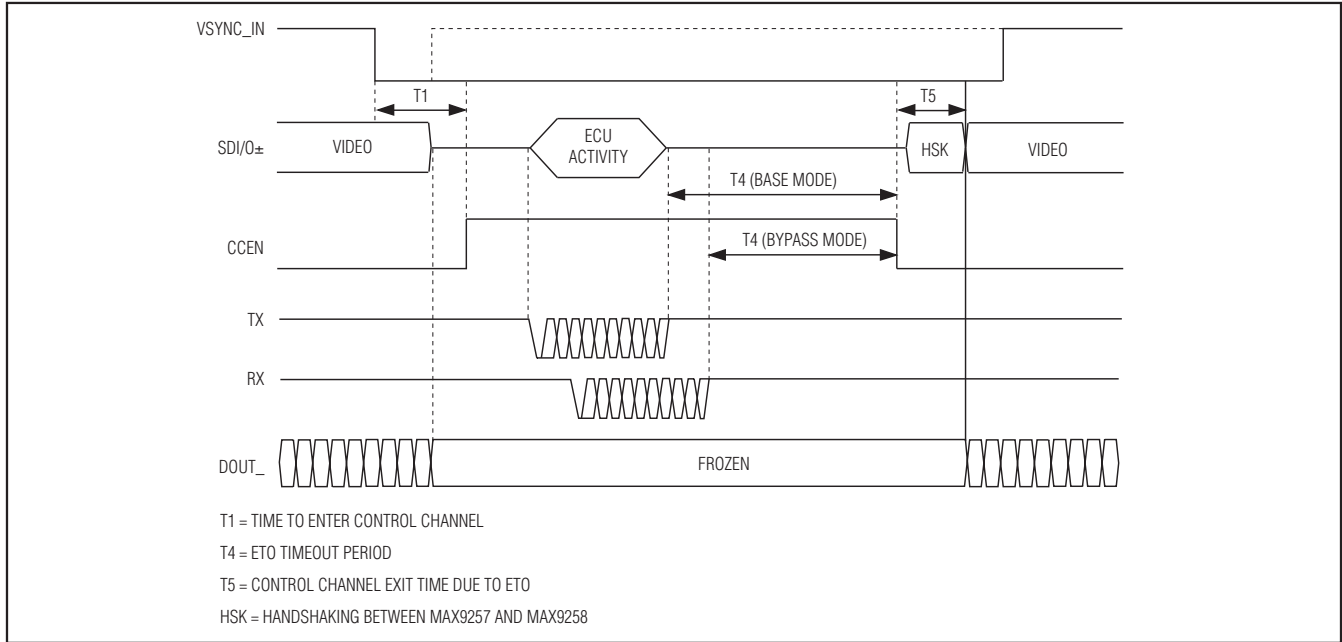


Figure 23. Control Channel Closing Due to ETO Timeout

counter bits REG3[3:0] that increment once every ETO clock period. Write to REG3[3:0] to determine the counter end time. The ETO counter counts to the programmed ETOCNT + 1. Any ECU activity resets the ETO timer. When the ECU stops transmitting data for the ETO timeout period, the control channel closes (Figure 23).

$$t_{ETO} = \left( \frac{1}{f_{CLK}} \right) \times ETODIV \times (ETOCNT + 1)$$

For example:

If the pixel clock frequency is set to 16MHz, ETODIV is set to 1010 (ETODIV = 1024), and ETOCNT is set to 1001 (ETOCNT = 9), the ETO timer counts with the 15.625kHz ETO clock (16MHz/1024) internally until it reaches 10 and timer expires. The  $t_{ETO}$  is equal to  $t_T \times 1024 \times 10 = 640\mu s$ .

The default value for ETODIV is 1024 while the default value for ETOCNT is 0. That means the ETO timeout period is equal to 1,024 pixel clock cycles.

### Closing the Control Channel

After the MAX9257 detects the active VSYNC edge, it sends three synchronization words. Once the MAX9258 sees the active VSYNC transition and detects three synchronization words, it enters the control channel phase and CCEN goes high. There is a brief delay of T1

between the VSYNC transition and CCEN transitioning high. The ECU is allowed to communicate when CCEN is high.

If the ECU does not communicate while CCEN is high (Figure 22), the link remains silent and STO starts counting towards its preset timeout counter value. If STO times out (T2), CCEN transitions low and the control channel closes.

If the ECU communicates while CCEN is high and before STO expires (Figure 23), the STO timer is turned off and ETO timer is enabled. The ETO counter (ETOCNT+1) is reset to 0 whenever activity from ECU (base mode) or ECU and Camera (bypass mode) is detected. As long as there is activity from ECU (base mode) or ECU and Camera (bypass mode) on the link, the channel does not close and the ETO counter resets. After the ECU (base mode) or ECU and Camera (bypass mode) ceases link activity, ETO times out (T4), CCEN transitions low, and the control channel closes.

Another way to close the control channel in base mode is for the ECU to send an end frame (EF) to close the control channel without waiting for ETO to time out. Whenever EF is received by both the MAX9257/MAX9258, control channel closes immediately and CCEN goes low. A synchronization frame must precede EF. End frame cannot be used in bypass mode. The control channel must close by EF to report errors back to the ECU.

# Fully Programmable Serializer/Deserializer with UART/I<sup>2</sup>C Control Channel

After the control channel closes, there is a brief handshake period (T3 in Figure 22 and T5 in Figure 23) between the MAX9257 and the MAX9258. The MAX9258 sends a special lock frame to the MAX9257 to indicate if PLL is still locked. The MAX9258 sends the lock frame if the number of decoding errors didn't exceed a threshold in the last LVDS video phase session. The MAX9258 features a proprietary VCO lock that prevents frequency drift while in the control channel for extended periods of time. If MAX9257 receives the lock frame, it understands that the MAX9258 is in a locked state and sends a short training sequence. If the lock frame is not received by the MAX9257, it assumes that the MAX9258 is not locked and sends a long training sequence. After the short or long training sequence is complete, the MAX9257 sends three special synchronization words before entering the video phase. Training sequence is used to resynchronize the MAX9257/MAX9258 before the video phase starts.

The MAX9257/MAX9258 control channel duration is independent of VSYNC. The control channel does not close when VSYNC deasserts, which allows the use of a VSYNC interrupt signal on VSYNC\_IN. The control channel must be closed by STO, ETO, or EF. If the control channel does not close before video data becomes available, video data can be lost.

## STO/ETO Timer Programming

STO and ETO can be programmed given the values of T2, T4, and maximum values of T1, T3, and T5 (Figures 22, 23):

$$t_T = \text{pixel clock period}, t_{UCLK} = \text{UART period}$$

When spread spectrum is not enabled in MAX9257:

$$\max(T1) = 2.5\mu\text{s} + (3 \times t_T) + (4 \times t_{UCLK})$$

When spread spectrum is enabled in MAX9257:

$$\max(T1) = 2.5\mu\text{s} + (1400 \times t_T) + (4 \times t_{UCLK})$$

$$T2 = t_{STO}$$

$$T4 = t_{ETO}$$

When pixel clock frequency range (PRATE) is 00 or 01:

$$\max(T3) = \left( \left( \frac{t_{STO}}{8} \right) + 546 \right) \times t_T + (20 \times t_{UCLK})$$

$$\max(T5) = \left( \left( \frac{t_{ETO}}{8} \right) + 546 \right) \times t_T + (20 \times t_{UCLK})$$

Table 26. CTO Counter Timeout Period

MAX9257 REG2[7:4] MAX9258 REG3[7:4]	COUNTER USING UART BIT TIMES
000	Never come back (lockout)
001	16
010	32
011	48
100	64
101	80
110	96
111	112

When pixel clock frequency range (PRATE) is 10 or 11:

$$\max(T3) = \left( \left( \frac{t_{STO}}{8} \right) + 1090 \right) \times t_T + (20 \times t_{UCLK})$$

$$\max(T5) = \left( \left( \frac{t_{ETO}}{8} \right) + 1090 \right) \times t_T + (20 \times t_{UCLK})$$

## CTO Timer

The CTO (come-back timeout) timer temporarily or permanently blocks programming to the MAX9257/MAX9258 registers. CTO keeps the MAX9257/MAX9258 in bypass mode for the CTO timeout period (Table 26). Bypass mode can only be exited when the CTO timer expires. The CTO timer uses the UART bit times for its counter. Note that STO and ETO timers use the pixel clock while CTO uses the UART bit times. The UART period  $t_{UCLK}$  synchronizes with the UART bit times, which synchronize every time the SYNC frame is sent.

When the CTO timer times out, INTEN bit in both devices is set to 0 and the MAX9257/MAX9258 revert back to base mode. If communication with the MAX9257/MAX9258 is not needed after initial programming is complete, CTO may be set to 000 (never come back). In this case, CTO never expires and the MAX9257/MAX9258 stay in bypass mode until they are powered down. This prevents accidental programming of the MAX9257/MAX9258 while ECU communicates with the peripheral using a different UART protocol from the MAX9257/MAX9258 UART protocol.

The overall CTO timeout is calculated as follows:

$$t_{CTO} = t_{UCLK} \times \text{CTO}$$

# Fully Programmable Serializer/Deserializer with UART/I<sup>2</sup>C Control Channel

Assuming a UART bit rate of 2Mbps, REG2[7:4], REG3[7:4] = 100 (Table 26), CTO = 64, CTO timeout calculated as:

$$t_{CTO} = (0.5\mu s) \times 64 = 32\mu s$$

## Link Power-Up

The MAX9258 powers up when the power-down input  $\overline{PD}$  goes high. After approximately 130 $\mu$ s, CCEN goes high, indicating the control channel is available. This delay is required because the analog circuitry has to fully wake up. There are two ways to power up the MAX9257. The MAX9257 powers up according to the state of REM. ECU powers up MAX9257 remotely (ECU sends command to power up) when REM is pulled to VCC. The MAX9257 powers up according to the supply voltage when REM is grounded.

### Powering the MAX9257 with Serialization Enabled (REM = Ground at Power-Up)

When REM is grounded, the MAX9257 fully powers up when power is applied. The power-down bit PD (REG4[4]) is disabled and serialization bit SEREN (REG4[3]) is enabled. If PCLK\_IN is not running, the MAX9257 stays in the control channel. After PCLK\_IN is applied, the control channel times out due to STO, ETO, or EF. The MAX9257 starts the handshaking after the MAX9257 locks to PCLK after 32,768 clock cycles. If PCLK\_IN is running, serialization starts automatically after PLL of the MAX9257 locks to PCLK\_IN with default values in the registers.

### Remote Power-Up of the MAX9257 (REM = Pulled Up to VCC)

When REM is pulled up to VCC, the MAX9257 wakes up in a low power state, drawing less than 100 $\mu$ A supply current. To wake-up the MAX9257, the ECU first transmits a dummy frame 0xDB and then waits at least 100 $\mu$ s to allow the MAX9257's internal analog circuitry to fully power up. Then the ECU configures the MAX9257 registers, including a write to disable the PD bit (REG4[4]) so that the MAX9257 does not return back to the low power state. Every packet needs to start with a synchronization frame (see the *UART* section). If the PD bit is not disabled within 70ms after transmitting the dummy frame, the MAX9257 returns to the low power state and the whole power-up sequence needs to be repeated. After configuration is complete, the ECU also needs to enable the SEREN bit to start the video phase.

At initial power-up with REM pulled to VCC, default value of SEREN bit is 0, so STO and ETO timers are not active. Control channel is enabled as long as SEREN is 0. This allows the control channel to be used for extensive

programming at initial power-up without the channel timing out. UART, parity, framing and packet errors in the control channel communications are reported if end frame is used to close control channel (see the *MAX9258 Error Checking and Reporting* section). For faster identification of errors, verify every write command by reading back the registers before enabling serialization.

## Link Power-Down

When the control channel is open, the ECU writes to the PD bit to power down the MAX9257. In this case, to power up the MAX9257 again, the power-up sequence explained in the *Remote Power-Up of the MAX9257 (REM = Pulled Up to VCC)* section needs to be repeated. The MAX9258 has a  $\overline{PD}$  input that powers down the device.

## MAX9258 Error Checking and Reporting

The MAX9258 has an open-drain ERROR output. This output indicates various error conditions encountered during the operation of the system. When an error condition is detected and needs to be reported,  $\overline{ERROR}$  asserts low.  $\overline{ERROR}$  indicates three error conditions: UART, video parity, and PRBS errors.

### UART Errors

During control channel communication in base mode, the MAX9257/MAX9258 record UART frame, parity, and packet errors. I<sup>2</sup>C errors are also recorded by MAX9257 when I<sup>2</sup>C interface is enabled. If ECU closes the control channel by using end frame (EF), the MAX9257 sends a special internal UART frame back to the MAX9258 called error frame. The MAX9257 UART and I<sup>2</sup>C errors are reset at the next control channel. The MAX9258 receives the error frame and records the error status in its UART error register (REG13). ECU must use end frame to the close control channel for the MAX9257 to report back UART and I<sup>2</sup>C errors to the MAX9258. Whenever one of the bits in the UART error register is 1,  $\overline{ERROR}$  asserts low. The UART error register is reset when ECU reads it, and  $\overline{ERROR}$  deasserts high immediately if UART errors were the only reason that  $\overline{ERROR}$  was asserted low. If the MAX9258 is not locked (LOCK = low), UART error is not reported.

### Video Parity Errors

When video parity check is enabled (REG0[3] in both devices), the MAX9258 counts the number of video parity errors by checking recovered video words. Value of this counter is reflected in PAERRHI (8 MSB bits, REG11) and PAERRLO (8 LSB bits, REG10). If the number of detected parity errors is greater than or equal to the parity error threshold PATHRHI (REG9) and PATHRLO (REG8), then  $\overline{ERROR}$  asserts low. In this

# Fully Programmable Serializer/Deserializer with UART/I<sup>2</sup>C Control Channel

case,  $\overline{\text{ERROR}}$  deasserts high after next video phase starts if video parity errors were the only reason that  $\overline{\text{ERROR}}$  was asserted low. To report parity errors in bypass mode, program autoerror reset (AER) to 1 (REG1[5] = 1).

### Autoerror Reset

The default method to reset errors is to read the respective error registers in the MAX9258 (registers 10, 11, and 13). If errors were present before the next control channel, the error count gets incremented to the previous number. By setting the autoerror reset (AER) bit to 1, the error registers reset when the control channel ends. Setting AER to 1 does not reset PRBS errors.

### PRBS Errors

During the PRBS test, the MAX9258 checks received PRBS data words by comparing them to internally generated PRBS data. Detected errors are counted in the PRBS error register (REG12) in the MAX9258. Whenever the number of detected PRBS errors is more than 0,  $\overline{\text{ERROR}}$  asserts low. The PRBS error register is reset when ECU writes a 0 to PRBSEN register (REG4[0]). In this case,  $\overline{\text{ERROR}}$  deasserts high immediately if PRBS errors were the only reason that  $\overline{\text{ERROR}}$  was asserted low.

### Short Synchronization Pattern

The short synchronization pattern is part of the handshaking procedure between the MAX9257 and MAX9258 after the control channel phase. It is used to resynchronize the MAX9258's clock and data recovery circuit to the MAX9257 before the video phase begins. The MAX9257 transmits the short synchronization pattern when it receives the lock frame from the MAX9258. The length of short synchronization pattern is dependant on the PRATE range. When PRATE is 00 or 01, the short synchronization pattern consists of 546 words and when PRATE is 10 or 11, the short synchronization pattern consists of 1090 words. Every word is one pixel clock period.

### Long Synchronization Pattern

At power-up or when the MAX9257 does not receive a lock frame from the MAX9258, the MAX9257 transmits a long synchronization pattern. The long synchronization pattern consists of 17,410 words. Every word is one pixel clock period. When REM is high, if synchronization is not achieved after 62 attempts, the MAX9257 resets SEREN to 0 so that the control channel stays open to allow troubleshooting. When REM is low, the MAX9257/MAX9258 continuously tries to reestablish the connection.

Table 27. Link Status

LOCK	CCEN	INDICATION
1	0	LVDS channel active
1	1	Control channel active
0	X	PLL loss of lock

### Lock Verification (Handshaking)

At the end of every vertical blanking time, the MAX9257 verifies that the MAX9258 did not lose lock. The MAX9258 handshakes with the MAX9257 to indicate lock status. The handshaking occurs after the channel closes (Figures 22 and 23). If the number of decoding errors in a time window did not exceed a certain threshold during the last video phase, the MAX9258 sends back the lock frame that indicates lock. If the MAX9257 receives the lock frame, the MAX9257 transmits a short synchronization pattern. The MAX9258 features a proprietary VCO mechanism that prevents frequency drift while in the control channel. This allows for successful resynchronization after extended use of control channel. If the number of decoding errors in a time window exceeds a certain threshold, the MAX9258 loses lock, LOCK goes low, and the lock frame is not sent. The MAX9258 also loses lock if handshaking is not successful. If the MAX9257 does not receive the lock frame, it transmits a long synchronization pattern before the start of next video phase. When REM = 1, if the lock frame is not received by the MAX9257 after 62 consecutive attempts to synchronize, SEREN is disabled so that the control channel opens permanently for troubleshooting.

### Link Status (LOCK and CCEN)

The LOCK output indicates whether the MAX9258 is locked to the MAX9257. LOCK is an open-drain output that needs to be pulled up to  $V_{CC}$ . LOCK asserts low to indicate that the MAX9258 is not locked to the MAX9257 and high when it is. In the control channel phase, LOCK stays high if LOCK is high in the video phase. While in the control channel phase, the MAX9258 PLL frequency is held constant, PCLK output is active and data outputs are frozen at their last valid value before entering the control channel. CCEN output indicates whether the MAX9257/MAX9258 are in the control channel phase or video phase. CCEN goes high when the MAX9257/MAX9258 are in the control channel phase (Table 27). Only at initial power-up, CCEN goes high before communication in the control channel is ready (see the *Link Power-Up* section).

# Fully Programmable Serializer/Deserializer with UART/I<sup>2</sup>C Control Channel

## Control Channel

### Overview of Control Channel Operation

The control channel is used by the ECU to program registers in the MAX9257, MAX9258, and peripheral devices (such as a camera) during vertical blanking, after power-up, or when serialization is disabled. Control channel communication is half-duplex UART. The peripheral interface on the MAX9257 can be programmed to be I<sup>2</sup>C or UART. Operation of the control channel is synchronized with the VSYNC input after the ECU starts serialization of video data. Programmable timers, ECU signal activity, and end frame determine how long the control channel stays open. The control channel remains open as long as there is signal activity from the ECU. When the control channel closes, the LVDS serial link is reestablished. Once serialization is enabled, the programming of registers (including the control channel overhead time) must be completed within the vertical blanking time to avoid loss of video data. VSYNC can deassert while control channel remains open after eight pixel clock cycles.

The control channel phase begins on the transition of the programmed active edge of VSYNC\_IN. In video applications, the VSYNC signal of the peripheral device is connected to VSYNC\_IN on the MAX9257. In other applications, a different signal can be used to trigger the control channel phase. When the MAX9257/MAX9258 detect the VSYNC\_IN transition, the LVDS video phase disables and the control channel phase is enabled.

The control channel operates in two modes: base and bypass. In base mode, the ECU issues UART commands in a specified format to program the MAX9257/MAX9258 registers. GPIO on the MAX9257 are also programmed in base mode. UART commands are translated to I<sup>2</sup>C and output to peripheral devices connected to the MAX9257 when not addressed to either the MAX9257 or the MAX9258.

In bypass mode, programming of the MAX9257/MAX9258 registers are temporarily or permanently blocked depending on the programmed value of CTO. Blocking prevents unintentional programming of the MAX9257/MAX9258 registers when the ECU communicates with the peripheral using a UART protocol different than the one specified to program the MAX9257/MAX9258. When the control channel is open, the MAX9258 continues outputting the pixel clock while HSYNC and video data are held at the last value. If spread is enabled on the MAX9258, the pixel clock is spread.

## Control Channel Overhead

Control channel overhead consists of lock frame, short synchronization sequence, and error frame. The lock frame is transmitted between the MAX9257 and the MAX9258 without action by the ECU. The error frame is only sent in response to end frame. When MAX9257 spread spectrum is enabled, the control channel is entered after spread reaches center frequency. The overhead from VSYNC falling edge to control channel enable accounts for a maximum of 1400 pixel clock cycles.

### Base Mode (Details)

Base mode allows the ECU to communicate with the MAX9257/MAX9258 in UART and a peripheral device in I<sup>2</sup>C. UART programming of the peripheral device is not possible in base mode. UART packets from the ECU need to follow a certain protocol to program the MAX9257 and the MAX9258 (Figures 28 and 29). Packets not addressed to the MAX9257/MAX9258 get converted to I<sup>2</sup>C by the MAX9257 and pass to the peripheral device. The MAX9257 receives I<sup>2</sup>C packets from the peripheral device and converts them to UART packets to send back to the ECU. To disable communication to the peripheral device, write a 0 to INTEN (REG8[6] in the MAX9257 and REG7[6] in the MAX9258).

In base mode, the STO/ETO timers and the EF command are used to control the duration of the control channel. STO and ETO count up and expire when they reach their programmed value. STO and ETO are not enabled at the same time. STO is enabled after CCEN goes high. If there is activity from the ECU before STO times out, STO is disabled and ETO is enabled. The ECU must begin a transaction within an STO timeout or else the channel closes. The ECU can close the channel by allowing ETO to timeout. Activity from the ECU resets the ETO timer. Another way to close the control channel is by sending an end frame (EF). EF closes the channel within 2 to 3 bit times after being received by the MAX9257/MAX9258. The default value of EF is 0xFF, but can be programmed to any other value besides the MAX9257 and the MAX9258 device addresses. The control channel must be closed with EF for control channel errors to be reported.

Program STO to be longer than the time the ECU takes to respond to opening of channel. Program ETO to be longer than the time the ECU pauses between transactions. As long as the ECU performs transactions, ETO is reset and the channel stays open.

The ECU must wait 14 or more bit times before addressing another device during the same control channel session. Failure to wait 14 bit times may result in the packet boundary not being reset. Internal handshaking operations are automatically performed after the channel is closed and before the video phase begins.

# Fully Programmable Serializer/Deserializer with UART/I<sup>2</sup>C Control Channel

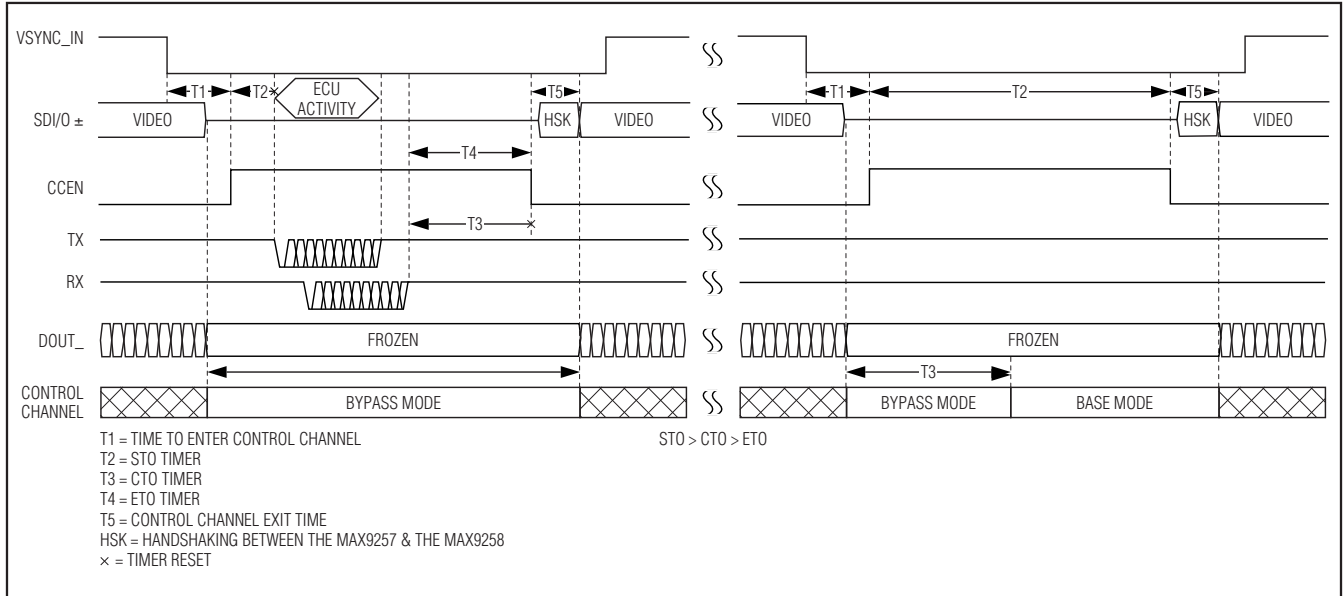


Figure 24. CTO Timing

### UART-to-I<sup>2</sup>C Converter

The UART-to-I<sup>2</sup>C converter accepts UART read or write packets issued by the ECU and converts them to an I<sup>2</sup>C master protocol when in base mode. A slave can use an ACK or NACK to indicate a busy or wait state, but cannot hold SCL low to indicate a wait state. Multiple slaves are supported. The UART-to-I<sup>2</sup>C conversion delay is less than 22 UART bit times and needs to be taken into account when setting the ETO and STO timeout periods for read commands. UART-to-I<sup>2</sup>C converter converts standard UART format to standard I<sup>2</sup>C format (Figure 25). This includes data-bit ordering conversion because UART transmits the LSB in first while I<sup>2</sup>C transmits the MSB first. UART/I<sup>2</sup>C read delay is a maximum 34 bit times when reading from an I<sup>2</sup>C peripheral.

The MAX9257/MAX9258 store their own 7-bit device addresses in register REG5. All packets not addressed to the MAX9257/MAX9258 are forwarded to the UART-to-I<sup>2</sup>C converter. The I<sup>2</sup>C interfaces (SDA and SCL) are open drain and actively drive a low state. When idle, SDA and SCL are high impedance and pulled high by a pullup resistor. SDA and SCL are idle when packets are addressed to the MAX9257 or MAX9258. SDA and SCL are also idle when the I<sup>2</sup>C interface is programmed to be disabled.

### Bypass Mode (Details)

In bypass mode, ECU activity and UART communication from the camera reset the ETO and CTO timers. This allows the control channel to stay in bypass as

long as there is camera activity. In base mode, only ECU activity resets the ETO and CTO timers.

Bypass mode temporarily or permanently blocks programming of the MAX9257/MAX9258. Bypass mode allows only UART programming of peripheral device by ECU. There is no I<sup>2</sup>C connection in bypass mode. Bypass mode is entered by writing a 0 to INTMODE and by writing a 1 to INTEN (Table 23). Bypass mode disables ECU programming of the MAX9257/MAX9258 to allow any UART communication protocol with the peripheral device. Once bypass mode is entered, the MAX9257/MAX9258 stay in bypass mode until CTO times out.

In bypass mode, the STO and ETO timers determine the control channel duration. CTO timer determines whether to revert back to base mode or not, and EF is not recognized.

A useful setting in bypass mode is to set STO > CTO > ETO because this setting is an alternative to permanent bypass (Figure 24). Use this setting to stay in bypass mode to avoid the overhead of entering from base mode every time the control channel opens. If the ECU uses the channel within a CTO timeout, ETO is activated and then ETO times out before CTO. The channel closes because ETO times out, but channel stays in bypass mode because CTO does not time out. At the next vertical blanking time, bypass mode continues with CTO reset and the ECU can immediately send commands to the camera. If the ECU or camera does not use the channel, CTO times out before STO. STO closes the channel (because ETO is not enabled) if no communication is

# Fully Programmable Serializer/Deserializer with UART/I<sup>2</sup>C Control Channel

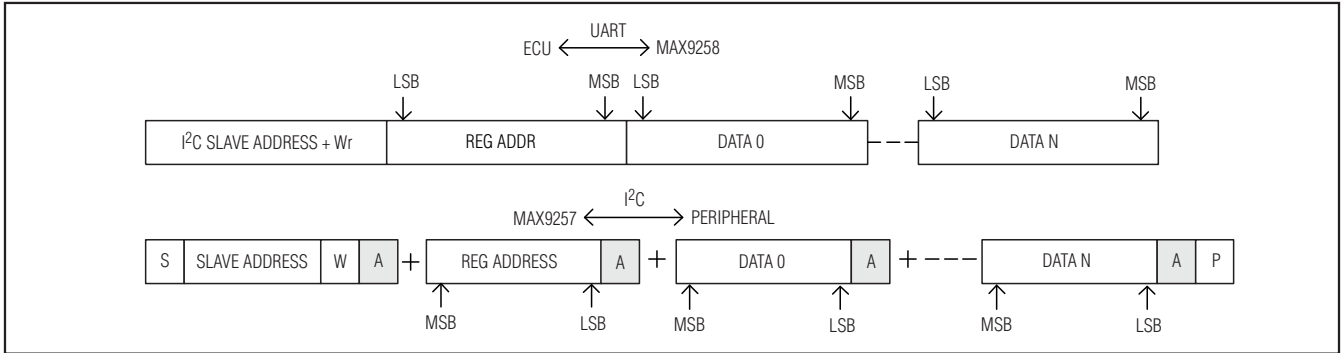


Figure 25. UART-to-I<sup>2</sup>C Conversion

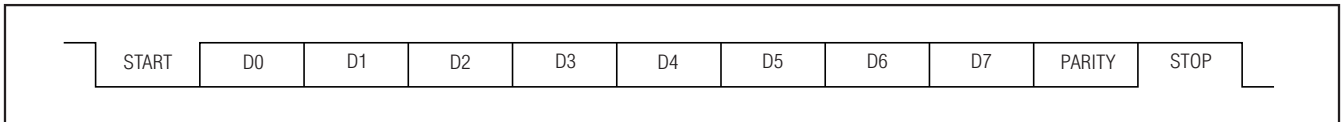


Figure 26. UART Frame Format

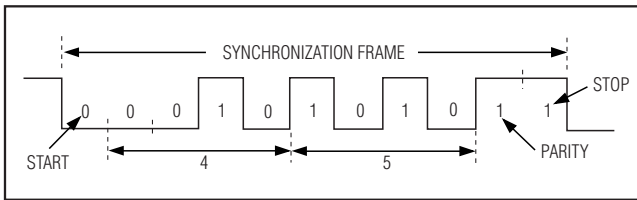


Figure 27. UART Synchronization Frame

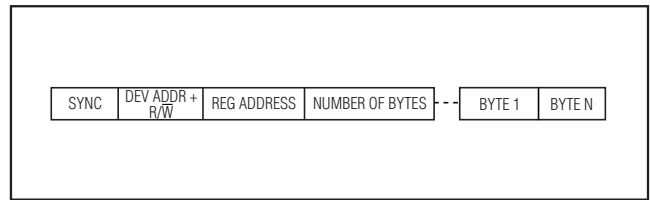


Figure 28. UART Write Packet to MAX9257/MAX9258

sent, but since CTO timed out, bypass mode ends and base mode is active for the next vertical blanking period.

With  $STO > CTO > ETO$ , bypass mode can be made continuous by having the ECU send real commands or dummy commands (such as a command to a nonexisting address) each time the control channel opens. Then the ECU does not have to send a command to enter bypass mode each time it wants to program the peripheral device.

## UART

### UART Frame Format

The UART frame used to program the MAX9257 and the MAX9258 has a low start bit, eight data bits, an even parity bit and a high stop bit. The data following the start bit is the LSB. With even parity, when there are an odd number of 1s in the data bits (D0 through D7) the parity bit is set to 1. The stop bit is sampled and if it is not high, a frame error is generated (Figure 26).

### UART Synchronization Frame

The synchronization frame must precede any read or write packets (Figure 26). Transitions in the frame calibrate the oscillators on the MAX9257/MAX9258. The baud rate of the synchronization frame sets the operating baud rate of the control channel. At power-up, UART data rate must be between 95kbps to 400kbps. After power-up, UART data rate can be programmed according to Tables 28 and 29. Data is serialized starting with the LSB first. The synchronization frame is 0x54 as shown in Figure 27.

### Write Packet

The ECU writes the sync frame, 7-bit device address plus read/write bit ( $R/\bar{W} = 0$  for write), 8-bit register address, number of bytes to be written, and data bytes (Figure 28). The ECU must follow this UART protocol to correctly program the MAX9257/MAX9258.

# Fully Programmable Serializer/Deserializer with UART/I<sup>2</sup>C Control Channel

### Read Packet

The ECU writes the sync frame, 7-bit device address plus read/write bit ( $R/\overline{W}$  = 1 for read), 8-bit register address, and number of bytes to be read. The addressed device responds with read data bytes (Figure 29). UART read delay is maximum 4 bit times when reading from the MAX9257 or the MAX9258.

### Time Between Frames

Up to two high bit times are allowed between frames.

### Reset of Packet Boundary

A high time ranging from 14 UART bit times or more resets the packet boundary. In this case, the next frame received is assumed to belong to a new packet by the MAX9257/MAX9258 and UART-to-I<sup>2</sup>C converter. Resetting the boundary is required. Not resetting the boundary treats the following packets as part of the first packet, and they may be processed incorrectly.

### Data Rate

The control channel data rate in base mode is between 95kbps to 4.25Mbps (Table 28). In bypass mode, the allowed data rate is DC to 10Mbps (Table 29). For data rates faster than 4.25Mbps in bypass mode, REG8[5] in MAX9257 and REG7[5] in MAX9258 must be set high. Set the control channel data rate in base mode by writing to REG8[1:0] in the MAX9257 and REG7[1:0] in the MAX9258. These write commands take effect in the next control channel.

Programming the FAST bit takes effect in the same control channel. Both the MAX9257 and the MAX9258 should have the same settings for FAST. It is recommended to first program the FAST bit in the MAX9257. Programming FAST to 1 results in shorter UART pulses on the differential link.

### MAX9257/MAX9258 Device Address Programming

The MAX9257/MAX9258 have device addresses that can be programmed to any 7-bit address. Table 30 shows the default addresses.

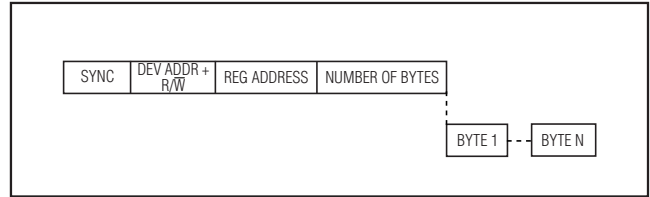


Figure 29. UART Read Packet

**Table 28. Control Channel Data Rate in Base Mode**

MAX9257 REG8[1:0] MAX9258 REG7[1:0]	RANGE
00	95kbps–400kbps (default)
01	400kbps–1Mbps
10	1Mbps–4.25Mbps
11	1Mbps–4.25Mbps

**Table 29. Control Channel Data Rate in Bypass Mode**

MAX9257 REG8[5] MAX9258 REG7[5]	RANGE
0	DC–4.25Mbps
1	4.25Mbps–10Mbps

**Table 30. Default Device Address**

DEVICE	DEFAULT	
	BINARY	HEX
MAX9257	1111 1010	0xFA
MAX9258	1111 1000	0xF8

# Fully Programmable Serializer/Deserializer with UART/I<sup>2</sup>C Control Channel

## I<sup>2</sup>C

The MAX9257 features a UART-to-I<sup>2</sup>C converter that converts UART packets to I<sup>2</sup>C. The UART-to-I<sup>2</sup>C converter works as a repeater between the ECU and external I<sup>2</sup>C slave devices. The MAX9257 acts as the master and converts UART read/write packets from the ECU to I<sup>2</sup>C read/write for external I<sup>2</sup>C slave devices. For writes, the UART-to-I<sup>2</sup>C converts the UART packets received directly into I<sup>2</sup>C. For reads, the UART-to-I<sup>2</sup>C converter follows the UART packet protocol. The I<sup>2</sup>C SCL clock period is approximately the same as the UART bit clock period (t<sub>UCLK</sub>). The I<sup>2</sup>C speed varies with UART speed.

I<sup>2</sup>C reads from the peripheral device do not disable the ETO timer. Choose ETO large enough so that I<sup>2</sup>C read commands are not lost due to ETO timing out.

## I<sup>2</sup>C Timing

The MAX9257 acts like a master in I<sup>2</sup>C communication with the peripheral device. The MAX9257 takes less than 22 UART bit times to convert UART packets into

I<sup>2</sup>C. The SCL and SDA timings are based on the UART bit clock. The I<sup>2</sup>C data rate is determined by UART and can range from 95kbps to 4.25Mbps. The I<sup>2</sup>C timing requirements scale linearly from fast mode to higher speeds. Table 31 shows the I<sup>2</sup>C timing information for data rates greater than 400kbps. The I<sup>2</sup>C parameters scale with t<sub>UCLK</sub>. See Figure 30 for timing parameters.

## Applications Information

### PRBS Test

The MAX9257/MAX9258 have built-in circuits for testing bit errors on the serial link. The MAX9257 has a PRBS generator and the MAX9258 has a PRBS checker. The length of the PRBS pattern is programmable from 2<sup>21</sup> to 2<sup>35</sup> word length or continuous by programming REG9[7:4] in the MAX9257. In case of errors, errors are counted in the MAX9258 PRBSERR register (REG12), and the ERROR output on the MAX9258 goes low. To start the test, the ECU writes a 1 to PRBSEN bit of both the MAX9257 and the MAX9258. The PRBS test can be

**Table 31. Timing Information for I<sup>2</sup>C Data Rates Greater than 400kbps**

PARAMETER	SYMBOL	MIN	TYP	MAX	UNIT
SCL Clock Frequency	f <sub>SCL</sub>	1	1		t <sub>UCLK</sub> *
Start Condition Hold Time	t <sub>HD:STA</sub>	1	1		t <sub>UCLK</sub>
Low Period of SCL Clock	t <sub>LOW</sub>	0.5	0.5		t <sub>UCLK</sub>
High Period of SCL Clock	t <sub>HIGH</sub>	0.5	0.5		t <sub>UCLK</sub>
Repeated START Condition Setup Time	t <sub>SU:STA</sub>	0.25	0.25		t <sub>UCLK</sub>
Data Hold Time	t <sub>HD:DAT</sub>	0.25	0.25		t <sub>UCLK</sub>
Data Setup Time	t <sub>SU:DAT</sub>	0.25	0.25		t <sub>UCLK</sub>
Setup Time for STOP Condition	t <sub>SU:STO</sub>	0.25	0.25		t <sub>UCLK</sub>
Bus Free Time	t <sub>BUF</sub>	0.5	0.5		t <sub>UCLK</sub>

\*t<sub>UCLK</sub> is equal to one UART period.

# Fully Programmable Serializer/Deserializer with UART/I<sup>2</sup>C Control Channel

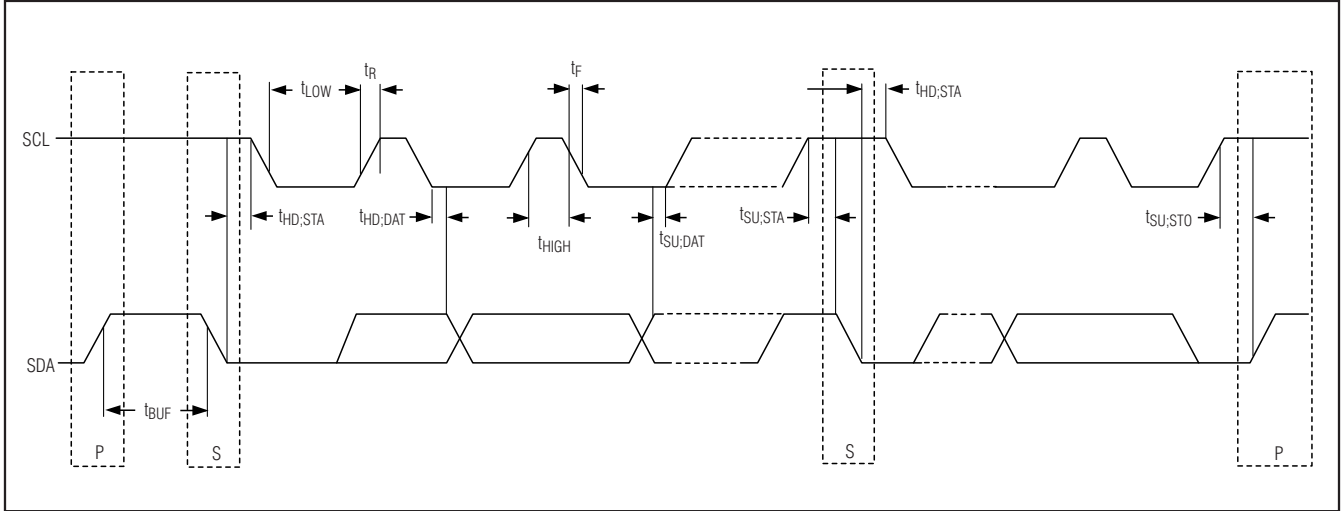


Figure 30. I<sup>2</sup>C Timing Parameters

performed with or without spread spectrum. If the PRBS test is programmed to run continuously, the MAX9257 must be powered down to stop the test. When programmed for a finite number of repetitions, the control channel is enabled after the PRBS test finishes and serialization enable (SEREN) is reset to 0. To start normal operation, the ECU must disable PRBSEN and enable SEREN.

### Video Data Parity

Parity protection of video data is programmable for parallel-word widths of 16 bits or less. When programmed, two parity bits are appended to each parallel word latched into the MAX9257. In the MAX9258, a 16-bit parity error counter logs parity errors. The  $\overline{ERROR}$  output on the MAX9258 goes low if parity errors exceed a programmable threshold.

### AC-Coupling Benefits

AC-coupling increases the input voltage of the LVDS receiver to the voltage rating of the capacitor. Two capacitors are sufficient for isolation, but four capacitors—two at the serializer output and two at the deserializer input—provide protection if either end of the cable is shorted to a high voltage. AC-coupling blocks low-frequency ground shifts and common-mode noise.

### Selection of AC-Coupling Capacitors

See Figure 31 for calculating the capacitor values for AC-coupling depending on the parallel clock frequency. The plot shows minimum capacitor values for two- and four-capacitor-per-link systems. To block the highest common-mode frequency shift, choose the minimum

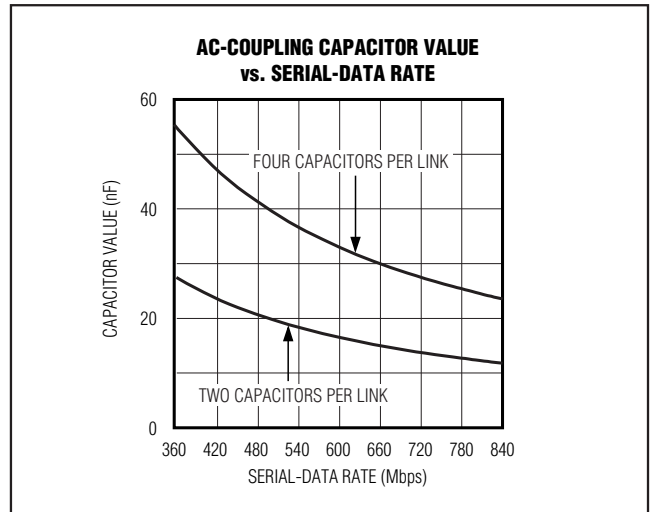


Figure 31. AC-Coupling Capacitor Values vs. Clock Frequency from 18MHz to 42MHz

capacitor value shown in Figure 31. In general, 0.1 $\mu$ F capacitors are sufficient.

### Optimally Choosing AC-Coupling Capacitors

Voltage droop and the digital sum variation (DSV) of transmitted symbols cause signal transitions to start from different voltage levels. Because the transition time is finite, starting the signal transition from different voltage levels causes timing jitter. The time constant for an AC-coupled link needs to be chosen to reduce droop and jitter to an acceptable level. The RC network for an AC-coupled link consists of the LVDS receiver termination resistor ( $R_{TR}$ ),

# Fully Programmable Serializer/Deserializer with UART/I<sup>2</sup>C Control Channel

the LVDS driver termination resistor ( $R_{TD}$ ), and the series AC-coupling capacitors ( $C$ ). The RC time constant for four equal-value series capacitors is  $(C \times (R_{TD} + R_{TR}))/4$ .  $R_{TD}$  and  $R_{TR}$  are required to match the transmission line impedance (usually  $100\Omega$ ). This leaves the capacitor selection to change the system time constant. In the following example, the capacitor value for a droop of 2% is calculated:

$$C = -\frac{4 \times t_B \times DSV}{\ln(1 - D) \times (R_{TR} + R_{TD})}$$

where:

$C$  = AC-coupling capacitor (F)

$t_B$  = bit time(s)

DSV = digital sum variation (integer)

$\ln$  = natural log

$D$  = droop (% of signal amplitude)

$R_{TD}$  = driver termination resistor ( $\Omega$ )

$R_{TR}$  = receiver termination resistor ( $\Omega$ )

The bit time ( $t_B$ ) is the serial-clock period or the period of the pixel clock divided by the total number of bits. The maximum DSV for the MAX9257 encoding equals the total number of bits transmitted in one pixel clock cycle. This means that  $t_B \times DSV \leq t_T$ .

The capacitor for 2% maximum droop at 16MHz parallel rate clock is:

$$C = -\frac{4 \times t_B \times DSV}{\ln(1 - D) \times (R_{TR} + R_{TD})}$$

Total number of bits is = 10 (data) + 2 (HSYNC and VSYNC) + 2 (encoding) + 2 (parity) = 16

$$C = -\frac{4 \times 3.91ns \times 16}{\ln(1 - .02) \times (100\Omega + 100\Omega)}$$

$C \geq 0.062\mu F$

Jitter due to droop is proportional to the droop and transition time:

$t_J = t_{TT} \times D$

where:

$t_J$  = jitter(s)

$t_{TT}$  = transition time(s) (0 to 100%)

$D$  = droop (% of signal amplitude)

Jitter due to 2% droop and assumed 1ns transition time is:

$t_J = 1ns \times 0.02$

$t_J = 20ps$

The transition time in a real system depends on the frequency response of the cable driven by the serializer.

The capacitor value decreases for a higher frequency parallel clock and for higher levels of droop and jitter. Use high-frequency, surface-mount ceramic capacitors.

## Power-Supply Circuits and Bypassing

All single-ended inputs and outputs on the MAX9257 are powered from  $V_{CCIO}$ . All single-ended outputs on the MAX9258 are powered from  $V_{CCOUT}$ .  $V_{CCIO}$  and  $V_{CCOUT}$  can be connected to a +1.71V to +3.6V supply. The input levels or output levels scale with these supply rails.

## Board Layout

Separate the LVCMOS/LVTTL signals and LVDS signals to prevent crosstalk. A four-layer PCB with separate layers for power, ground, LVDS, and digital signals is recommended. Layout PCB traces for  $100\Omega$  differential characteristic impedance. The trace dimensions depend on the type of trace used (microstrip or stripline). Note that two  $50\Omega$  PCB traces do not have  $100\Omega$  differential impedance when brought close together—the impedance goes down when the traces are brought closer.

Route the PCB traces for an LVDS channel (there are two conductors per LVDS channel) in parallel to maintain the differential characteristic impedance. Place the  $100\Omega$  (typ) termination resistor at both ends of the LVDS driver and receiver. Avoid vias. If vias must be used, use only one pair per LVDS channel and place the via for each line at the same point along the length of the PCB traces. This way, any reflections occur at the same time. Do not make vias into test points for ATE. Make the PCB traces that make up a differential pair the same length to avoid skew within the differential pair.

## Cables and Connectors

Interconnect for LVDS typically has a differential impedance of  $100\Omega$ . Use cables and connectors that have matched differential impedance to minimize impedance discontinuities. Twisted-pair and shielded twisted-pair cables offer superior signal quality compared to ribbon cable and tend to generate less EMI due to magnetic field canceling effects. Balanced cables pick up noise as common mode that is rejected by the LVDS receiver.

# Fully Programmable Serializer/Deserializer with UART/I<sup>2</sup>C Control Channel

## Choosing I<sup>2</sup>C Pullup Resistors

I<sup>2</sup>C requires pullup resistors to provide a logic-high level to data and clock lines. There are tradeoffs between power dissipation and speed, and a compromise must be made in choosing pullup resistor values. Every device connected to the bus introduces some capacitance even when device is not in operation. I<sup>2</sup>C specifies 300ns rise

times to go from low to high (30% to 70%) for fast mode, which is defined for a data rate up to 400kbps (see I<sup>2</sup>C specifications for details). To meet the rise time requirement, choose the pullup resistors so the rise time  $t_R = 0.85R_{PULLUP} \times C_{BUS} < 300ns$ . If the transition time becomes too slow, the setup and hold times may not be met and waveforms will not be recognized.

**MAX9257 Register Table**

ADDRESS	BITS	DEFAULT	NAME	DESCRIPTION
0	7:6	10	PRATE	Pixel clock frequency range 00 = 5MHz to 10MHz 01 = 10MHz to 20MHz 10 = 20MHz to 40MHz (default) 11 = 40MHz to 70MHz
	5:4	11	SRATE	Serial-data rate range 00 = 60Mbps to 100Mbps 01 = 100Mbps to 200Mbps 10 = 200Mbps to 400Mbps 11 = 400Mbps to 840Mbps (default)
	3	0	PAREN	Parity enable 0 = disabled (default), 1 = enabled
	2:0	101	PWIDTH	Parallel data width (includes HSYNC and VSYNC, excludes DCB, INV, and parity bits) 000 = 10 100 = 18 001 = 12 101 = 18 (default) 010 = 14 110 = 18 011 = 16 111 = 18
1	7:5	000	SPREAD	Spread-spectrum setting For PRATE ranges 00, 01: all spread options possible For PRATE ranges 10, 11: maximum spread is 2% 000 = Off (default) 100 = Off 001 = 1.5% 101 = 3% 010 = 1.75% 110 = 3.5% 011 = 2% 111 = 4%
	4:0	11111		Reserved (set to 11111)
2	Control channel start timeout: (STO) times out if ECU does not start using control channel within this amount of time after control channel session is enabled.			
	7:4	1010	STODIV	Control channel start timeout divider Pixel clock is first divided by: 0000 = 16 1000 = 256 0001 = 16 1001 = 512 0010 = 16 1010 = 1024 (default) 0011 = 16 1011 = 2048 0100 = 16 1100 = 4096 0101 = 32 1101 = 8192 0110 = 64 1110 = 16,384 0111 = 128 1111 = 32,768
	3:0	0000	STOCNT	Control channel start timeout counter Divided pixel clock is used to count up to (STOCNT + 1)

# Fully Programmable Serializer/Deserializer with UART/I<sup>2</sup>C Control Channel

MAX9257 Register Table (continued)

MAX9257/MAX9258

ADDRESS	BITS	DEFAULT	NAME	DESCRIPTION
3	Control channel end timeout: (ETO) times out if ECU does not use control channel for this amount of time after it has already used at least once.			
	7:4	1010	ETODIV	Control channel end timeout divider Pixel clock is first divided by: 0000 = 16                      1000 = 256 0001 = 16                      1001 = 512 0010 = 16                      1010 = 1024 (default) 0011 = 16                      1011 = 2048 0100 = 16                      1100 = 4096 0101 = 32                      1101 = 8192 0110 = 64                      1110 = 16,384 0111 = 128                      1111 = 32,768
	3:0	0000	ETOCNT	Control channel end timeout counter Divided pixel clock is used to count up to (ETOCNT + 1)
4	7	0	VEDGE	VSYNC active edge at camera interface 0 = falling (default), 1 = rising
	6	0		Reserved (set to 0)
	5	1	CKEDGE	PCLK active edge at camera interface 0 = falling, 1 = rising (default)
	4	0	PD	Power mode 0 = power-up, 1 = power-down (when REM = 1 default is 1)
	3	1	SEREN	Serialization enable 0 = disabled, 1 = enabled (when REM = 1 default is 0)
	2	0	BYPFPLL	Bypass filter PLL 0 = active (default), 1 = bypass
	1	0		Reserved (set to 0)
	0	0	PRBSEN	PRBS test enable 0 = disabled (default), 1 = enabled
5	7:1	1111101	DEVICEID	7-bit address of MAX9257
	0	0		Reserved (set to 0)
6	7:1	1111111	EF	End frame to close control channel
	0	1		Reserved (set to 1)
7	7:1	1111100	DESID	7-bit address ID of MAX9258
	0	0		Reserved (set to 0)

# Fully Programmable Serializer/Deserializer with UART/I<sup>2</sup>C Control Channel

**MAX9257 Register Table (continued)**

ADDRESS	BITS	DEFAULT	NAME	DESCRIPTION
8	7	0	INTMODE	Interface mode 0 = UART (default), 1 = I <sup>2</sup> C
	6	0	INTEN	Interface enable 0 = disabled (default), 1 = enabled
	5	0	FAST	Fast UART transceiver 0 = bit rate = DC to 4.25Mbps (default), 1 = bit rate = 4.25Mbps to 10Mbps
	4:2	000	CTO	Timer to come back from bypass mode (in bit time) 000 = never come back (default)                      100 = 64 001 = 16    101 = 80 010 = 32    110 = 96 011 = 48    111 = 112
	1:0	00	BITRATE	Control channel bit rate range in base mode 00 = 95kbps to 400kbps (default) 01 = 400kbps to 1000kbps 10 = 1000kbps to 4250kbps 11 = 1000kbps to 4250kbps
9	7:4	0000	PRBSLEN	PRBS test number of words 1111 = continuous                                      else = $2^{(PRBSLEN + 21)}$
	3	0	GPIO9DIR	GPIO 9 direction                                      0 = input (default), 1 = output
	2	0	GPIO8DIR	GPIO 8 direction                                      0 = input (default), 1 = output
	1	0	GPIO9*	General purpose input output 9
	0	0	GPIO8*	General purpose input output 8
10	7	0	GPIO7DIR	GPIO 7 direction                                      0 = input (default), 1 = output
	6	0	GPIO6DIR	GPIO 6 direction                                      0 = input (default), 1 = output
	5	0	GPIO5DIR	GPIO 5 direction                                      0 = input (default), 1 = output
	4	0	GPIO4DIR	GPIO 4 direction                                      0 = input (default), 1 = output
	3	0	GPIO3DIR	GPIO 3 direction                                      0 = input (default), 1 = output
	2	0	GPIO2DIR	GPIO 2 direction                                      0 = input (default), 1 = output
	1	0	GPIO1DIR	GPIO 1 direction                                      0 = input (default), 1 = output
	0	0	GPIO0DIR	GPIO 0 direction                                      0 = input (default), 1 = output
11	7	0	GPIO7*	General purpose input output 7
	6	0	GPIO6*	General purpose input output 6
	5	0	GPIO5*	General purpose input output 5
	4	0	GPIO4*	General purpose input output 4
	3	0	GPIO3*	General purpose input output 3
	2	0	GPIO2*	General purpose input output 2
	1	0	GPIO1*	General purpose input output 1
	0	0	GPIO0*	General purpose input output 0

# Fully Programmable Serializer/Deserializer with UART/I<sup>2</sup>C Control Channel

**MAX9257 Register Table (continued)**

ADDRESS	BITS	DEFAULT	NAME	DESCRIPTION
12	7:5	111	PREEMP	LVDS driver preemphasis setting 000 = 20%                    111 = off (default) 001 = 40%                    101 = 20% 010 = 60%                    110 = 20% 011 = 80% 100 = 100%
	4:0	00000		Reserved (set to 00000)
13	7:2	000000		Reserved (set to 000000)
	1:0	00	I <sup>2</sup> C FILT	I <sup>2</sup> C glitch filter setting 00 = set according to programmed bit rate (default) 100ns at (95kbps to 400kbps) bit rate 50ns at (400kbps to 1000kbps) bit rate 10ns at (1000kbps to 4250kbps) bit rate 01 = 10ns, 10 = 50ns, 11 = 100ns
14	7:1	(RO)		Reserved
	0	(RO)	LOCKED	PLL locked to pixel clock
15	7:0	(RO)		Reserved

**MAX9257/MAX9258**

# Fully Programmable Serializer/Deserializer with UART/I<sup>2</sup>C Control Channel

MAX9258 Register Table

ADDRESS	BITS	DEFAULT	NAME	DESCRIPTION
0	7:6	10	PRATE	Pixel clock frequency range 00 = 5MHz to 10MHz 01 = 10MHz to 20MHz 10 = 20MHz to 40MHz (default) 11 = 40MHz to 70MHz
	5:4	11	SRATE	Serial-data rate range 00 = 60Mbps to 100Mbps 01 = 100Mbps to 200Mbps 10 = 200Mbps to 400Mbps 11 = 400Mbps to 840Mbps (default)
	3	0	PAREN	Parity enable 0 = disabled (default), 1 = enabled
	2:0	101	PWIDTH	Parallel data width (includes HSYNC and VSYNC, excludes encoding and parity bits) 000 = 10 001 = 12 010 = 14 011 = 16 100 = 18 101 = 18 (default) 110 = 18 111 = 18
1	7:6	00	SPREAD	Spread-spectrum setting 00 = Off (default) 01 = 2% 10 = Off 11 = 4%
	5	0	AER	Autoerror reset 1 = Reset error count when control channel ends. 0 = Reset upon reading error registers 10, 11, 13 (default)
	4:0	00000		Reserved (set to 000000)
2	Control channel start timeout: (STO) times out if ECU does not start using control channel within this amount of time after control channel session is enabled.			
	7:4	1010	STODIV	Control channel start timeout divider Pixel clock is first divided by : 0000 = 16 0001 = 16 0010 = 16 0011 = 16 0100 = 16 0101 = 32 0110 = 64 0111 = 128 1000 = 256 1001 = 512 1010 = 1024 (default) 1011 = 2048 1100 = 4096 1101 = 8192 1110 = 16,384 1111 = 32,768
	3:0	0000	STOCNT	Control channel start timeout counter Divided pixel clock is used to count up to (STOCNT + 1)

# Fully Programmable Serializer/Deserializer with UART/I<sup>2</sup>C Control Channel

MAX9258 Register Table (continued)

MAX9257/MAX9258

ADDRESS	BITS	DEFAULT	NAME	DESCRIPTION
3	Control channel end timeout: (ETO) times out if ECU does not use control channel for this amount of time after it has already used at least once.			
	7:4	1010	ETODIV	Control channel end timeout divider Pixel clock is first divided by: 0000 = 16                      1000 = 256 0001 = 16                      1001 = 512 0010 = 16                      1010 = 1024 (default) 0011 = 16                      1011 = 2048 0100 = 16                      1100 = 4096 0101 = 32                      1101 = 8192 0110 = 64                      1110 = 16,384 0111 = 128                     1111 = 32,768
	3:0	0000	ETOCNT	Control channel end timeout counter Divided pixel clock is used to count up to (ETOCNT + 1)
4	7	0	VEDGE	VSYNC active edge at ECU interface 0 = falling (default), 1 = rising
	6	0	HEDGE	HSYNC active edge at ECU interface 0 = falling (default), 1 = rising
	5	1	CKEDGE	PCLK active edge at ECU interface 0 = falling, 1 = rising (default)
	4:1	0000		Reserved (set to 0000)
	0	0	PRBSEN	PRBS test enable 0 = disabled (default), 1 = enabled
5	7:1	1111100	DEVICEID	7-bit address of MAX9258
	0	0		Reserved (set to 0)
6	7:1	1111111	EF	End frame to close control channel
	0	1		Reserved (set to 1)
7	7	0	INTMODE	Interface mode                      0 = UART (default), 1 = I <sup>2</sup> C
	6	0	INTEN	Interface enable                    0 = disabled (default), 1 = enabled
	5	0	FAST	Fast UART transceiver 0 = bit rate = DC to 4.25Mbps (default), 1 = bit rate = 4.25Mbps to 10 Mbps
	4:2	000	CTO	Timer to come back from bypass mode (in bit time) 000 = never come back (default)                      100 = 64 001 = 16    101 = 80 010 = 32    110 = 96 011 = 48    111 = 112
	1:0	00	BITRATE	Control channel bit rate range in base mode 00 = 95kbps to 400kbps (default) 01 = 400kbps to 1000kbps 10 = 1000kbps to 4250kbps 11 = 1000kbps to 4250kbps

# Fully Programmable Serializer/Deserializer with UART/I<sup>2</sup>C Control Channel

**MAX9258 Register Table (continued)**

ADDRESS	BITS	DEFAULT	NAME	DESCRIPTION
8	7:0	00010000	PATHRLO	Threshold for number of video parity errors (8 LSBs) If the number of errors exceeds this value, ERR pin is asserted.
9	7:0	00000000	PATHRHI	Threshold for number of video parity errors (8 MSBs) If the number of errors exceeds this value, ERR pin is asserted.
10	7:0	(RO)	PAERRLO	Number of video parity errors (8 LSBs)
11	7:0	(RO)	PAERRHI	Number of video parity errors (8 MSBs)
12	7:0	(RO)	PRBSERR	PRBS test number of bit errors Automatically reset when PRBS test is disabled 0xFF indicates 255 or more errors
13	7:5	(RO)		Reserved
	4	(RO)	DESPERR	Parity error during communication with deserializer
	3	(RO)	DEFERR	Frame error during communication with deserializer
	2	(RO)	SERPERR	Parity error during communication with serializer
	1	(RO)	SERFERR	Frame error during communication with serializer
	0	(RO)	I <sup>2</sup> CERR	Error during communication with camera in I <sup>2</sup> C mode
14	7:0	(RO)		Reserved

# Fully Programmable Serializer/Deserializer with UART/I<sup>2</sup>C Control Channel

MAX9257/MAX9258

## ESD Protection

The MAX9257/MAX9258 ESD tolerance is rated for Human Body Model, Machine Model, IEC 61000-4-2 and ISO 10605. The ISO 10605 and IEC 61000-4-2 standards specify ESD tolerance for electronic systems. LVDS outputs on the MAX9257 and LVDS inputs on the MAX9258 meet ISO 10605 ESD protection and IEC 61000-4-2 ESD protection. All other pins meet the

Human Body Model and Machine Model ESD tolerances. The Human Body Model discharge components are  $C_S = 100\text{pF}$  and  $R_D = 1.5\text{k}\Omega$  (Figure 33). The IEC 61000-4-2 discharge components are  $C_S = 150\text{pF}$  and  $R_D = 330\Omega$  (Figure 32). The ISO 10605 discharge components are  $C_S = 330\text{pF}$  and  $R_D = 2\text{k}\Omega$  (Figure 34). The Machine Model discharge components are  $C_S = 200\text{pF}$  and  $R_D = 0\Omega$  (Figure 35).

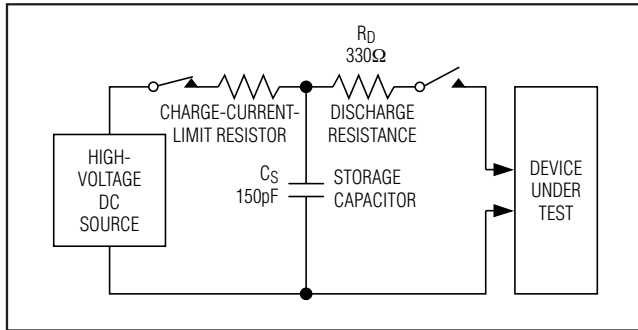


Figure 32. IEC 61000-4-2 Contact Discharge ESD Test Circuit

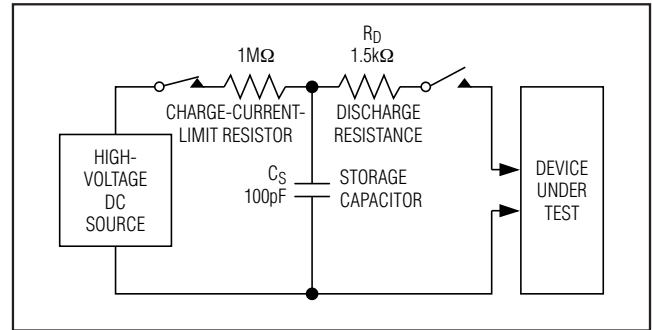


Figure 33. Human Body ESD Test Circuit

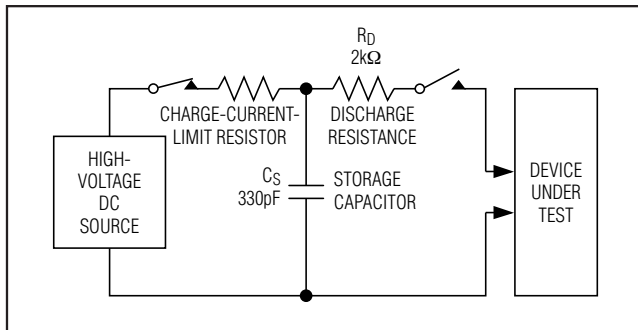


Figure 34. ISO 10605 Contact Discharge ESD Test Circuit

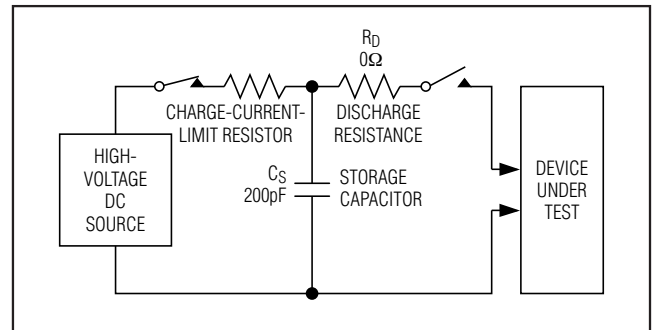


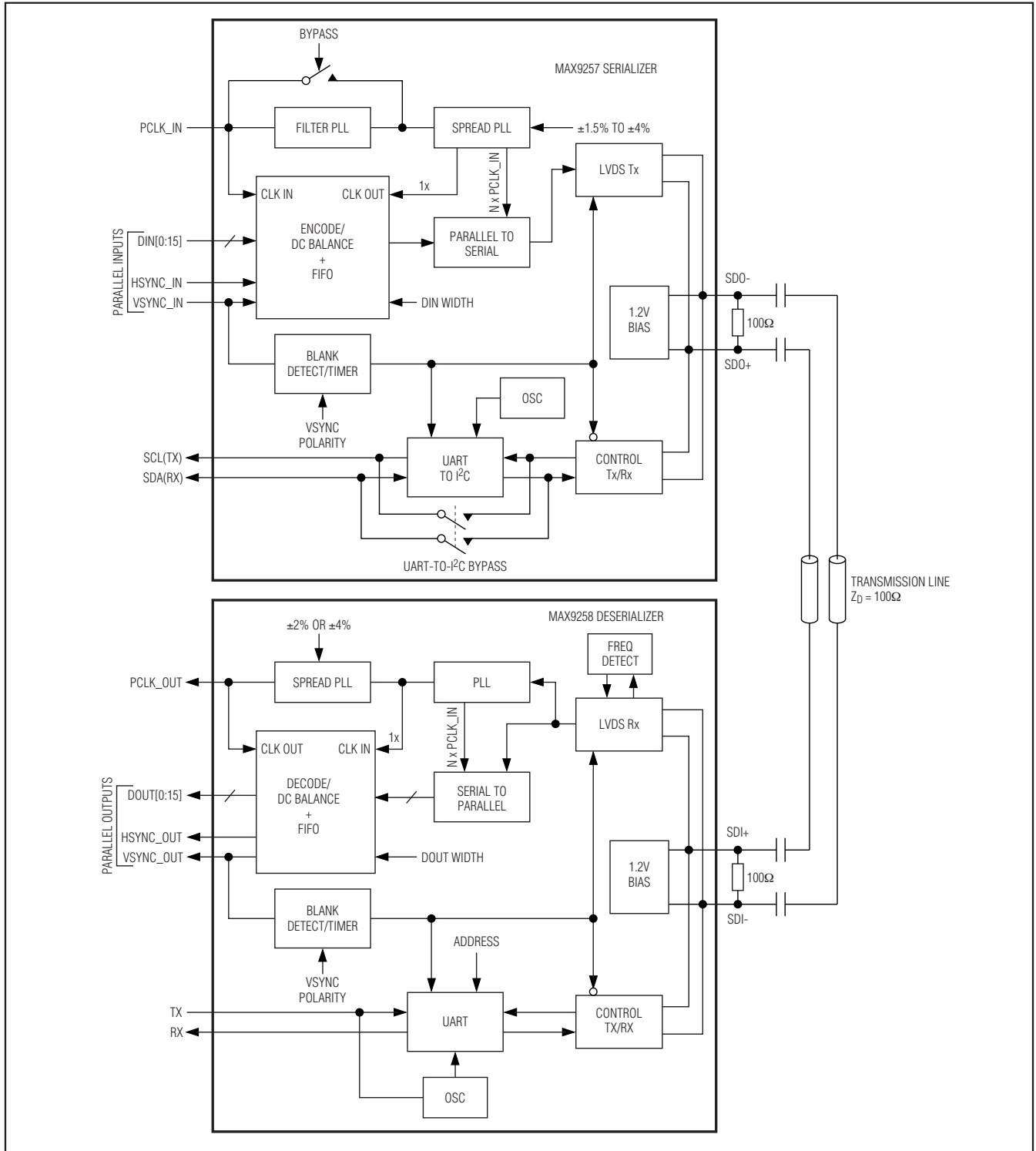
Figure 35. Machine Model ESD Test Circuit

## Chip Information

PROCESS: CMOS

# Fully Programmable Serializer/Deserializer with UART/I<sup>2</sup>C Control Channel

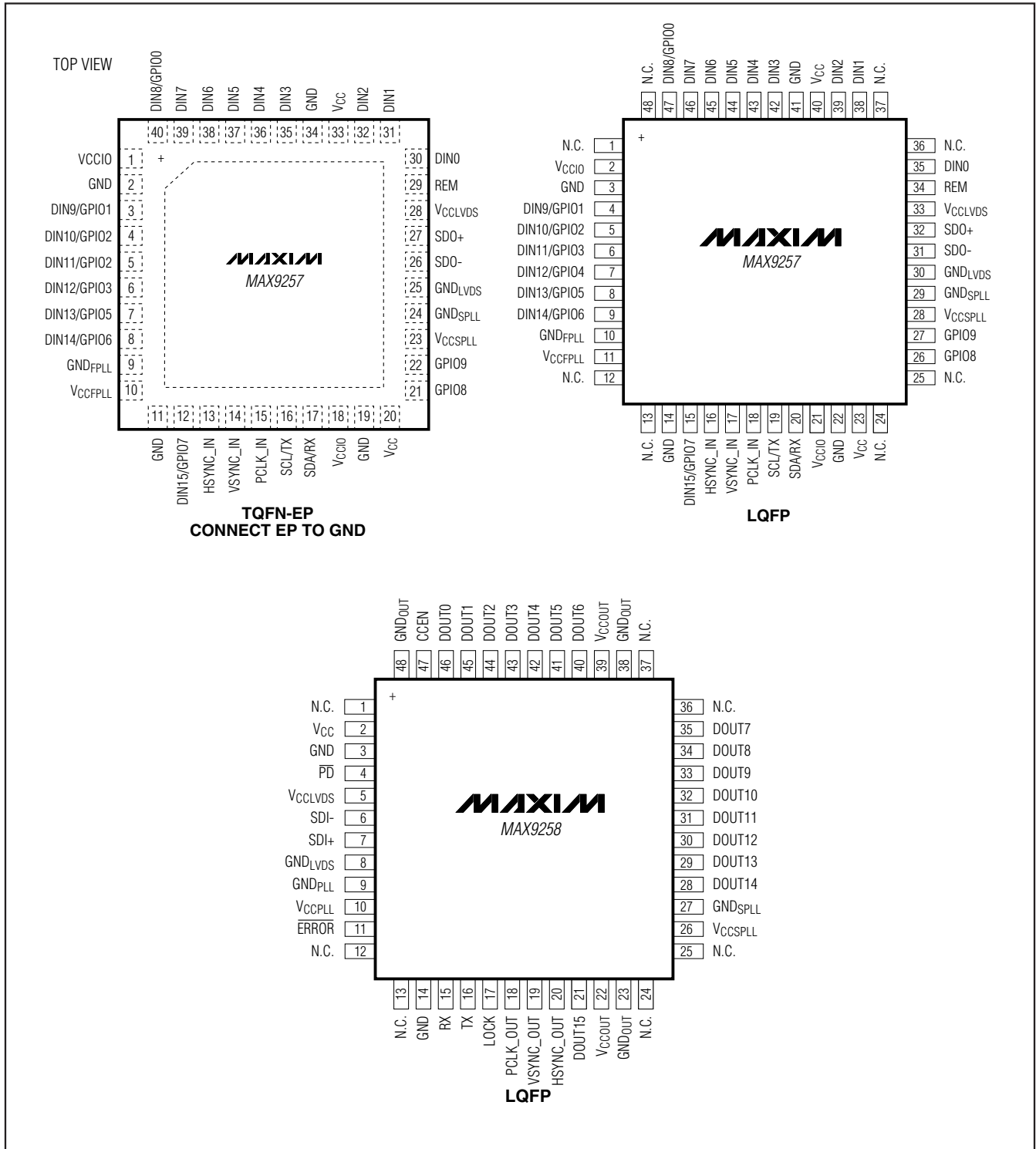
## Functional Diagram



# Fully Programmable Serializer/Deserializer with UART/I<sup>2</sup>C Control Channel

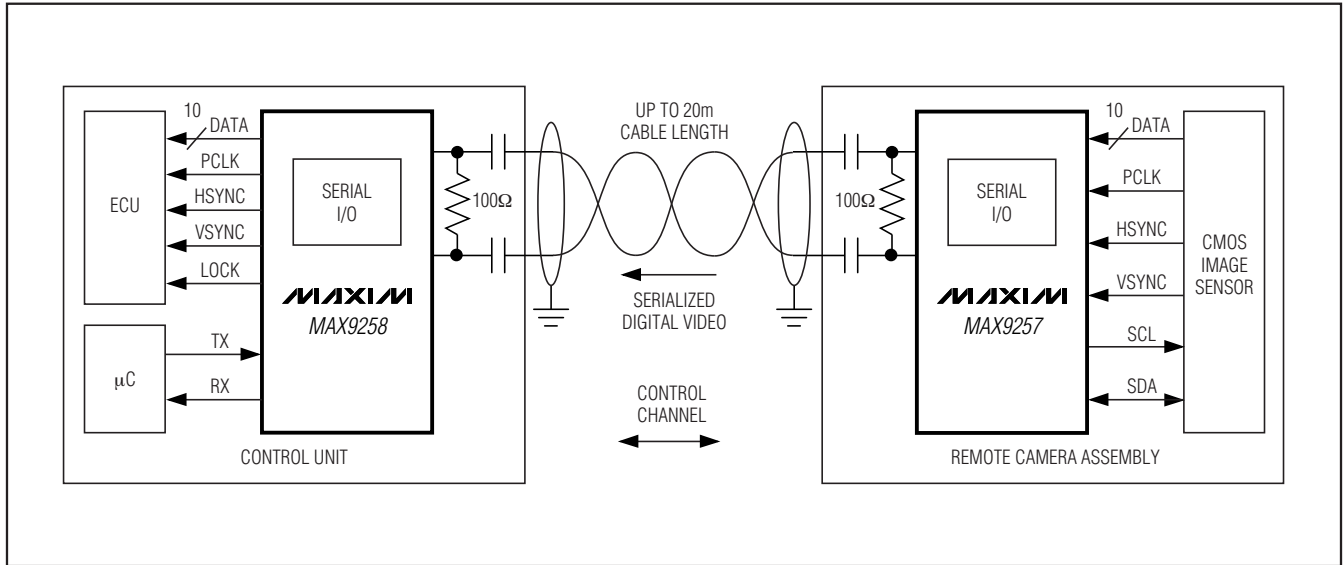
## Pin Configurations

**MAX9257/MAX9258**



# Fully Programmable Serializer/Deserializer with UART/I<sup>2</sup>C Control Channel

## Typical Operating Circuit



# Fully Programmable Serializer/Deserializer with UART/I<sup>2</sup>C Control Channel

## Package Information

For the latest package outline information and land patterns, go to [www.maxim-ic.com/packages](http://www.maxim-ic.com/packages).

PACKAGE TYPE	PACKAGE CODE	DOCUMENT NO.
40 TQFN	T4055+1	<a href="#">21-0140</a>
48 LQFP	C48+3	<a href="#">21-0054</a>

MAX9257/MAX9258

# **Fully Programmable Serializer/Deserializer with UART/I<sup>2</sup>C Control Channel**

## **Revision History**

<b>REVISION NUMBER</b>	<b>REVISION DATE</b>	<b>DESCRIPTION</b>	<b>PAGES CHANGED</b>
0	6/08	Initial release	—
1	3/09	Added automotive qualified part numbers to <i>Ordering Information</i> .	1

Maxim cannot assume responsibility for use of any circuitry other than circuitry entirely embodied in a Maxim product. No circuit patent licenses are implied. Maxim reserves the right to change the circuitry and specifications without notice at any time.

52 **Maxim Integrated Products, 120 San Gabriel Drive, Sunnyvale, CA 94086 408-737-7600**

## Looking for pricing, stock, or lifecycle information?

Click below to explore more details on WIN SOURCE:

- ⊖ [View MAX9258GCM/V+T on WIN SOURCE](#)
- ⊖ [Maxim Integrated Information](#)

## Optimize Your Supply Chain with WIN SOURCE Solutions

- ✓ Global Sourcing Solution
- ✓ Obsolete Management
- ✓ Cost Control Management
- ✓ Shortage Management
- ✓ Alternative Solution
- ✓ Excess Inventory Management