



**THE DATASHEET OF**  
**10035691-022LF**



# PRODUCT NUMBERING

10035691 X X X XX

BLANK: PLATING TIN/LEAD  
LF: PLATING LEAD FREE

2: METAL CLIP A WITH TIN AT SOLDER TAIL  
3: METAL CLIP b WITH TIN AT SOLDER TAIL  
4: METAL CLIP B WITH G/F AT SOLDER TAIL  
5: METAL CLIP C WITH TIN AT SOLDER TAIL  
6: METAL CLIP D WITH G/F AT SOLDER TAIL  
7: METAL CLIP B WITH TIN AT SOLDER TAIL  
(30μ" [0.76μm] GOLD AT CONTACT)  
S: METAL CLIP B WITH TIN AT SOLDER TAIL  
5μ" GOLD AT CONTACT

0: TUBE PACKING  
1: T&R PACKING  
2: T&R WITH CAP (NOTE 6)  
3: TRAY WITH CAP (NOTE 6)

HOUSING  
0: BLACK  
1: BLUE

## NOTES:

1. MATERIAL
  - i) HOUSING : HIGH TEMPERATURE THERMOPLASTIC UL94V-0
  - ii) TERMINAL : COPPER ALLOY
  - iii) HOLD DOWN: COPPER ALLOY
2. FINISH
  - i) TERMINAL : 15μ" MIN Au PLATING AT CONTACT POINT  
100μ" MIN PURE MATT TIN OR GOLD FLASH PLATING AT  
SOLDER TAIL WITH NICKEL UNDERPLATE
  - ii) HOLD DOWN : 100-200μ" PURE MATT TIN PLATING
3. P/N 10035691-XXXLF, THE HOUSING WILL WITHSTAND EXPOSURE TO 260°C  
PEAK TEMPERATURE FOR 10 SECONDS IN A REFLOW SOLDER APPLICATION WITH  
1.6mm MIN THICK CIRCUIT BOARD
4. PACKAGING SPEC: GS-14-840
5. PRODUCT SPEC : GS-12-194.
6. PRODUCT SPEC : 110-634 FOR 10035691-033LF, -023LF ONLY.
7. ALTERNATIVE PRODUCT SPEC. GS-12-200 (FOR CABLE APPLICATION).

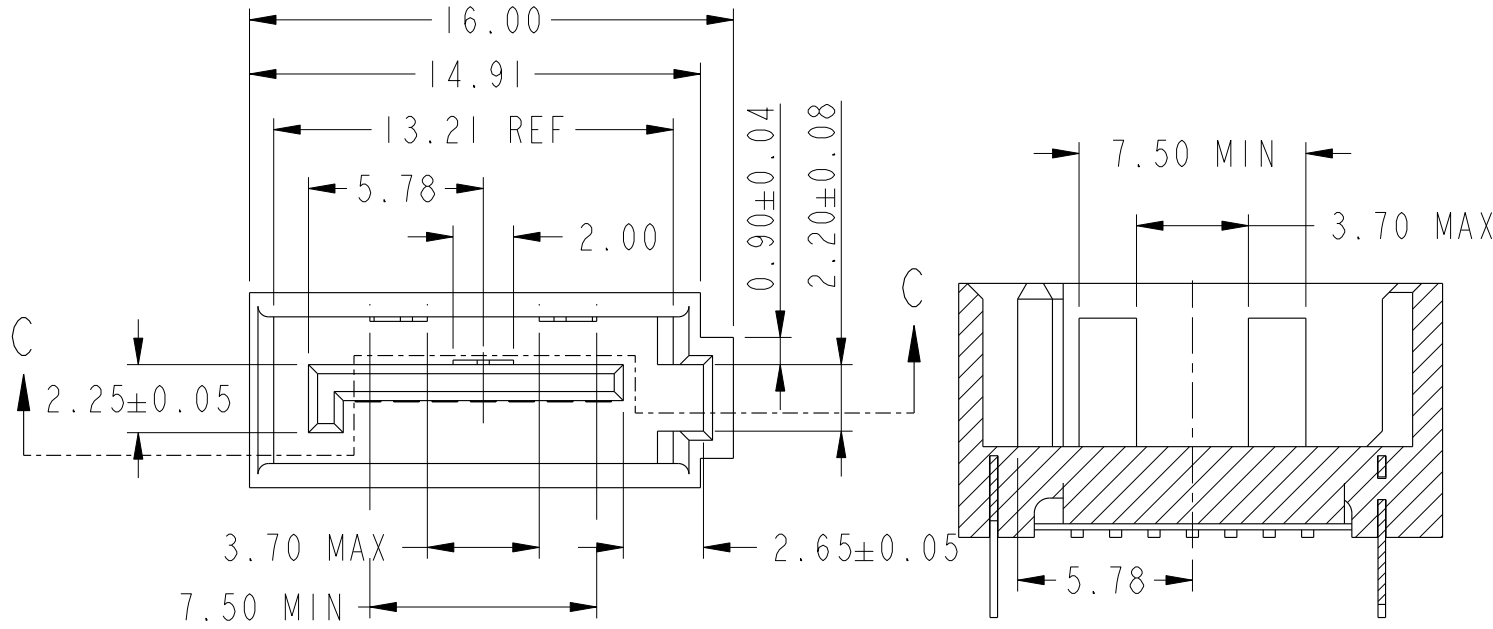
Amphenol  
FCi

© 2016 AFCI

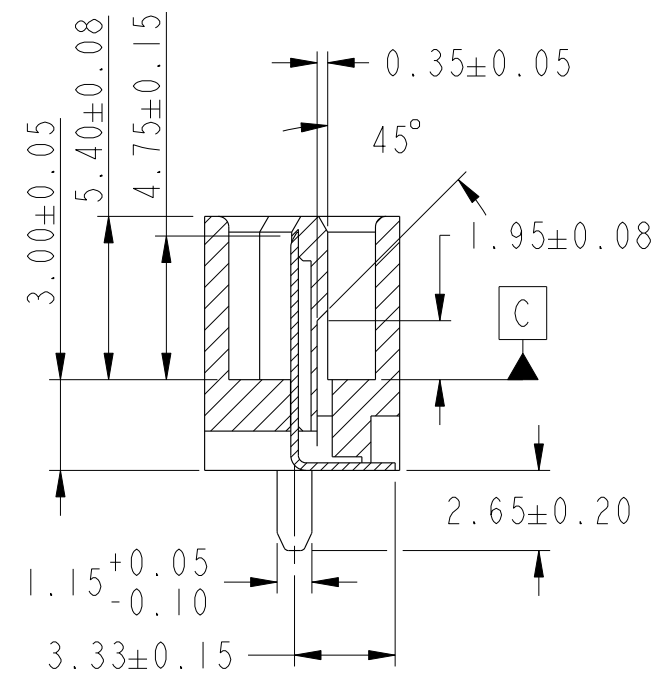
spec ref	-			dr	WADE LIU	2005-09-09	projection	mm	size	A3	scale	4:1
tolerance std	TOLERANCES UNLESS OTHERWISE SPECIFIED			eng	WADE LIU	2005-09-09		←→	ecn no			ELX-S-29996-1
-				chr	WADE LIU	2005-09-09			rel level			Released
surface	linear	0.X	±0.30	Amphenol FCi	S-ATA SIGNAL PLUG		product family	-	dwg no	10035691	rev	J
-		0.XX	±0.20		SMT VERTICAL TYPE ASSY							
-	angular	0°	±2°		cat. no.	-	Product - Customer Drw	sheet 1 of 3				

Amphenol  
FCi

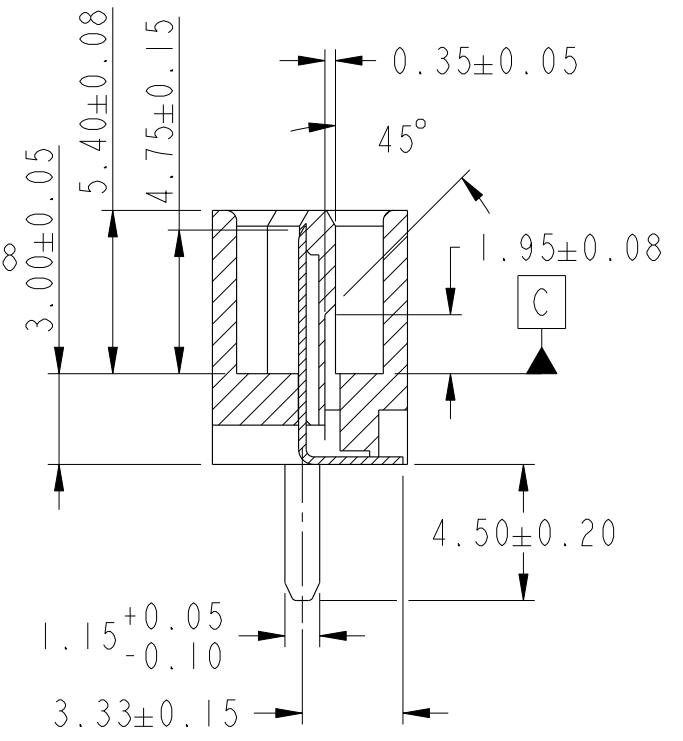
© 2016 AFCI



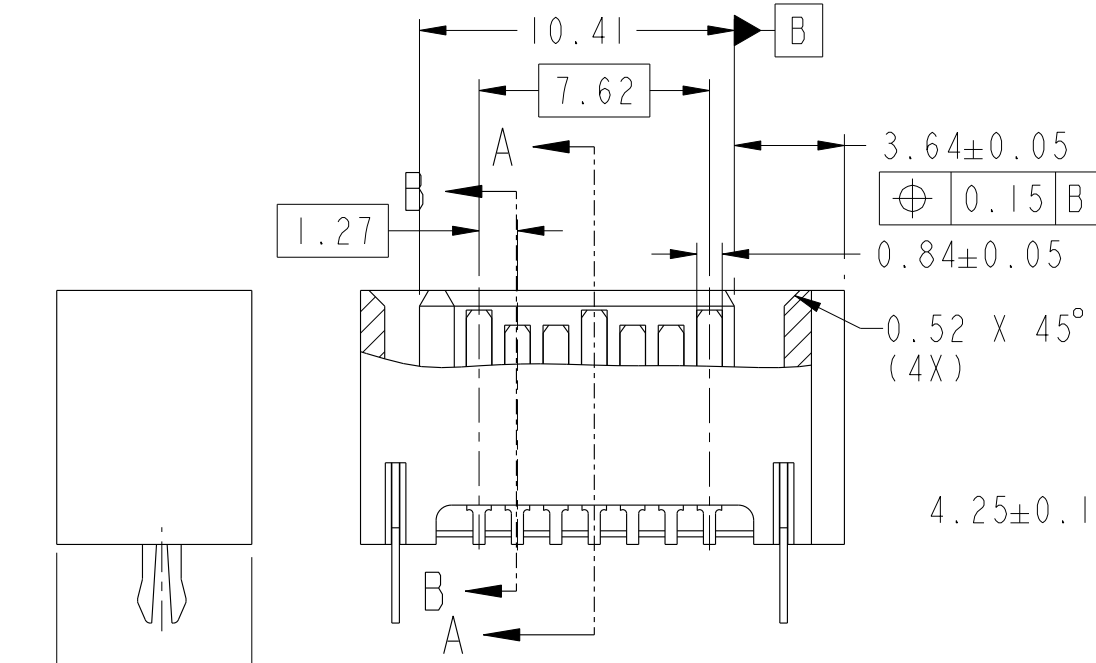
SECTION C-C



SECTION A-A  
METAL CLIP B

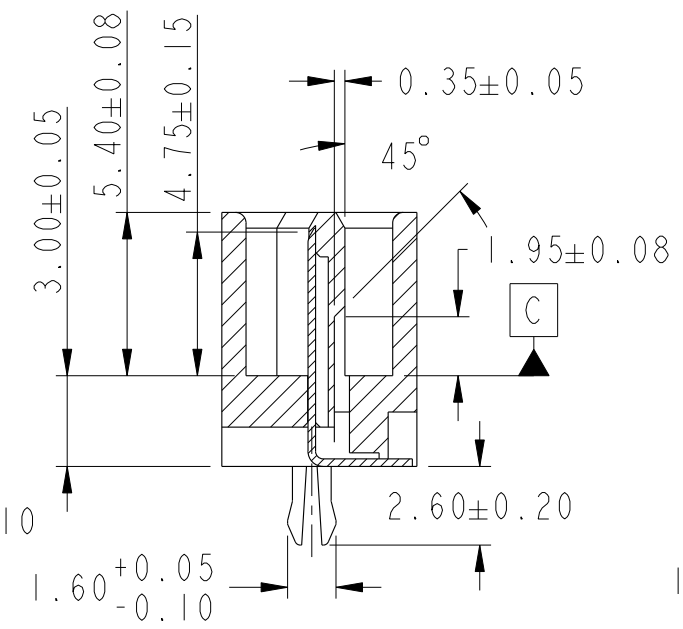


SECTION A-A  
METAL CLIP D

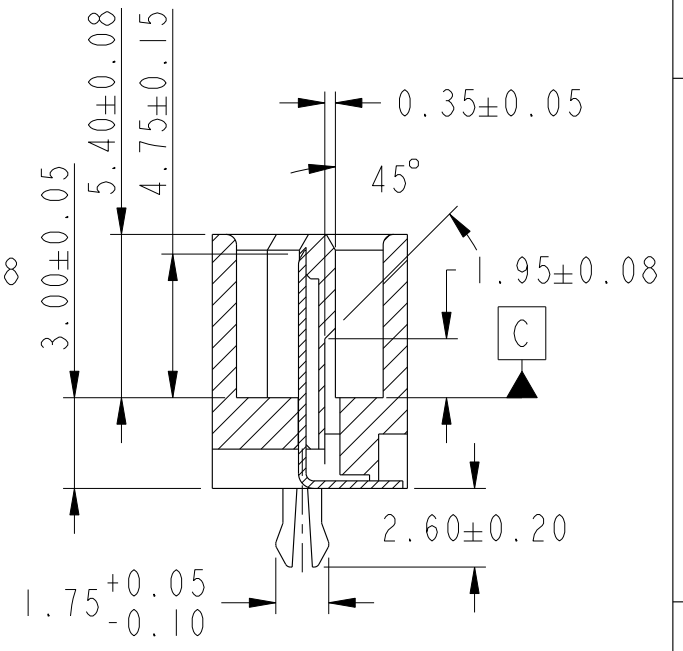


SECTION D-D

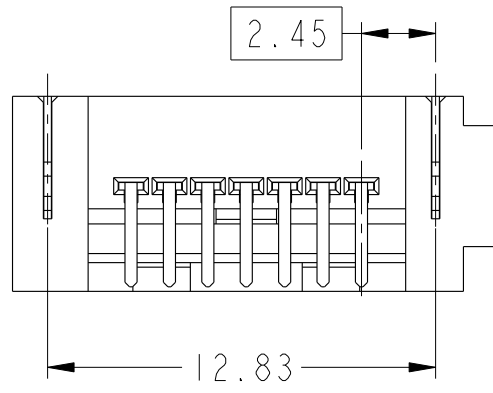
SECTION B-B



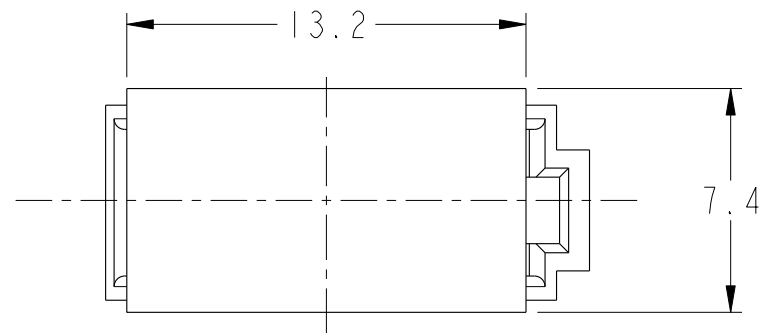
SECTION A-A  
METAL CLIP A



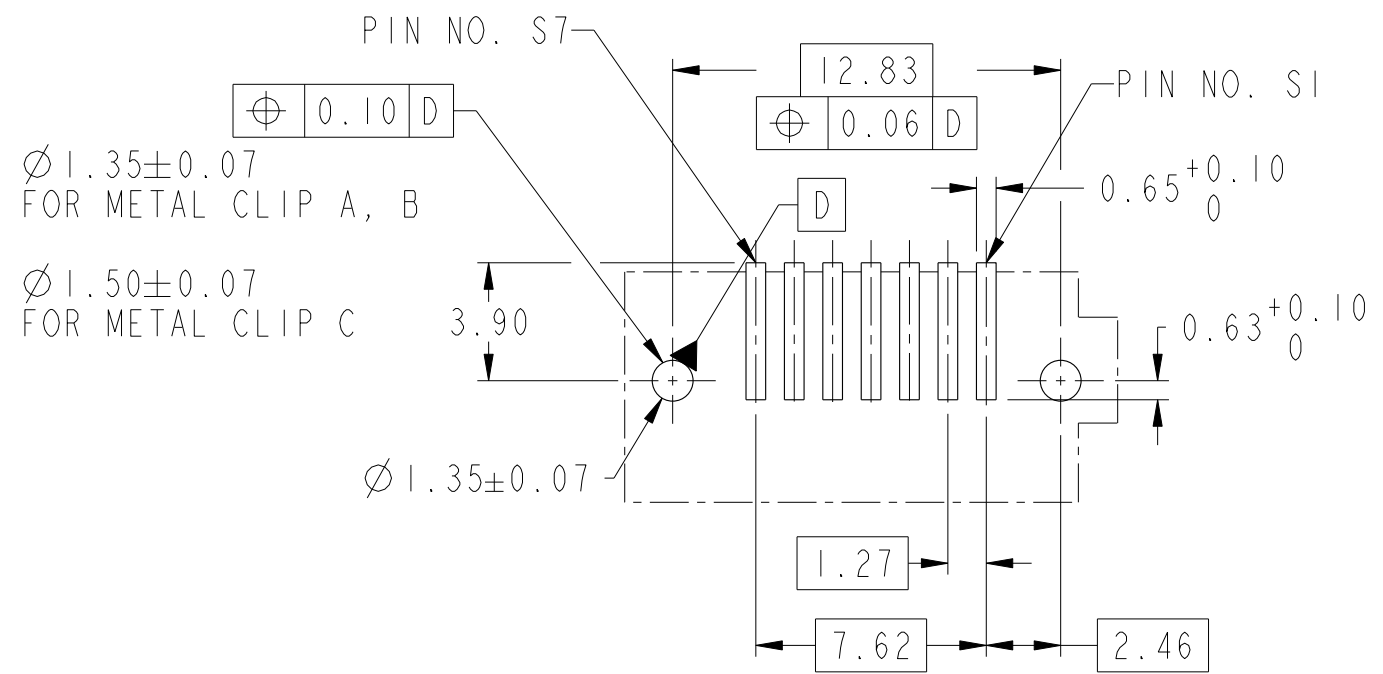
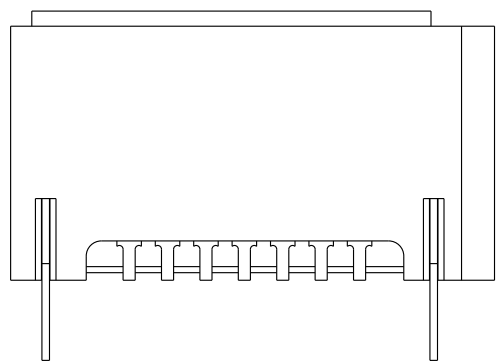
SECTION A-A  
METAL CLIP C



spec ref	-	dr	WADE LIU	2005-09-09	projection	mm	size	A3	scale	4:1
tolerance std	TOLERANCES UNLESS OTHERWISE SPECIFIED	eng	WADE LIU	2005-09-09			ecn no	ELX-S-29996-1	rel level	Released
-		chr	WADE LIU	2005-09-09						
surface	linear	0.X	±0.30	<b>Amphenol FCi</b>	title S-ATA SIGNAL PLUG SMT VERTICAL TYPE ASSY	cat. no. -	Product - Customer Drw	sheet 2 of 3	rev J	
-	0.XX	±0.20								
-	0.XXX	±0.10								
-	angular	0°	±2°							



PRODUCT WITH CAP FOR T & R PACKING



RECOMMENDED MOUNTING LAYOUT  
 RECOMMENDED PCB T = 1.60mm  
 TOLERANCE UNLESS OTHERWISE :  $\pm 0.1$

Amphenol  
FCi

© 2016 AFCI

spec ref	-	dr	WADE LIU	2005-09-09	projection	mm	size	A3	scale	4:1						
tolerance std	TOLERANCES UNLESS OTHERWISE SPECIFIED	eng	WADE LIU	2005-09-09			ecn no	ELX-S-29996-1	rel level	Released						
-		chr	WADE LIU	2005-09-09												
-		appr	STERLING LIN	2005-09-09	product family	-										
surface	<table border="1"> <tr> <td rowspan="3">linear</td> <td>0.X</td> <td><math>\pm 0.30</math></td> </tr> <tr> <td>0.XX</td> <td><math>\pm 0.20</math></td> </tr> <tr> <td>0.XXX</td> <td><math>\pm 0.10</math></td> </tr> <tr> <td>angular</td> <td>0°</td> <td><math>\pm 2^\circ</math></td> </tr> </table>	linear	0.X	$\pm 0.30$	0.XX	$\pm 0.20$	0.XXX	$\pm 0.10$	angular	0°	$\pm 2^\circ$		S-ATA SIGNAL PLUG SMT VERTICAL TYPE ASSY		dwg no 10035691	rev J
linear	0.X		$\pm 0.30$													
	0.XX		$\pm 0.20$													
	0.XXX	$\pm 0.10$														
angular	0°	$\pm 2^\circ$														
-		cat. no.	-	Product - Customer Drw	sheet 3 of 3											

## Looking for pricing, stock, or lifecycle information?

Click below to explore more details on WIN SOURCE:

 [View 10035691-022LF on WIN SOURCE](#)

 [Amphenol FCI Information](#)

## Optimize Your Supply Chain with WIN SOURCE Solutions

-  Global Sourcing Solution
-  Obsolete Management
-  Cost Control Management
-  Shortage Management
-  Alternative Solution
-  Excess Inventory Management