



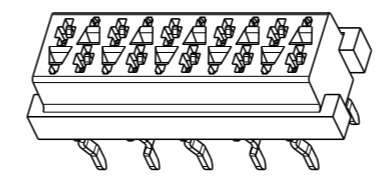
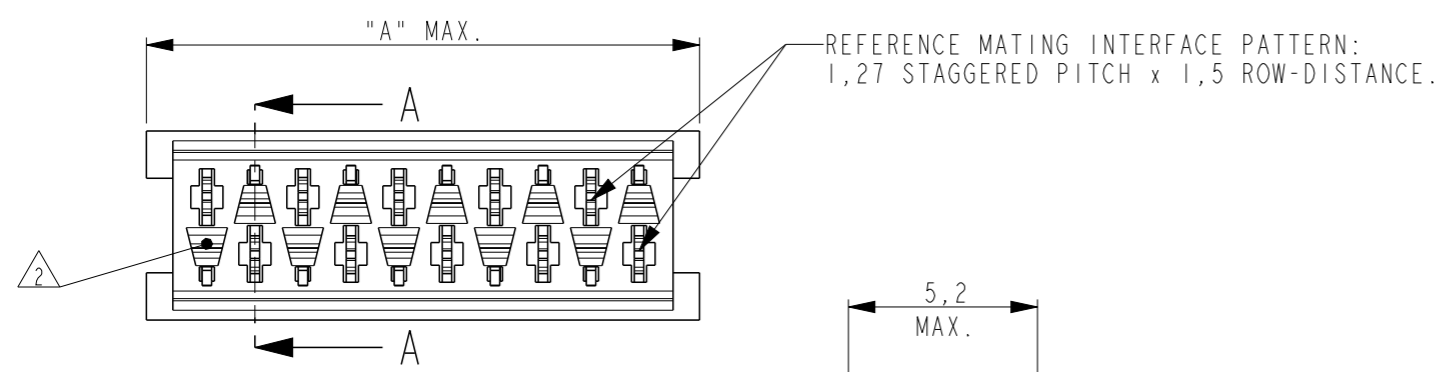
THE DATASHEET OF
7-215079-6



THIS DRAWING IS UNPUBLISHED. RELEASED FOR PUBLICATION
 © COPYRIGHT - BY - ALL RIGHTS RESERVED.

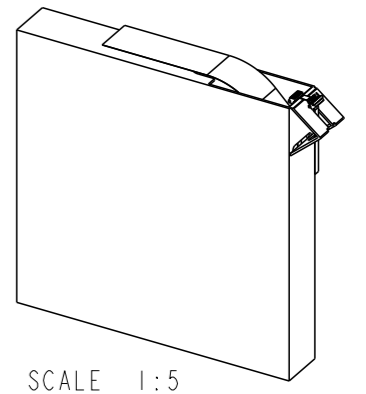
REVISIONS

P	LTR	DESCRIPTION	DATE	DWN	APVD
	Y1	ADHESIVE TAPE WIDTH DIMENSION REMOVED	04FEB2016	SS	PS



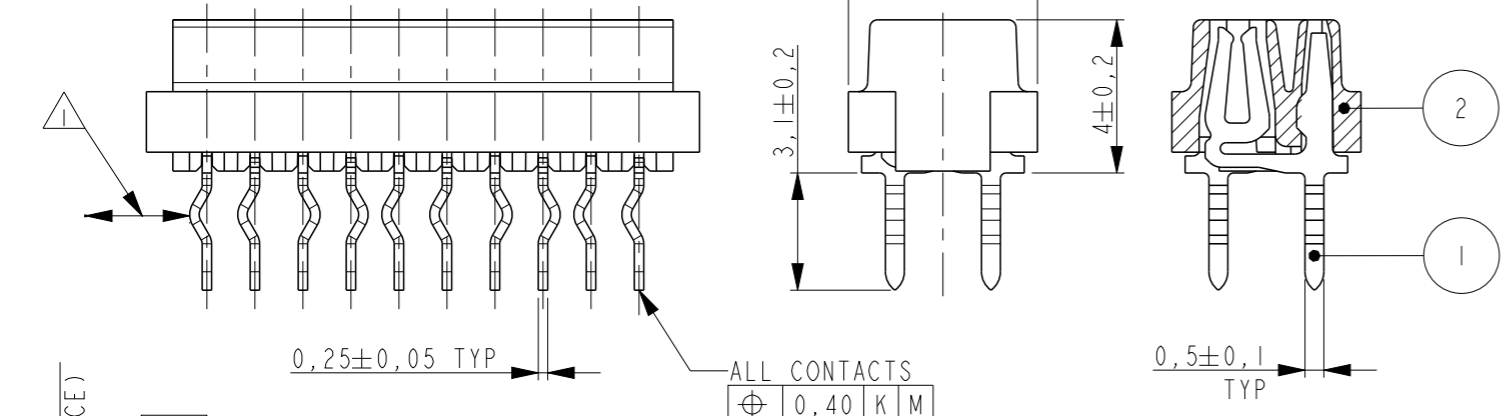
SCALE 3:1

PARTNUMBER BOX PACKAGING	PARTNUMBER REEL PACKAGING	NR OF POS "n"	DIMENSION "A" MAX
7-215079-4	215079-4	4	7,1
7-215079-6	215079-6	6	9,7
7-215079-8	215079-8	8	12,2
8-215079-0	1-215079-0	10	14,7
8-215079-2	1-215079-2	12	17,3
8-215079-4	1-215079-4	14	19,8
8-215079-6	1-215079-6	16	22,4
8-215079-8	1-215079-8	18	24,9
9-215079-0	2-215079-0	20	27,4

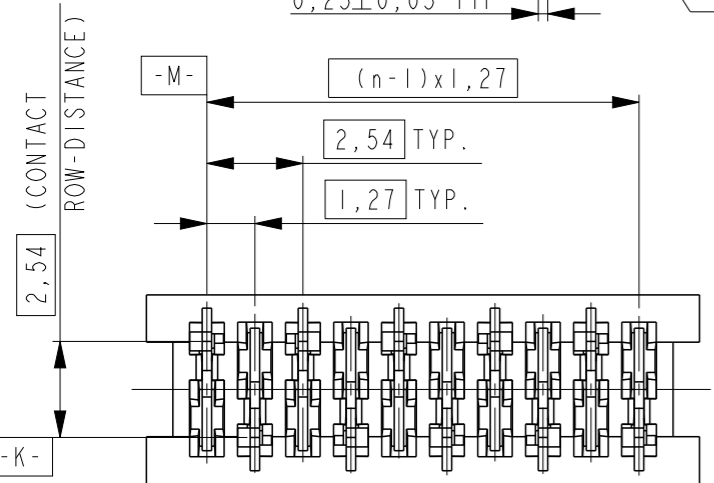


SCALE 1:5

BOX PACKAGING
250 CONNECTORS PER BOX
FOR ALL PARTNUMBERS



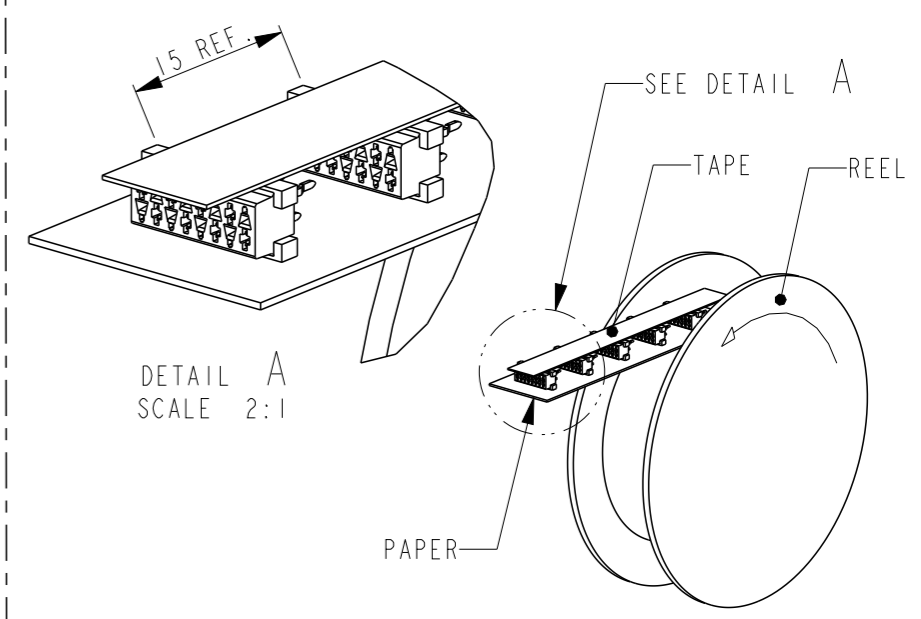
SECTION A-A



ALL CONTACTS
⊕ 0,40 K M

NOTES:

- 1 IN EACH ROW, DIRECTION OF KINKS STARTS RANDOM. IN EACH ROW, SEQUENTIAL CONTACTS HAVE OPPOSITE KINK DIRECTIONS.
- 2 CORING-OUTS FOR MANUFACTURING PURPOSE ONLY. SHAPE MAY VARY, BUT IS NOT FUNCTIONAL FOR THE APPLICATION.
- 3 SHOWN IS A 10 POSITION CONNECTOR.

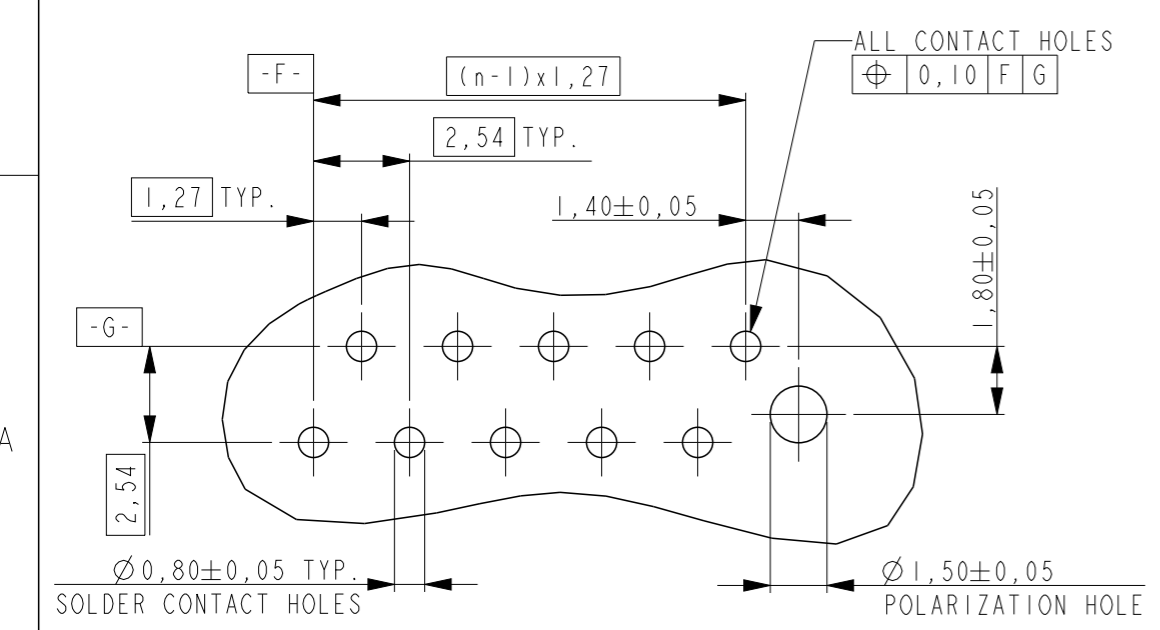


DETAIL A
SCALE 2:1

REEL PACKAGING
DEREELING DIRECTION AND CONNECTOR POSITION
2500 CONNECTORS PER REEL FOR ALL PARTNUMBERS

ITEM NO.	COMPONENT DESCRIPTION	MATERIAL	FINISH / COLOR
2	FEMALE HOUSING	G.F. POLYESTER PBT	RED
1	FEMALE CONTACT	PHOSPHOR BRONZE	TIN OVER NICKEL

PC-BOARD HOLE LAYOUT
(COMPONENT SIDE OF BOARD SHOWN)



THIS DRAWING IS A CONTROLLED DOCUMENT.		DWN M. GOSSELINK		
DIMENSIONS: mm		CHK -		
TOLERANCES UNLESS OTHERWISE SPECIFIED:		APVD -		
0 PLC ±- 1 PLC ±- 2 PLC ±- 3 PLC ±- 4 PLC ±- ANGLES ±-		PRODUCT SPEC 108-19052		
MATERIAL SEE TABLE		FINISH SEE TABLE	NAME CONNECTOR, FEMALE-ON-BOARD TOP-ENTRY, THRU-HOLE, Micro-MatCh	
-		-	SIZE A3	RESTRICTED TO -
-		-	CAGE CODE -	DRAWING NO. C-215079
-		-	WEIGHT -	SCALE 5:1
-		-	CUSTOMER DRAWING	SHEET 1 OF 1

Looking for pricing, stock, or lifecycle information?

Click below to explore more details on WIN SOURCE:

 [View 7-215079-6 on WIN SOURCE](#)

 [TE Connectivity](#) Information

Optimize Your Supply Chain with WIN SOURCE Solutions

-  Global Sourcing Solution
-  Obsolete Management
-  Cost Control Management
-  Shortage Management
-  Alternative Solution
-  Excess Inventory Management