



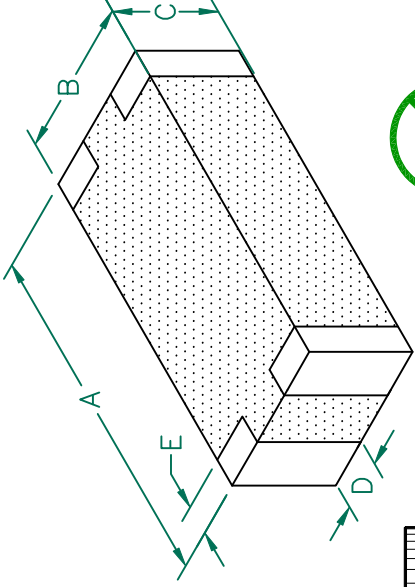
**THE DATASHEET OF  
CM3312R111R-10**



# CM3312R111R-10

## PHYSICAL DIMENSIONS:

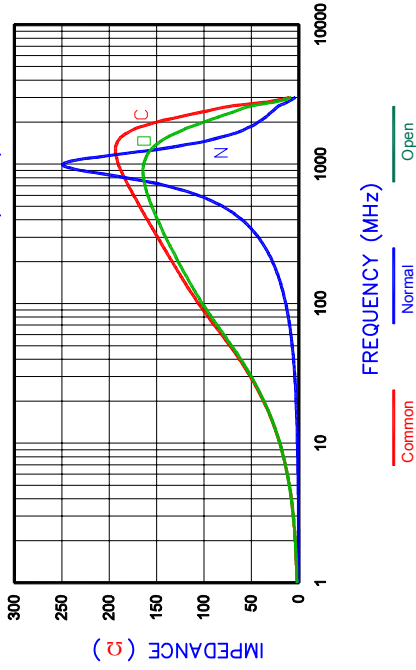
A	8.50	[.335]	± 0.25	[.010]
B	3.05	[.120]	± 0.25	[.010]
C	2.36	[.093]	± 0.25	[.010]
D	1.14	[.045]	± 0.13	[.005]
E	0.58	[.023]	± 0.18	[.007]



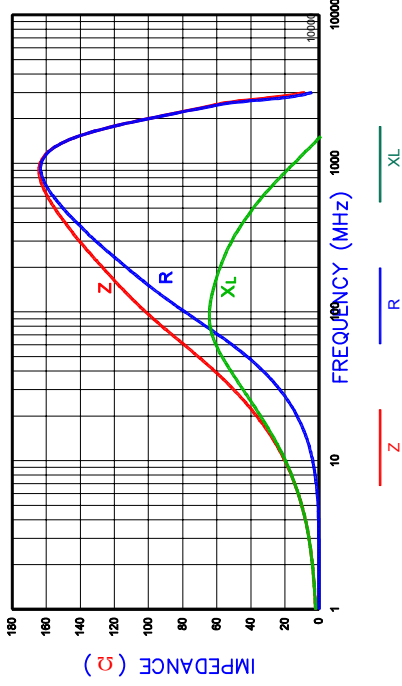
COMMON MODE ELECTRICAL CHARACTERISTICS	
COMMON MODE Z @ 100 MHz (Ω)	COMMON MODE Z @ 500 MHz (Ω)
Nominal	Nominal (F)
Minimum	Minimum
Maximum	Maximum

- NOTES: UNLESS OTHERWISE SPECIFIED:
- TAPED AND REELED PER MIL-STD-883C SPECIFICATIONS 13" REEL
  - COMPONENTS SHOULD BE PREHEATED BEFORE SOLDERING
  - U.S. PATENT 6,288,622
  - TERMINATION FINISH IS 62

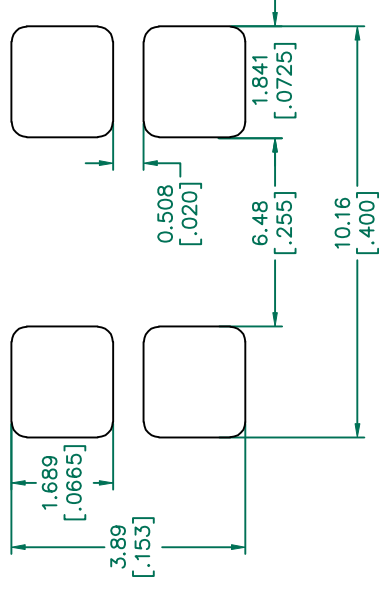
Z vs. FREQUENCY (C,N,O)



Z, R, XL vs. FREQUENCY

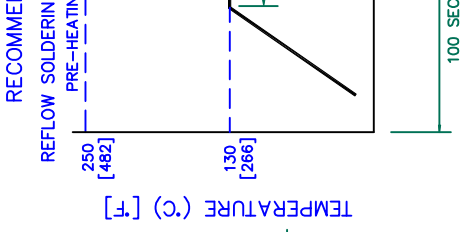


## LAND PATTERNS FOR REFLOW SOLDERING



DURING AND AFTER SOLDERING OPERATION SOLDER MUST NOT BE ALLOWED TO BRIDGE CONTACTS. CONTACT SEPARATION MUST BE MAINTAINED.

## TEMPERATURE (C) [F]



## RECOMMENDED REFLOW SOLDERING PRE-HEATING

THIS DOCUMENT IS CONFIDENTIAL. THIS DOCUMENT IS NOT TO BE WRITTEN AGAIN.	
DIMENSIONS ARE IN mm [INCHES].	
REV	DESCRIPTION
A	ORIGINAL DRAFT
DATE	DATE
07/27/05	INT
JRK	INT
PROJECT/PART NO	CM331
DATE	07/27/05
REV	CM331

## Looking for pricing, stock, or lifecycle information?

Click below to explore more details on WIN SOURCE:

- [View CM3312R111R-10 on WIN SOURCE](#)
- [Laird-Signal Integrity Products Information](#)

## Optimize Your Supply Chain with WIN SOURCE Solutions

- ✓ Global Sourcing Solution
- ✓ Obsolete Management
- ✓ Cost Control Management
- ✓ Shortage Management
- ✓ Alternative Solution
- ✓ Excess Inventory Management