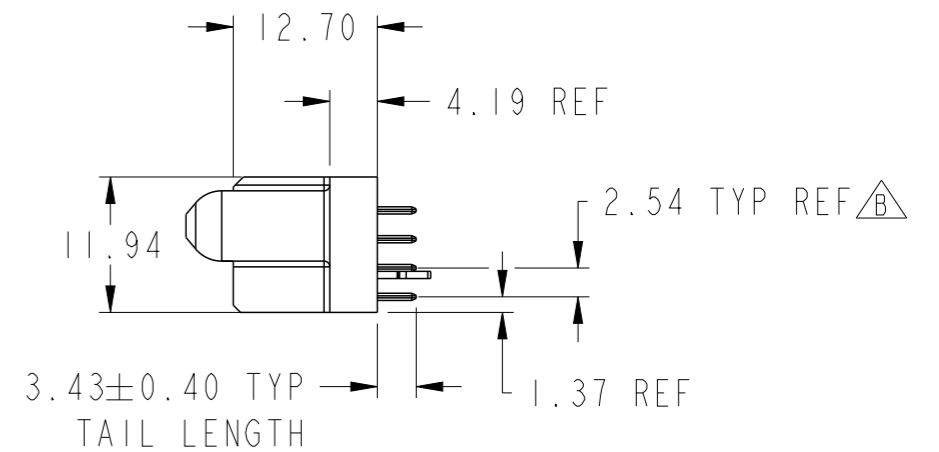
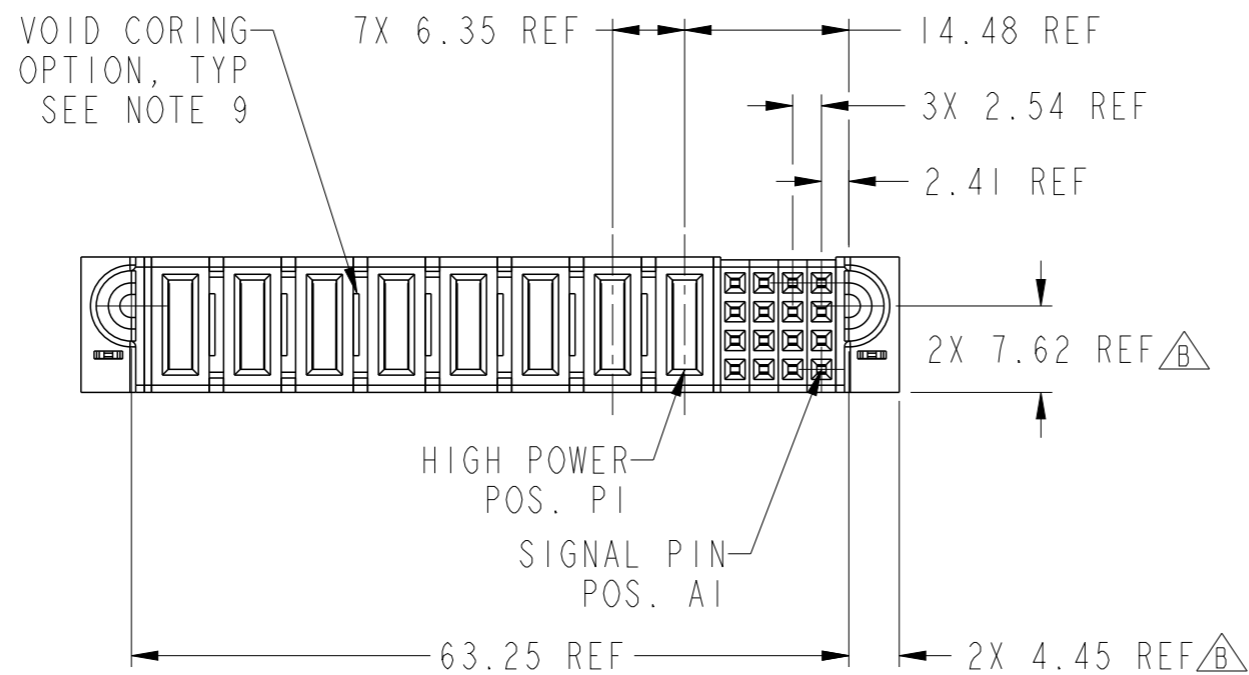
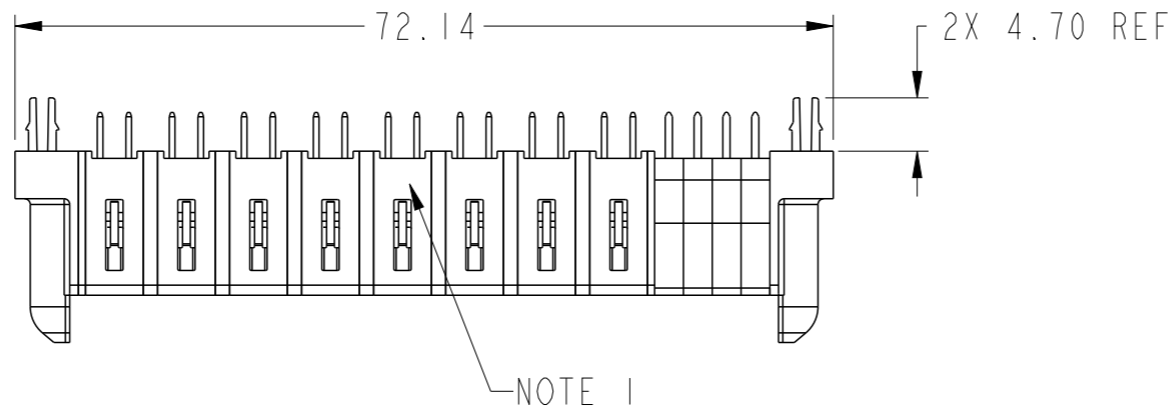
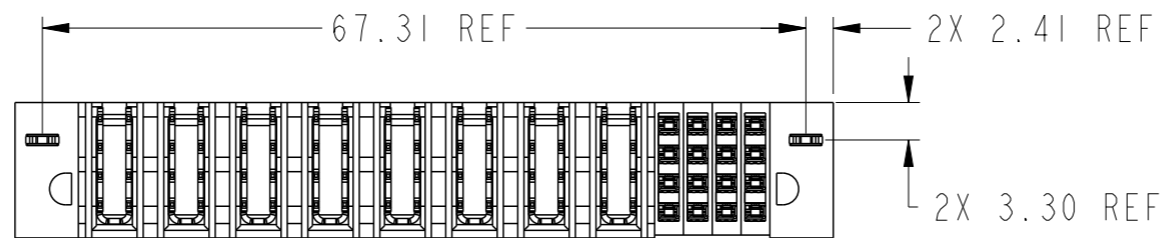




**THE DATASHEET OF  
10106130-8004001LF**



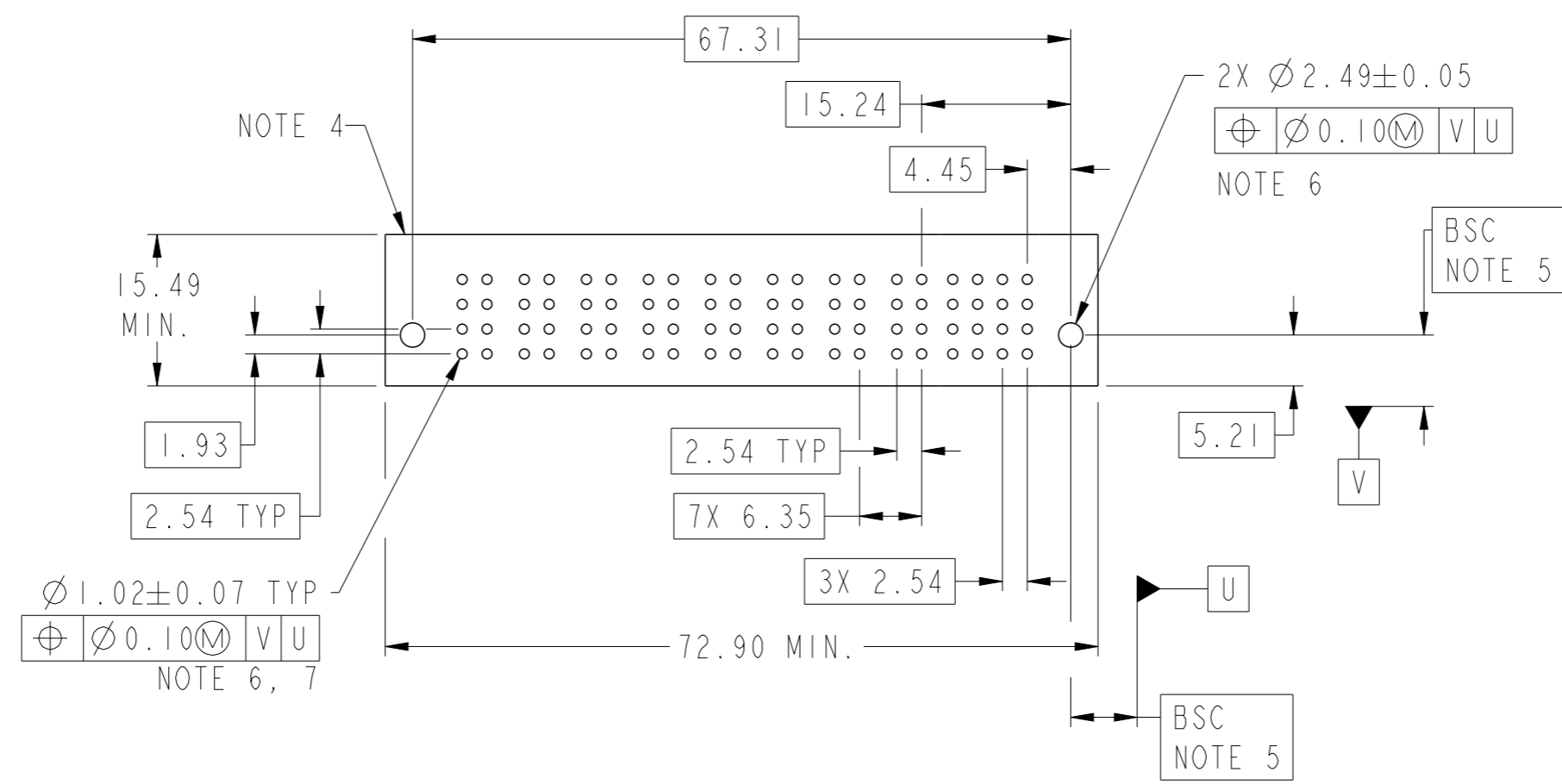
PRODUCT NUMBER SEE SHEET 2



spec ref		dr	Peng-Bing Fu	2012/08/09	projection	MM	size	A3	scale	3:2
tolerance std ASME Y14.5		TOLERANCES UNLESS OTHERWISE SPECIFIED			eng	Peng-Bing Fu	2012/11/12	ecn no	ELX-DG-013146-1	
surface ✓		linear		0.X	±0.50	chr	Tian-Xu Huang	2012/11/13	product family	PowerBlade+
				0.XX	±0.25					
ASME Y14.5		angular		0°	±2°	appr	Pei-Ming Zheng	2012/11/13	rel level	Released
				www.fci.com		cat. no.		16S + 8HP VT STB RECEPTACLE		rev
						Product - Customer Drw		sheet 1 of 3		10106130-8004001

PRODUCT NO.	ROWS	HIGH POWER										SIGNAL				
		E1	P8	P7	P6	P5	P4	P3	P2	P1	4	3	2	1	E2	
10106130-8004001LF	D C B A		H3	H3	H3	H3	H3	H3	H3	H3	H3	E	E	E	E	

CODE	DESCRIPTION
E	STD SIGNAL CONTACT
H3	STD HIGH POWER CONTACT (3.43)
HA	METAL HOLD DOWN



Copyright FCI.

dr	Peng-Bing Fu	2012/08/09	projection	MM	size	A3	scale	3:2	
eng	Peng-Bing Fu	2012/11/12		← →	ecn no	ELX-DG-013146-1			
chr	Tian-Xu Huang	2012/11/13				product family	PowerBlade+	rel level	Released
appr	Pei-Ming Zheng	2012/11/13	www.fci.com		title	16S + 8HP VT STB RECEPTACLE		rev	B
cat. no.			Product - Customer Drw			sheet 2 of 3			

A

B

C

D


A

B

C

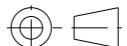
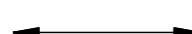
D

NOTES:

- 1) "FCI", PART NUMBER AND DATE CODE TO BE MARKED ON THIS SURFACE.  
THE MARK CAN BE OMITTED IF THERE IS NOT ENOUGH SPACE ON THIS SURFACE.
- 2) MATERIALS:  
-HOUSING - GLASS FILLED WITH HIGH TEMP THERMOPLASTIC, UL94V-0.  
-SIGNAL CONTACT - COPPER ALLOY.  
-POWER CONTACT - HIGH CONDUCTIVITY COPPER ALLOY.
- 3) PLATING SPECIFICATION REFER TO FCI 10116351
- 4) DENOTES CONNECTOR KEEP OUT ZONE.
- 5) DATUM AND BASIC DIMENIONS WERE ESTABLISHED BY CUSTOMER.
- 6) ALL HOLE DIAMETERS ARE FINISHED HOLE SIZES.
- 7) 1.15 ± 0.025MM DRILLED HOLE PLATED WITH 0.00762MM MIN Sn  
OVER 0.0254-0.0762MM Cu PLATING TO ACHIEVE A 1.02 ± 0.07MM HOLE.
- 8) PRODUCT SPECIFICATION REFER TO FCI GS-12-658.  
APPLICATION SPECIFICATION REFER TO FCI GS-20-141.  
PRODUCT PACKAGED IN TRAYS, REFER TO FCI GS-14-1502.
- 9) THE VOID CORING IN BETWEEN POWER MODULES, SIGNAL  
MODULES AND END MODULES ARE OPTIONAL AND THE SHAPE  
MAY BE DIFFERENT FOR OPTIMIZE THE MOLDING PROCESS. THE  
VOID CORING WILL NOT EFFECT TO PRODUCT FUNCTION.
- 10) A  SYMBOL WILL BE NEXT TO ANY DIMENSION, VIEW, OR NOTE  
WHICH HAS BEEN MODIFIED WITH THE CURRENT DRAWING REVISION.



Copyright FCI.

dr	Peng-Bing Fu	2012/08/09	projection 	MM 	size	A3	scale	1:1
eng	Peng-Bing Fu	2012/11/12			ecn no	ELX-DG-013146-1		
chr	Tian-Xu Huang	2012/11/13			product family	PowerBlade+	rel level	Released
appr	Pei-Ming Zheng	2012/11/13			title	16S + 8HP		rev
						dwg no	10106130-8004001	
						cat. no.	Product - Customer Drw	
								sheet 3 of 3

## Looking for pricing, stock, or lifecycle information?

Click below to explore more details on WIN SOURCE:

 [View 10106130-8004001LF on WIN SOURCE](#)

 [Amphenol FCI Information](#)

## Optimize Your Supply Chain with WIN SOURCE Solutions

-  Global Sourcing Solution
-  Obsolete Management
-  Cost Control Management
-  Shortage Management
-  Alternative Solution
-  Excess Inventory Management