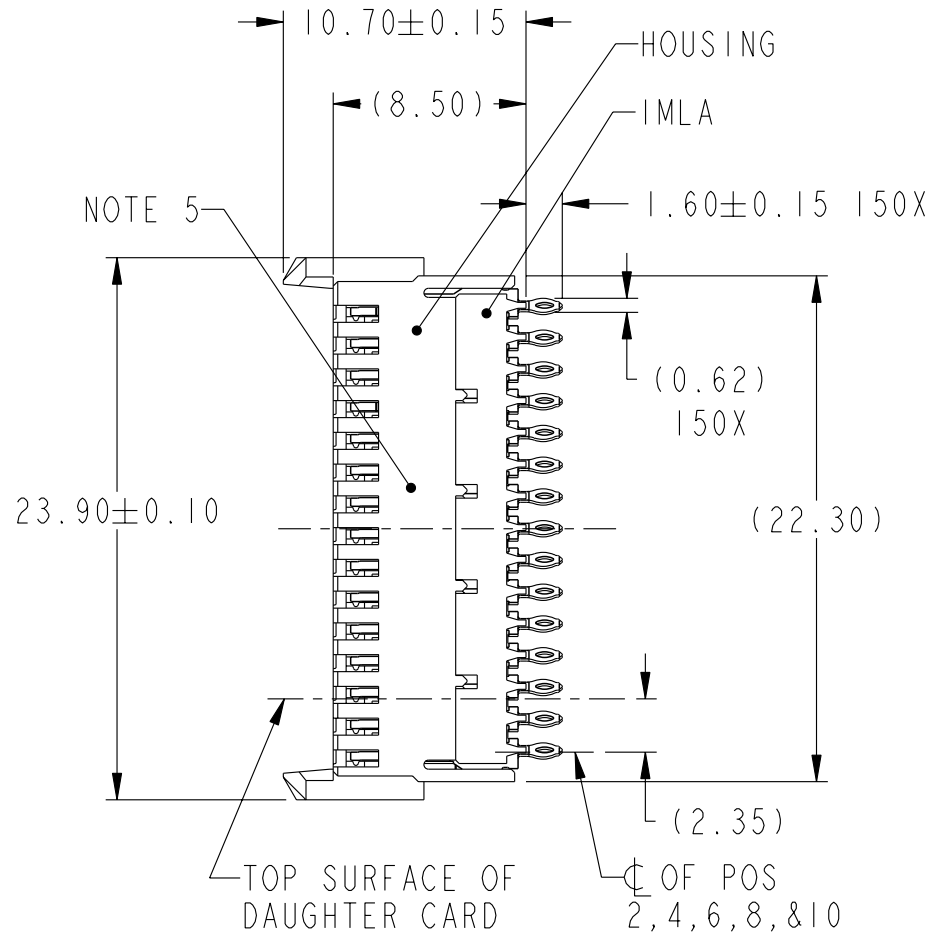
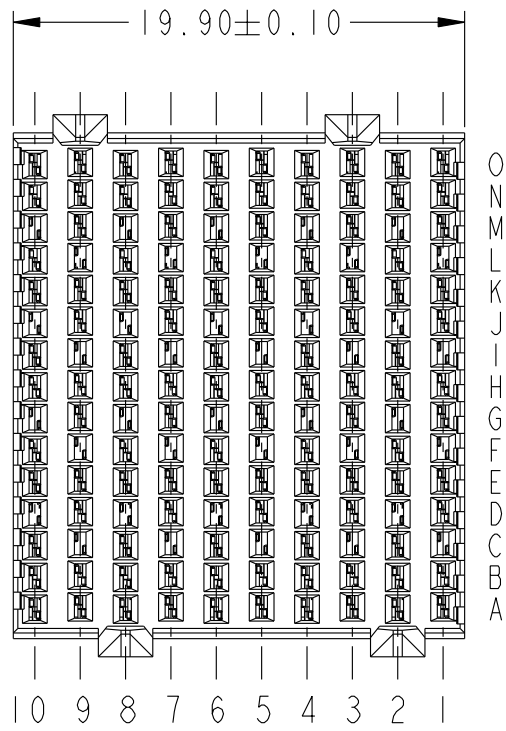




THE DATASHEET OF
10016537-101LF



PRODUCT NUMBER
SEE TABLE, SHEET 4



Copyright FCI.

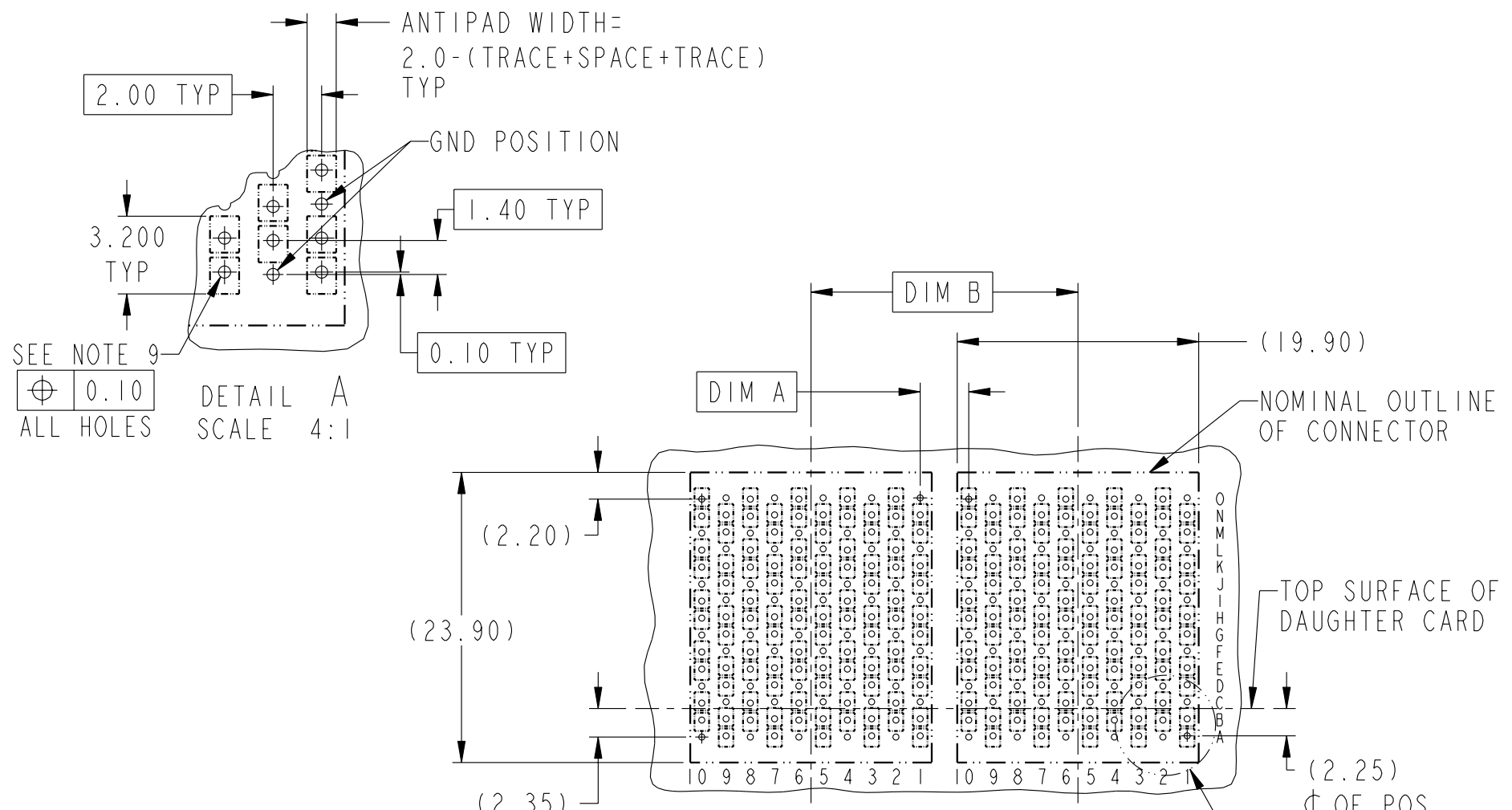
| rev | ecn no | dr | date |
|-----|----------|-----|------------|
| A | V04-1026 | DAB | 2004-10-13 |
| B | V04-1120 | DAB | 2004-11-09 |
| C | V04-1194 | DAB | 2004-12-27 |
| D | V05-0175 | TH | 2005-03-03 |
| E | V05-0218 | MRS | 2005-03-07 |
| F | V05-0748 | CH | 2005-08-23 |
| G | S07-0043 | LS | 2007-02-08 |

| | | | | | |
|--------------------|-------------|---------------------------------------|----------------------------|------------|----------|
| www.fciconnect.com | | surface - ASME Y14.5 | tolerance std - ASME Y14.5 | projection | MM |
| | | TOLERANCES UNLESS OTHERWISE SPECIFIED | | | |
| Dr | D. BUSH | 2004-10-13 | ANGULAR | 0.X | ± |
| Eng | B. MARSHALL | 2004-10-13 | LINEAR | 0.XX | ± |
| Chr | C. H. TAN | 2007-02-08 | 0° | 0.XXX | ± |
| Appr | JOEY NG | 2007-02-08 | Product family | AirMax VS | Spec ref |
| | | AirMax VS VERT RECPT ASSY | | size | A4 |
| | | PRESS-FIT, 150 POSITION, 20mm | | Scale | 3:1 |
| | | catalog no | - | ECN | *** |
| | | CUSTOMER | | RELEASED | |
| | | 10016537 | | Rev. | G |
| | | sheet 1 of 4 | | | |

REV F - 2006-04-17



Copyright FCI.



RECOMMENDED PCB LAYOUT
FOR DIFFERENTIAL APPLICATIONS,
COMPONENT SIDE
(TWO ADJACENT FOOTPRINTS SHOWN)
NOTES 6 & 7

| ADJACENT HEADER WIDTHS | DIM A | DIM B |
|------------------------|-------|-------|
| 20MM/20MM | 2.00 | 20.00 |
| 22MM/22MM | 4.00 | 22.00 |
| 20MM/22MM | 3.00 | 21.00 |

| | | | |
|--|---|--------------------|--------------|
| | title AirMax VS VERT RECPT ASSY PRESS-FIT, 150 POSITION, 20mm | dwg no 10016537 | Rev. G |
| | catalog no - | CUSTOMER | sheet 2 of 4 |

REV F - 2006-04-17

1

2

3

4

A

B

C

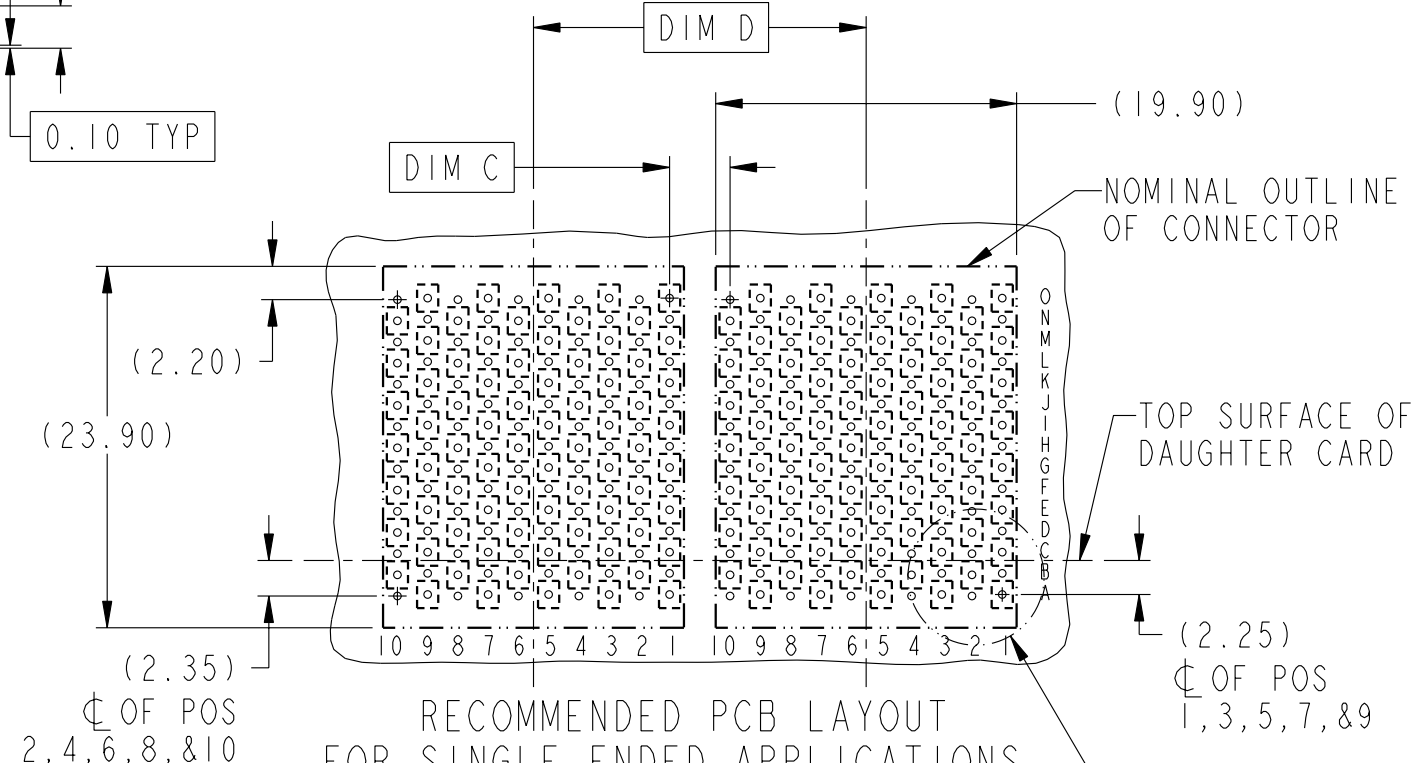
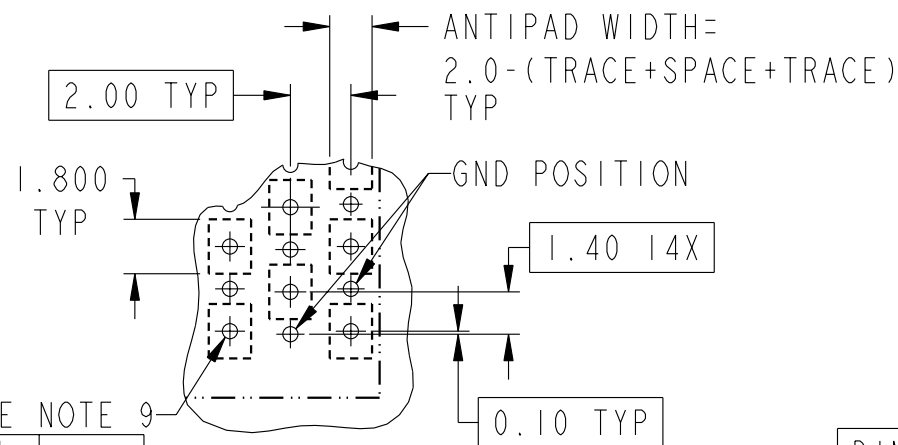
D

A

B

C

D



RECOMMENDED PCB LAYOUT
FOR SINGLE ENDED APPLICATIONS,
COMPONENT SIDE
(TWO ADJACENT FOOTPRINTS SHOWN)
NOTES 6 & 7

| ADJACENT HEADER WIDTHS | DIM C | DIM D |
|------------------------|-------|-------|
| 20MM/20MM | 2.00 | 20.00 |
| 22MM/22MM | 4.00 | 22.00 |
| 20MM/22MM | 3.00 | 21.00 |

| | | | |
|--|---|--------------------|--------------|
| | title AirMax VS VERT RECPT ASSY PRESS-FIT, 150 POSITION, 20mm | dwg no 10016537 | Rev. G |
| | catalog no - | CUSTOMER | sheet 3 of 4 |



Copyright FCI.

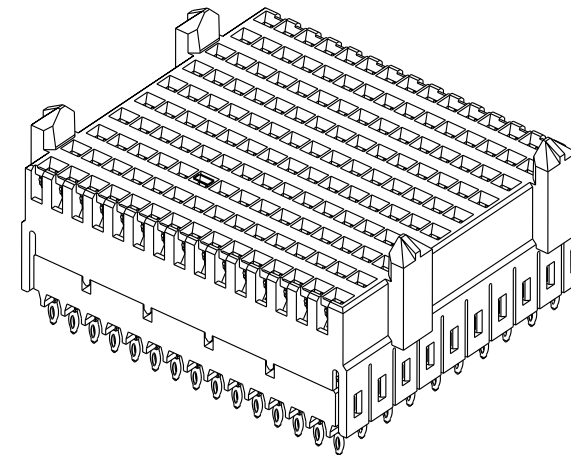
1

2

3

4

| | |
|----------------|-----------------------------|
| PART NUMBER | PRESS-FIT TAIL PLATING TYPE |
| 10016537-101 | TIN LEAD ALLOY OVER NICKEL |
| 10016537-101LF | TIN OVER NICKEL (LEAD FREE) |



NOTES:

1. CONNECTOR MATERIALS:
HOUSING & RETAINER: HIGH TEMP THERMOPLASTIC, NATURAL, UL94V-0
IMLA PLASTIC: HIGH TEMP THERMOPLASTIC, BLACK, UL94V-0
CONTACT: COPPER ALLOY
2. CONTACT PLATING:
SEPARABLE INTERFACE: PERFORMANCE-BASED PLATING, QUALIFIED TO MEET THE REQUIREMENTS OF FCI PRODUCT SPECIFICATION GS-12-239, INCLUDING TELCORDIA GR-1217-CORE (November 1995) CENTRAL OFFICE TEST SEQUENCE.

PRESS-FIT TAILS: SEE TABLE
3. PRODUCT SPECIFICATION: GS-12-239
4. APPLICATION SPECIFICATION: GS-20-035
5. PRODUCT MARKING, (PART NUMBER & LOT CODE), ON THIS SURFACE
6. REFER TO CUSTOMER DRAWING 10035911 FOR INFORMATION REGARDING PCB LAYOUT OF POWER AND GUIDE MODULES RELATIVE TO SIGNAL MODULES
7. POSITIONS F & L OF ODD NUMBERED COLUMNS AND POSITIONS G & M OF EVEN NUMBERED COLUMNS CORRESPOND TO EARLY MATE HEADER PINS
8. THERE IS NO GROUND BUSSING WITHIN THE CONNECTOR SYSTEM
9. REFER TO CUSTOMER DRAWING 10045979 FOR INFORMATION ON PCB HOLE DIAMETERS AND PLATING OPTIONS.
10. THIS PRODUCT MEETS EUROPEAN UNION DIRECTIVES AND OTHER COUNTRY REGULATIONS AS DESCRIBED IN GS-22-008.
11. THE HOUSING WILL WITHSTAND EXPOSURE TO 260°C PEAK TEMPERATURE FOR 40 SECONDS IN A CONVECTION, INFRA-RED OR VAPOR PHASE REFLOW OVEN.
12. PACKAGING MEETS GS-14-920 LEAD FREE LABELING SPECIFICATION.



Copyright FCI.

| | | | | | | |
|-----|------------|-------------------------------|--------|----------|--------------|---|
| FCI | title | AirMax VS VERT RECPT ASSY | dwg no | 10016537 | Rev. | G |
| | catalog no | PRESS-FIT, 150 POSITION, 20mm | - | CUSTOMER | sheet 4 of 4 | |

2

PDM: Rev:G

STATUS:Released

4 Printed: Nov 30, 2010

Looking for pricing, stock, or lifecycle information?

Click below to explore more details on WIN SOURCE:

 [View 10016537-101LF on WIN SOURCE](#)

 [Amphenol FCI Information](#)

Optimize Your Supply Chain with WIN SOURCE Solutions

-  Global Sourcing Solution
-  Obsolete Management
-  Cost Control Management
-  Shortage Management
-  Alternative Solution
-  Excess Inventory Management