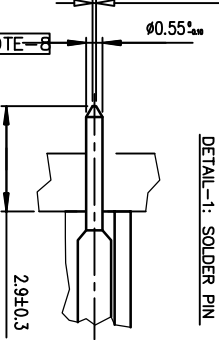


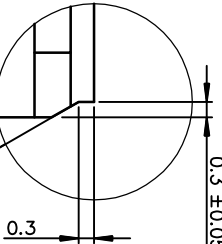
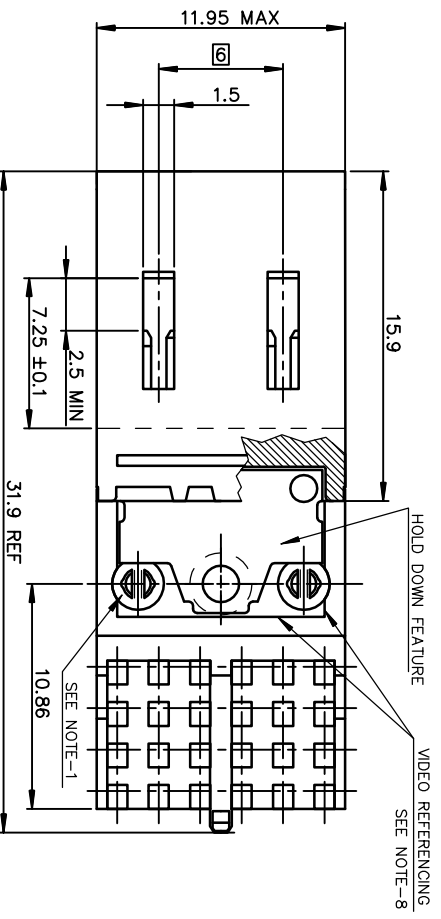
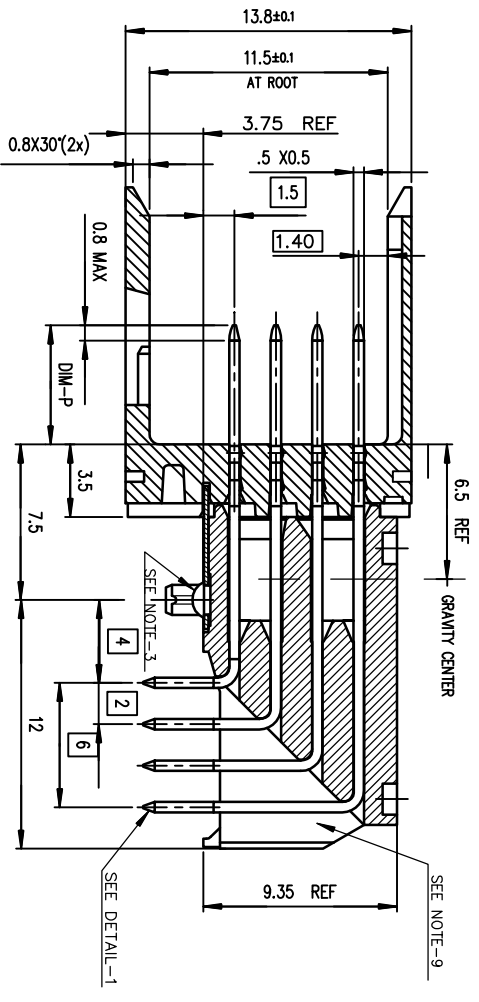


**THE DATASHEET OF  
10114942-101LF**





DETAIL-1: SOLDER PIN



DETAIL-2: PIP CHAMFER SCALE 10/1

OTHERS INFORMATION,SEE SHEET 2/3/4

www.fciconnect.com

Dr	Heaven Cen	2010/05/21	ANGULAR	0.X	±0.3	size	A3	Scale	4
Eng	Heaven Cen	2010/05/21	LINEAR	0.XX	±0.13				
Chr	PM Zhenq	2010/05/21	0.XX ±.2	0.XXX	±0.051	ECN			
Appr	Joseph Hsid	2010/05/21	Product family			METRAL Spec ref	-		

surface	ISO 1302	tolerance std	ISO 406 ISO 1101	projection	mm
TOLERANCES UNLESS OTHERWISE SPECIFIED					
tolerance	0.X	tolerance	±0.3	projection	A3
tolerance	0.XX	tolerance	±0.13	projection	4
tolerance	0.XXX	tolerance	±0.051	projection	

LEAD-FREE/PART NUMBER	PERFORMANCE LEVEL
10114942-1011LF	STANDARD P/N, See Prod. Spec GS-12-446

rev	ecn no	dr	date
A	0310-0186	CenH	2010/05/21

MODULE  
 = ±0.35 (X AND Y)  
 10 N  
 ECN CODE  
 -2-446  
 ASTIC EDGES

2

2

3

4

3

4

4

D

C

B

A

PDM: Rev:A

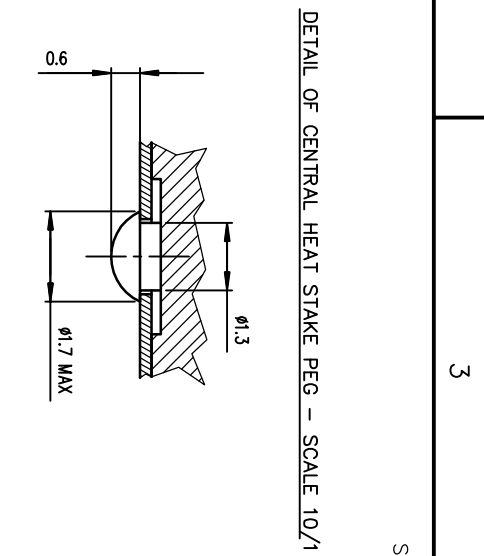
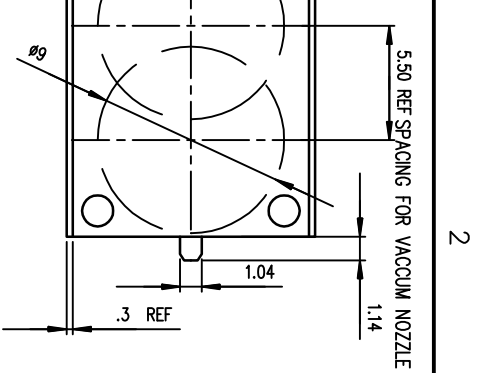
STATUS: Released

Printed: May 19, 2011



METRAL RA HDR PIP CONVERG  
 NB 4X6 - WITH HDF

10114942  
 CUSTOMER sheet 1 of 4



DETAIL OF CENTRAL HEAT STAKE PEG - SCALE 10/1

TABLE-2

PART NUMBER	CONTACT CODE CONFIGURATION						
	ROW	1	2	3	4	5	6
10114942-X011F	D	02	02	02	02	02	02
	C	02	02	02	02	02	02
	B	02	02	02	02	02	02
	A	02	02	02	02	02	02

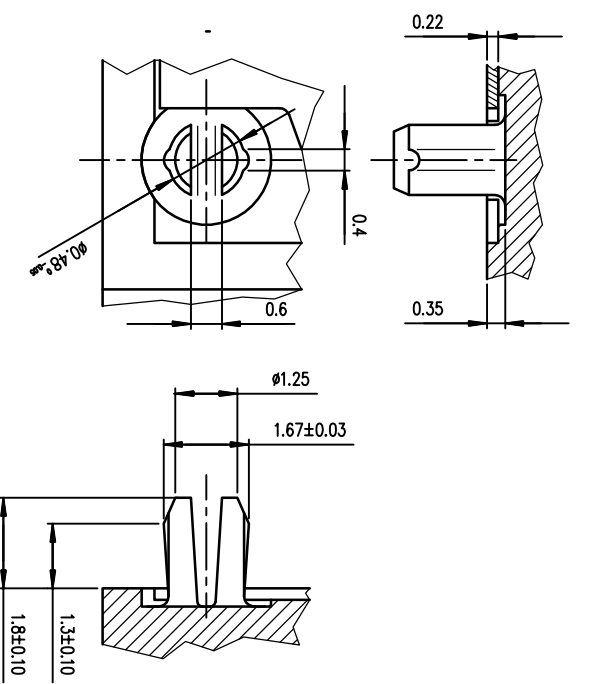


TABLE-1

CONTACT CODE	DIM-P
01	5.00
02	5.75
03	6.50
NO CONTACT	

DETAIL OF RETENTION PEGS (2x) SCALE 10/1

OTHERS INFORMATIONS,SEE DRW 1/-3/-4

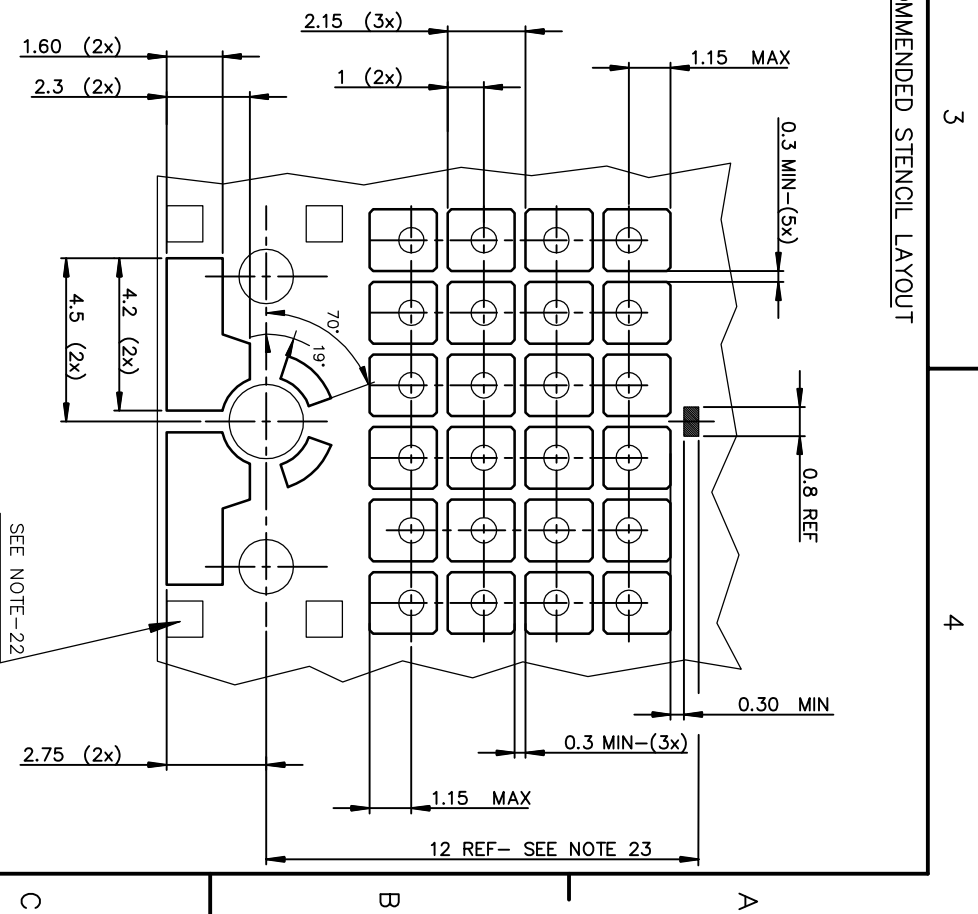
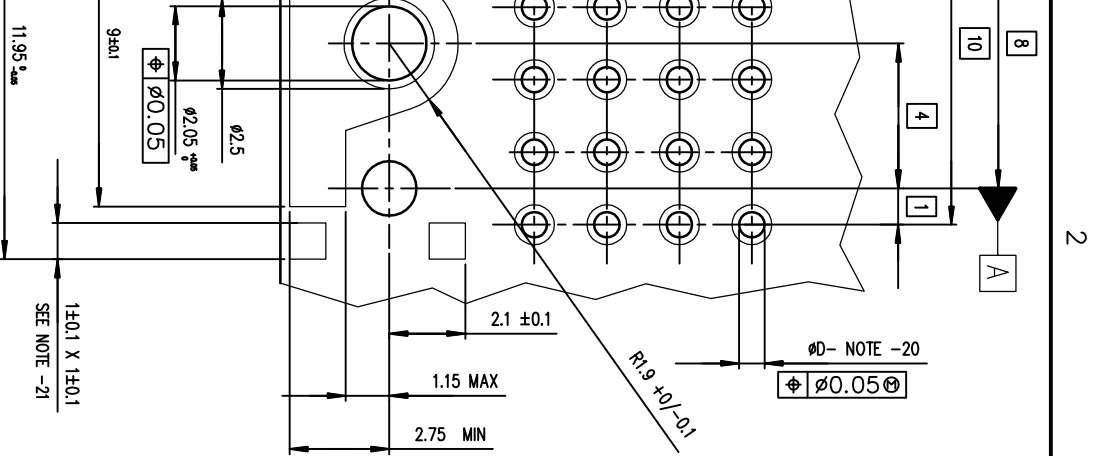
www.fciconnect.com		surface		tolerance std		projection		mm	
ISO 1302		✓		ISO 406 ISO 1101		mm		Scale	
TOLERANCES UNLESS OTHERWISE SPECIFIED		ANGULAR		±0.3		A3		4	
Dr	Heqven Cen	2010/05/21	0.X	±.2	±.0.3	ECN		Rev.	
Eng	Heqven Cen	2010/05/21	0.XX	±.2	±.0.13	METRAL Spec ref -		A	
Chr	PM Zhang	2010/05/21	0.XX	±.2	±.0.051	CUSTOMER sheet 2 of 4			
Appr	Joseph Hsio	2010/05/21	Product family	METRAL					



METRAL RA HDR PIP CONVERG  
NB 4X6 - WITH HDF

10114942





RECOMMENDED STENCIL LAYOUT

OTHERS INFORMATIONS,SEE DRW SHEET 1/2/4

www.fciconnect.com		surface		tolerance std		projection		mm	
ISO 1302		V		ISO 406 ISO 1101		⊕		mm	
TOLERANCES UNLESS OTHERWISE SPECIFIED		ANGULAR		±0.3		A3		Scale	
Dr	Heaven Cen	2010/05/21	LINEAR	0.X	±0.13	7			
Eng	Heaven Cen	2010/05/21	0.XX	0.XX	±0.051				
Chr	PM Zheng	2010/05/21	0.XX ±.2	0.XXX					
Appr	Joseph Hsiao	2010/05/21	Product family	METRAL	Spec ref				
FCI			METRAL RA HDR PIP CONVERG			CUSTOMER		10114942	
NB 4X6 - WITH HDF			Product family			sheet 3 of 4		Rev. A	

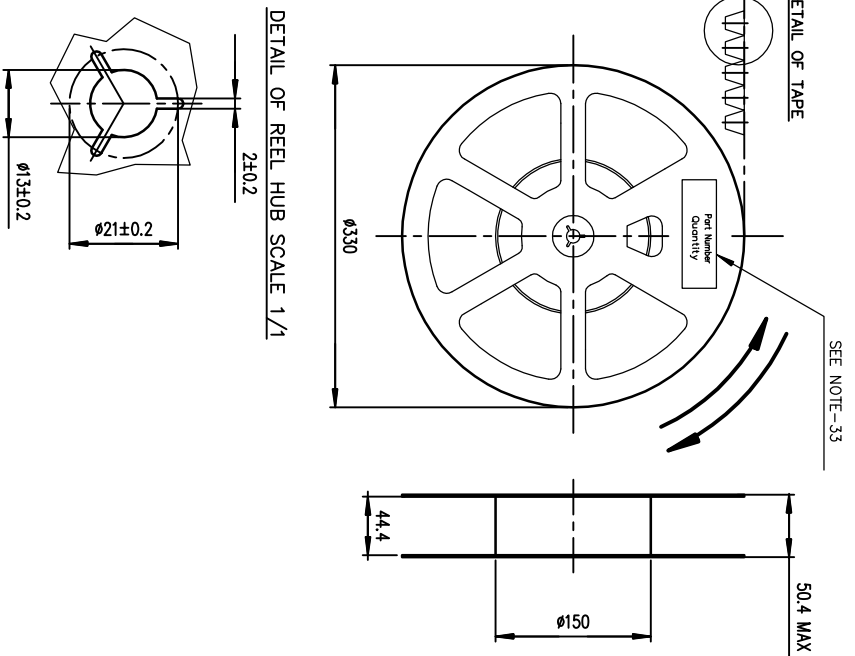
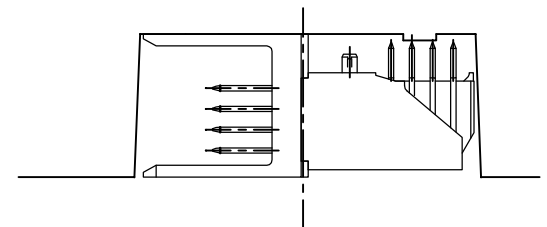
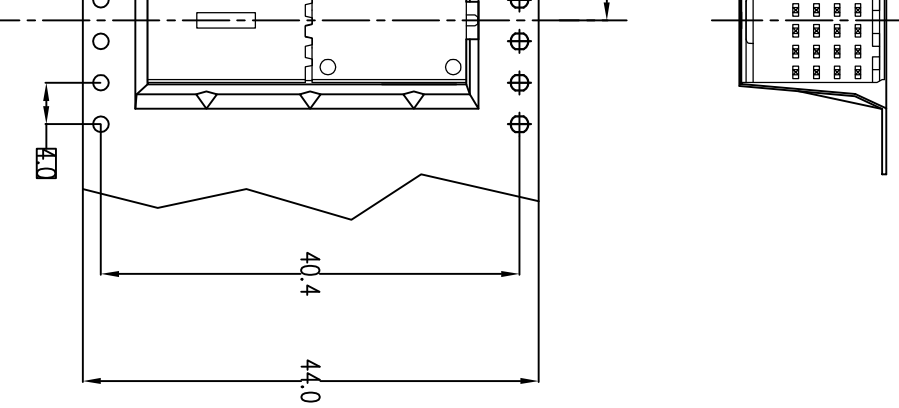
2

3

4

PACKAGING SPECIFICATION

DETAIL OF REEL SCALE 1/5



OTHERS INFORMATIONS,SEE DRW 58360 SHEET 1/2/3

European Views

INFORMATIONS/SQUARE AFTER HEAT FORMING  
E P/N:10097632-007

PLEASE REFER TO DRAWING OF 10097632

CODE, TRACABILITY INFORMATIONS  
TREATMENT

www.fciconnect.com

Dr	Heaven Cen	2010/05/21	ANGULAR	0.X	±0.3	projection	mm
Eng	Heaven Cen	2010/05/21	LINEAR	0.XX	±0.13	A3	Scale
Chr	PM Zheng	2010/05/21	0.XX ± 2	0.XXX	±0.051	ECN	2
Appr	Joseph Hsiao	2010/05/21	Product family			METRAL	Spec ref -



METRAL RA HDR PIP CONVERG  
NB 4X6 - WITH HDF

10114942  
CUSTOMER sheet 1 of 4  
Rev. A

2

3

4

## Looking for pricing, stock, or lifecycle information?

Click below to explore more details on WIN SOURCE:

- [View 10114942-101LF on WIN SOURCE](#)
- [Amphenol FCI Information](#)

## Optimize Your Supply Chain with WIN SOURCE Solutions

- ✓ Global Sourcing Solution
- ✓ Obsolete Management
- ✓ Cost Control Management
- ✓ Shortage Management
- ✓ Alternative Solution
- ✓ Excess Inventory Management