



THE DATASHEET OF CPFIUG882



受控 CONTROLLED DOCUMENT

编号 P/N	CPIUG882-CUST	版本 Rev	01	日期 Date	Apr/29/09
-----------	---------------	-----------	----	------------	-----------

Description: BNC Twist-On For RG 59,62

Part No: CPIUG885

Application: For RG-59, RG-62 Cable

Crimp Tool: N/A

Impedance: 50 Ohms

Frequency Range: 0-4 GHz

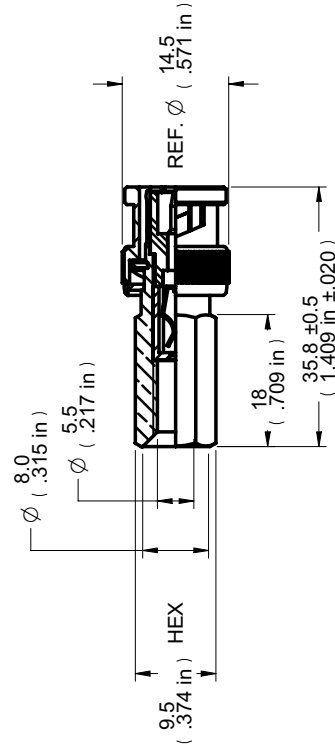
Material: Body Brass Contact Phosphor bronze Insulator Teflon Nut Zinc Nickel plating

RoHS Compliance: Yes

Technical Detail: Refer to Emerson Document P/N 27-0



B



A

DIM OUTLINE

TOLERANCE UNLESS OTHERWISE SPECIFIED	mm	DRAWN BY	DATE
DECIMALS	X	GARY.ZHANG	03-13-09
	\pm 0.5	CHECKED BY	DATE
	X.X	BETTY.YU	03-13-09
	\pm 0.3	APPROVED BY	DATE
	X.XX	THOMAS	03-13-09
ANGLES	\pm 0.5°	U/M	mm
THIS DRAWING WAS PRODUCED BY COMPUTER, DO NOT SCALE DRAWING OR UPDATE MANUALLY.			

5



4

3

2

Looking for pricing, stock, or lifecycle information?

Click below to explore more details on WIN SOURCE:

-  [View CPFIUG882 on WIN SOURCE](#)
-  [Cinch Connectivity Solutions Information](#)

Optimize Your Supply Chain with WIN SOURCE Solutions

-  Global Sourcing Solution
-  Obsolete Management
-  Cost Control Management
-  Shortage Management
-  Alternative Solution
-  Excess Inventory Management