



2SA1705

Bipolar Transistor -50V, -1A, Low VCE(sat), PNP Single NMP

ON Semiconductor®

<http://onsemi.com>

Applications

- Voltage regulators, relay drivers, lamp drivers

Features

- Adoption of FBET process
- Fast switching speed

Specifications

Absolute Maximum Ratings at Ta=25°C

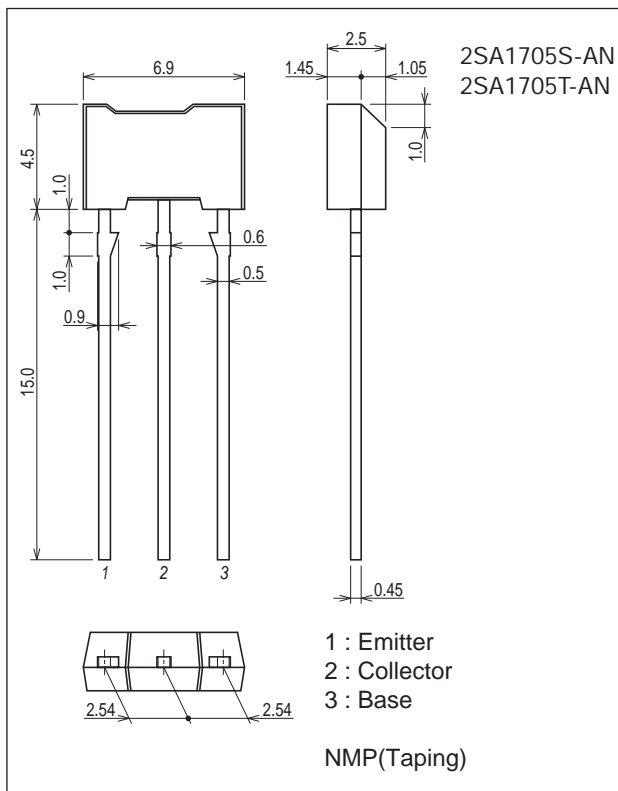
| Parameter | Symbol | Conditions | Ratings | Unit |
|------------------------------|------------------|------------|-------------|------|
| Collector-to-Base Voltage | V _{CB0} | | -60 | V |
| Collector-to-Emitter Voltage | V _{CE0} | | -50 | V |
| Emitter-to-Base Voltage | V _{EB0} | | -5 | V |
| Collector Current | I _C | | -1 | A |
| Collector Current (Pulse) | I _{CP} | | -2 | A |
| Collector Dissipation | P _C | | 0.9 | W |
| Junction Temperature | T _j | | 150 | °C |
| Storage Temperature | T _{stg} | | -55 to +150 | °C |

Stresses exceeding Maximum Ratings may damage the device. Maximum Ratings are stress ratings only. Functional operation above the Recommended Operating Conditions is not implied. Extended exposure to stresses above the Recommended Operating Conditions may affect device reliability.

Package Dimensions

unit : mm (typ)

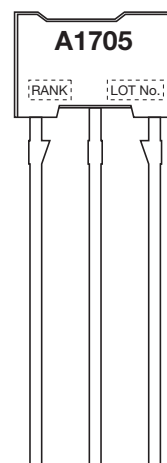
7540-001



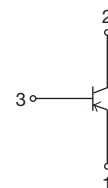
Product & Package Information

- Package : NMP(Taping)
- JEITA, JEDEC : SC-71
- Minimum Packing Quantity : 2,500 pcs./box

Marking(NMP(Taping))



Electrical Connection



2SA1705

Electrical Characteristics at Ta=25°C

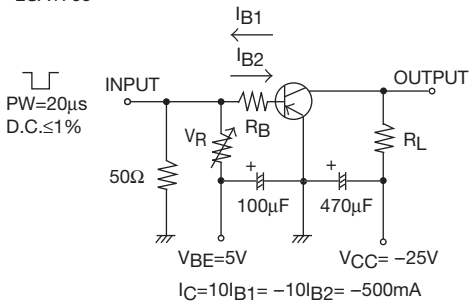
| Parameter | Symbol | Conditions | Ratings | | | Unit |
|---|----------------------|---|---------|------|------|------|
| | | | min | typ | max | |
| Collector Cutoff Current | ICBO | V _{CB} =-50V, I _E =0A | | | -100 | nA |
| Emitter Cutoff Current | IEBO | V _{EB} =-4V, I _C =0A | | | -100 | nA |
| DC Current Gain | h _{FE1} | V _{CE} =-2V, I _C =-100mA | 140* | | 400* | |
| | h _{FE2} | V _{CE} =-2V, I _C =-1A | 30 | | | |
| Gain-Bandwidth Product | f _T | V _{CE} =-10V, I _C =-50mA | | 150 | | MHz |
| Collector-to-Emitter Saturation Voltage | V _{CE(sat)} | I _C =-500mA, I _B =-50mA | | -180 | -500 | mV |
| Base-to-Emitter Saturation Voltage | V _{BE(sat)} | I _C =-500mA, I _B =-50mA | | -0.9 | -1.2 | V |
| Output Capacitance | C _{ob} | V _{CB} =-10V, f=1MHz | | 12 | | pF |
| Collector-to-Base Breakdown Voltage | V _{(BR)CBO} | I _C =-10μA, I _E =0A | -60 | | | V |
| Collector-to-Emitter Breakdown Voltage | V _{(BR)CEO} | I _C =-1mA, R _{BE} =∞ | -50 | | | V |
| Emitter-to-Base Breakdown Voltage | V _{(BR)EBO} | I _E =-10μA, I _C =0A | -5 | | | V |
| Turn-ON Time | t _{on} | See specified Test Circuit. | | 40 | | ns |
| Storage Time | t _{stg} | | | 300 | | ns |
| Fall Time | t _f | | | 30 | | ns |

* : The 2SA1705 is classified by 100mA h_{FE} as follows :

| Rank | S | T |
|-----------------|------------|------------|
| h _{FE} | 140 to 280 | 200 to 400 |

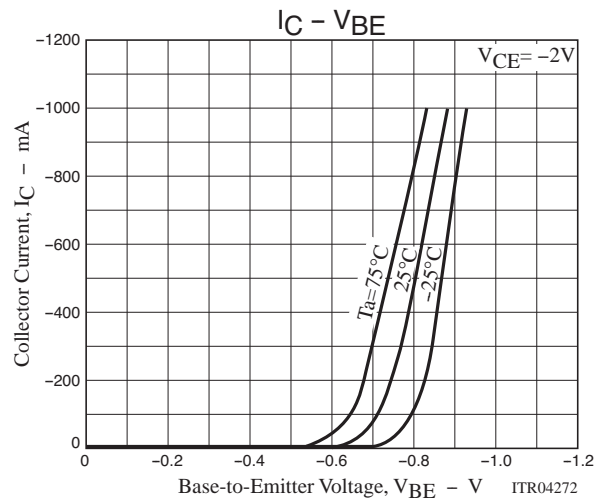
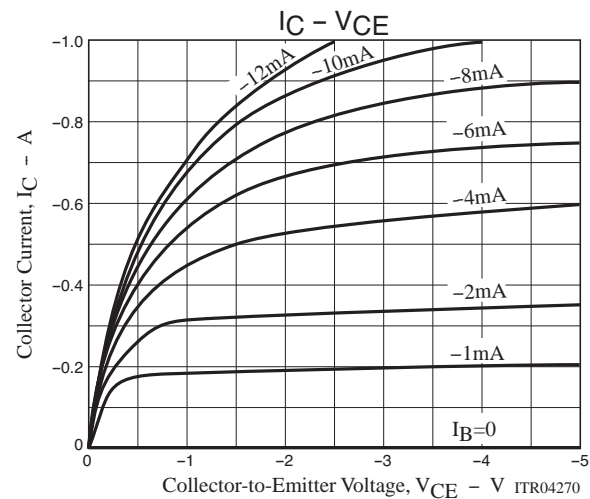
Switching Time Test Circuit

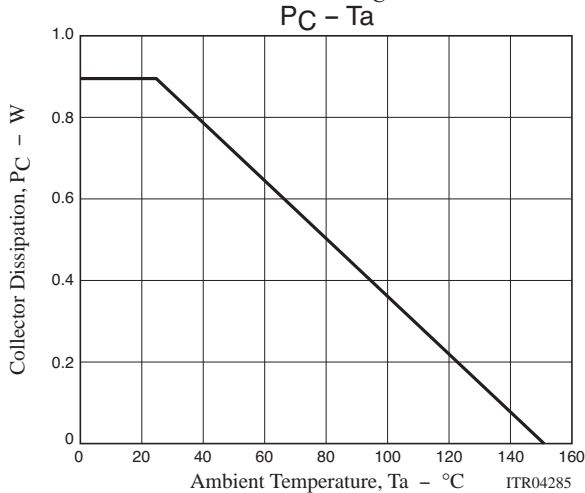
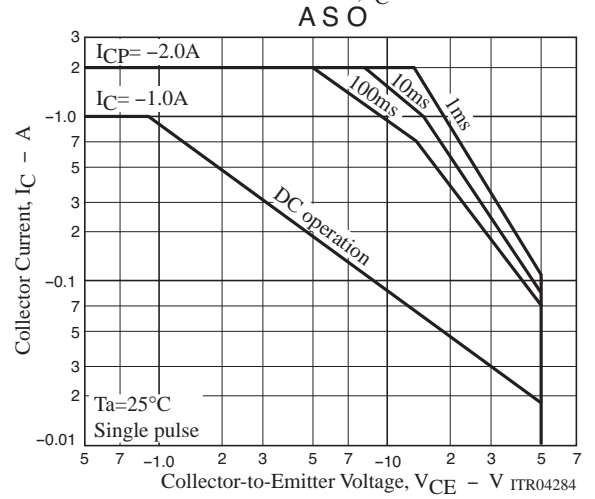
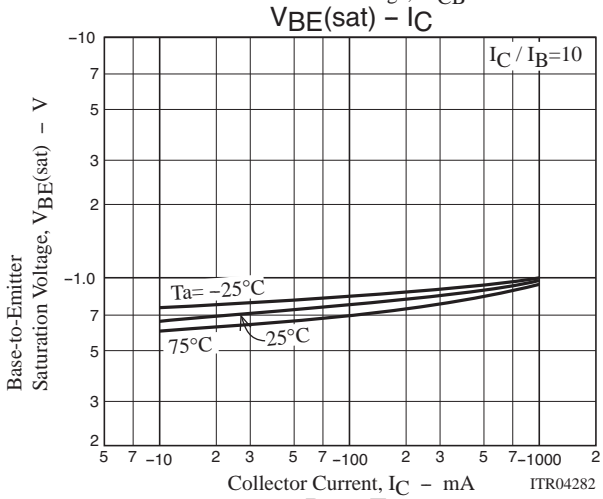
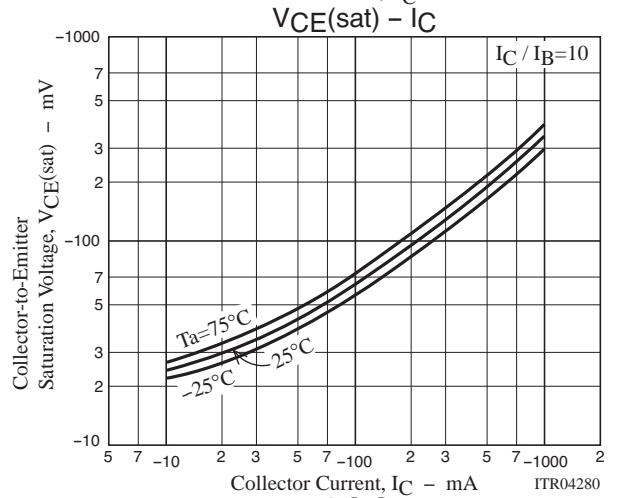
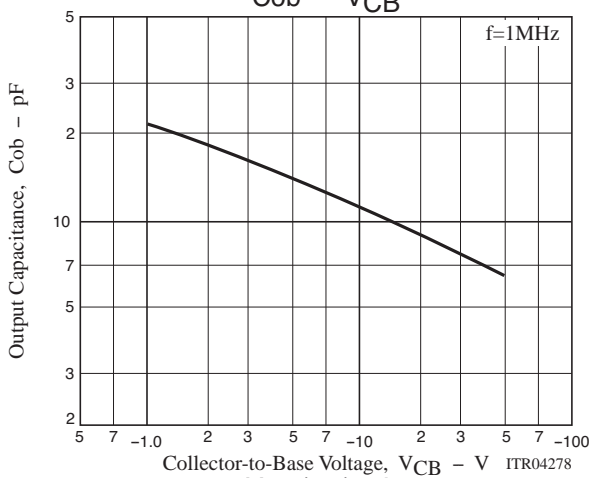
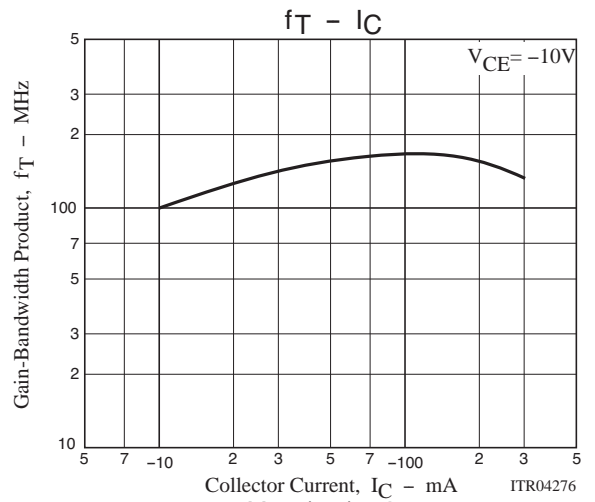
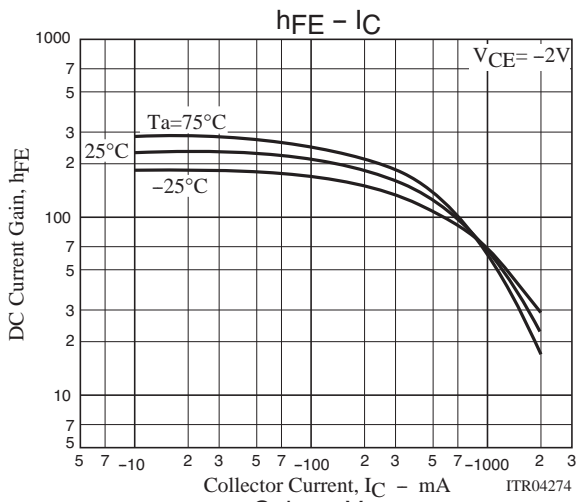
2SA1705



Ordering Information

| Device | Package | Shipping | memo |
|-------------|-------------|---------------|---------|
| 2SA1705S-AN | NMP(Taping) | 2,500pcs./box | Pb Free |
| 2SA1705T-AN | NMP(Taping) | 2,500pcs./box | |





Bag Packing Specification

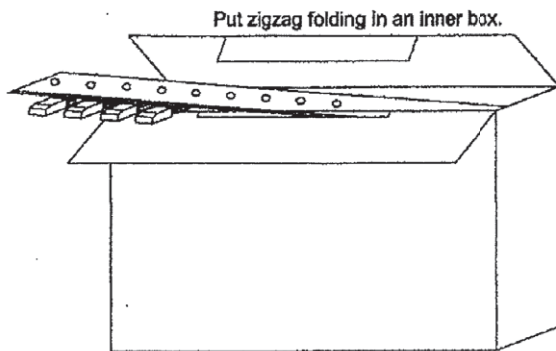
2SA1705S-AN, 2SA1705T-AN

NMP (Zigzag folding)

| Storage package Outline name | Package type | Maximum Number of devices contained (pcs.) | | Packing format | |
|------------------------------|--------------|---|------------------|---|---|
| | | Inner box No. | Storage quantity | Outer box (C-6) | Outer box (C-8) |
| NMP | AN/AZ | C-3 Inner box Dimensions :mm(external) 330×45×125 | 2,500 | 8 inner boxes contained(20,000pcs.) Outer box Dimensions:mm(external) 585×345×195 | 4 inner boxes contained(10,000pcs.) Outer box Dimensions:mm(external) 345×300×195 |

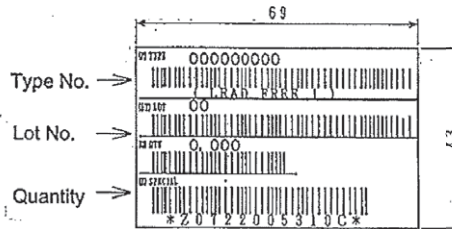
1. Packing format

Packing method



2. Bar code label

(Unit : mm)

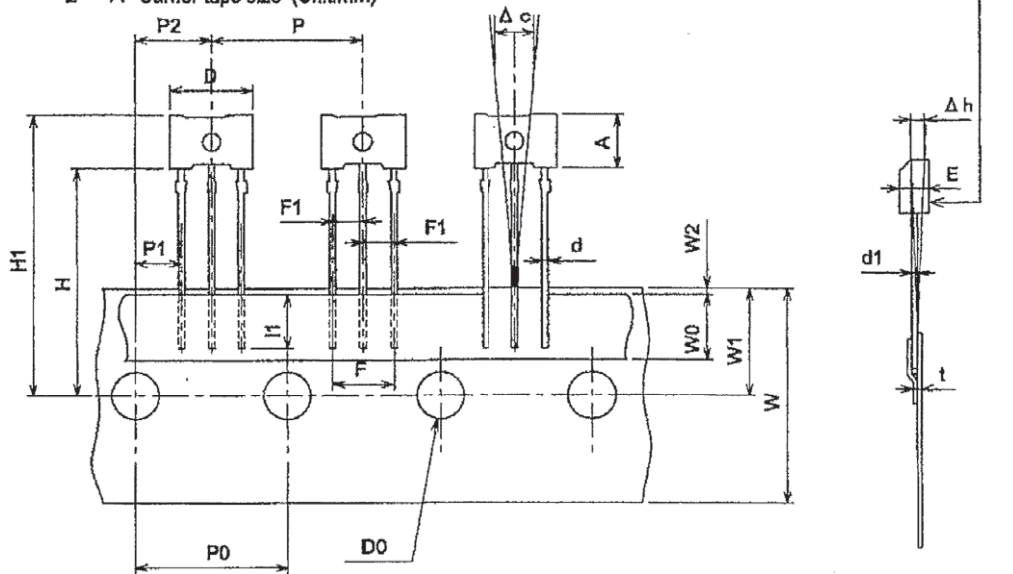


*LEAD FREE 1:

Lead-free External terminal surface treatment product.

2. Taping specifications

2-1. Carrier tape size (Unit:mm)



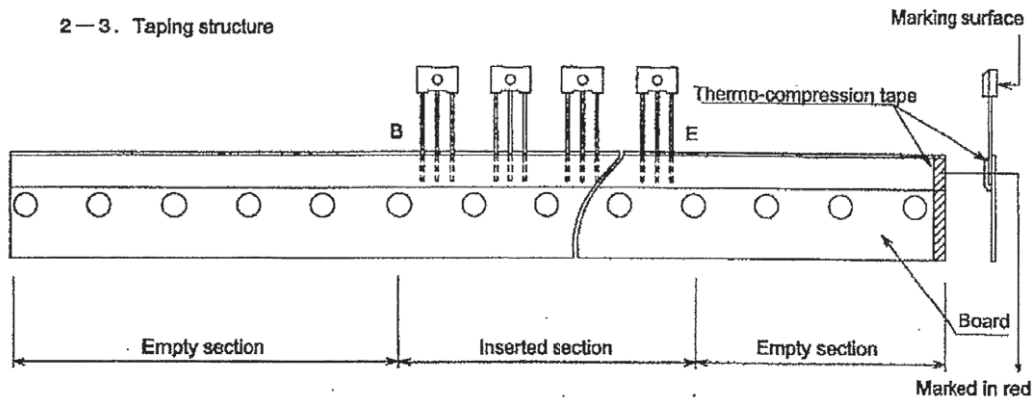
2-2. Taping size standard

| Item | Symbol | Standard | Tolerance |
|---------------------------------|--------|----------|--------------|
| Work piece outside diameter | D | 6.9 | ±0.2 |
| | E | 2.5 | ±0.2 |
| Work piece height | A | 4.5 | ±0.2 |
| Lead wire diameter | d | 0.5 | ±0.1 |
| Lead wire thickness | d1 | 0.45 | ±0.1 |
| Bonded lead wire | l1 | 3.0MIN | |
| Pitch between products | P | 12.7 | ±0.5 |
| Pitch between perforations | P0 | 12.7 | ±0.2 |
| Total pitch for 21 perforations | P0×20 | 254.0 | ±1.0 |
| Distance between lead wire | F | 5.0 | +0.8 -0.2 |
| Lead wire pitch distance | F1 | 2.54 | +0.4 -0.1 |
| Displacement of perforations | P1 | 3.81 | ±0.3 |
| | P2 | 6.35 | ±0.3 |
| Displacement of tape | W2 | 0~0.5 | |

Unit:mm

| Item | Symbol | Standard | Tolerance |
|------------------------------------|--------|----------|--------------|
| Tape width | W | 18.0 | ±0.5 |
| Adhesive tape | W0 | 6.0 | ±0.5 |
| Displacement of perforations | W1 | 9.0 | ±0.5 |
| Work piece bottom surface position | H | 19.0 | +1.0 -0.5 |
| Work piece upper limit position | H1 | 23.5 | ±1.0 |
| Perforations diameter | D0 | φ4.0 | ±0.2 |
| Tape thickness (total thickness) | t | 0.6 | ±0.2 |
| Product inclination | Δc | 0 | ±0.7 |
| Product inclination | Δh | 0 | ±1.0 |

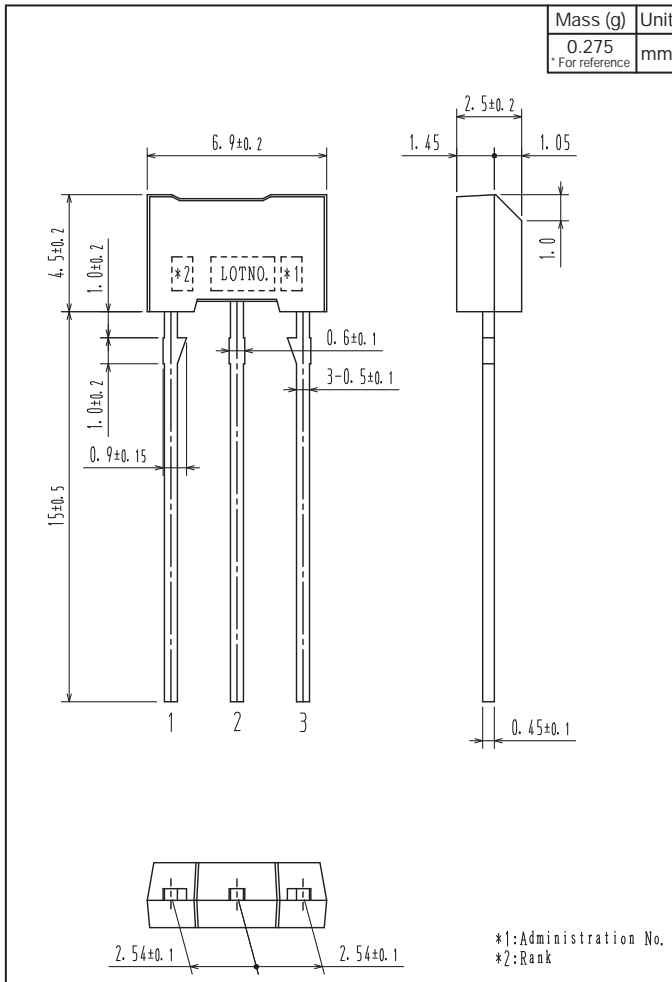
2—3. Taping structure



- Provide an empty section for about three to five pieces in leading and end portions of the tape.
- Provide an empty section in the fold-back portion.
- Provide marking in red to the E-side end of the board.

Outline Drawing



2SA1705S-AN, 2SA1705T-AN



ON Semiconductor and the ON logo are registered trademarks of Semiconductor Components Industries, LLC (SCILLC). SCILLC owns the rights to a number of patents, trademarks, copyrights, trade secrets, and other intellectual property. A listing of SCILLC's product/patent coverage may be accessed at www.onsemi.com/site/pdf/Patent-Marking.pdf. SCILLC reserves the right to make changes without further notice to any products herein. SCILLC makes no warranty, representation or guarantee regarding the suitability of its products for any particular purpose, nor does SCILLC assume any liability arising out of the application or use of any product or circuit, and specifically disclaims any and all liability, including without limitation special, consequential or incidental damages. "Typical" parameters which may be provided in SCILLC data sheets and/or specifications can and do vary in different applications and actual performance may vary over time. All operating parameters, including "Typicals" must be validated for each customer application by customer's technical experts. SCILLC does not convey any license under its patent rights nor the rights of others. SCILLC products are not designed, intended, or authorized for use as components in systems intended for surgical implant into the body, or other applications intended to support or sustain life, or for any other application in which the failure of the SCILLC product could create a situation where personal injury or death may occur. Should Buyer purchase or use SCILLC products for any such unintended or unauthorized application, Buyer shall indemnify and hold SCILLC and its officers, employees, subsidiaries, affiliates, and distributors harmless against all claims, costs, damages, and expenses, and reasonable attorney fees arising out of, directly or indirectly, any claim of personal injury or death associated with such unintended or unauthorized use, even if such claim alleges that SCILLC was negligent regarding the design or manufacture of the part. SCILLC is an Equal Opportunity/Affirmative Action Employer. This literature is subject to all applicable copyright laws and is not for resale in any manner.

Looking for pricing, stock, or lifecycle information?

Click below to explore more details on WIN SOURCE:

-  [View 2SA1705S-AN on WIN SOURCE](#)
-  [ON Semiconductor](#) Information

Optimize Your Supply Chain with WIN SOURCE Solutions

-  Global Sourcing Solution
-  Obsolete Management
-  Cost Control Management
-  Shortage Management
-  Alternative Solution
-  Excess Inventory Management