



# THE DATASHEET OF STW30NM60N





# STB30NM60N, STI30NM60N, STF30NM60N STP30NM60N, STW30NM60N

N-channel 600 V, 0.1  $\Omega$ , 25 A, MDmesh™ II Power MOSFET  
TO-220, TO-220FP, TO-247, D<sup>2</sup>PAK, I<sup>2</sup>PAK

## Features

| Type       | V <sub>DSS</sub> @<br>T <sub>Jmax</sub> | R <sub>DS(on)</sub><br>max | I <sub>D</sub>     | P <sub>W</sub> |
|------------|---|----------------------------|--------------------|----------------|
| STB30NM60N | 650 V                                   | <0.13 $\Omega$             | 25A                | 190 W          |
| STI30NM60N | 650 V                                   | <0.13 $\Omega$             | 25A                | 190 W          |
| STF30NM60N | 650 V                                   | <0.13 $\Omega$             | 25A <sup>(1)</sup> | 40 W           |
| STP30NM60N | 650 V                                   | <0.13 $\Omega$             | 25A                | 190 W          |
| STW30NM60N | 650 V                                   | <0.13 $\Omega$             | 25A                | 190 W          |

1. Limited only by maximum temperature allowed

- 100% avalanche tested
- Low input capacitance and gate charge
- Low gate input resistance

## Application

- Switching applications

## Description

This series of devices is designed using the second generation of MDmesh™ Technology. This revolutionary Power MOSFET associates a new vertical structure to the Company's strip layout to yield one of the world's lowest on-resistance and gate charge. It is therefore suitable for the most demanding high efficiency converters.

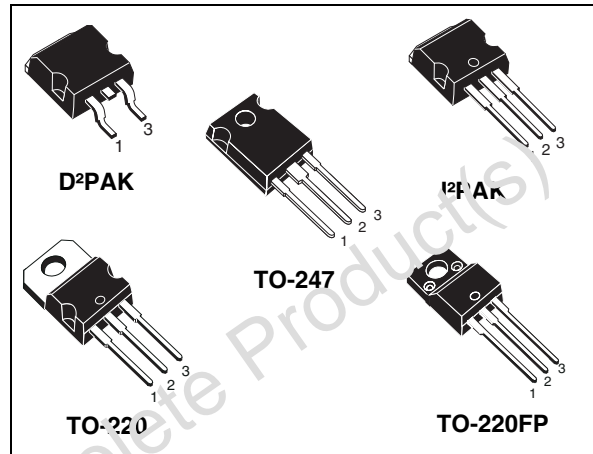


Figure 1. Internal schematic diagram

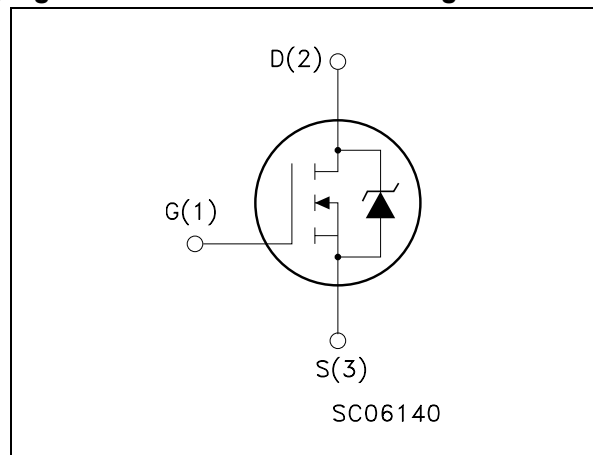


Table 1. Device summary

| Order codes | Marking | Package            | Packaging     |
|-------------|---------|--------------------|---------------|
| STB30NM60N  | 30NM60N | D <sup>2</sup> PAK | Tape and reel |
| STI30NM60N  | 30NM60N | I <sup>2</sup> PAK | Tube          |
| STF30NM60N  | 30NM60N | TO-220FP           | Tube          |
| STP30NM60N  | 30NM60N | TO-220             | Tube          |
| STW30NM60N  | 30NM60N | TO-247             | Tube          |

# Contents

|          |   |           |
|----------|---|-----------|
| <b>1</b> | <b>Electrical ratings</b> .....           | <b>3</b>  |
| <b>2</b> | <b>Electrical characteristics</b> .....   | <b>4</b>  |
| 2.1      | Electrical characteristics (curves) ..... | 6         |
| <b>3</b> | <b>Test circuits</b> .....                | <b>9</b>  |
| <b>4</b> | <b>Package mechanical data</b> .....      | <b>10</b> |
| <b>5</b> | <b>Packaging mechanical data</b> .....    | <b>16</b> |
| <b>6</b> | <b>Revision history</b> .....             | <b>17</b> |

Obsolete Product(s) - Obsolete Product(s)

# 1 Electrical ratings

**Table 2. Absolute maximum ratings**

| Symbol                         | Parameter  | Value      |                    |        |                     |          | Unit |
|--------------------------------|--|------------|--------------------|--------|---------------------|----------|------|
|                                |  | TO-220     | I <sup>2</sup> PAK | TO-247 | D <sup>2</sup> PAK  | TO-220FP |      |
| V <sub>DS</sub>                | Drain-source voltage (V <sub>GS</sub> =0)  | 600        |                    |        |                     |          | V    |
| V <sub>GS</sub>                | Gate-source voltage  | ± 30       |                    |        |                     |          | V    |
| I <sub>D</sub>                 | Drain current (continuous) at T <sub>C</sub> = 25 °C   | 25         |                    |        | 25 <sup>(1)</sup>   |          | A    |
| I <sub>D</sub>                 | Drain current (continuous) at T <sub>C</sub> = 100 °C  | 15.8       |                    |        | 15.8 <sup>(1)</sup> |          | A    |
| I <sub>DM</sub> <sup>(2)</sup> | Drain current (pulsed)   | 100        |                    |        | 100 <sup>(1)</sup>  |          | A    |
| P <sub>TOT</sub>               | Total dissipation at T <sub>C</sub> = 25 °C  | 190        |                    |        | 40                  |          | W    |
| dv/dt <sup>(3)</sup>           | Peak diode recovery voltage slope  | 15         |                    |        |                     |          | V/ns |
| V <sub>ISO</sub>               | Insulation withstand voltage (RMS) from all three leads to external heat sink (t=1 s; T <sub>C</sub> =25 °C) | --         |                    |        | 2500                |          | V    |
| T <sub>stg</sub>               | Storage temperature  | -55 to 150 |                    |        |                     |          | °C   |
| T <sub>j</sub>                 | Max. operating junction temperature  | 150        |                    |        |                     |          | °C   |

- Limited only by maximum temperature allowed
- Pulse width limited by safe operating area
- I<sub>SD</sub> ≤ 25A, di/dt ≤ 400A/μs, V<sub>DD</sub> = 80% V<sub>(BR)DSS</sub>

**Table 3. Thermal data**

| Symbol                | Parameter                                       | TO-220 | I <sup>2</sup> PAK | TO-247 | D <sup>2</sup> PAK | TO-220FP | Unit |
|-----------------------|---|--------|--------------------|--------|--------------------|----------|------|
| R <sub>thj-case</sub> | Thermal resistance junction-case max            | 0.66   |                    |        |                    | 3.1      | °C/W |
| R <sub>thj-pcb</sub>  | Thermal resistance junction-pcb max             | --     | --                 | --     | 30                 | --       | °C/W |
| R <sub>thj-amb</sub>  | Thermal resistance junction-amb max             | 62.5   |                    | 50     | --                 | 62.5     | °C/W |
| T <sub>l</sub>        | Maximum lead temperature for soldering purposes | 300    |                    |        |                    |          | °C   |

**Table 4. Avalanche characteristics**

| Symbol          | Parameter  | Max value | Unit |
|-----------------|--|-----------|------|
| I <sub>AR</sub> | Avalanche current, repetitive or not-repetitive (pulse width limited by T <sub>j</sub> max)                              | 12        | A    |
| E <sub>AS</sub> | Single pulse avalanche energy (starting T <sub>j</sub> = 25°C, I <sub>D</sub> = I <sub>AR</sub> , V <sub>DD</sub> = 50V) | 900       | mJ   |

## 2 Electrical characteristics

(T<sub>case</sub> =25°C unless otherwise specified)

**Table 5. On /off states**

| Symbol               | Parameter   | Test conditions   | Min. | Typ. | Max.     | Unit     |
|----------------------|---|---|------|------|----------|----------|
| V <sub>(BR)DSS</sub> | Drain-source breakdown voltage                        | I <sub>D</sub> = 1 mA, V <sub>GS</sub> = 0  | 600  |      |          | V        |
| I <sub>DSS</sub>     | Zero gate voltage drain current (V <sub>GS</sub> = 0) | V <sub>DS</sub> = Max rating<br>V <sub>DS</sub> = Max rating, T <sub>C</sub> =125°C |      |      | 1<br>100 | μA<br>μA |
| I <sub>GSS</sub>     | Gate-body leakage current (V <sub>DS</sub> = 0)       | V <sub>GS</sub> = ± 20 V  |      |      | 100      | nA       |
| V <sub>GS(th)</sub>  | Gate threshold voltage                                | V <sub>DS</sub> = V <sub>GS</sub> , I <sub>D</sub> = 250 μA                         | 2    | 3    | 4        | V        |
| R <sub>DS(on)</sub>  | Static drain-source on resistance                     | V <sub>GS</sub> = 10 V, I <sub>D</sub> = 12.5 A                                     |      | 0.1  | 0.13     | Ω        |

**Table 6. Dynamic**

| Symbol   | Parameter   | Test conditions   | Min. | Typ.              | Max. | Unit           |
|--|---|---|------|-------------------|------|----------------|
| g <sub>fs</sub> (1)                                      | Forward transconductance  | V <sub>DS</sub> = 10 V, I <sub>D</sub> = 12.5 A   |      | 25                |      | S              |
| C <sub>iss</sub><br>C <sub>oss</sub><br>C <sub>rss</sub> | Input capacitance<br>Output capacitance<br>Reverse transfer capacitance | V <sub>DS</sub> = 50 V, f = 1 MHz, V <sub>GS</sub> = 0                                      |      | 2700<br>210<br>22 |      | pF<br>pF<br>pF |
| C <sub>oss eq.</sub>                                     | Equivalent Output capacitance   | V <sub>GS</sub> = 0, V <sub>DS</sub> = 0 to 480 V   |      | 66                |      | pF             |
| r <sub>ig</sub>  | Gate input resistance   | f=1MHz Gate DC Bias=0<br>Test signal level=20 mV<br>open drain                              |      | 3                 |      | Ω              |
| Q <sub>g</sub><br>Q <sub>gs</sub><br>Q <sub>gd</sub>     | Total gate charge<br>Gate-source charge<br>Gate-drain charge            | V <sub>DD</sub> =480 V, I <sub>D</sub> = 25 A,<br>V <sub>GS</sub> = 10 V<br>(see Figure 19) |      | 91<br>14<br>50    |      | nC<br>nC<br>nC |

1. Pulsed: Pulse duration = 300 μs, duty cycle 1.5%

**Table 7. Switching times**

| Symbol       | Parameter           | Test conditions  | Min. | Typ. | Max | Unit |
|--------------|---------------------|--|------|------|-----|------|
| $t_{d(on)}$  | Turn-on delay time  | $V_{DD} = 300\text{ V}$ , $I_D = 12.5\text{ A}$ ,<br>$R_G = 4.7\ \Omega$ , $V_{GS} = 10\text{ V}$<br>(see Figure 18) |      | 20   |     | ns   |
| $t_r$        | Rise time           |  |      | 24   |     | ns   |
| $t_{d(off)}$ | Turn-off-delay time |  |      | 125  |     | ns   |
| $t_f$        | Fall time           |  |      | 70   |     | ns   |

**Table 8. Source drain diode**

| Symbol          | Parameter                     | Test conditions   | Min | Typ. | Max | Unit          |
|-----------------|-------------------------------|---|-----|------|-----|---------------|
| $I_{SD}$        | Source-drain current          |   |     |      | 25  | A             |
| $I_{SDM}^{(1)}$ | Source-drain current (pulsed) |   |     |      | 100 | A             |
| $V_{SD}^{(2)}$  | Forward on voltage            | $I_{SD} = 25\text{ A}$ , $V_{GS} = 0$   |     |      | 1.3 | V             |
| $t_{rr}$        | Reverse recovery time         | $I_{SD} = 25\text{ A}$ , $di/dt = 100\text{ A}/\mu\text{s}$<br>$V_{DD} = 100\text{ V}$ (see Figure 23)                                |     | 540  |     | ns            |
| $Q_{rr}$        | Reverse recovery charge       |   |     | 10   |     | $\mu\text{C}$ |
| $I_{RRM}$       | Reverse recovery current      |   |     | 36   |     | A             |
| $t_{rr}$        | Reverse recovery time         | $I_{SD} = 25\text{ A}$ , $di/dt = 100\text{ A}/\mu\text{s}$<br>$V_{DD} = 100\text{ V}$ , $T_J = 150^\circ\text{C}$<br>(see Figure 23) |     | 630  |     | ns            |
| $Q_{rr}$        | Reverse recovery charge       |   |     | 12   |     | $\mu\text{C}$ |
| $I_{RRM}$       | Reverse recovery current      |   |     | 36   |     | A             |

1. Pulse width limited by safe operating area
2. Pulsed: pulse duration = 300 $\mu\text{s}$ , duty cycle = 1.5%

## 2.1 Electrical characteristics (curves)

Figure 2. Safe operating area for TO-220 / D<sup>2</sup>PAK / I<sup>2</sup>PAK

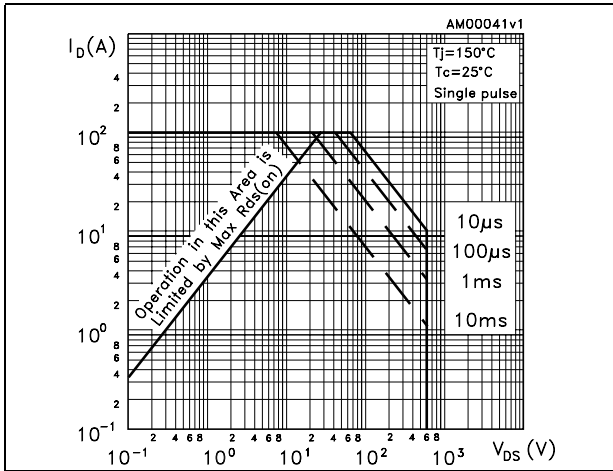


Figure 3. Thermal impedance for TO-220 / D<sup>2</sup>PAK / I<sup>2</sup>PAK

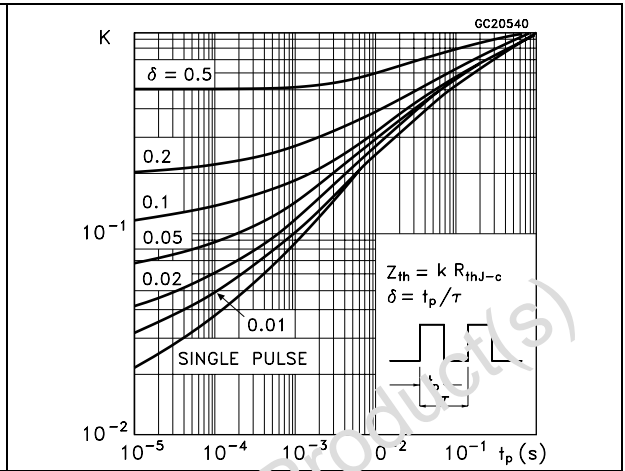


Figure 4. Safe operating area for TO-220FP

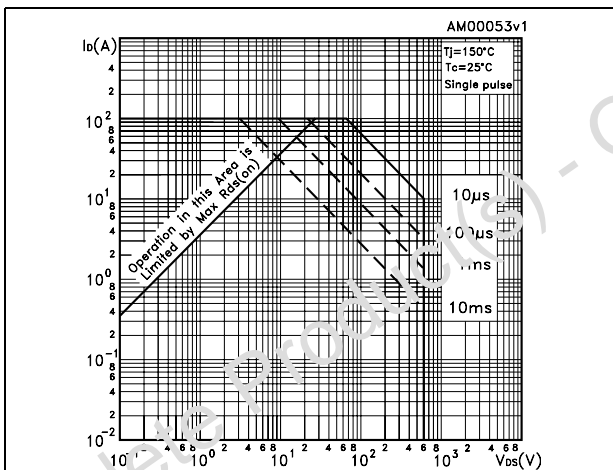


Figure 5. Thermal impedance for TO-220FP

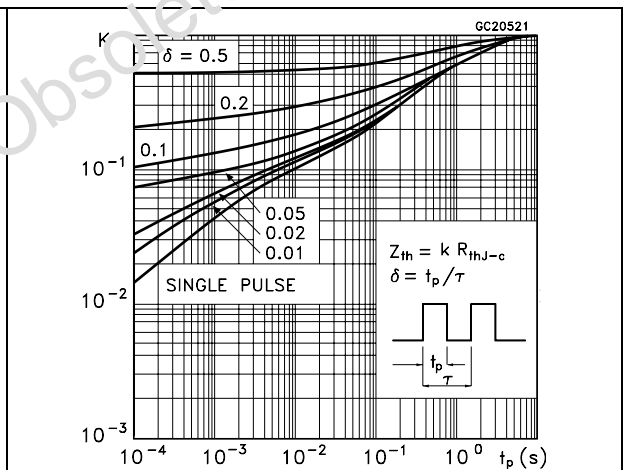


Figure 6. Safe operating area for TO-247

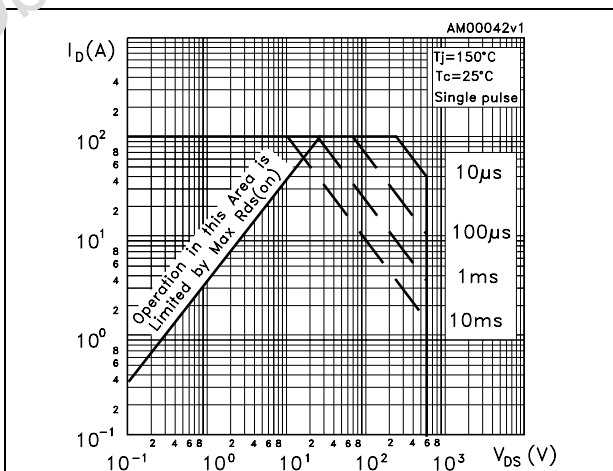


Figure 7. Thermal impedance for TO-247

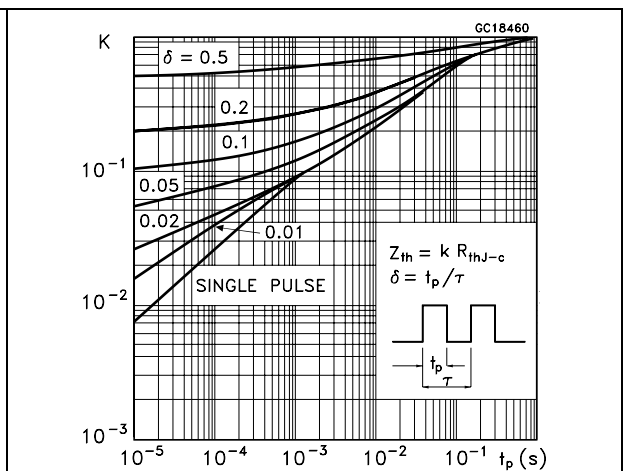


Figure 8. Output characteristics

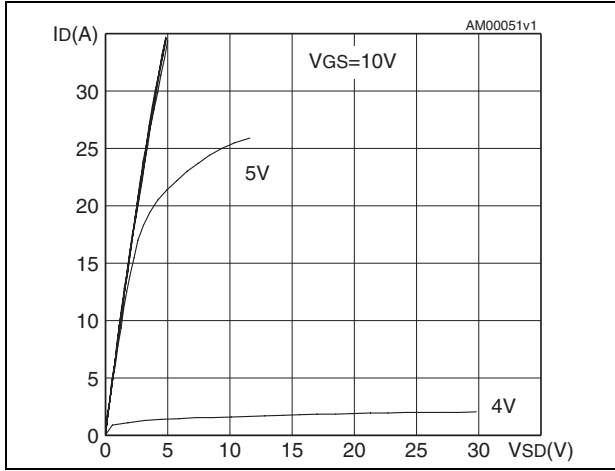


Figure 9. Transfer characteristics

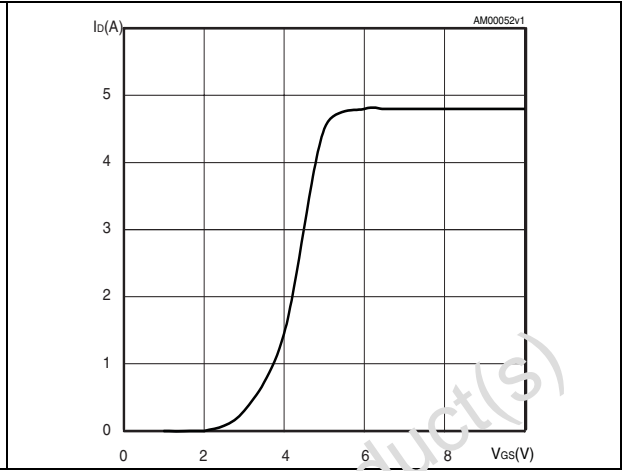


Figure 10. Transconductance

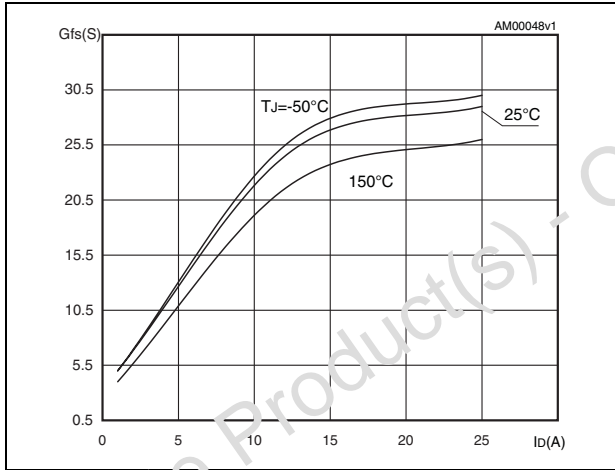


Figure 11. Static drain-source on resistance

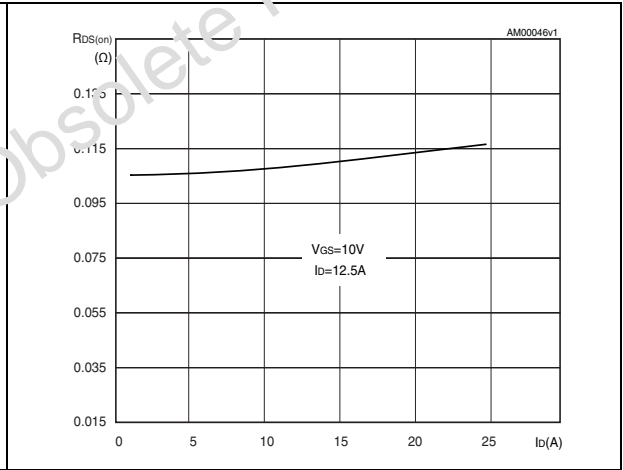


Figure 12. Gate charge vs gate-source voltage

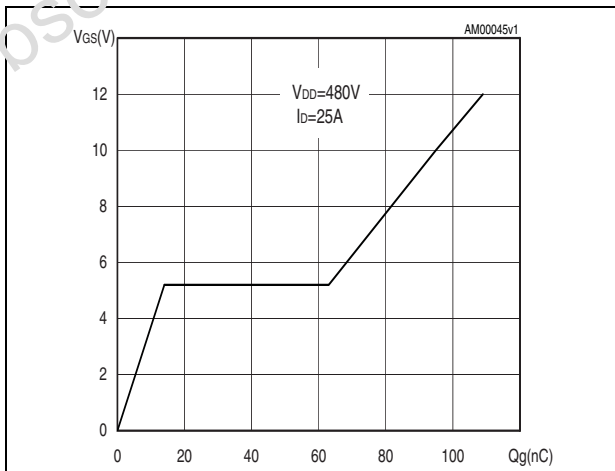


Figure 13. Capacitance variations

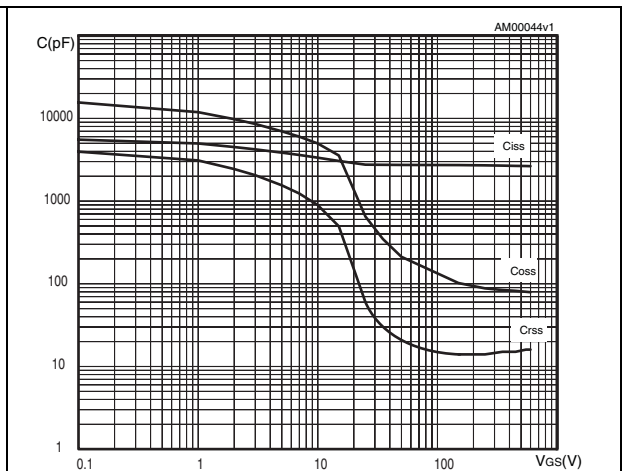


Figure 14. Normalized gate threshold voltage vs temperature

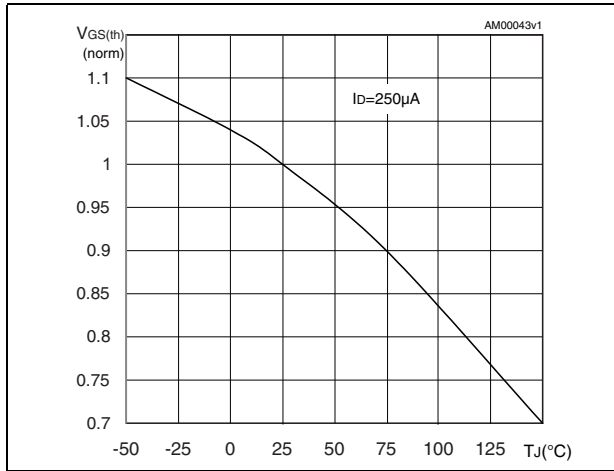


Figure 15. Normalized on resistance vs temperature

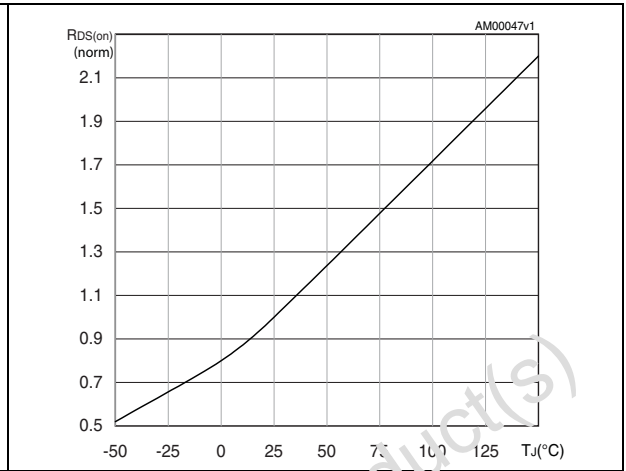


Figure 16. Source-drain diode forward characteristics

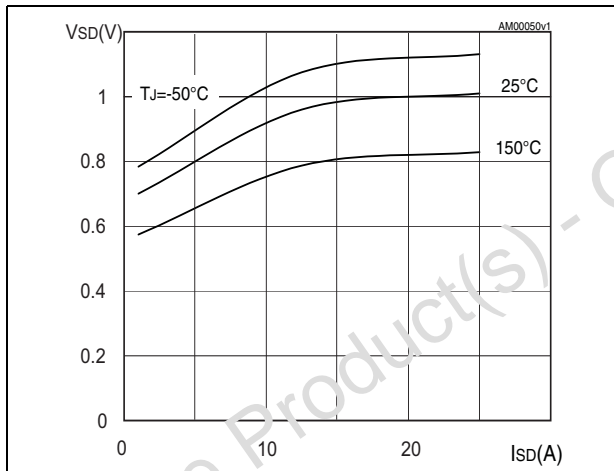
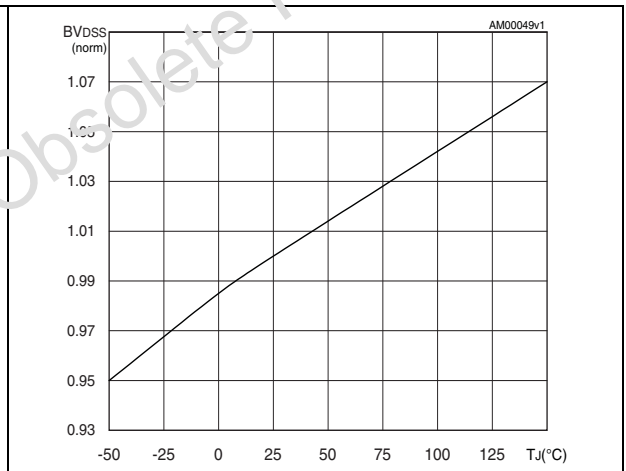


Figure 17. Normalized BV<sub>DSS</sub> vs temperature



### 3 Test circuits

Figure 18. Switching times test circuit for resistive load

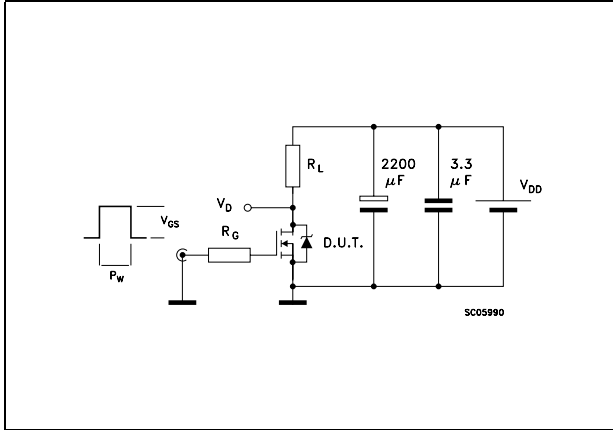


Figure 19. Gate charge test circuit

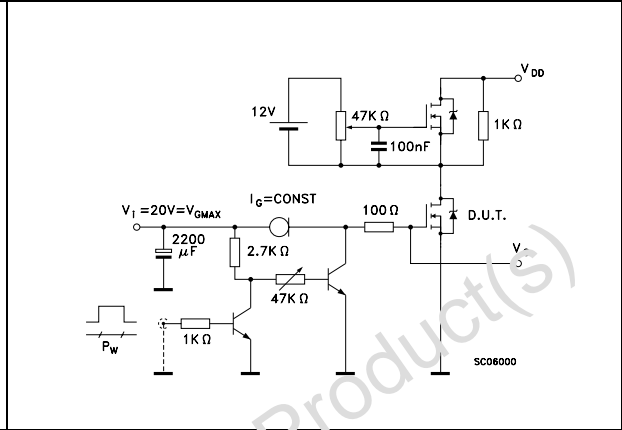


Figure 20. Test circuit for inductive load switching and diode recovery times

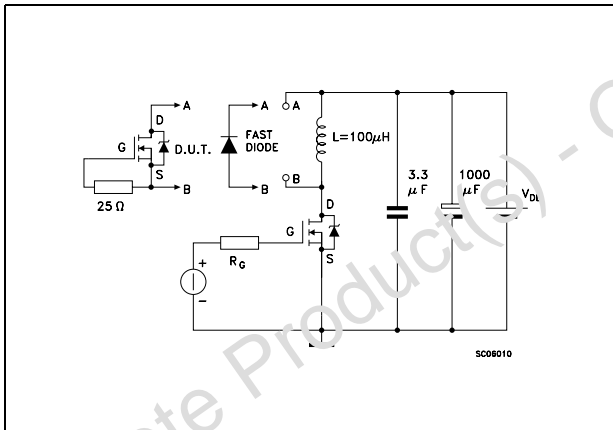


Figure 21. Unclamped inductive load test circuit

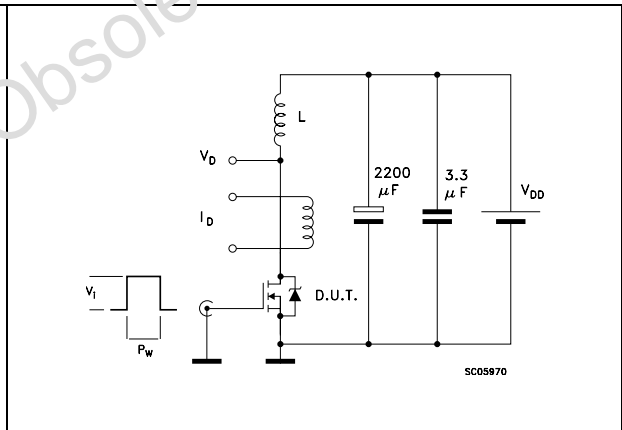


Figure 22. Unclamped inductive waveform

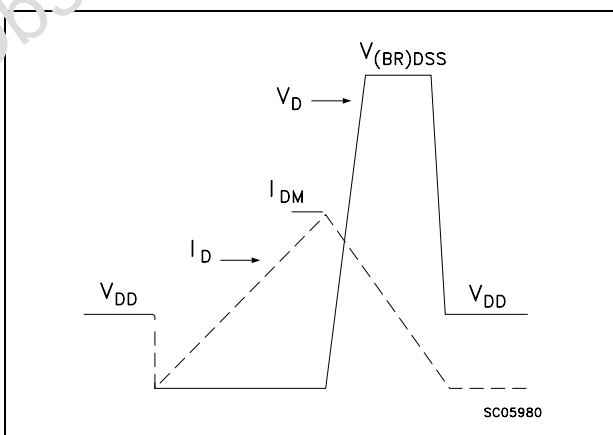
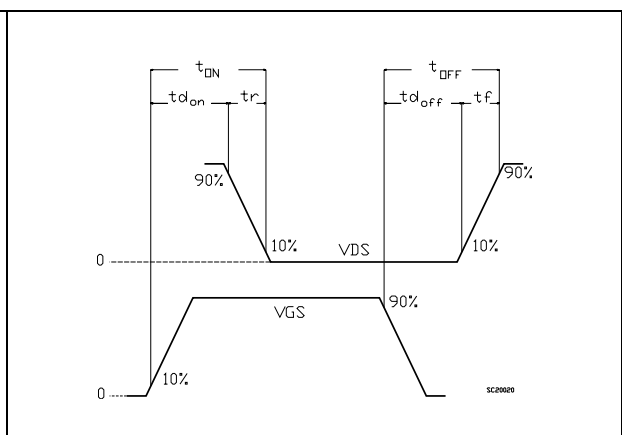


Figure 23. Switching time waveform



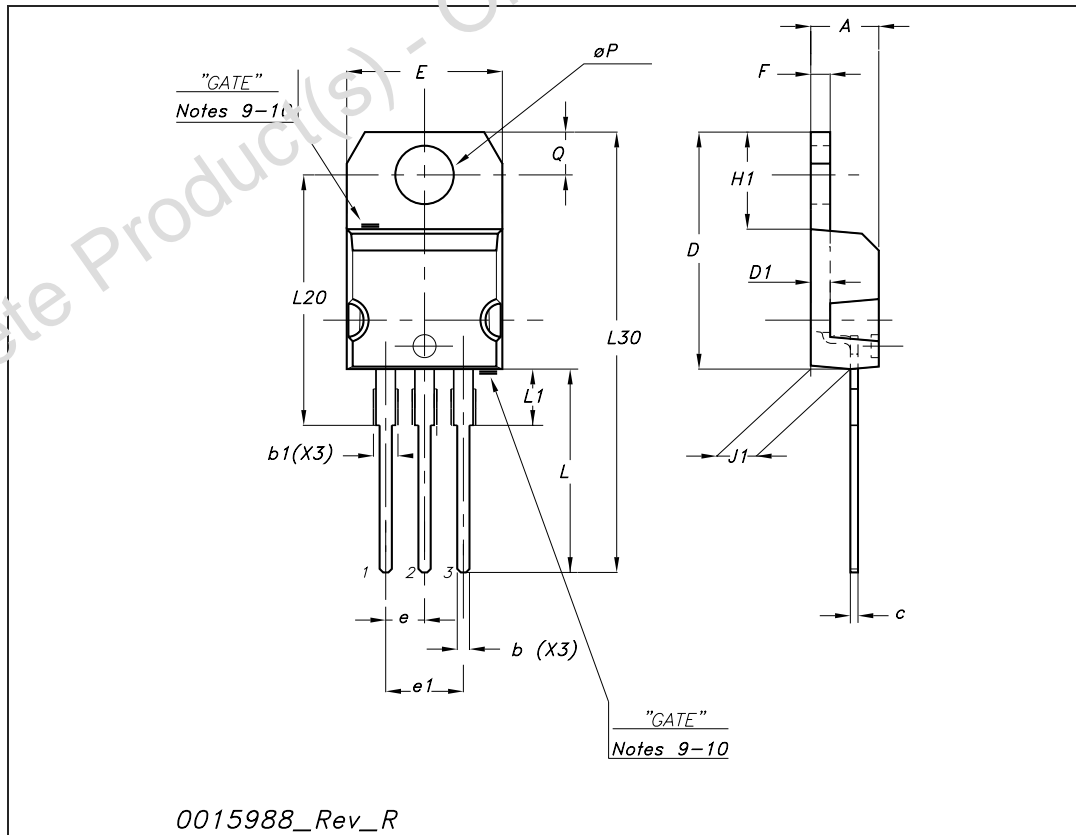
## 4 Package mechanical data

In order to meet environmental requirements, ST offers these devices in ECOPACK® packages. These packages have a Lead-free second level interconnect. The category of second level interconnect is marked on the package and on the inner box label, in compliance with JEDEC Standard JESD97. The maximum ratings related to soldering conditions are also marked on the inner box label. ECOPACK is an ST trademark. ECOPACK specifications are available at: [www.st.com](http://www.st.com)

Obsolete Product(s) - Obsolete Product(s)

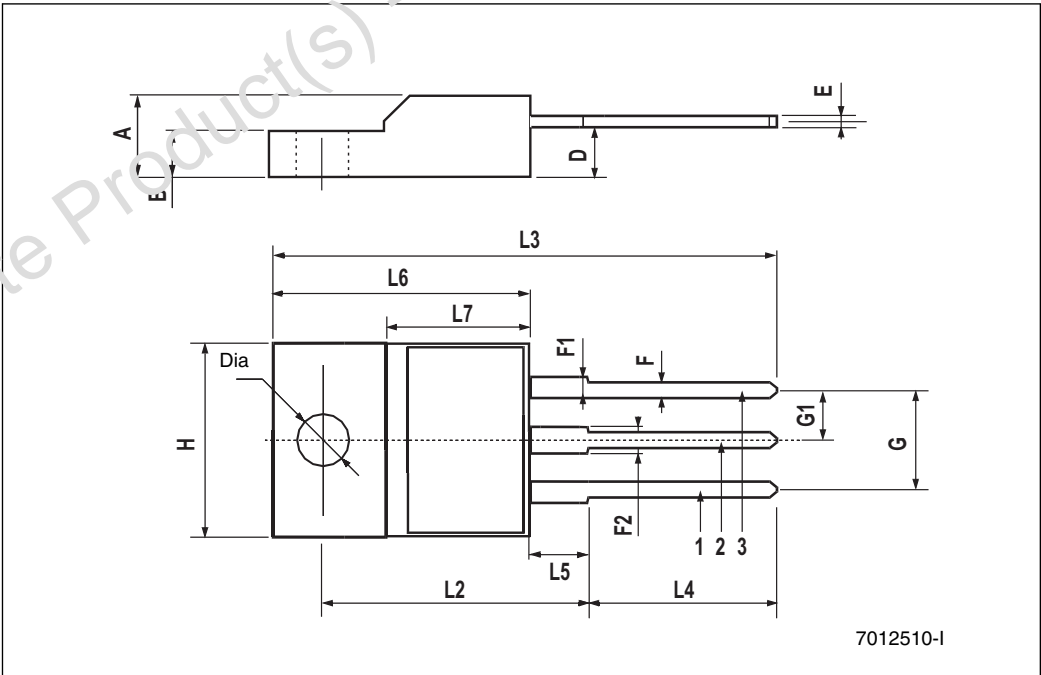
TO-220 mechanical data

| Dim | mm    |       |       | inch  |       |       |
|-----|-------|-------|-------|-------|-------|-------|
|     | Min   | Typ   | Max   | Min   | Typ   | Max   |
| A   | 4.40  |       | 4.60  | 0.173 |       | 0.181 |
| b   | 0.61  |       | 0.88  | 0.024 |       | 0.034 |
| b1  | 1.14  |       | 1.70  | 0.044 |       | 0.066 |
| c   | 0.48  |       | 0.70  | 0.019 |       | 0.027 |
| D   | 15.25 |       | 15.75 | 0.6   |       | 0.62  |
| D1  |       | 1.27  |       |       | 0.050 |       |
| E   | 10    |       | 10.40 | 0.393 |       | 0.409 |
| e   | 2.40  |       | 2.70  | 0.094 |       | 0.106 |
| e1  | 4.95  |       | 5.15  | 0.194 |       | 0.202 |
| F   | 1.23  |       | 1.32  | 0.048 |       | 0.051 |
| H1  | 6.20  |       | 6.60  | 0.244 |       | 0.256 |
| J1  | 2.40  |       | 2.72  | 0.094 |       | 0.107 |
| L   | 13    |       | 14    | 0.511 |       | 0.551 |
| L1  | 3.50  |       | 3.93  | 0.137 |       | 0.154 |
| L20 |       | 16.40 |       |       | 0.645 |       |
| L30 |       | 28.90 |       |       | 1.137 |       |
| ∅P  | 3.75  |       | 3.65  | 0.147 |       | 0.151 |
| Q   | 2.65  |       | 2.95  | 0.104 |       | 0.116 |



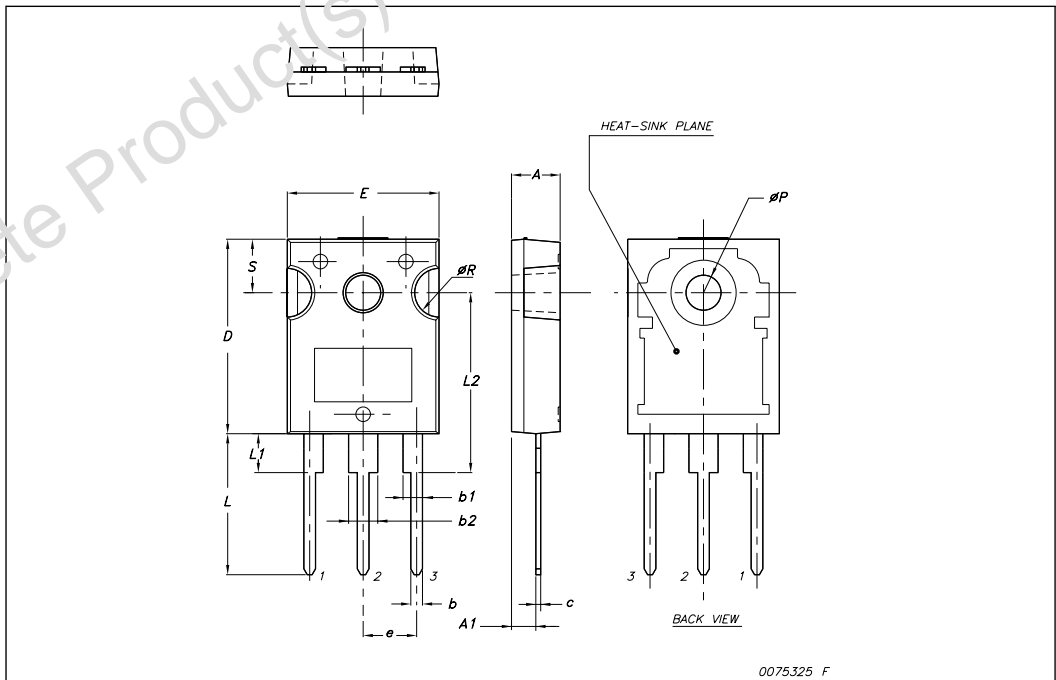
**TO-220FP mechanical data**

| Dim. | mm.   |      |       | inch  |      |       |
|------|-------|------|-------|-------|------|-------|
|      | Min.  | Typ. | Max.  | Min.  | Typ. | Max.  |
| A    | 4.40  |      | 4.60  | 0.173 |      | 0.181 |
| B    | 2.5   |      | 2.7   | 0.098 |      | 0.106 |
| D    | 2.5   |      | 2.75  | 0.098 |      | 0.108 |
| E    | 0.45  |      | 0.70  | 0.017 |      | 0.027 |
| F    | 0.75  |      | 1.00  | 0.030 |      | 0.039 |
| F1   | 1.15  |      | 1.50  | 0.045 |      | 0.067 |
| F2   | 1.15  |      | 1.50  | 0.045 |      | 0.067 |
| G    | 4.95  |      | 5.20  | 0.195 |      | 0.204 |
| G1   | 2.40  |      | 2.70  | 0.094 |      | 0.106 |
| H    | 10    |      | 10.40 | 0.393 |      | 0.409 |
| L2   |       | 16   |       | 0.630 |      |       |
| L3   | 28.6  |      | 30.6  | 1.126 |      | 1.204 |
| L4   | 9.80  |      | 10.60 | 0.385 |      | 0.417 |
| L5   | 2.9   |      | 3.6   | 0.114 |      | 0.141 |
| L6   | 15.90 |      | 16.40 | 0.626 |      | 0.645 |
| L7   | 9     |      | 9.30  | 0.354 |      | 0.366 |
| Dia  | 3     |      | 3.2   | 0.118 |      | 0.126 |



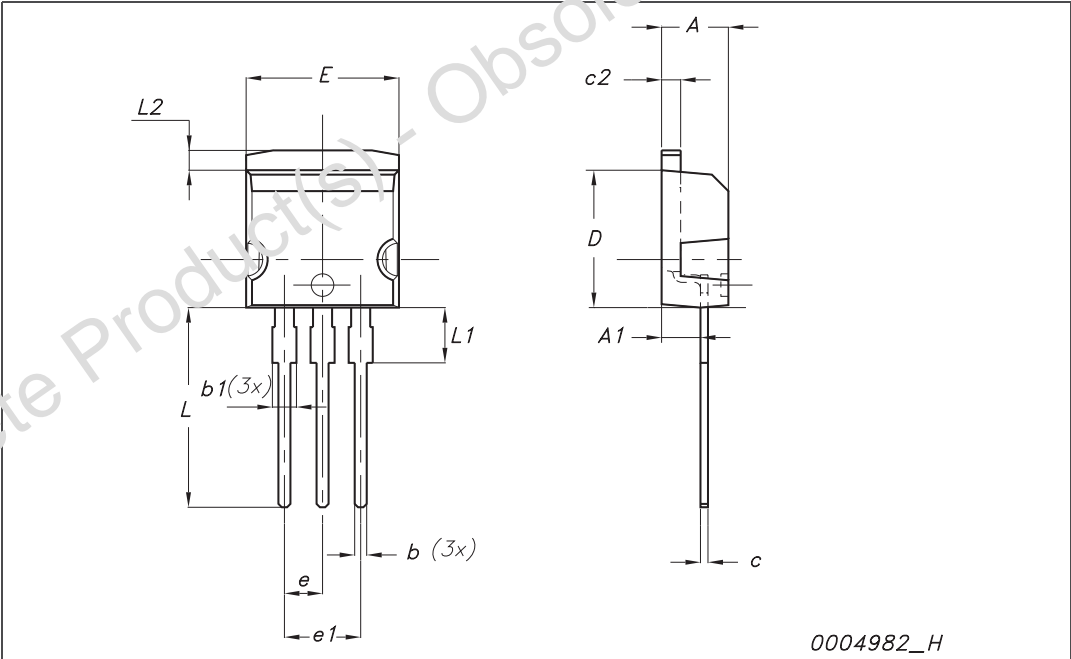
**TO-247 Mechanical data**

| Dim. | mm.   |       |       |
|------|-------|-------|-------|
|      | Min.  | Typ   | Max.  |
| A    | 4.85  |       | 5.15  |
| A1   | 2.20  |       | 2.60  |
| b    | 1.0   |       | 1.40  |
| b1   | 2.0   |       | 2.40  |
| b2   | 3.0   |       | 3.40  |
| c    | 0.40  |       | 0.80  |
| D    | 19.85 |       | 20.15 |
| E    | 15.45 |       | 15.75 |
| e    |       | 5.45  |       |
| L    | 14.20 |       | 14.80 |
| L1   | 3.70  |       | 4.30  |
| L2   |       | 19.50 |       |
| øP   | 3.55  |       | 3.65  |
| øR   | 4.50  |       | 5.50  |
| S    |       | 5.50  |       |



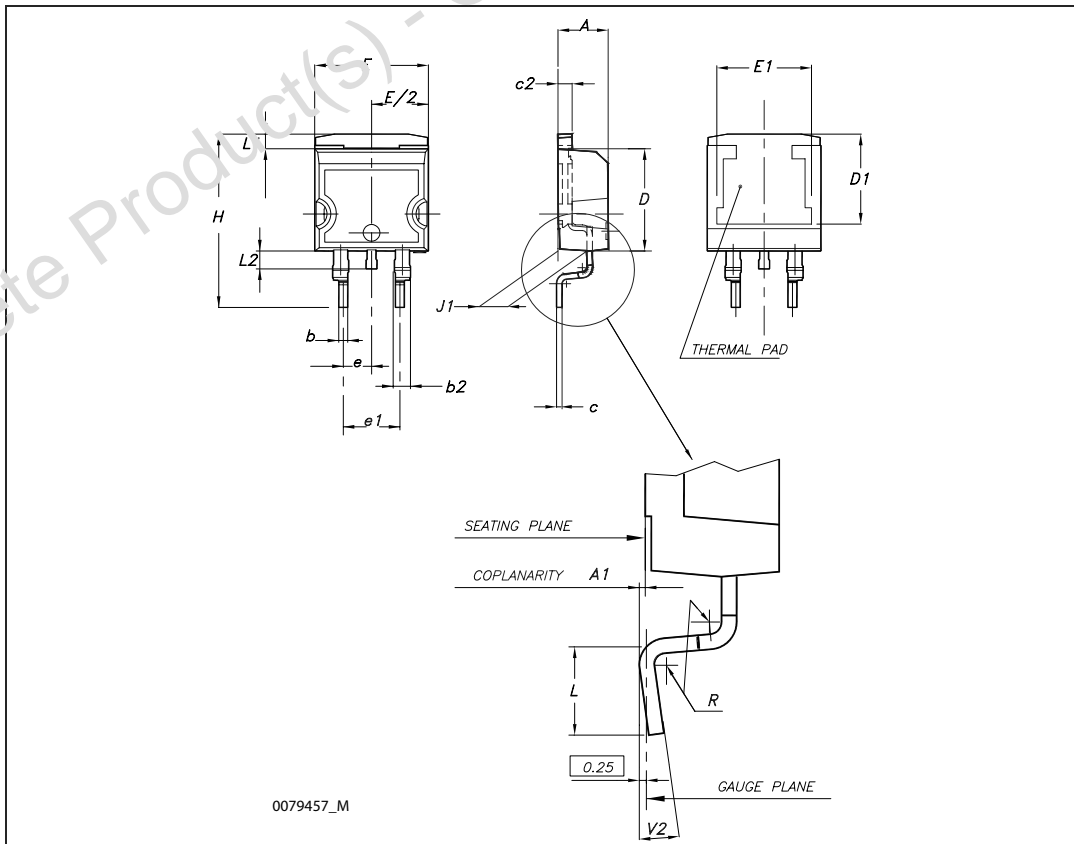
I<sup>2</sup>PAK (TO-262) mechanical data

| Dim | mm   |     |       | inch  |     |       |
|-----|------|-----|-------|-------|-----|-------|
|     | Min  | Typ | Max   | Min   | Typ | Max   |
| A   | 4.40 |     | 4.60  | 0.173 |     | 0.181 |
| A1  | 2.40 |     | 2.72  | 0.094 |     | 0.107 |
| b   | 0.61 |     | 0.88  | 0.024 |     | 0.034 |
| b1  | 1.14 |     | 1.70  | 0.044 |     | 0.066 |
| c   | 0.49 |     | 0.70  | 0.019 |     | 0.027 |
| c2  | 1.23 |     | 1.32  | 0.048 |     | 0.052 |
| D   | 8.95 |     | 9.35  | 0.352 |     | 0.368 |
| e   | 2.40 |     | 2.70  | 0.094 |     | 0.106 |
| e1  | 4.95 |     | 5.15  | 0.194 |     | 0.202 |
| E   | 10   |     | 10.40 | 0.393 |     | 0.410 |
| L   | 13   |     | 14    | 0.511 |     | 0.551 |
| L1  | 3.50 |     | 3.93  | 0.137 |     | 0.154 |
| L2  | 1.27 |     | 1.40  | 0.050 |     | 0.055 |



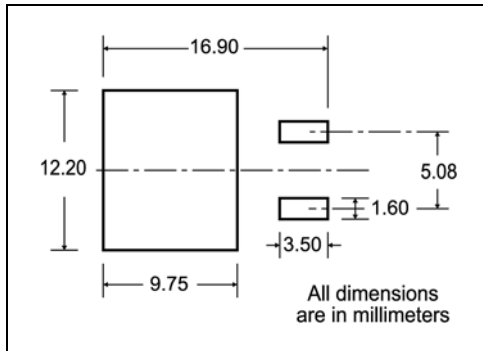
D<sup>2</sup>PAK (TO-263) mechanical data

| Dim | mm   |      |       | inch  |       |       |
|-----|------|------|-------|-------|-------|-------|
|     | Min  | Typ  | Max   | Min   | Typ   | Max   |
| A   | 4.40 |      | 4.60  | 0.173 |       | 0.181 |
| A1  | 0.03 |      | 0.23  | 0.001 |       | 0.009 |
| b   | 0.70 |      | 0.93  | 0.027 |       | 0.037 |
| b2  | 1.14 |      | 1.70  | 0.045 |       | 0.067 |
| c   | 0.45 |      | 0.60  | 0.017 |       | 0.024 |
| c2  | 1.23 |      | 1.36  | 0.048 |       | 0.053 |
| D   | 8.95 |      | 9.35  | 0.352 |       | 0.368 |
| D1  | 7.50 |      |       | 0.295 |       |       |
| E   | 10   |      | 10.40 | 0.394 |       | 0.409 |
| E1  | 8.50 |      |       | 0.334 |       |       |
| e   |      | 2.54 |       |       | 0.1   |       |
| e1  | 4.88 |      | 5.28  | 0.192 |       | 0.208 |
| H   | 15   |      | 15.85 | 0.590 |       | 0.624 |
| J1  | 2.49 |      | 2.69  | 0.098 |       | 0.106 |
| L   | 2.29 |      | 2.79  | 0.090 |       | 0.110 |
| L1  | 1.27 |      | 1.40  | 0.05  |       | 0.055 |
| L2  | 1.30 |      | 1.75  | 0.051 |       | 0.069 |
| R   |      | 0.4  |       |       | 0.016 |       |
| V2  | 0°   |      | 8°    | 0°    |       | 8°    |



# 5 Packaging mechanical data

## D<sup>2</sup>PAK FOOTPRINT



## TAPE AND REEL SHIPMENT

**TAPE MECHANICAL DATA**

| DIM. | mm   |      | inch   |        |
|------|------|------|--------|--------|
|      | MIN. | MAX. | MIN.   | MAX.   |
| AC   | 10.5 | 10.7 | 0.413  | 0.421  |
| BC   | 15.7 | 15.9 | 0.618  | 0.626  |
| D    | 1.5  | 1.6  | 0.059  | 0.063  |
| D1   | 1.59 | 1.61 | 0.062  | 0.063  |
| E    | 1.65 | 1.85 | 0.065  | 0.073  |
| F    | 11.4 | 11.6 | 0.449  | 0.456  |
| K0   | 4.8  | 5.0  | 0.189  | 0.197  |
| P0   | 3.9  | 4.1  | 0.153  | 0.161  |
| P1   | 11.9 | 12.1 | 0.468  | 0.476  |
| P2   | 1.9  | 2.1  | 0.075  | 0.082  |
| R    | 50   |      | 1.574  |        |
| T    | 0.25 | 0.35 | 0.0098 | 0.0137 |
| W    | 23.7 | 24.3 | 0.933  | 0.956  |

**REEL MECHANICAL DATA**

| DIM. | mm   |      | inch  |        |
|------|------|------|-------|--------|
|      | MIN. | MAX. | MIN.  | MAX.   |
| A    |      | 330  |       | 12.992 |
| B    | 1.5  |      | 0.059 |        |
| C    | 12.8 | 13.2 | 0.504 | 0.520  |
| D    | 20.2 |      | 0.795 |        |
| G    | 24.4 | 26.4 | 0.960 | 1.039  |
| N    | 100  |      | 3.937 |        |
| T    |      | 30.4 |       | 1.197  |

| BASE QTY | BULK QTY |
|----------|----------|
| 1000     | 1000     |

10 pitches cumulative tolerance on tape +/- 0.2 mm

Center line of cavity

User Direction of Feed

FEED DIRECTION

TRL

Bending radius R min.

\* on sales type

## 6 Revision history

**Table 9. Document revision history**

| Date        | Revision | Changes   |
|-------------|----------|---|
| 23-Oct-2007 | 1        | First release.  |
| 09-Jul-2008 | 2        | Document status promoted: from preliminary data to datasheet. |

Obsolete Product(s) - Obsolete Product(s)

**Please Read Carefully:**

Information in this document is provided solely in connection with ST products. STMicroelectronics NV and its subsidiaries ("ST") reserve the right to make changes, corrections, modifications or improvements, to this document, and the products and services described herein at any time, without notice.

All ST products are sold pursuant to ST's terms and conditions of sale.

Purchasers are solely responsible for the choice, selection and use of the ST products and services described herein, and ST assumes no liability whatsoever relating to the choice, selection or use of the ST products and services described herein.

No license, express or implied, by estoppel or otherwise, to any intellectual property rights is granted under this document. If any part of this document refers to any third party products or services it shall not be deemed a license grant by ST for the use of such third party products or services, or any intellectual property contained therein or considered as a warranty covering the use in any manner whatsoever of such third party products or services or any intellectual property contained therein.

**UNLESS OTHERWISE SET FORTH IN ST'S TERMS AND CONDITIONS OF SALE ST DISCLAIMS ANY EXPRESS OR IMPLIED WARRANTY WITH RESPECT TO THE USE AND/OR SALE OF ST PRODUCTS INCLUDING WITHOUT LIMITATION IMPLIED WARRANTIES OF MERCHANTABILITY, FITNESS FOR A PARTICULAR PURPOSE (AND THEIR EQUIVALENTS UNDER THE LAWS OF ANY JURISDICTION), OR INFRINGEMENT OF ANY PATENT, COPYRIGHT OR OTHER INTELLECTUAL PROPERTY RIGHT.**

**UNLESS EXPRESSLY APPROVED IN WRITING BY AN AUTHORIZED ST REPRESENTATIVE, ST PRODUCTS ARE NOT RECOMMENDED, AUTHORIZED OR WARRANTED FOR USE IN MILITARY, AIR CRAFT, SPACE, LIFE SAVING, OR LIFE SUSTAINING APPLICATIONS, NOR IN PRODUCTS OR SYSTEMS WHERE FAILURE OR MALFUNCTION MAY RESULT IN PERSONAL INJURY, DEATH, OR SEVERE PROPERTY OR ENVIRONMENTAL DAMAGE. ST PRODUCTS WHICH ARE NOT SPECIFIED AS "AUTOMOTIVE GRADE" MAY ONLY BE USED IN AUTOMOTIVE APPLICATIONS AT USER'S OWN RISK.**

Resale of ST products with provisions different from the statements and/or technical features set forth in this document shall immediately void any warranty granted by ST for the ST product or service described herein and shall not create or extend in any manner whatsoever, any liability of ST.

ST and the ST logo are trademarks or registered trademarks of ST in various countries.

Information in this document supersedes and replaces all information previously supplied.

The ST logo is a registered trademark of STMicroelectronics. All other names are the property of their respective owners.

© 2008 STMicroelectronics - All rights reserved



STMicroelectronics group of companies

Australia - Belgium - Brazil - Canada - China - Czech Republic - Finland - France - Germany - Hong Kong - India - Israel - Italy - Japan - Malaysia - Malta - Morocco - Singapore - Spain - Sweden - Switzerland - United Kingdom - United States of America

[www.st.com](http://www.st.com)

## Looking for pricing, stock, or lifecycle information?

Click below to explore more details on WIN SOURCE:

-  [View STW30NM60N](#) on WIN SOURCE
-  [STMicroelectronics](#) Information

## Optimize Your Supply Chain with WIN SOURCE Solutions

-  Global Sourcing Solution
-  Obsolete Management
-  Cost Control Management
-  Shortage Management
-  Alternative Solution
-  Excess Inventory Management