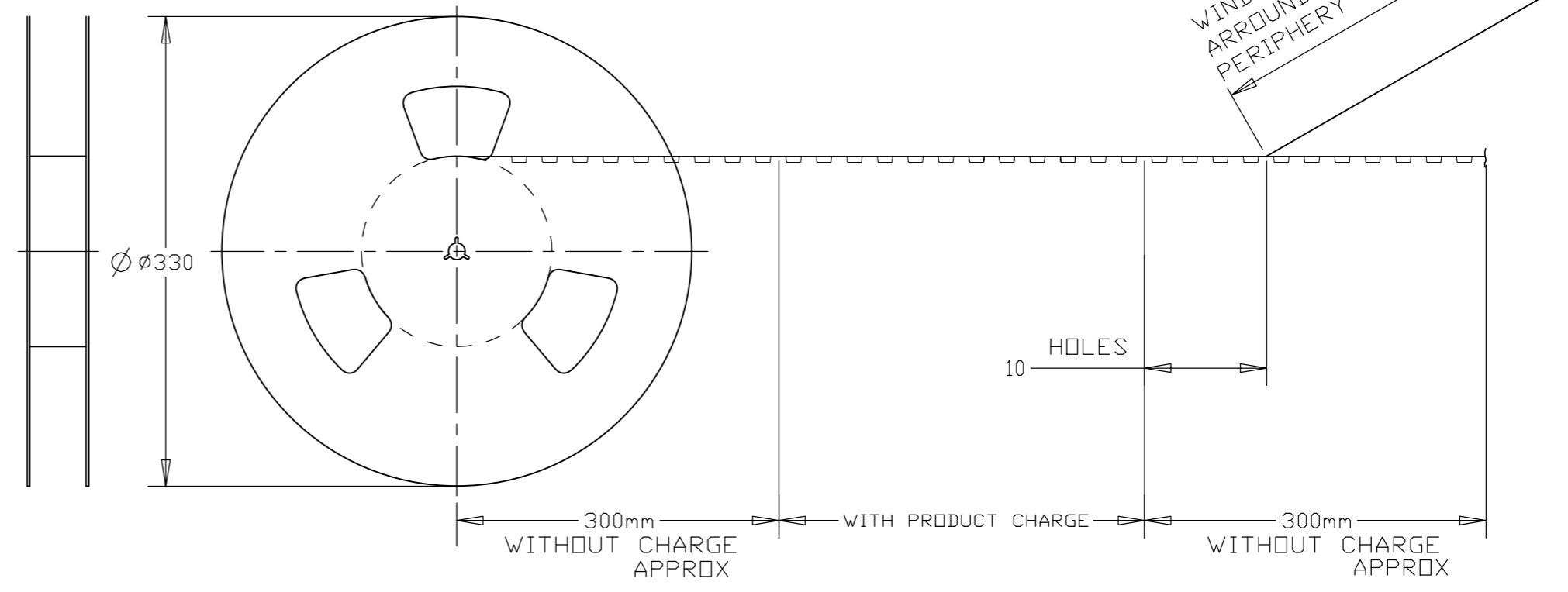
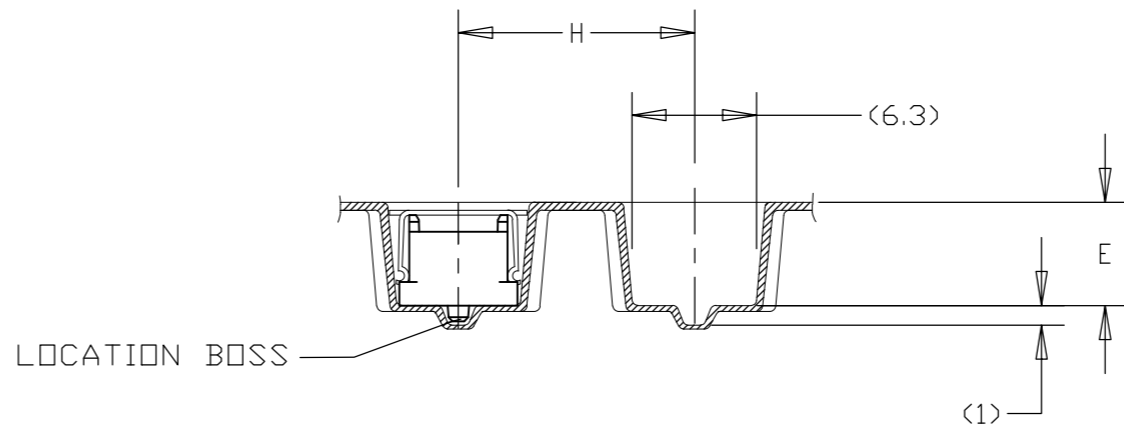
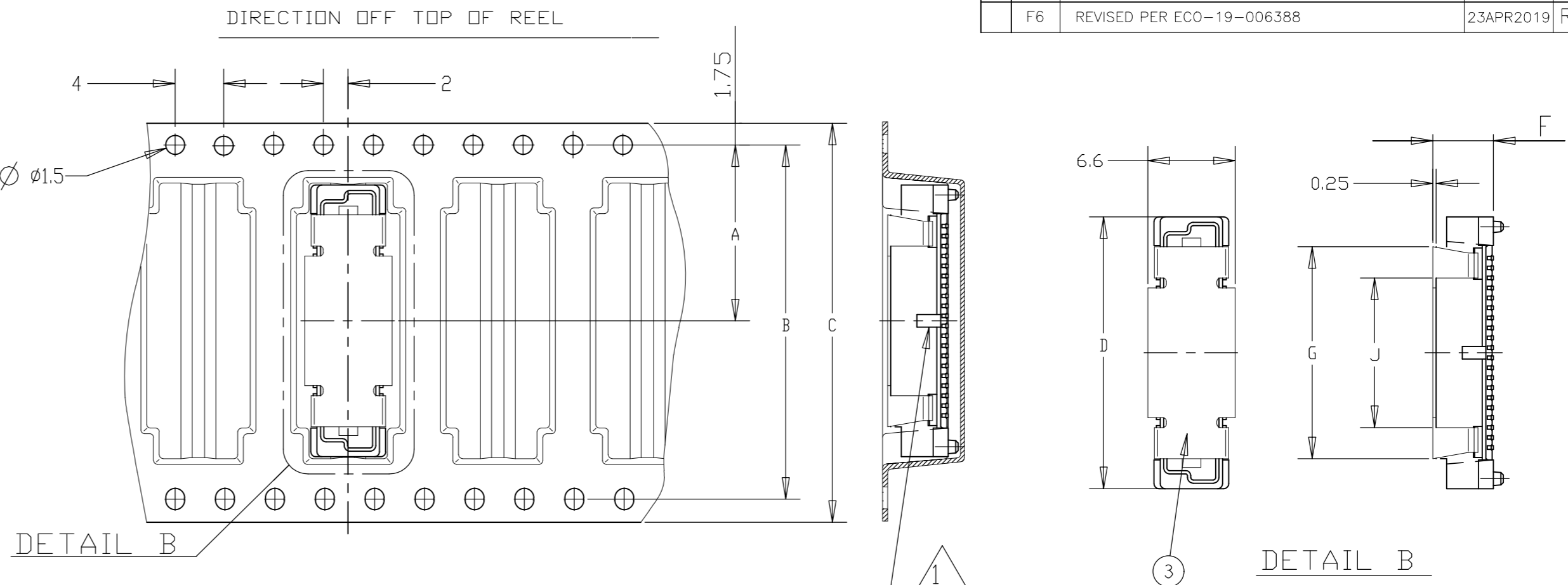


THIS DRAWING IS UNPUBLISHED. RELEASED FOR PUBLICATION
 © COPYRIGHT - TE Connectivity ALL RIGHTS RESERVED.

REVISIONS				
P	LTR	DESCRIPTION	DATE	APVD
F6		REVISED PER ECO-19-006388	23APR2019	R.L. H.L.

- Notes:
- 1 CUTOUT FEATURE AVAILABLE ONLY ON 5H ASSY P/N -1 (40P) AND -2 (60P).
 - 2 0.00038 MIN GOLD PLATING (15u INCHES GOLD PLATING)
 - 3 CONNECTOR DIMENSIONS REFERENCED FROM DRAWING WHICH CONN. P/NS BASED
 - 4 CONNECTOR WITH BLACK HOUSING
 - 5 MATERIAL: HOUSING: L.C.P UL 94-V0. COLOR: NATURAL EXCEPT FOR NOTE 4 CONTACT: BRASS

LOW HALOGEN



REMARKS	QTY	HEIGHT TYPE	DIMENSIONS										POS	SALEABLE PART NO.										
			Y	X	J	H	G	F	E	D	C	B			A									
0.00076 MIN GOLD PLATING (30u INCHES GOLD PLATING)	450	7H	3.6	6.6	12	6.85	7.25	61.8	88	84.4	42.2	140	7-	-6										
								53.8	72	68.4	34.2	120	7-	-5										
								45.8	56	52.4	26.2	100	7-	-4										
								37.8	44	40.4	20.2	80	7-	-3										
								29.8	44	40.4	20.2	60	7-	-2										
								700	7H	3.6	6.6	12	6.85	7.25	21.8	32	28.4	14.2	40	7-5177986-1	69.8	160	6-	-8
								550	16	6.85	7.25	61.8	88	84.4	42.2	140	6-	-6						
								53.8				72	68.4	34.2	120	6-	-5							
								45.8				56	52.4	26.2	100	6-	-4							
								37.8				44	40.4	20.2	80	6-	-3							
29.8	44	40.4	20.2	60	6-	-2																		
800	6H	2.6	5.6	12	5.85	6.25	21.8	32	28.4	14.2	40	6-5177986-1	85.8	200	5-	-0								
0.00076 MIN GOLD PLATING (30u INCHES GOLD PLATING)	650	16	6.85	7.25	69.8	104	100.4	50.2	200	5-	-8													
					61.8	88	84.4	42.2	140	5-	-6													
					53.8	72	68.4	34.2	120	5-	-5													
					45.8	56	52.4	26.2	100	5-	-4													
					37.8	44	40.4	20.2	80	5-	-3													
					900	5H	1.2	4.6	12	4.85	5.25	21.8	32	28.4	14.2	40	5-5177986-1	29.8	60	5-	-2			
					0.00076 MIN GOLD PLATING (30u INCHES GOLD PLATING)	550	6H	2.6	5.6	12	5.85	6.25	69.8	88	84.4	42.2	160	9-5177986-8	61.8	160	5-	-6		
													53.8	72	68.4	34.2	120	9-5177986-5						
													45.8	56	52.4	26.2	100	9-5177986-3						
													37.8	44	40.4	20.2	80	9-5177986-3						
29.8	44	40.4	20.2	60									9-5177986-3											
450	7H	3.6	6.6	12									6.85	7.25	53.8	72	68.4	34.2	120	4-5177986-5	85.8	200	4-	-0
0.0002 MIN GOLD PLATING (7.8u INCHES GOLD PLATING)	400	8H	4.6	7.6									12	7.85	8.25	77.8	104	100.4	50.2	180	3-	-9		
																69.8	88	84.4	42.2	140	3-	-8		
																61.8	72	68.4	34.2	120	3-	-6		
																53.8	56	52.4	26.2	100	3-	-5		
					45.8	44	40.4	20.2	80	3-	-4													
					600	8H	4.6	7.6	12	7.85	8.25	21.8				32	28.4	14.2	40	3-5177986-1	77.8	180	2-	-9
					0.0002 MIN GOLD PLATING (7.8u INCHES GOLD PLATING)	450	16	7.85	8.25	69.8	104	100.4				50.2	160	2-	-8					
										61.8	88	84.4				42.2	140	2-	-6					
										53.8	72	68.4				34.2	120	2-	-5					
										45.8	56	52.4				26.2	100	2-	-4					
37.8	44	40.4	20.2	80						2-	-3													
700	7H	3.6	6.6	12						6.85	7.25	21.8	32	28.4	14.2	40	2-5177986-1	29.8	60	2-	-2			
0.0002 MIN GOLD PLATING (7.8u INCHES GOLD PLATING)	500	7H	3.6	6.6						12	6.85	7.25	21.8	32	28.4	14.2	40	2-5177986-0	61.8	140	1-	-6		
													53.8	120	1-	-5								
													45.8	100	1-	-4								
													37.8	80	1-	-3								
					29.8	60	1-	-2																
					550	16	6.85	7.25	61.8				88	84.4	42.2	140	1-	-6						
					53.8				72				68.4	34.2	120	1-	-5							
					45.8				56				52.4	26.2	100	1-	-4							
					37.8				44				40.4	20.2	80	1-	-3							
					29.8				44				40.4	20.2	60	1-	-2							
800	6H	2.6	5.6	12	5.85	6.25	21.8	32	28.4	14.2	40	1-5177986-1	85.8	200	1-	-0								
0.0002 MIN GOLD PLATING (7.8u INCHES GOLD PLATING)	650	16	6.85	7.25	69.8	104	100.4	50.2	160	1-	-8													
					61.8	88	84.4	42.2	140	1-	-6													
					53.8	72	68.4	34.2	120	1-	-5													
					45.8	56	52.4	26.2	100	1-	-4													
					37.8	44	40.4	20.2	80	1-	-3													
					900	5H	1.2	4.6	12	4.85	5.25	21.8	32	28.4	14.2	40	5177986-1	29.8	60	1-	-2			

STEEL COVER

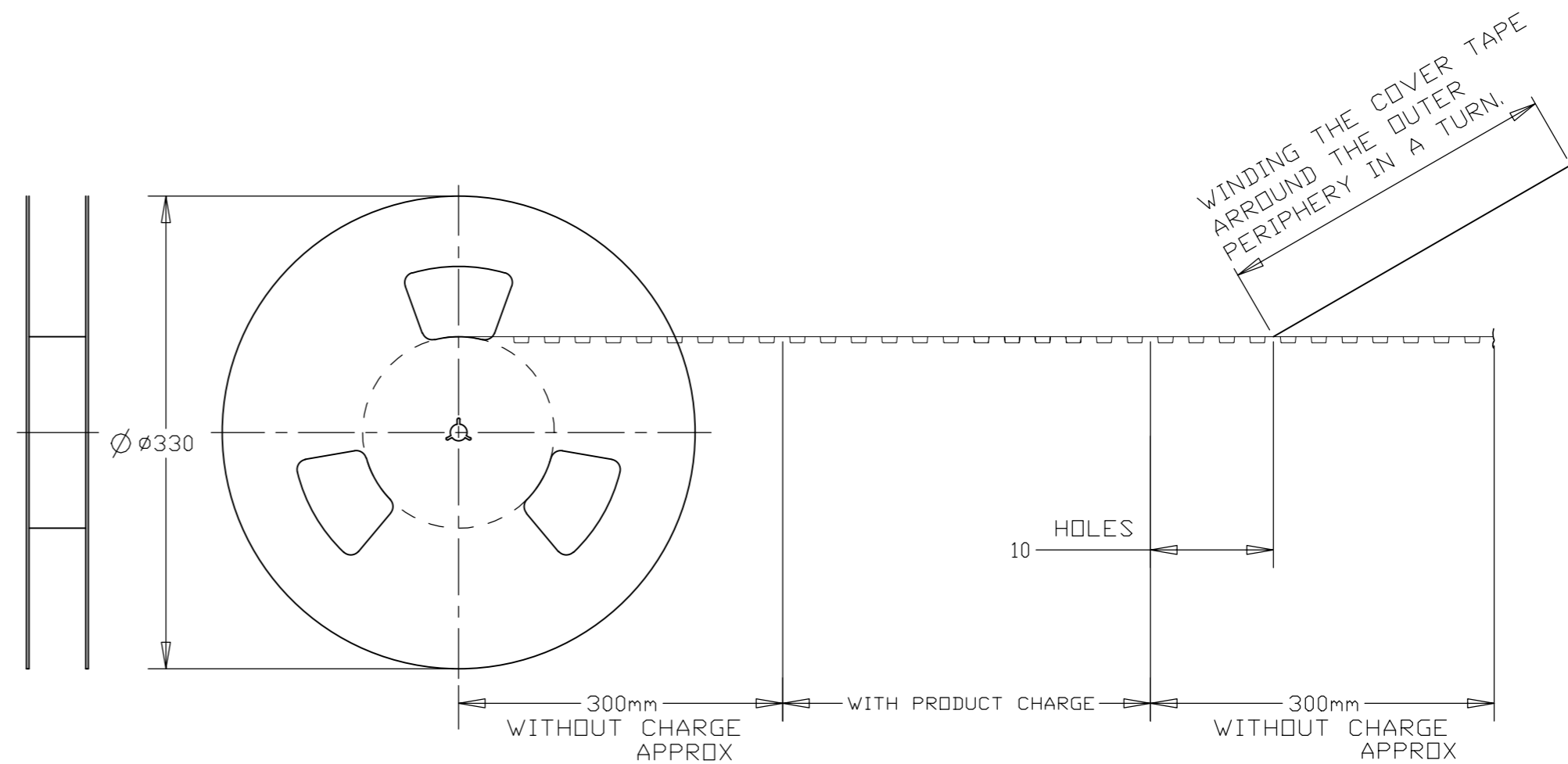
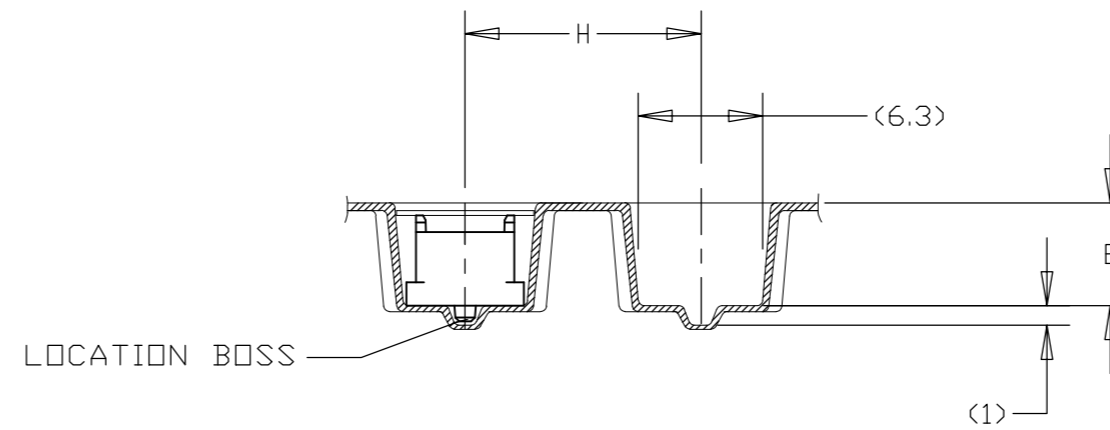
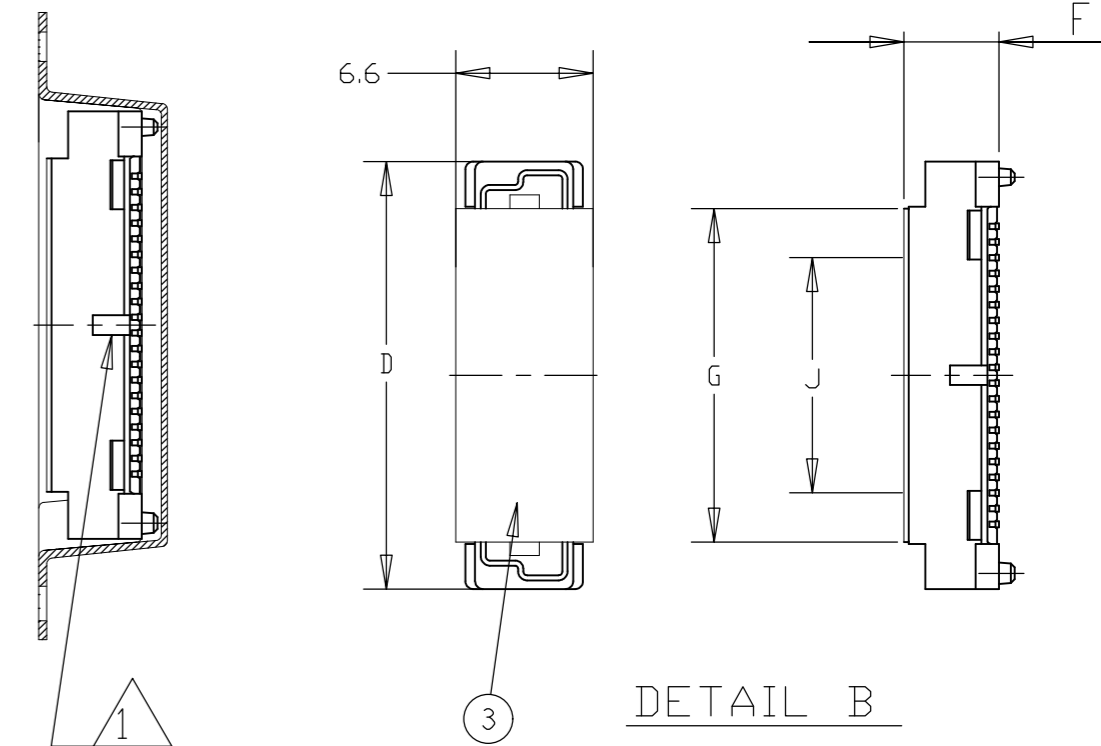
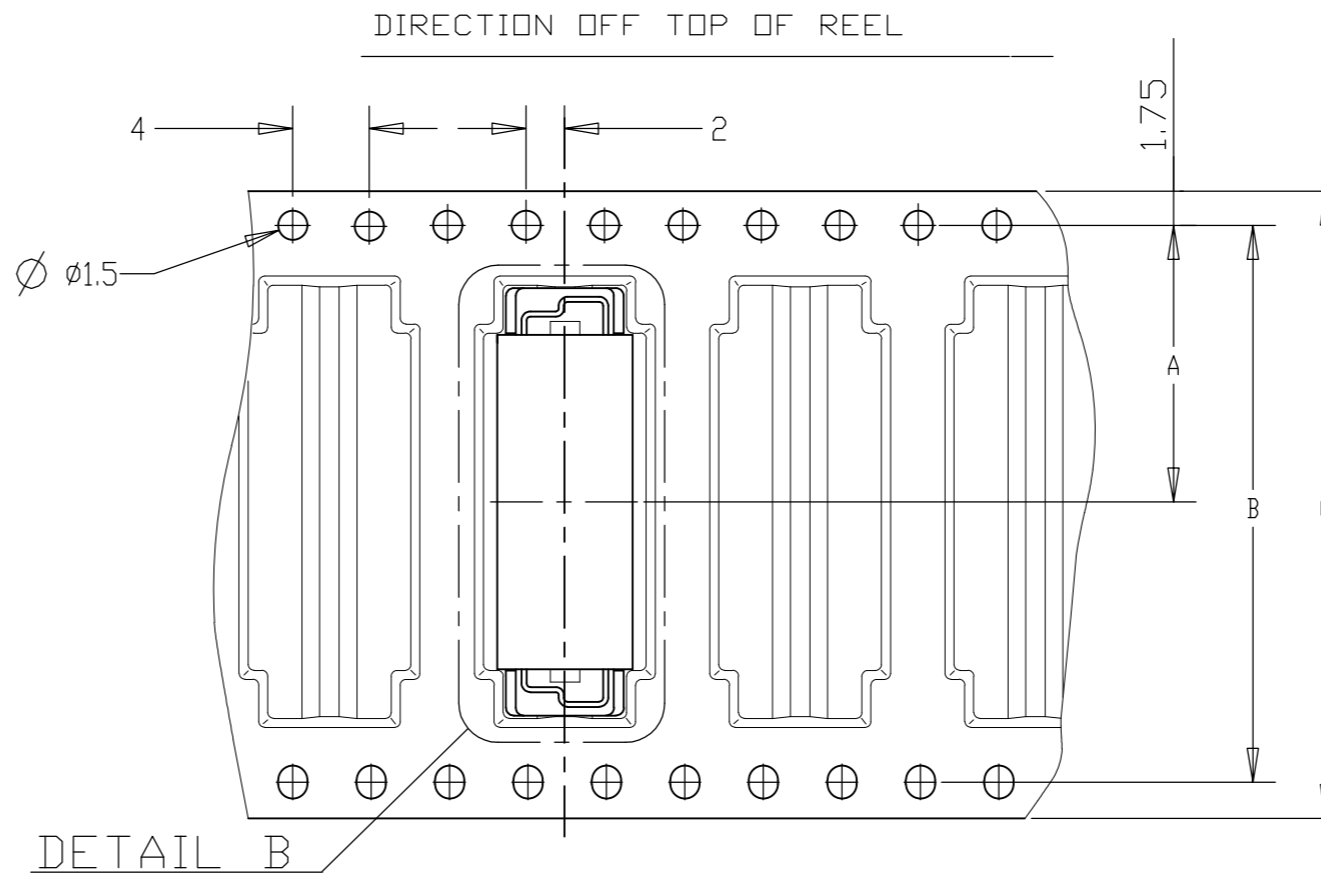
THIS DRAWING IS A CONTROLLED DOCUMENT.		DWN FLORENCE TAN 30AUG2004		
DIMENSIONS: mm		CHK ERIC TNG 30MAY2012		
TOLERANCES UNLESS OTHERWISE SPECIFIED:		APVD SF LEONG 30MAY2012	NAME	
0 PLC ± -		PLUG ASSEMBLY, FH 0.8		
1 PLC ± 0.2		ON TAPING (EMBOSS) 0.5 BOSS LENGTH		
2 PLC ± 0.15		APPLICATION SPEC		
3 PLC ± 0.1		SIZE CAGE CODE DRAWING NO RESTRICTED TO		
4 PLC ± -		WEIGHT 0 A2 00779 C=5177986		
ANGLES ± -		SCALE 1:1 SHEET 1 OF 4 REV F6		
FINISH		CUSTOMER DRAWING		

THIS DRAWING IS UNPUBLISHED. RELEASED FOR PUBLICATION
 © COPYRIGHT - TE Connectivity ALL RIGHTS RESERVED.

REVISIONS					
P	LTR	DESCRIPTION	DATE	DWN	APVD
-	-	SEE SHEET 1	-	-	-

LOW HALOGEN

Notes:
 6 0.0002 MIN GOLD PLATING
 (7.8u INCHES GOLD PLATING)



POLYIMIDE COVER

REMARKS	QTY	HEIGHT TYPE	Y	X	J	H	G	F	E	D	C	B	A	POS	SALEABLE PART NO.
															9-5177986-6

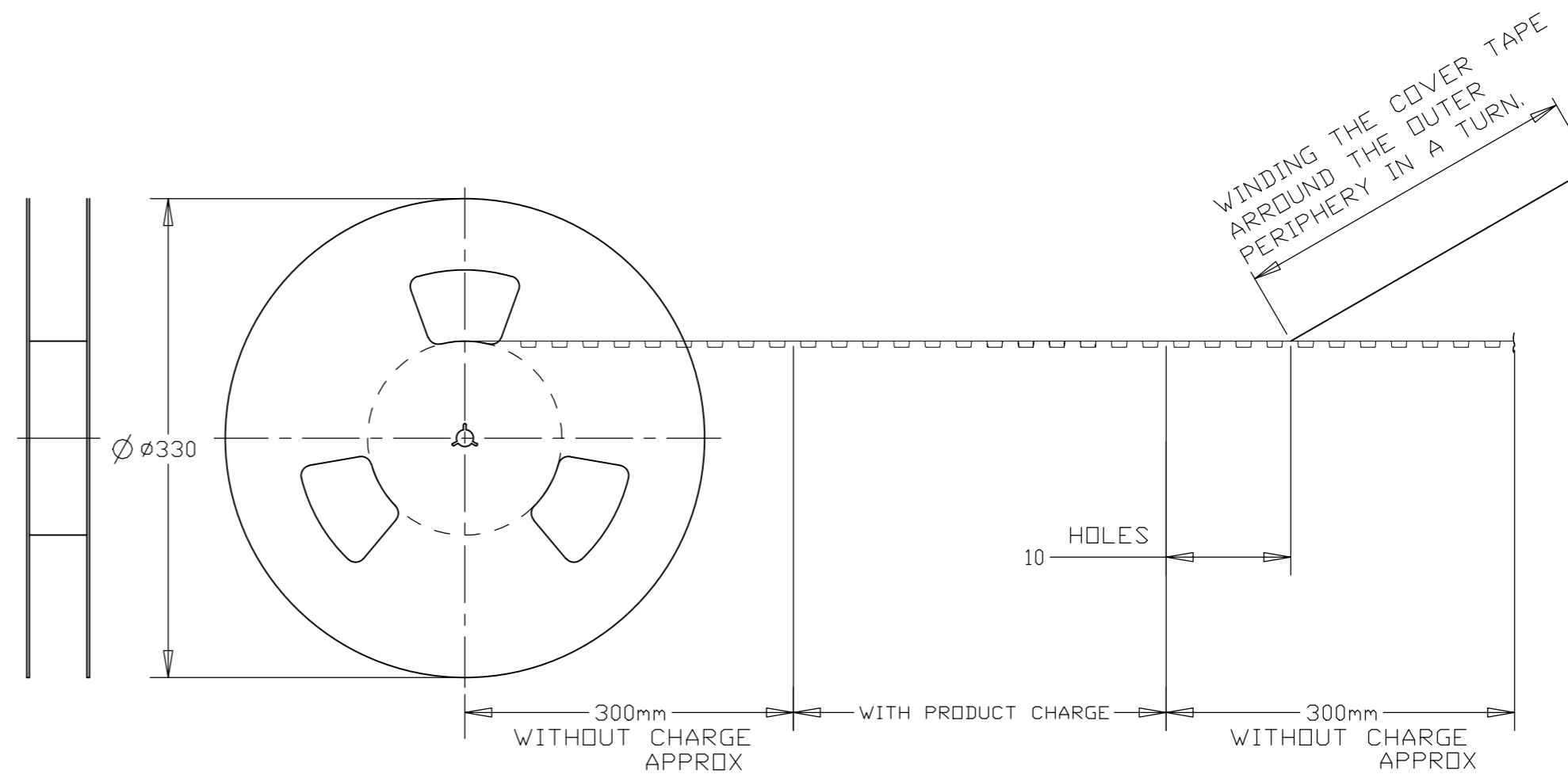
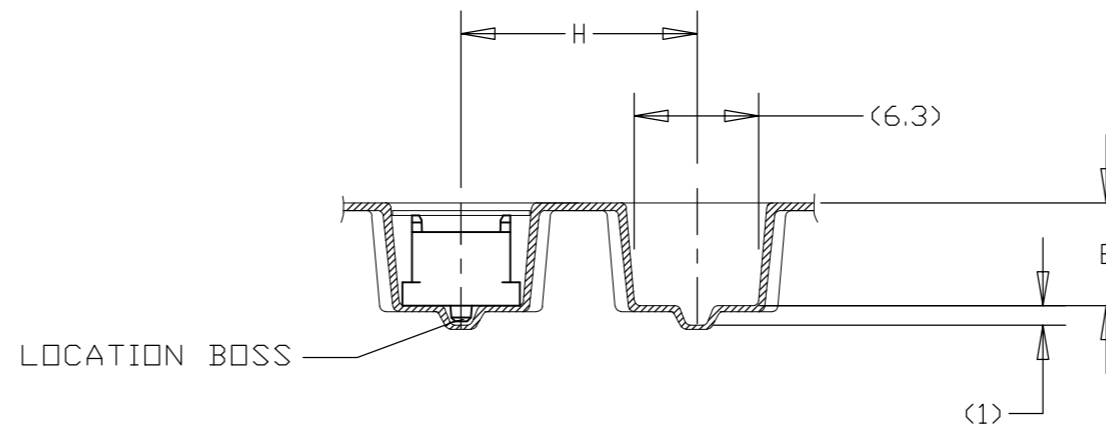
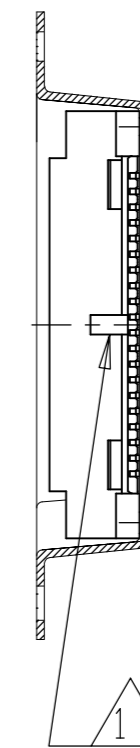
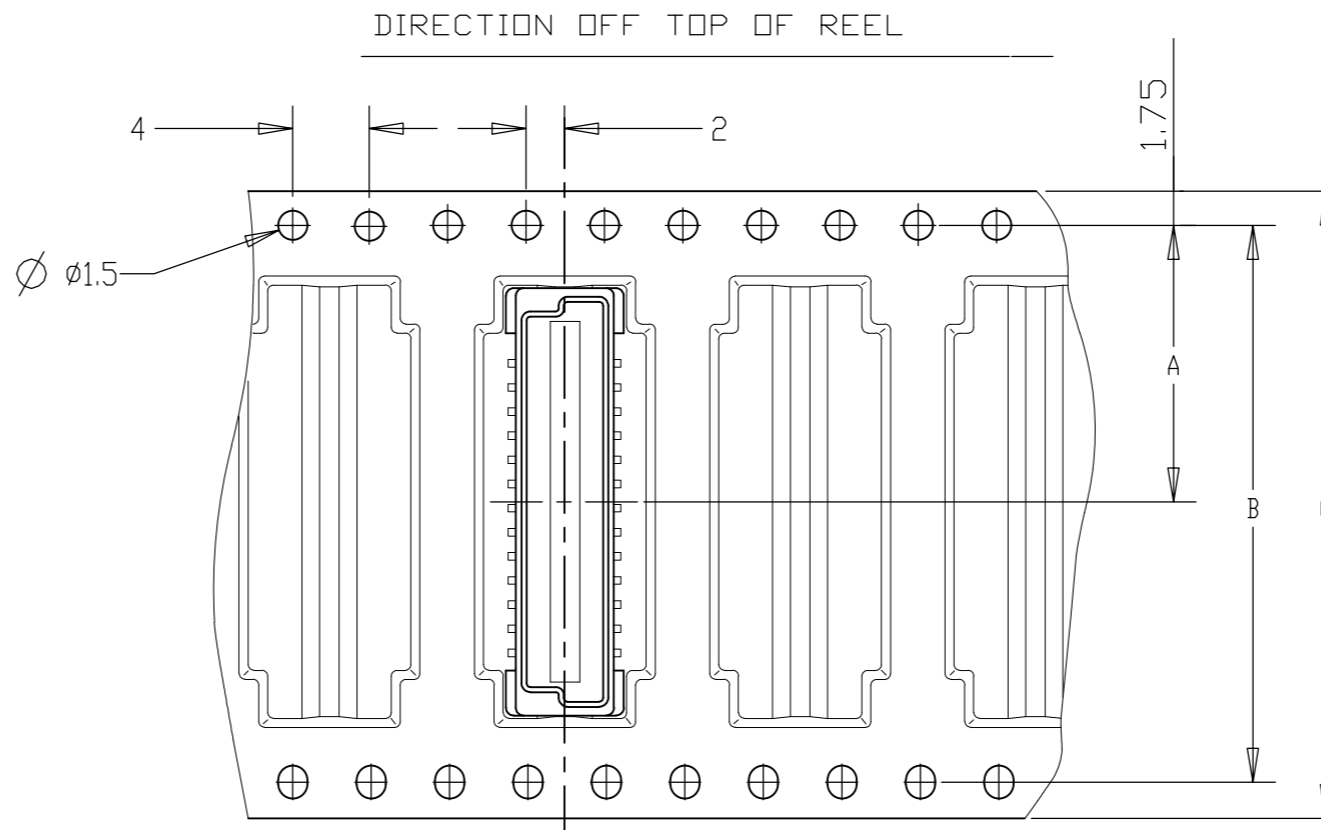
THIS DRAWING IS A CONTROLLED DOCUMENT.		DWN FLORENCE TAN 30AUG2004	TE Connectivity		
DIMENSIONS: mm		CHK ERIC TNG 30MAY2012			
TOLERANCES UNLESS OTHERWISE SPECIFIED:		APVD SF LEONG 30MAY2012	NAME PLUG ASSEMBLY, FH 0.8 ON TAPING (EMBOSS) 0.5 BOSS LENGTH		
0 PLC ± - 1 PLC ± 0.2 2 PLC ± 0.15 3 PLC ± 0.1 4 PLC ± - ANGLES ± -		PRODUCT SPEC	RESTRICTED TO		
MATERIAL		FINISH	SIZE A2	CAGE CODE 00779	DRAWING NO. C-5177986
			WEIGHT 0		
CUSTOMER DRAWING			SCALE 1:1	SHEET 2 of 4	REV F6

THIS DRAWING IS UNPUBLISHED. RELEASED FOR PUBLICATION
 © COPYRIGHT - TE Connectivity ALL RIGHTS RESERVED.

REVISIONS					
P	LTR	DESCRIPTION	DATE	DWN	APVD
-	-	SEE SHEET 1	-	-	-

LOW HALOGEN

Notes:
 2 0.00038 MIN GOLD PLATING
 (15u INCHES GOLD PLATING)



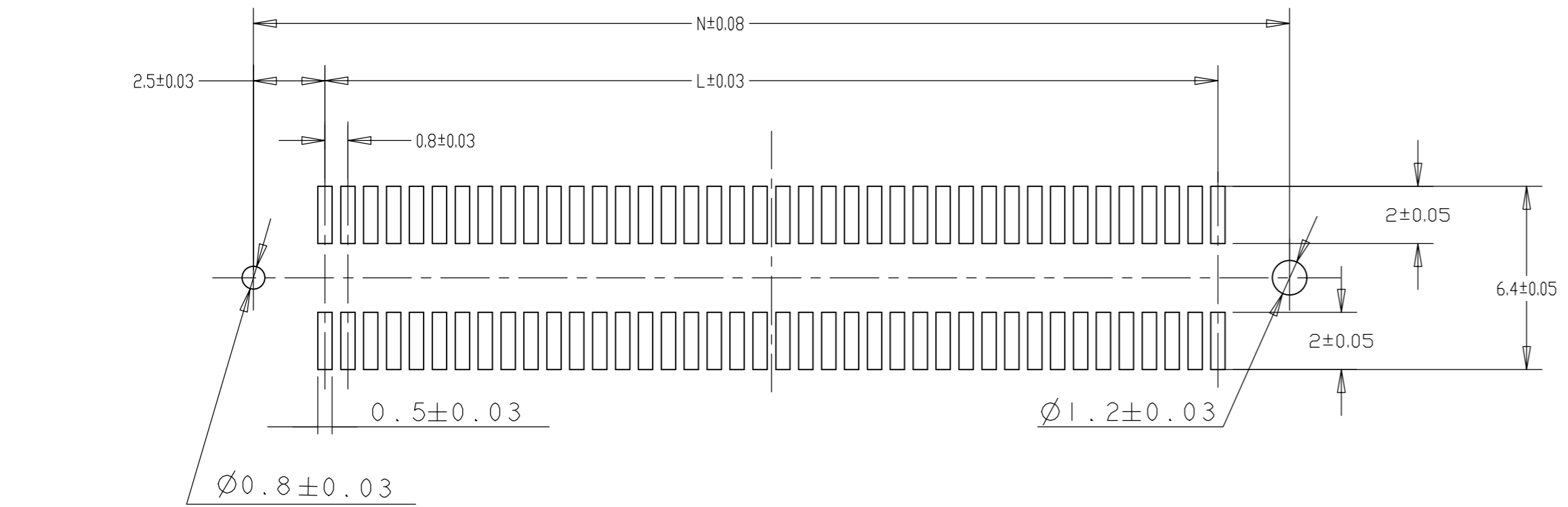
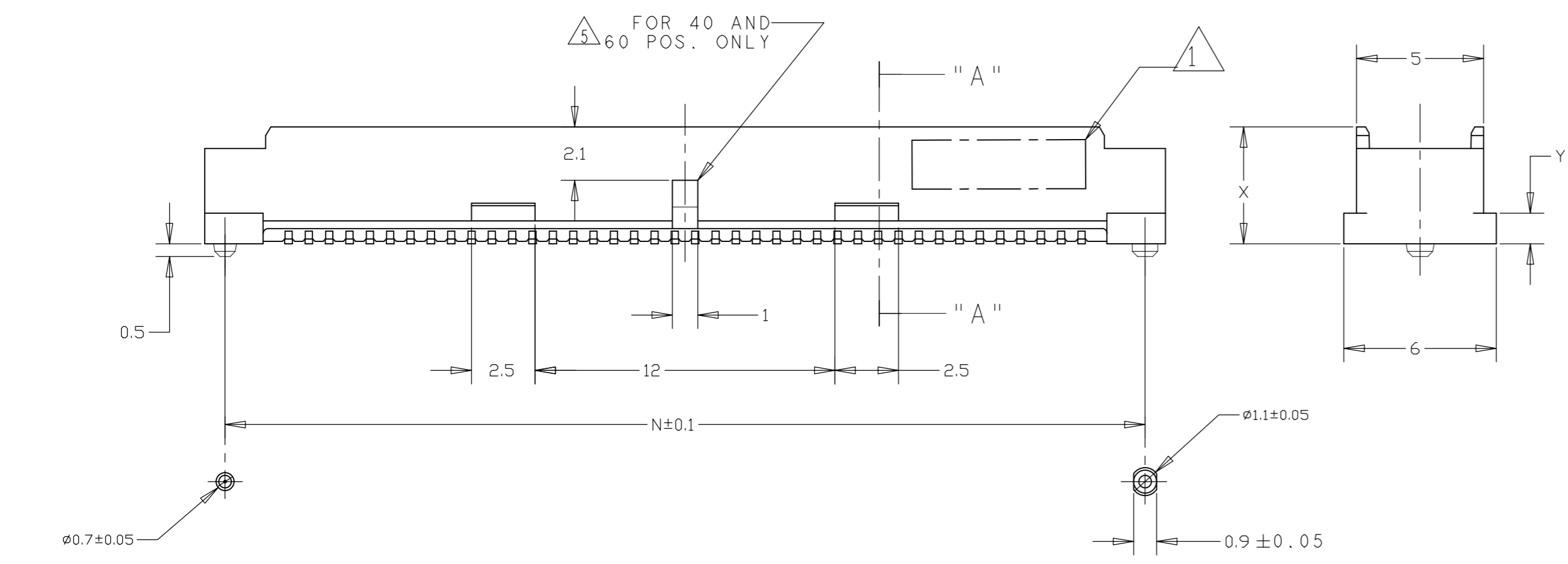
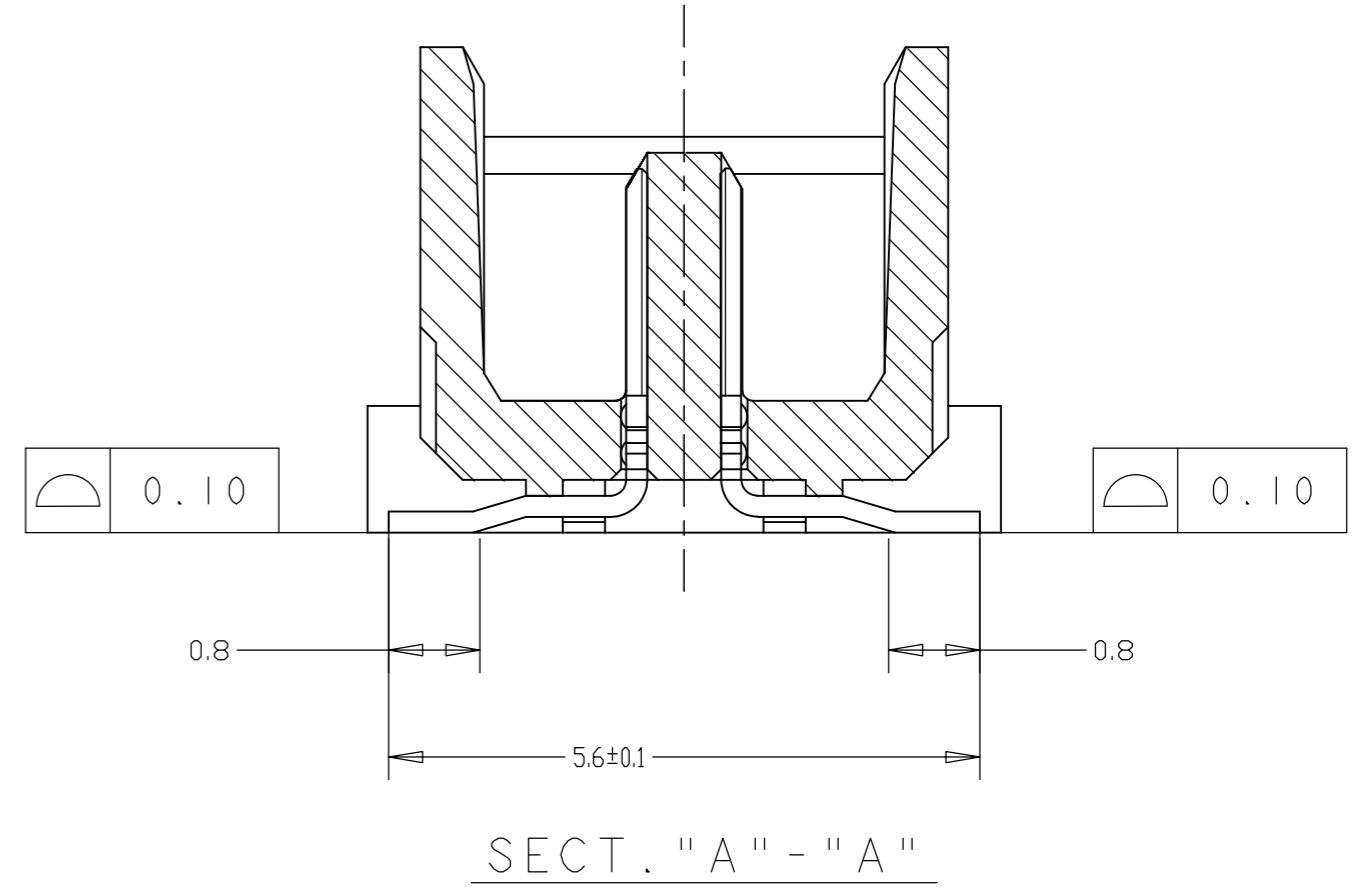
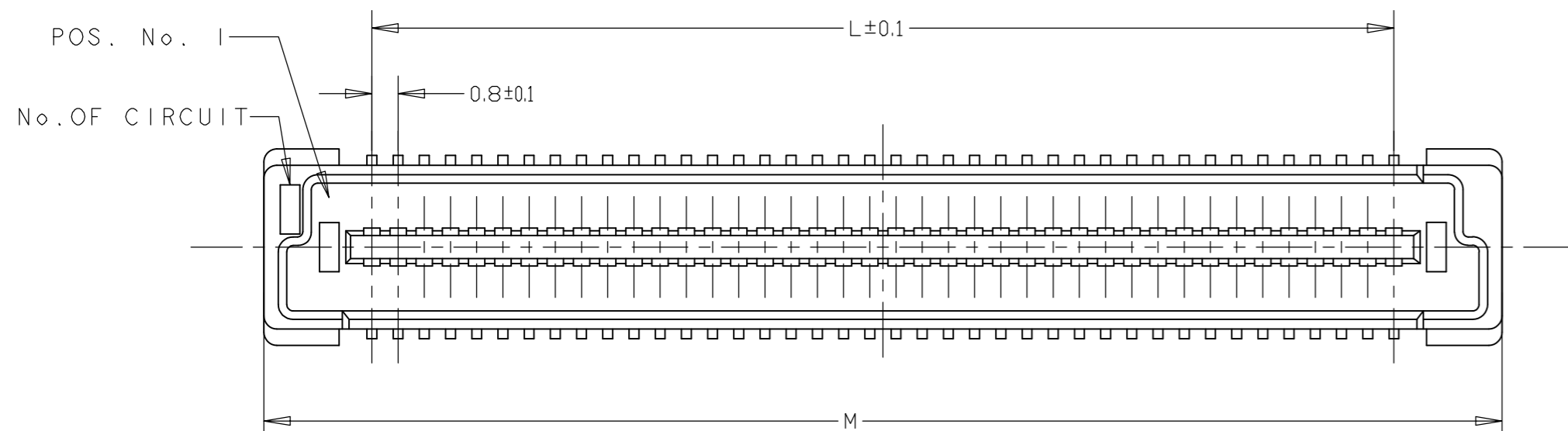
WITHOUT COVER

REMARKS	QTY	HEIGHT TYPE	Y	X	H	E	C	B	A	PDS	SALEABLE PART NO.
	650	5H	1.2	4.6	16	5.25	88	84.4	42.2	160	8-5177986-8
	650	5H	1.2	4.6	16	5.25	72	68.4	34.2	120	8-5177986-5

THIS DRAWING IS A CONTROLLED DOCUMENT.		DWN FLORENCE TAN 30AUG2004	TE Connectivity																						
DIMENSIONS: mm		CHK ERIC TNG 30MAY2012																							
TOLERANCES UNLESS OTHERWISE SPECIFIED:		APVD SF LEONG 30MAY2012	NAME PLUG ASSEMBLY, FH 0.8 ON TAPING (EMBOSS) 0.5 BOSS LENGTH																						
<table border="1"> <tr><td>0 PLC</td><td>±</td><td>-</td></tr> <tr><td>1 PLC</td><td>±</td><td>0.2</td></tr> <tr><td>2 PLC</td><td>±</td><td>0.15</td></tr> <tr><td>3 PLC</td><td>±</td><td>0.1</td></tr> <tr><td>4 PLC</td><td>±</td><td>-</td></tr> <tr><td>ANGLES</td><td>±</td><td>-</td></tr> <tr><td>FINISH</td><td>-</td><td>-</td></tr> </table>		0 PLC	±	-	1 PLC	±	0.2	2 PLC	±	0.15	3 PLC	±	0.1	4 PLC	±	-	ANGLES	±	-	FINISH	-	-	PRODUCT SPEC -	SIZE A2	
0 PLC	±	-																							
1 PLC	±	0.2																							
2 PLC	±	0.15																							
3 PLC	±	0.1																							
4 PLC	±	-																							
ANGLES	±	-																							
FINISH	-	-																							
MATERIAL -		APPLICATION SPEC -	CAGE CODE 00779	DRAWING NO. C-5177986	RESTRICTED TO -																				
		WEIGHT 0	CUSTOMER DRAWING		SCALE 1:1																				
		SHEET 3 of 4		REV F6																					

THIS DRAWING IS UNPUBLISHED. RELEASED FOR PUBLICATION
 © COPYRIGHT - TE Connectivity ALL RIGHTS RESERVED.

REVISIONS				
P	LTR	DESCRIPTION	DATE	APVD
-	-	SEE SHEET 1	-	-



RECOMMENDED P.C. BOARD LAYOUT

LOW HALOGEN

CONNECTOR ONLY

84.2	85.8	79.2	200
76.2	77.8	71.2	180
68.2	69.8	63.2	160
60.2	61.8	55.2	140
52.2	53.8	47.2	120
44.2	45.8	39.2	100
36.2	37.8	31.2	80
28.2	29.8	23.2	60
20.2	21.8	15.2	40
N	M	L	POS.

THIS DRAWING IS A CONTROLLED DOCUMENT.		DWN FLORENCE TAN 30AUG2004	TE Connectivity	
DIMENSIONS: mm		CHK ERIC TNG 30MAY2012	PLUG ASSEMBLY, FH 0.8 ON TAPING (EMBOSS) 0.5 BOSS LENGTH	
TOLERANCES UNLESS OTHERWISE SPECIFIED:		APVD SF LEONG 30MAY2012	NAME	RESTRICTED TO
0 PLC ± -		PRODUCT SPEC	SIZE	00779
1 PLC ± 0.2		APPLICATION SPEC	CAGE CODE	C=5177986
2 PLC ± 0.15		WEIGHT	DRAWING NO	REV F6
3 PLC ± 0.1		MATERIAL	SCALE	1:1
4 PLC ± -		FINISH	SHEET	4 of 4
ANGLES ± -		CUSTOMER DRAWING		

Looking for pricing, stock, or lifecycle information?

Click below to explore more details on WIN SOURCE:

 [View 3-5177986-2 on WIN SOURCE](#)

 [TE Connectivity](#) Information

Optimize Your Supply Chain with WIN SOURCE Solutions

-  Global Sourcing Solution
-  Obsolete Management
-  Cost Control Management
-  Shortage Management
-  Alternative Solution
-  Excess Inventory Management