

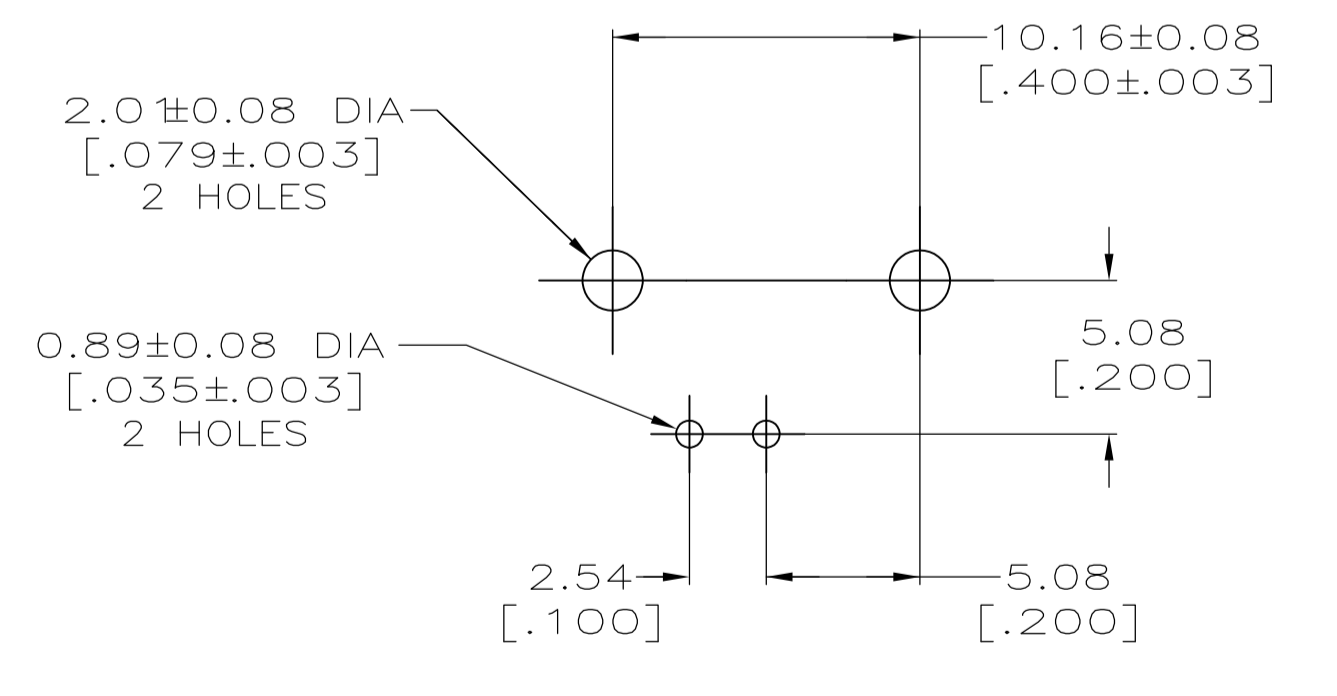
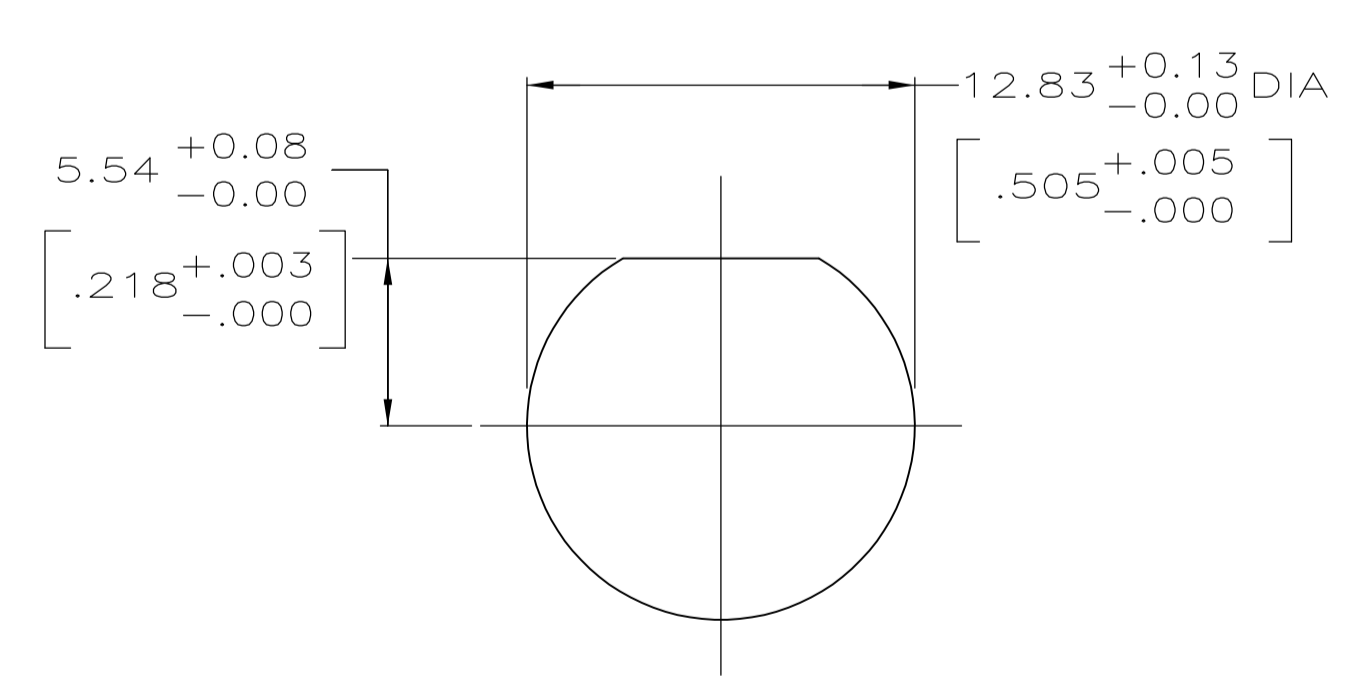
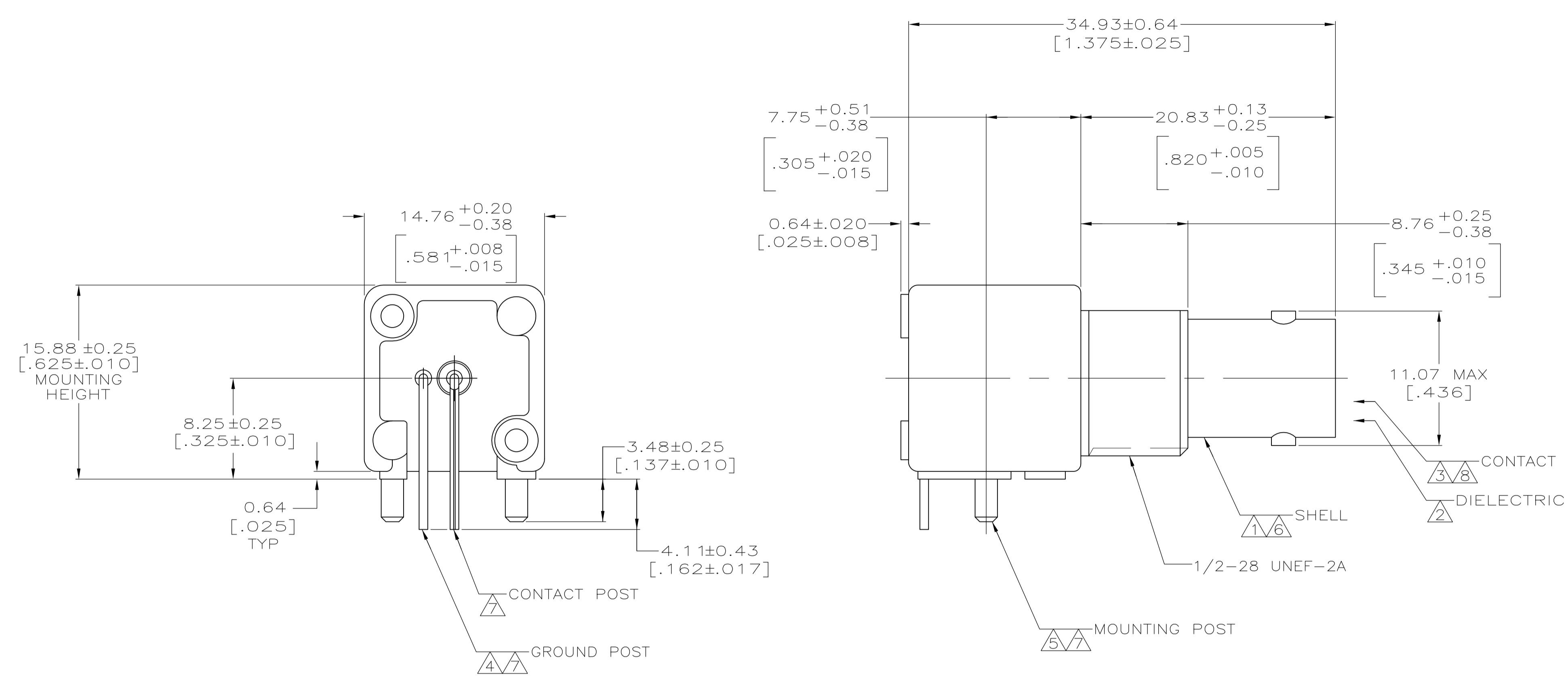


THE DATASHEET OF
5227677-1



LOC		DIST		REVISIONS			
P	LTR	DESCRIPTION	DATE	DWN	APVD		
AJ	16						
A1		REVISED PER ECO-11-005030	11MAR11	RK	HMR		

- 1 ZINC PER QQ-Z-363.
- 2 POLYMETHYLPENTENE PER ASTM D 1238.
- 3 PHOSPHOR BRONZE PER QQ-B-750.
- 4 BRASS PER ASTM B 453.
- 5 BRASS PER ASTM B 16.
- 6 NICKEL PLATE PER QQ-N-290, 3.81μm [.000150] MINIMUM THICK.
- 7 TIN PLATE PER ASTM B 545, 3.81μm [.000150] MINIMUM THICK.
- 8 GOLD PLATE PER ASTM B 488, 0.76μm [.000030] MINIMUM THICK.
- 9. SEE INSTRUCTION SHEET 408-2769.



RECOMMENDED PANEL CUTOUT

PCB CONFIGURATION

5227677-1
PART NUMBER

THIS DRAWING IS A CONTROLLED DOCUMENT.		DIN L VARELA - 20APR2005		STE TE Connectivity	
DIMENSIONS: mm (INCHES)		CHK J HAVENER		NAME	
TOLERANCES UNLESS OTHERWISE SPECIFIED:		APVD J LIPPERT 23JUN2005		PRODUCT SPEC	
0 PLC ± -		PRODUCT SPEC		108-12078	
1 PLC ± -		APPLICATION SPEC		SIZE CAGE CODE DRAWING NO	
2 PLC ± 0.05 [.002]		RESTRICTED TO		A1 00779 C=5227677	
3 PLC ± -		CUSTOMER DRAWING		SCALE 4:1 SHEET 1 OF 1 REV A1	
4 PLC ± -					
ANGLES ± -					
MATERIAL SEE NOTES		FINISH SEE NOTES		WEIGHT -	

Looking for pricing, stock, or lifecycle information?

Click below to explore more details on WIN SOURCE:

 [View 5227677-1](#) on WIN SOURCE

 [TE Connectivity](#) Information

Optimize Your Supply Chain with WIN SOURCE Solutions

-  Global Sourcing Solution
-  Obsolete Management
-  Cost Control Management
-  Shortage Management
-  Alternative Solution
-  Excess Inventory Management