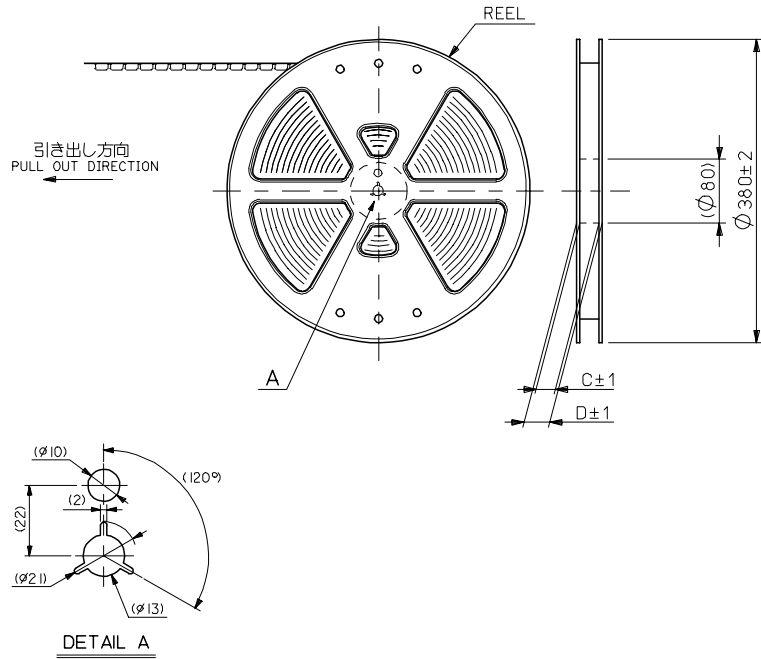




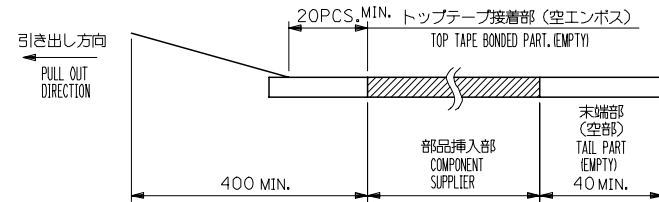
**THE DATASHEET OF**  
**543933381**



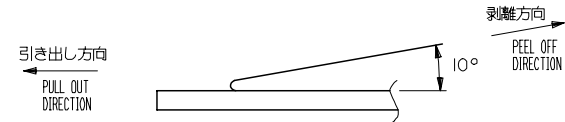


**注記 NOTES**

- 製品詳細寸法については、図面SD-54393-024を参照下さい。  
RE DETAILED DIMENSION, SEE SD-54393-024.
- 梱包数量：2000個/リール  
NUMBER OF CONNECTORS : 2000PCS/REEL
- リードテープ長さ LEAD TAPE LENGTH



- トップテープの剥離強度：0.1N~1.3N {10gf~130gf}  
(剥離方向は下図参照)  
尚、本規格値は出荷時に適用。(但し、輸送時に剥離が発生しないこと。)  
PEELING OFF FORCE OF TOP TAPE : 0.1N ~ 1.3N(10gf ~ 130gf)  
(PEELING DIRECTION AS SHOWN IN FOLLOWING FIG.)  
THIS REQUIREMENT SHOULD BE APPLIED AT SHIPMENT.  
PEEL OFF SHOULD NOT BE ALLOWED, DURING TRANSPORTATION.



- 材料 (MATERIAL)  
キャリアテープ (CARRIER TAPE) : ポリプロピレン (POLYPROPYLENE)  
トップテープ (TOP TAPE) : PET, PE, PEF  
リール (REEL) : ポリスチレン (PS) <リサイクル材を含む>  
POLYSTYRENE (PS) <RECYCLE MATERIAL CONTAINED>
- 本製品は54393-\*\*-91の鉛フリー品です。  
THIS PRODUCT IS LEAD FREE OF 54393-\*\*-91

54393-\*\*-81 MODEL NO.

REVISED EC NO: J2006-3255 DRW:HYAJIMA 2006/05/22 CHKD:TANAKA 2006/05/22 APPR:NUKITA 2006/05/26	GENERAL TOLERANCES (UNLESS SPECIFIED)		DIMENSION STYLE MM ONLY	SCALE ---	DESIGN UNITS METRIC	THIRD ANGLE PROJECTION
	10 UNDER	± ---	DRAWN BY H. SHIMABUKUR	DATE '04/01/29	TITLE 0.3 FPC CONN (EASY ON) HSG ASSY EMBSTP PKG -LEAD FREE-	
	10 OVER 30 UNDER	± ---	CHECKED BY K. TOJO	DATE '04/01/29	MOLEX INCORPORATED	
	30 OVER	± ---	APPROVED BY M. SASAO	DATE '04/01/29	DOCUMENT NO. SD-54393-023	SHEET NO. 1 OF 4
	ANGULAR	± --- °	MATERIAL NO. SEE CHART			
	DRAFT WHERE APPLICABLE MUST REMAIN WITHIN DIMENSIONS		SIZE A3	THIS DRAWING CONTAINS INFORMATION THAT IS PROPRIETARY TO MOLEX INCORPORATED AND SHOULD NOT BE USED WITHOUT WRITTEN PERMISSION		

10 9 8 7 6 5 4 3 2 1

F

E

D

C

B

A

F

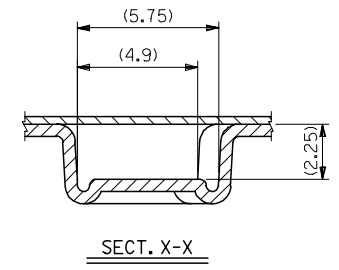
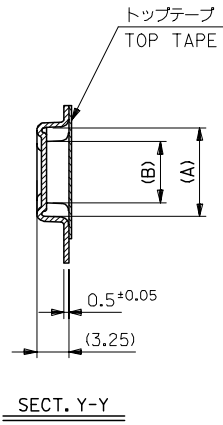
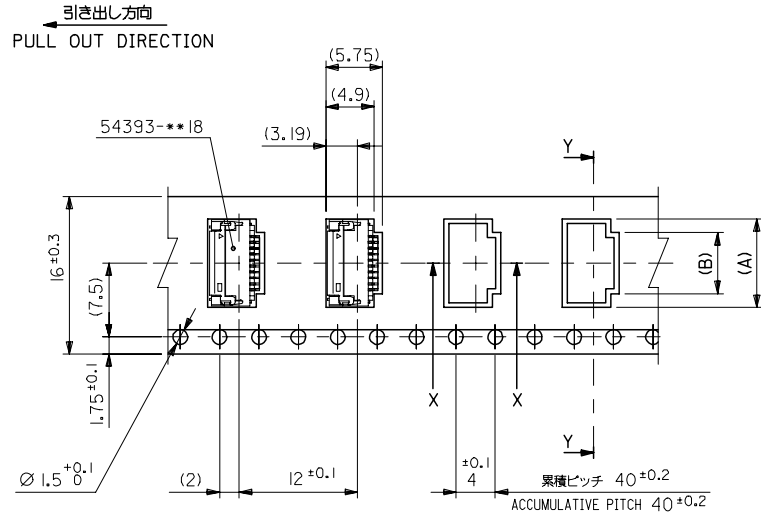
E

D

C

B

A



1.6mm幅キャリアテープ  
1.6mm WIDTH CARRIER TAPE

16	21.4	17.4	5.0	7.8	54393-1781	17
キャリアテープ幅 CARRIER TAPE WIDTH	D	C	B	A	MATERIAL NO.	巻数 CKT.

REVISED EC NO: J2006-3255 DRW:HYAJIMA 2006/05/22 CHK:D:TANAKA 2006/05/22 APPR:NUKITA 2006/05/26	GENERAL TOLERANCES (UNLESS SPECIFIED)		DIMENSION STYLE MM ONLY		SCALE ---	DESIGN UNITS METRIC	THIRD ANGLE PROJECTION
	10 UNDER	± ---	DRAWN BY H. SHIMABUKUR	DATE '04/01/29	TITLE 0.3 FPC CONN (EASY ON) HSG ASSY EMBSTP PKG -LEAD FREE-		
	10 OVER 30 UNDER	± ---	CHECKED BY K. TOJO	DATE '04/01/29	APPROVED BY M. SASAO		
	30 OVER	± ---	APPROVED BY M. SASAO	DATE '04/01/29	MATERIAL NO. SEE CHART		
	ANGULAR	± --- °	DRAFT WHERE APPLICABLE MUST REMAIN WITHIN DIMENSIONS		DOCUMENT NO. SD-54393-023	SHEET NO. 2 OF 4	

10 9 8 7 6 5 4 3 2 1

F

E

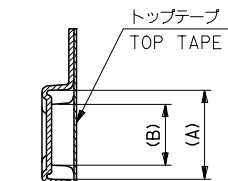
D

C

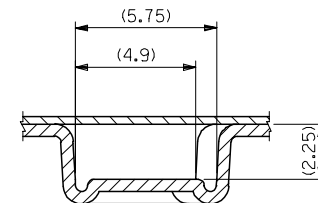
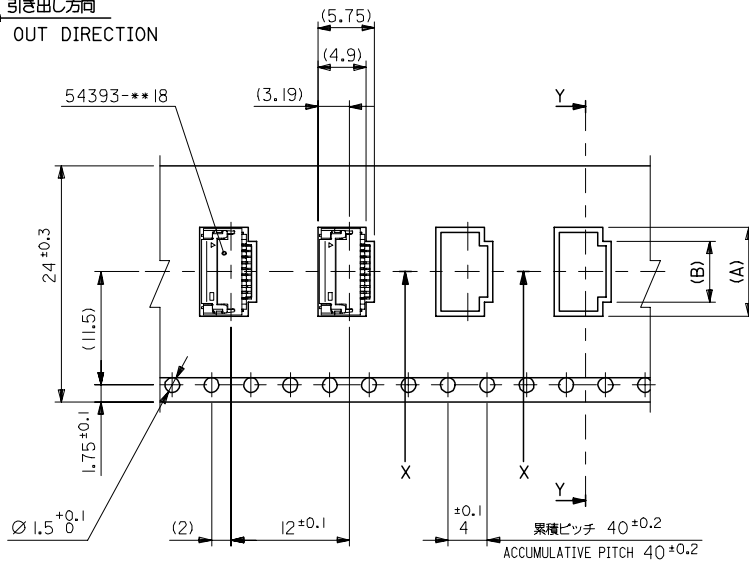
B

A

引き出し方向  
PULL OUT DIRECTION



SECT. Y-Y



SECT. X-X

24mm幅キャリアテープ  
24mm WIDTH CARRIER TAPE

24	29.4	25.4	13.4	16.2	54393-4581	45
			11.6	14.4	54393-3981	39
			9.8	12.6	54393-3381	33
			8.0	10.8	54393-2781	27
			6.8	9.6	54393-2381	23
			6.2	9.0	54393-2181	21
キャリアテープ幅 CARRIER TAPE WIDTH	D	C	B	A	MATERIAL NO.	巻数 CKT.

54393-\*\*\*81 MODEL NO.

REVISED EC NO: J2006-3255 DRW:HYAJIMA 2006/05/22 CHKD:MANAKA 2006/05/22 APPR:NUKITA 2006/05/26	GENERAL TOLERANCES (UNLESS SPECIFIED)	DIMENSION STYLE MM ONLY	SCALE ---	DESIGN UNITS METRIC	THIRD ANGLE PROJECTION
	10 UNDER ± ---	DRAWN BY H. SHIMABUKUR	DATE '04/01/29	TITLE 0.3 FPC CONN (EASY ON) HSG ASSY EMBSTP PKG -LEAD FREE-	
	10 OVER 30 UNDER ± ---	CHECKED BY K. TOJO	DATE '04/01/29	MOLEX INCORPORATED	
	30 OVER ± ---	APPROVED BY M. SASAO	DATE '04/01/29	DOCUMENT NO. SD-54393-023	SHEET NO. 3 OF 4
	ANGULAR ± --- °	MATERIAL NO. SEE CHART			
DRAFT WHERE APPLICABLE MUST REMAIN WITHIN DIMENSIONS	SIZE A3	THIS DRAWING CONTAINS INFORMATION THAT IS PROPRIETARY TO MOLEX INCORPORATED AND SHOULD NOT BE USED WITHOUT WRITTEN PERMISSION			

10 9 8 7 6 5 4 3 2 1

F

E

D

C

B

A

F

E

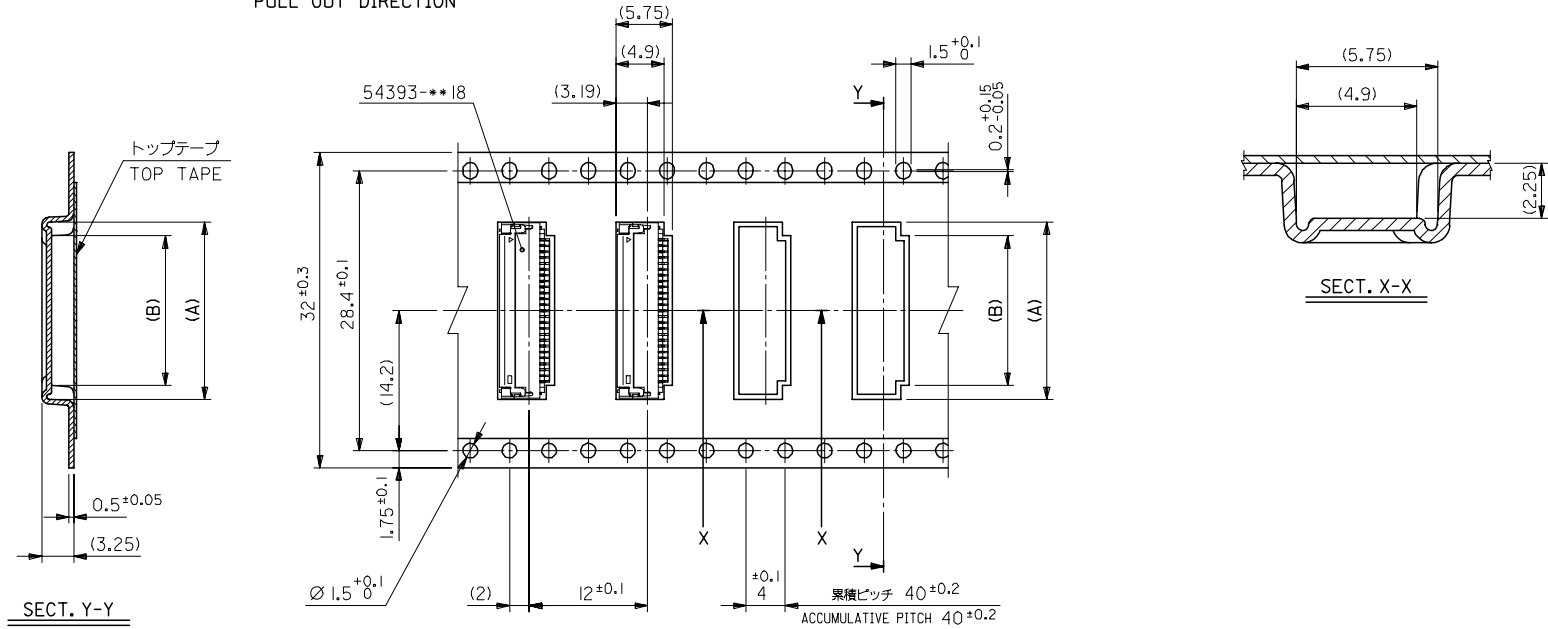
D

C

B

A

引き出し方向  
PULL OUT DIRECTION



SECT. Y-Y

SECT. X-X

32mm幅キャリアテープ  
32mm WIDTH CARRIER TAPE

32	37.4	33.4	15.2	18.0	54393-5181	51
キャリアテープ幅 CARRIER TAPE WIDTH	D	C	B	A	MATERIAL NO.	種数 CKT.

54393-\*\*\*81 MODEL NO.

REVISED EC NO: J2006-3255 DRW:HYAJIMA 2006/05/22 CHKD:MANAKA 2006/05/22 APPR:NUKITA 2006/05/26	GENERAL TOLERANCES (UNLESS SPECIFIED)		DIMENSION STYLE MM ONLY		SCALE ---	DESIGN UNITS METRIC	THIRD ANGLE PROJECTION
	10 UNDER	± ---	DRAWN BY H. SHIMABUKUR	DATE '04/01/29	TITLE 0.3 FPC CONN (EASY ON) HSG ASSY EMBSTP PKG -LEAD FREE-		
	10 OVER 30 UNDER	± ---	CHECKED BY K. TOJO	DATE '04/01/29	MOLEX INCORPORATED		
	30 OVER	± ---	APPROVED BY M. SASAO	DATE '04/01/29	DOCUMENT NO. SD-54393-023		
	ANGULAR	± --- °	MATERIAL NO. SEE CHART		SHEET NO. 4 OF 4		
	DRAFT WHERE APPLICABLE MUST REMAIN WITHIN DIMENSIONS		SIZE A3		THIS DRAWING CONTAINS INFORMATION THAT IS PROPRIETARY TO MOLEX INCORPORATED AND SHOULD NOT BE USED WITHOUT WRITTEN PERMISSION		

9

8

7

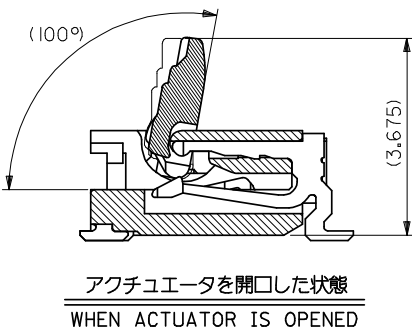
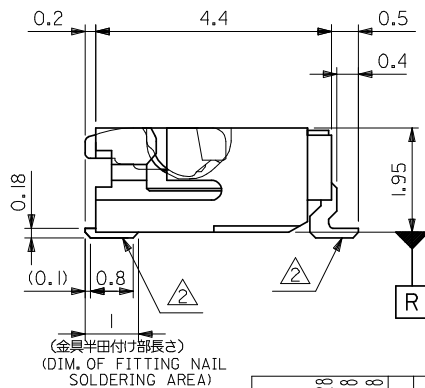
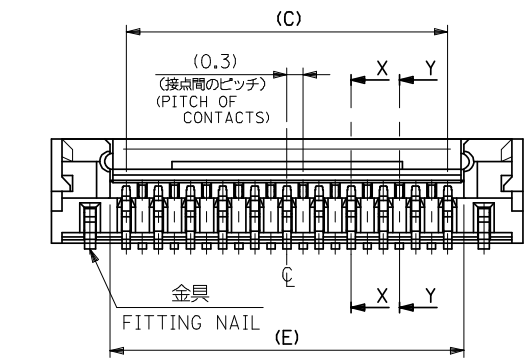
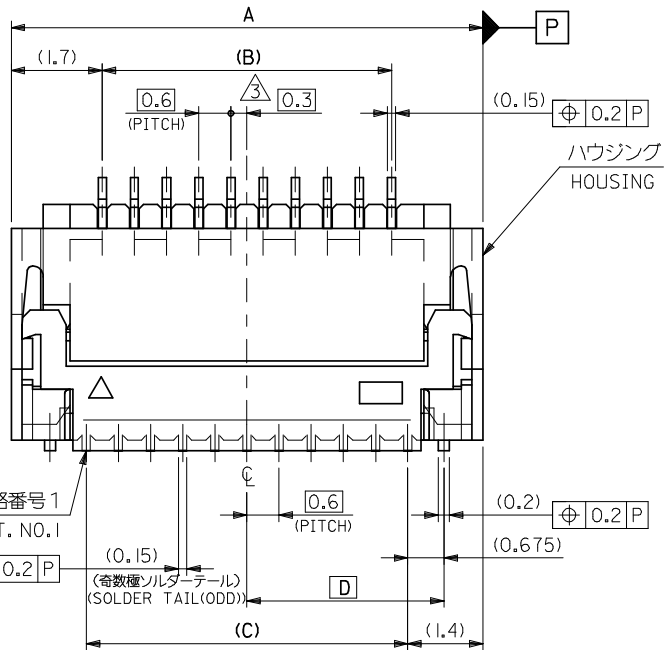
6

5

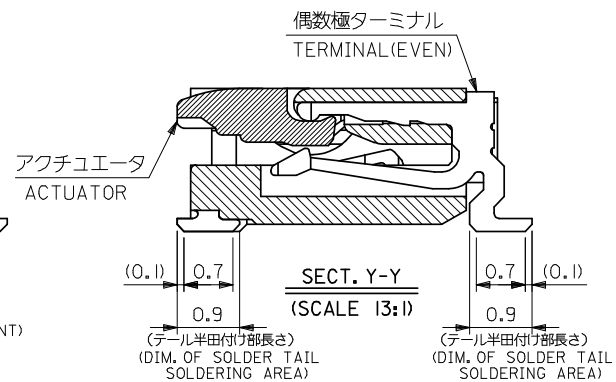
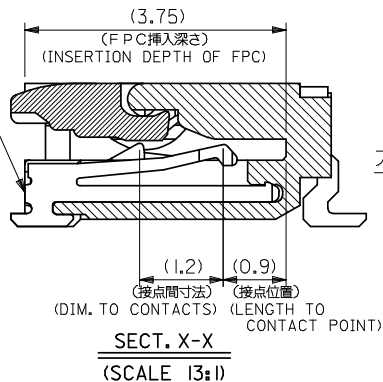
4

3

2



奇数極ターミナル  
TERMINAL (ODD)



注記 NOTES

1. 使用材料 MATERIAL  
 ハウジング : LCP , UL94V-0  
 HOUSING  
 アクチュエータ : PPS , UL94V-0  
 ACTUATOR  
 ターミナル : リン青銅 (t=0.15) , ニッケル下地金メッキ  
 TERMINAL : PHOS-BRO. , GOLD OVER NICKEL PLATING.  
 金具 : リン青銅 (t=0.2) , ニッケル下地メッキ  
 FITTING NAIL : PHOS-BRO. , TIN OVER NICKEL PLATING.  
 △ ソルダータール半田付け面のスレ量、及び金具半田付け面のスレ量は、基準面 R に対し、  
 上方向 OMA X、下方向 O.18 MAX. とする。  
 又、相互のバラツキ量は O.1 MAX. とする。  
 MISALIGNMENT OF SOLDER TAILS AND FITTING NAILS FROM R  
 UPPER DIRECTION : 0 MAX. , LOWER DIRECTION : 0.18 MAX.  
 OFFSET BETWEEN SOLDER TAILS AND FITTING NAILS : 0.1 MAX.  
 △ (N-1) / 2 が偶数の場合、偶数極側に適用。  
 (N-1) / 2 が奇数の場合、奇数極側に適用。  
 IF (N-1) / 2 = EVEN, APPLY FOR  
 EVEN CIRCUIT SIDE,  
 IF (N-1) / 2 = ODD, APPLY FOR  
 ODD CIRCUIT SIDE,
4. 一般公差 : ±0.3  
 GENERAL TOLERANCES : ±0.3
5. 本製品は 54393- \*\*77  
 の鉛フリー品です  
 THIS PRODUCT IS LEAD FREE  
 OF 54393- \*\*77

15.6	8.175	15	14.4	17.8	54393-5181	54393-5118	51
13.8	7.275	13.2	12.6	16	54393-4581	54393-4518	45
12	6.375	11.4	10.8	14.2	54393-3981	54393-3918	39
10.2	5.475	9.6	9	12.4	54393-3381	54393-3318	33
8.4	4.575	7.8	7.2	10.6	54393-2781	54393-2718	27
7.2	3.975	6.6	6.0	9.4	54393-2381	54393-2318	23
6.6	3.675	6	5.4	8.8	54393-2181	54393-2118	21
5.4	3.075	4.8	4.2	7.6	54393-1781	54393-1718	17
E	D	C	B	A	EMBOSSED TAPE ORDER No. オータ-番号		MATERIAL NO. CKT.

54393- \*\*18 MODEL NO.

REVISED EC NO: J2008-4034 DRWN: WABEI CHKD: THARYAMA APPR: NUKITA 2008/05/28 2008/05/28 2008/05/28	GENERAL TOLERANCES (UNLESS SPECIFIED)		DIMENSION STYLE MM ONLY		SCALE 10:1	DESIGN UNITS METRIC	THIRD ANGLE PROJECTION	
	10 UNDER	± ---	DRAWN BY DATE H. SHIMABUKUR '04/01/29		TITLE 0.3 FPC CONN (EASY ON) HSG ASSY -LEAD FREE-			
	10 OVER 30 UNDER	± ---	CHECKED BY DATE K. TOJO '04/01/29		MOLEX INCORPORATED			
	30 OVER	± ---	APPROVED BY DATE M. SASAO '04/01/29		DOCUMENT NO. SD-54393-024		SHEET NO. 1 OF 2	
	ANGULAR ± --- °		MATERIAL NO. SEE TABLE		THIS DRAWING CONTAINS INFORMATION THAT IS PROPRIETARY TO MOLEX INCORPORATED AND SHOULD NOT BE USED WITHOUT WRITTEN PERMISSION			



## Looking for pricing, stock, or lifecycle information?

Click below to explore more details on WIN SOURCE:

 [View 543933381 on WIN SOURCE](#)

 [Molex, LLC Information](#)

## Optimize Your Supply Chain with WIN SOURCE Solutions

-  Global Sourcing Solution
-  Obsolete Management
-  Cost Control Management
-  Shortage Management
-  Alternative Solution
-  Excess Inventory Management