



THE DATASHEET OF
88947-312LF

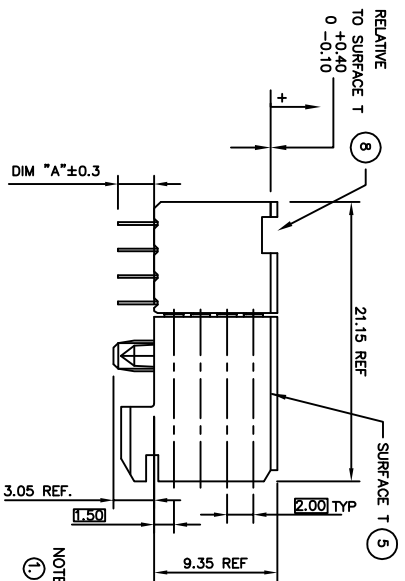


| | | | | | | | | | | | | | | | | | | | |
|---|---|---|----|----|----|----|----|----|----|----|---|---|---|---|---|---|---|---|---|
| 2 | 1 | 8 | 17 | 16 | 15 | 14 | 13 | 12 | 11 | 10 | 9 | 8 | 7 | 6 | 5 | 4 | 3 | 2 | 1 |
| X | - | X | - | X | - | X | - | X | - | X | - | X | - | X | - | X | - | X | - |
| X | - | X | - | X | - | X | - | X | - | X | - | X | - | X | - | X | - | X | - |
| X | - | X | - | X | - | X | - | X | - | X | - | X | - | X | - | X | - | X | - |
| X | - | X | - | X | - | X | - | X | - | X | - | X | - | X | - | X | - | X | - |
| X | - | X | - | X | - | X | - | X | - | X | - | X | - | X | - | X | - | X | - |
| X | - | X | - | X | - | X | - | X | - | X | - | X | - | X | - | X | - | X | - |
| X | - | X | - | X | - | X | - | X | - | X | - | X | - | X | - | X | - | X | - |
| X | - | X | - | X | - | X | - | X | - | X | - | X | - | X | - | X | - | X | - |
| X | - | X | - | X | - | X | - | X | - | X | - | X | - | X | - | X | - | X | - |

CONFIGURATION

| | |
|-----------------------|-------------------|
| PLATING CONTACT AREA: | |
| DASH NR: | PERFORMANCE LEVEL |
| -1YY/1YYLF | TELCORDIA CO |
| -2YY/2YYLF | CUSTOMER SPECIAL |
| -3YY/3YYLF | CUSTOMER SPECIAL |

| |
|-------|
| M "A" |
| 2.90 |
| 3.53 |
| 2.90 |
| 3.53 |
| 2.90 |
| 3.53 |



NOTES:

- CONNECTOR MATERIALS:
HOUSING: LCP 30% GLASS FILLED,
U 94-110 COMPLIANT
TERMINAL: PHOSPHOR BRONZE ALLOY
- PRESS-FIT TAIL PLATING: 0.5-1.5 μm TIN LEAD
- PRODUCT SPECIFICATION:
GS-12-002
- APPLICATION SPECIFICATIONS:
BUS-20-061
GS-20-001
TA-941
- PRODUCT MARKING: (PART NUMBER & LOT CODE).
- INDICATED HOLES ARE UNPLATED.
- DIAMOND LOCATION PEG ARE ONLY EXISTED ON THE BOTH SIDES OF PRODUCT.
- TOP SURFACE OF PRESS BLOCK MAY EXTEND UP TO 0.4MM HIGHER THAN HOUSING. THIS MAY AFFECT THE TAIL LENGTH BEFORE APPLICATION TO A BOARD.
- THESE PRODUCTS WHERE THE PART NUMBER ENDS IN "LF" MEET THE EUROPEAN UNION DIRECTIVES AND OTHER COUNTRY REGULATIONS AS DESCRIBED IN GS-22-008.
- ALL PRODUCTS WILL WITHSTAND EXPOSURE TO 240°C FOR 60 SECONDS IN A CONNECTION, INFAR-RED OR VAPOR PHASE REFLOW OVEN.
- FOR LEAD FREE PART NUMBERS ADD "LF" SUFFIX. EXAMPLE: 88947-XYTLF.
- ONLY 88947-XO3LF AND 88947-X13LF, OTHER P/N IS FULL LOADED

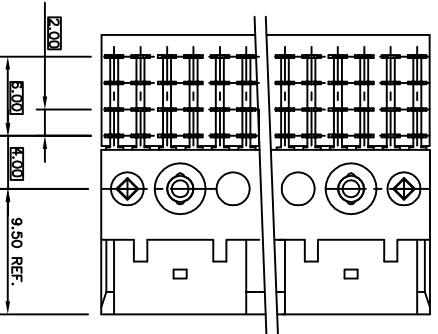
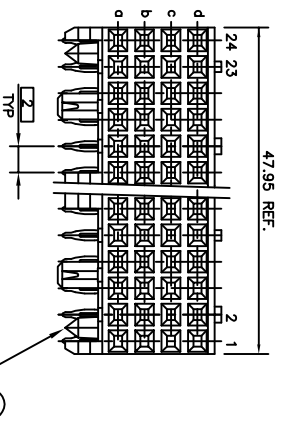




TABLE 1

| | |
|-------------------------------|------------------------|
| PLATED THRU HOLE REQUIREMENTS | |
| HOLE DIAMETER AFTER PLATING | 0.65-0.80 |
| DRILLED HOLE | 0.81-0.86 (0.85 DRILL) |
| COPPER PLATING | 0.025 - 0.05 |
| SMP PLATING | 0.005-0.015 |


| | | | | | | |
|-------------|-----------|---------------------------------------|----------------|-----|----------------------------------|--------|
| mot'l. code | SEE NOTES | tolerances unless otherwise specified | CUSTOMER COPY | FCJ | title | code |
| ecn no | dr | ddte | projection | | B SERIES R/A SIGNAL RECEIPT ASSY | |
| D307-0170 | Cenh | D5/22/07 | .XX ±.10 | | 4 ROW, 4 MOD, PF | |
| D068-0171 | TER | B/15/08 | .XXX ±.050 | | | |
| D309-0088 | Cenh | D6/06/09 | 0° ±2° | | | |
| D3-010933 | qndP | D3/08/12 | STU STONER | | product family METRAL (tm) | code |
| | | | De-Feng Qin | | size | 213 |
| | | | Tian-Zhao Lin | | dwg no | 88947 |
| | | | Per-Ming Zheng | | product family METRAL (tm) | code |
| | | | | | 4 ROW, 4 MOD, PF | |
| | | | | | | 213 |
| | | | | | | 1 of 1 |
| sheet | revision | | | | | |
| index | sheet | | | | | |

Looking for pricing, stock, or lifecycle information?

Click below to explore more details on WIN SOURCE:

-  [View 88947-312LF on WIN SOURCE](#)
-  [Amphenol FCI Information](#)

Optimize Your Supply Chain with WIN SOURCE Solutions

-  Global Sourcing Solution
-  Obsolete Management
-  Cost Control Management
-  Shortage Management
-  Alternative Solution
-  Excess Inventory Management