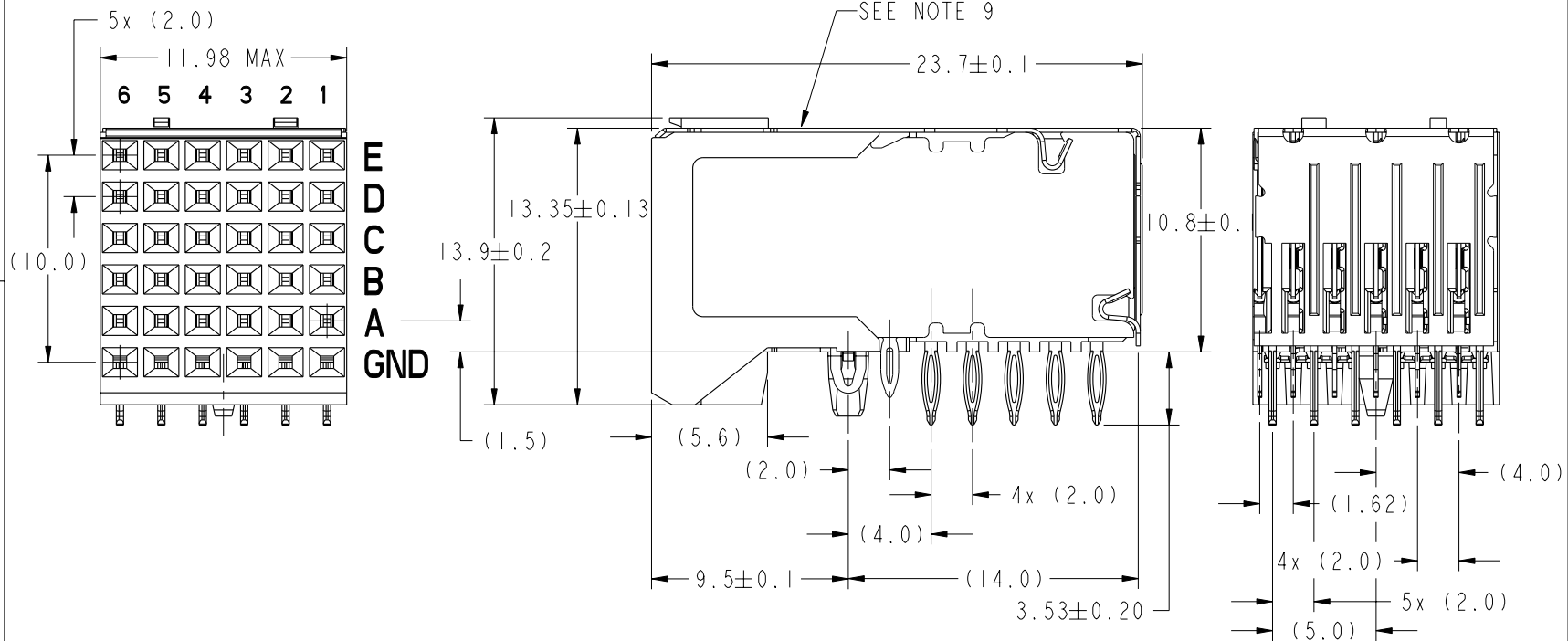




**THE DATASHEET OF**  
**73981-102LF**



PRODUCT NUMBER	PLATING PERFORMANCE LEVEL	PRESS-FIT TAIL PLATING
73981-102	TELCORDIA CO	SnPb
73981-102LF		Sn (SEE NOTE 14)
73981-302	CUSTOMER SPECIAL	SnPb
73981-302LF		Sn (SEE NOTE 14)
73981-902	TELCORDIA CO	SnPb
73981-902LF		Sn (SEE NOTE 14)
73981-902S	CUSTOMER SPECIAL	SnPb
73981-902SLF		Sn (SEE NOTE 14)



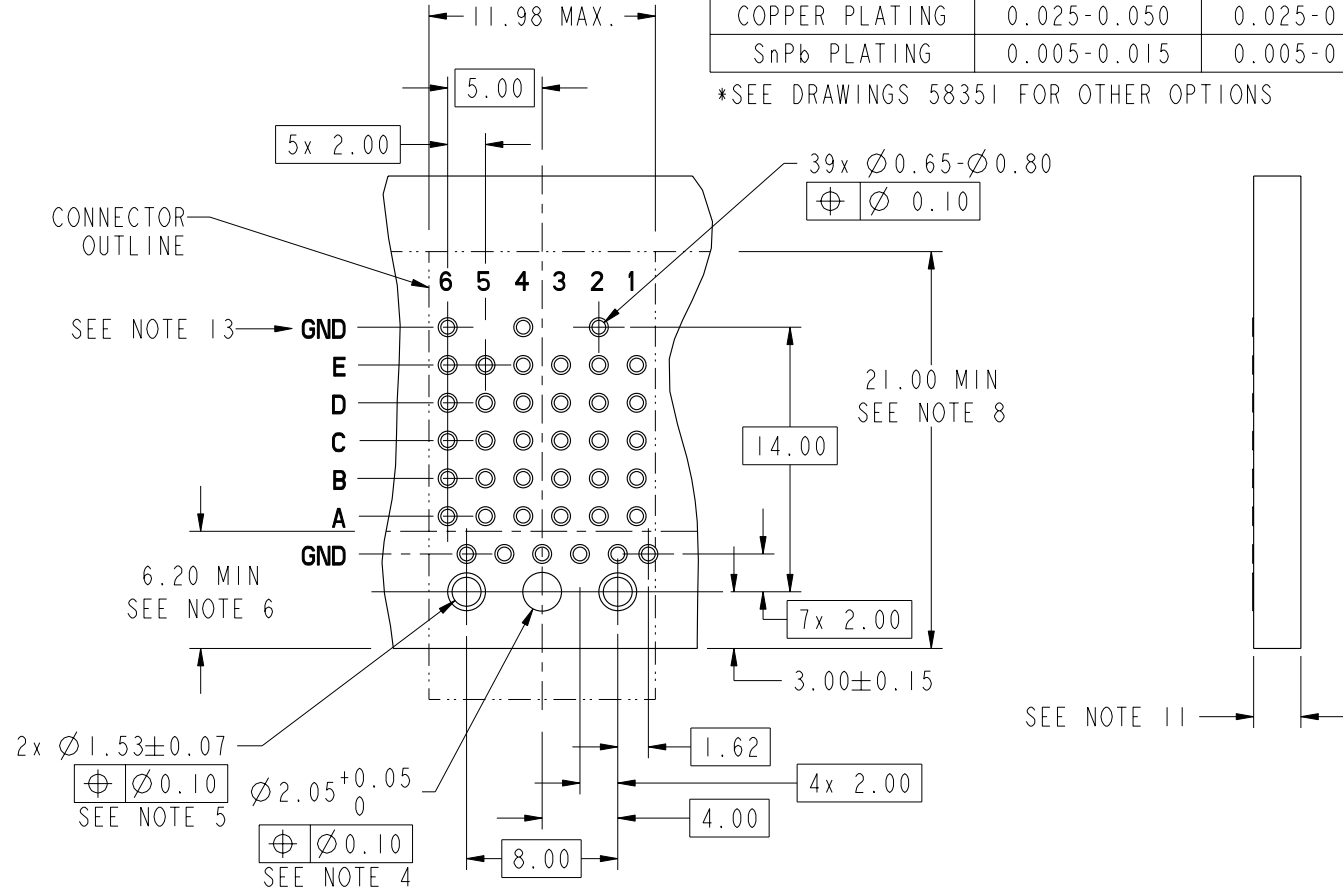
mat'l code SEE NOTE 2				tolerances unless otherwise specified		CUSTOMER	FCj www.fciconnect.com	
ltr	ecm no.	dr	date	linear	0.X ±0.3	COPY	projection	title RIGHT ANGLE SIGNAL RECEPT. 5 ROW, 30 POSITION
AC	V06-0544	DCH	2006-06-09		0.XX ±0.10	MM		
AD	V07-0352	HTB	2007-06-05	angles	0.XXX ±0.050	scale	product family METRAL 1000	code 213
AE	V07-0430	DCH	2007-06-27		0° ±2°			
AF	V07-0706	HTB	2007-12-10	dr	S. STONER	2000-06-30	size	sheet 1 of 4
-	-	-	-	engr	W. J. SWAIN	2000-06-14	73981	
AA	V05-0391	DAI	2005-04-25	chr	W. J. SWAIN	2001-05-21	A	
AB	V05-0405	DAI	2005-05-16	appd	W. J. SWAIN	2001-05-21		
sheet index	revision sheet	AF 1	AF 2	AF 3	AF 4			

This document is the property of and embodies CONFIDENTIAL and PROPRIETARY information of FCj. No part of the information shown on this document may be used in any way or disclosed to others without the written consent of FCj. Copyright FCj.

PRODUCT NO.  
SEE SHEET 1

PRESS-FIT HOLES		
HOLE DIAMETER AFTER PLATING	$\varnothing 0.65 - \varnothing 0.80$ *	$\varnothing 1.53$
DRILLED HOLE	$\varnothing 0.81 - \varnothing 0.86$ ( $\varnothing 0.85$ DRILL)	$\varnothing 1.61 - \varnothing 1.66$ ( $\varnothing 1.65$ DRILL)
COPPER PLATING	0.025-0.050	0.025-0.050
SnPb PLATING	0.005-0.015	0.005-0.015

\*SEE DRAWINGS 58351 FOR OTHER OPTIONS



RECOMMENDED PCB HOLE  
PATTERN-COMPONENT SIDE

mat'l code SEE NOTE 2				tolerances unless otherwise specified		CUSTOMER	FCJ www.fciconnect.com	
ltr	ecn no.	dr	date	linear	0.X ± 0.3	COPY	title	
AF				0.XX ± 0.10	projection		RIGHT ANGLE SIGNAL RECEPT. 5 ROW, 30 POSITION	
				0.XXX ± 0.050	angles			product family METRAL 1000 code
				0° ± 2°	dr	S. STONER	2000-06-30	size
					engr	W. J. SWAIN	2000-06-14	dwg no
					chr	W. J. SWAIN	2001-05-21	73981
					appd	W. J. SWAIN	2001-05-21	sheet
sheet	revision							2
index	sheet							2

This document is the property of and embodies  
 CONFIDENTIAL and PROPRIETARY information of FCJ.  
 No part of the information shown on this  
 document may be used in any way or disclosed  
 to others without the written consent of FCJ.  
 Copyright FCJ.

PRODUCT NUMBER  
SEE SHEET 1

NOTES

- 1. UNLESS OTHERWISE SPECIFIED ALL DIMENSIONS AND TOLERANCES ARE IN ACCORDANCE WITH ASME Y14.5M, 1994
- 2. HOUSING MATERIAL: LIQUID CRYSTAL POLYMER, GLASS FILLED, FLAME RETARDANT PER UL94V-0  
GROUND SHIELD MATERIAL: COPPER ALLOY  
SIGNAL CONTACT MATERIAL: COPPER ALLOY
- 3. PLATING ON PRESS-FIT TAIL AREA: 73981-X02 IS SnPb, 73981-X02LF IS Sn (LEAD FREE)
- 4. Ø2.05 HOLE IS UNPLATED
- 5. Ø1.53 PLATED HOLES (2X) ARE FOR GROUNDS
- 6. AVOID TRACES IN THIS AREA ON TOP OF PCB DUE TO EXPOSED GROUND SHIELD
- 7. UNDERPLATING FOR SHIELD AND SIGNAL CONTACTS IS 1.3 µm Ni MIN
- 8. COMPONENT KEEP OUT ZONE FOR PRESS BLOCK CLEARANCE.
- 9. PRODUCT MARKING: PRODUCT NUMBER, DATE AND LOT CODE.
- 10. SEE GS-20-017 FOR APPLICATION OF CONNECTOR TO PCB.
- 11. PCB THICKNESS RANGE: 1.3mm TO 2.5mm
- 12. SEE PRODUCT SPECIFICATION GS-12-110 FOR PRODUCT PERFORMANCE CHARACTERISTICS.
- 13. THIS GROUND ROW OF VIA-HOLES ONLY REQUIRED FOR PREVIOUS REVISIONS OF THIS DESIGN WHERE THE TOP SHIELDS HAD EON PRESS-FIT. DUE TO INVENTORIES OF PREVIOUS VERSION WE RECOMMEND THEY BE DESIGNED IN.
- 14. THE PRODUCTS WHERE THE PART NUMBER ENDS IN LF MEET EUROPEAN DIRECTIVES AND OTHER COUNTRY REGULATIONS AS DESCRIBED IN GS-22-008. ALL PRODUCTS WILL WITHSTAND EXPOSURE TO 260° FOR 60 SECONDS IN A CONVECTION, INFRA-RED OR VAPOR PHASE REFLOW OVEN.

A

A



This document is the property of and embodies CONFIDENTIAL and PROPRIETARY information of FCI. No part of the information shown on this document may be used in any way or disclosed to others without the written consent of FCI. Copyright FCI.

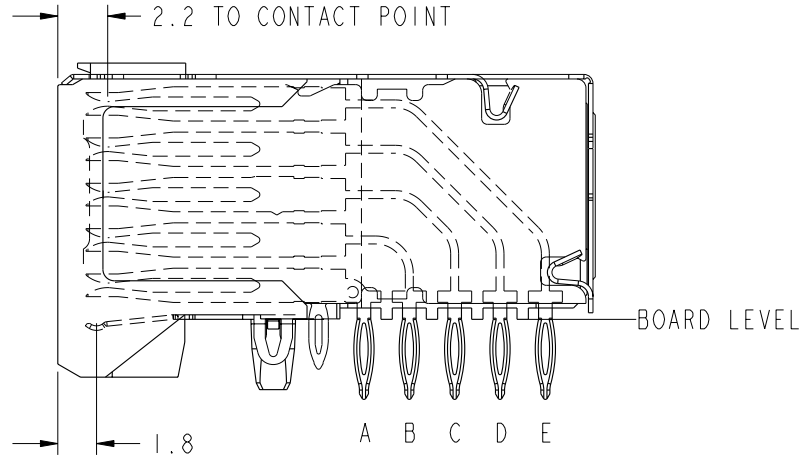
B

B

mat'l code SEE NOTE 2				tolerances unless otherwise specified		CUSTOMER	www.fciconnect.com				
ltr	ecr no.	dr	date	linear	0.X ±0.3	COPY		title RIGHT ANGLE SIGNAL RECEPT. 5 ROW, 30 POSITION			
AF					0.XX ±0.10	projection					
					0.XXX ±0.050						
				angles	0° ±2°		product family	METRAL 1000	code	213	
				dr	S. STONER 2000-06-30	scale 3:1	size	dwg no	73981	sheet	3
				engr	W. J. SWAIN 2000-06-14		A				
				chr	W. J. SWAIN 2001-05-21						
				appd	W. J. SWAIN 2001-05-21						
sheet index	revision sheet										

PRODUCT NUMBER  
SEE SHEET 1

DISTANCE FROM CONTACT POINT TO BOARD	
CONTACT	DISTANCE
A	12.5
B	16.2
C	19.5
D	22.3
E	25.2



CONTACT POINT AND SKEW



This document is the property of and embodies  
 CONFIDENTIAL and PROPRIETARY information of FCI.  
 No part of the information shown on this  
 document may be used in any way or disclosed  
 to others without the written consent of FCI.  
 Copyright FCI.

mat'l code SEE NOTE 2		tolerances unless otherwise specified		CUSTOMER		FCI www.fciconnect.com	
ltr	ecm no.	dr	date	linear	0.X ± 0.3	COPY	
AF				linear	0.XX ± 0.10	projection	title RIGHT ANGLE SIGNAL RECEPT. 5 ROW, 30 POSITION
				angles	0.XXX ± 0.050		
				angles	0° ± 2°		
		dr	S. STONER	2000-06-30	MM		product family
		engr	W. J. SWAIN	2000-06-14	← MM →		METRAL 1000
		chr	W. J. SWAIN	2001-05-21	scale	3:1	code
		appd	W. J. SWAIN	2001-05-21			213
sheet	revision						size
index	sheet						dwg no
							A
							73981
							sheet
							4

## Looking for pricing, stock, or lifecycle information?

Click below to explore more details on WIN SOURCE:

 [View 73981-102LF on WIN SOURCE](#)

 [Amphenol FCI Information](#)

## Optimize Your Supply Chain with WIN SOURCE Solutions

-  Global Sourcing Solution
-  Obsolete Management
-  Cost Control Management
-  Shortage Management
-  Alternative Solution
-  Excess Inventory Management