



**THE DATASHEET OF  
74AC11244PWR**

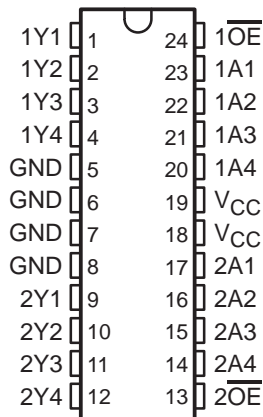


# 74AC11244 OCTAL BUFFER/DRIVER WITH 3-STATE OUTPUTS

SCAS171B – MARCH 1987 – REVISED SEPTEMBER 1998

- **EPIC™ (Enhanced-Performance Implanted CMOS ) 1- $\mu$ m Process**
- **3-State Outputs Drive Bus Lines or Buffer Memory Address Registers**
- **Flow-Through Architecture Optimizes PCB Layout**
- **Center-Pin  $V_{CC}$  and GND Pin Configurations Minimize High-Speed Switching Noise**
- **500-mA Typical Latch-Up Immunity at 125°C**
- **Package Options Include Plastic Small-Outline (DW), Shrink Small-Outline (DB), and Thin Shrink Small-Outline (PW) Packages, and Standard Plastic DIPs (NT)**

DB, DW, NT, OR PW PACKAGE  
(TOP VIEW)



## description

The 74AC11244 is an octal buffer or line driver designed specifically to improve both the performance and density of 3-state memory address drivers, clock drivers, and bus-oriented receivers and transmitters. The device can be used as two 4-bit buffers or one 8-bit buffer, with active-low output-enable ( $\overline{OE}$ ) inputs.

When  $\overline{OE}$  is low, the device passes noninverted data from the A inputs to the Y outputs. When  $\overline{OE}$  is high, the outputs are in the high-impedance state.

To ensure the high-impedance state during power up or power down,  $\overline{OE}$  should be tied to  $V_{CC}$  through a pullup resistor; the minimum value of the resistor is determined by the current-sinking capability of the driver.

The 74AC11244 is characterized for operation from  $-40^{\circ}\text{C}$  to  $85^{\circ}\text{C}$ .

FUNCTION TABLE  
(each driver)

| INPUTS          |   | OUTPUT |
|-----------------|---|--------|
| $\overline{OE}$ | A | Y      |
| L               | H | H      |
| L               | L | L      |
| H               | X | Z      |



Please be aware that an important notice concerning availability, standard warranty, and use in critical applications of Texas Instruments semiconductor products and disclaimers thereto appears at the end of this data sheet.

EPIC is a trademark of Texas Instruments Incorporated.

PRODUCTION DATA information is current as of publication date. Products conform to specifications per the terms of Texas Instruments standard warranty. Production processing does not necessarily include testing of all parameters.

 **TEXAS  
INSTRUMENTS**

POST OFFICE BOX 655303 • DALLAS, TEXAS 75265

Copyright © 1998, Texas Instruments Incorporated

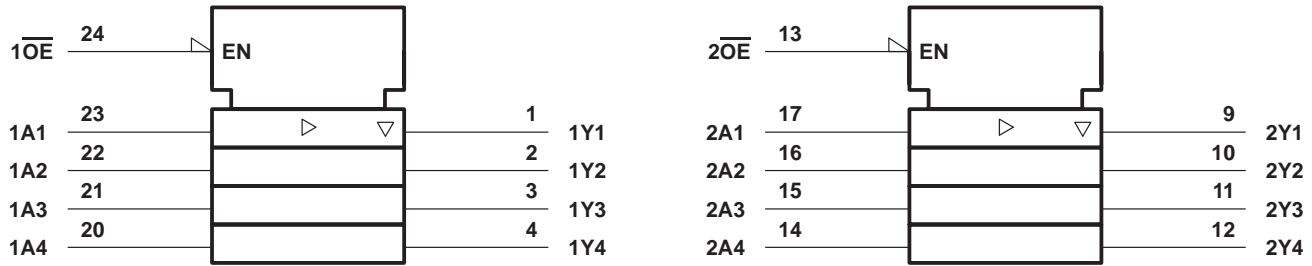
# 74AC11244

## OCTAL BUFFER/DRIVER

### WITH 3-STATE OUTPUTS

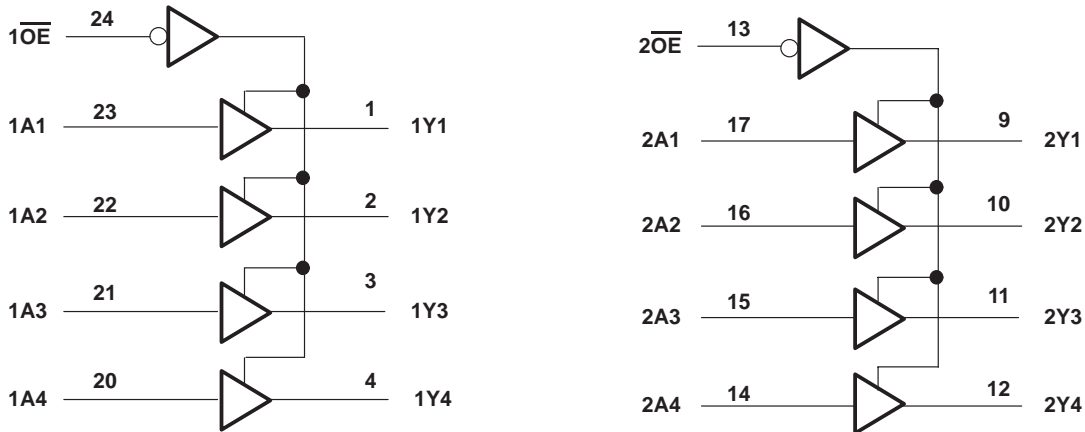
SCAS171B – MARCH 1987 – REVISED SEPTEMBER 1998

#### logic symbol†



† This symbol is in accordance with ANSI/IEEE Std 91-1984 and IEC Publication 617-12.

#### logic diagram (positive logic)



#### absolute maximum ratings over operating free-air temperature range (unless otherwise noted)‡

|  |                            |
|--|----------------------------|
| Supply voltage range, $V_{CC}$ .....                                 | -0.5 V to 7 V              |
| Input voltage range, $V_I$ (see Note 1) .....                        | -0.5 V to $V_{CC} + 0.5$ V |
| Output voltage range, $V_O$ (see Note 1) .....                       | -0.5 V to $V_{CC} + 0.5$ V |
| Input clamp current, $I_{IK}$ ( $V_I < 0$ or $V_I > V_{CC}$ ) .....  | $\pm 20$ mA                |
| Output clamp current, $I_{OK}$ ( $V_O < 0$ or $V_O > V_{CC}$ ) ..... | $\pm 50$ mA                |
| Continuous output current, $I_O$ ( $V_O = 0$ to $V_{CC}$ ) .....     | $\pm 50$ mA                |
| Continuous current through $V_{CC}$ or GND .....                     | $\pm 200$ mA               |
| Package thermal impedance, $\theta_{JA}$ (see Note 2):               |                            |
| DB package .....   | 104°C/W                    |
| DW package .....   | 81°C/W                     |
| PW package .....   | 120°C/W                    |
| NT package .....   | 67°C/W                     |
| Storage temperature range, $T_{stg}$ .....                           | -65°C to 150°C             |

‡ Stresses beyond those listed under “absolute maximum ratings” may cause permanent damage to the device. These are stress ratings only, and functional operation of the device at these or any other conditions beyond those indicated under “recommended operating conditions” is not implied. Exposure to absolute-maximum-rated conditions for extended periods may affect device reliability.

- NOTES: 1. The input and output voltage ratings may be exceeded if the input and output current ratings are observed.  
 2. The package thermal impedance is calculated in accordance with JESD 51, except for through-hole packages, which use a trace length of zero.

**74AC11244**  
**OCTAL BUFFER/DRIVER**  
**WITH 3-STATE OUTPUTS**

SCAS171B – MARCH 1987 – REVISED SEPTEMBER 1998

**recommended operating conditions (see Note 3)**

|                 |                                    | MIN                     | NOM  | MAX             | UNIT |
|-----------------|------------------------------------|-------------------------|------|-----------------|------|
| V <sub>CC</sub> | Supply voltage                     | 3                       | 5    | 5.5             | V    |
| V <sub>IH</sub> | High-level input voltage           | V <sub>CC</sub> = 3 V   | 2.1  |                 | V    |
|                 |                                    | V <sub>CC</sub> = 4.5 V | 3.15 |                 |      |
|                 |                                    | V <sub>CC</sub> = 5.5 V | 3.85 |                 |      |
| V <sub>IL</sub> | Low-level input voltage            | V <sub>CC</sub> = 3 V   |      | 0.9             | V    |
|                 |                                    | V <sub>CC</sub> = 4.5 V |      | 1.35            |      |
|                 |                                    | V <sub>CC</sub> = 5.5 V |      | 1.65            |      |
| V <sub>I</sub>  | Input voltage                      | 0                       |      | V <sub>CC</sub> | V    |
| V <sub>O</sub>  | Output voltage                     | 0                       |      | V <sub>CC</sub> | V    |
| I <sub>OH</sub> | High-level output current          | V <sub>CC</sub> = 3 V   |      | -4              | mA   |
|                 |                                    | V <sub>CC</sub> = 4.5 V |      | -24             |      |
|                 |                                    | V <sub>CC</sub> = 5.5 V |      | -24             |      |
| I <sub>OL</sub> | Low-level output current           | V <sub>CC</sub> = 3 V   |      | 12              | mA   |
|                 |                                    | V <sub>CC</sub> = 4.5 V |      | 24              |      |
|                 |                                    | V <sub>CC</sub> = 5.5 V |      | 24              |      |
| Δt/Δv           | Input transition rise or fall rate | 0                       |      | 10              | ns/V |
| T <sub>A</sub>  | Operating free-air temperature     | -40                     |      | 85              | °C   |

NOTE 3: All unused inputs of the device must be held at V<sub>CC</sub> or GND to ensure proper device operation. Refer to the TI application report, *Implications of Slow or Floating CMOS Inputs*, literature number SCBA004.

**electrical characteristics over recommended operating free-air temperature range (unless otherwise noted)**

| PARAMETER                             | TEST CONDITIONS   | V <sub>CC</sub> | T <sub>A</sub> = 25°C |      |      | MIN | MAX | UNIT |
|---------------------------------------|---|-----------------|-----------------------|------|------|-----|-----|------|
|                                       |   |                 | MIN                   | TYP  | MAX  |     |     |      |
| V <sub>OH</sub>                       | I <sub>OH</sub> = -50 μA                                    | 3 V             | 2.9                   |      | 2.9  |     | V   |      |
|                                       |   | 4.5 V           | 4.4                   |      | 4.4  |     |     |      |
|                                       |   | 5.5 V           | 5.4                   |      | 5.4  |     |     |      |
|                                       | I <sub>OH</sub> = -4 mA                                     | 3 V             | 2.58                  |      | 2.48 |     |     |      |
|                                       |   | 4.5 V           | 3.94                  |      | 3.8  |     |     |      |
|                                       |   | 5.5 V           | 4.94                  |      | 4.8  |     |     |      |
| I <sub>OH</sub> = -75 mA <sup>†</sup> | 5.5 V   |                 |                       | 3.85 |      |     |     |      |
| V <sub>OL</sub>                       | I <sub>OL</sub> = 50 μA                                     | 3 V             |                       | 0.1  | 0.1  |     | V   |      |
|                                       |   | 4.5 V           |                       | 0.1  | 0.1  |     |     |      |
|                                       |   | 5.5 V           |                       | 0.1  | 0.1  |     |     |      |
|                                       | I <sub>OL</sub> = 12 mA                                     | 3 V             |                       | 0.36 | 0.44 |     |     |      |
|                                       |   | 4.5 V           |                       | 0.36 | 0.44 |     |     |      |
|                                       |   | 5.5 V           |                       | 0.36 | 0.44 |     |     |      |
| I <sub>OL</sub> = 75 mA <sup>†</sup>  | 5.5 V   |                 |                       | 1.65 |      |     |     |      |
| I <sub>I</sub>                        | V <sub>I</sub> = V <sub>CC</sub> or GND                     | 5.5 V           |                       | ±0.1 | ±1   | μA  |     |      |
| I <sub>OZ</sub>                       | V <sub>O</sub> = V <sub>CC</sub> or GND                     | 5.5 V           |                       | ±0.5 | ±5   | μA  |     |      |
| I <sub>CC</sub>                       | V <sub>I</sub> = V <sub>CC</sub> or GND, I <sub>O</sub> = 0 | 5.5 V           |                       | 8    | 80   | μA  |     |      |
| C <sub>i</sub>                        | V <sub>I</sub> = V <sub>CC</sub> or GND                     | 5 V             |                       | 4    |      | pF  |     |      |
| C <sub>o</sub>                        | V <sub>O</sub> = V <sub>CC</sub> or GND                     | 5 V             |                       | 10   |      | pF  |     |      |

<sup>†</sup> Not more than one output should be tested at a time, and the duration of the test should not exceed 10 ms.



**74AC11244**  
**OCTAL BUFFER/DRIVER**  
**WITH 3-STATE OUTPUTS**

SCAS171B – MARCH 1987 – REVISED SEPTEMBER 1998

**switching characteristics over recommended operating free-air temperature range,  
 $V_{CC} = 3.3\text{ V} \pm 0.3\text{ V}$  (unless otherwise noted) (see Figure 1)**

| PARAMETER | FROM (INPUT)    | TO (OUTPUT) | $T_A = 25^\circ\text{C}$ |     |      | MIN | MAX  | UNIT |
|-----------|-----------------|-------------|--------------------------|-----|------|-----|------|------|
|           |                 |             | MIN                      | TYP | MAX  |     |      |      |
| $t_{PLH}$ | A               | Y           | 1.5                      | 7.1 | 9.3  | 1.5 | 10.2 | ns   |
| $t_{PHL}$ |                 |             | 1.5                      | 6.3 | 8.6  | 1.5 | 9.5  |      |
| $t_{PZH}$ | $\overline{OE}$ | Y           | 1.5                      | 8   | 10.7 | 1.5 | 11.8 | ns   |
| $t_{PZL}$ |                 |             | 1.5                      | 7.9 | 10.6 | 1.5 | 11.9 |      |
| $t_{PHZ}$ | $\overline{OE}$ | Y           | 1.5                      | 5.9 | 7.9  | 1.5 | 8.3  | ns   |
| $t_{PLZ}$ |                 |             | 1.5                      | 7.2 | 9.4  | 1.5 | 9.9  |      |

**switching characteristics over recommended operating free-air temperature range,  
 $V_{CC} = 5\text{ V} \pm 0.5\text{ V}$  (unless otherwise noted) (see Figure 1)**

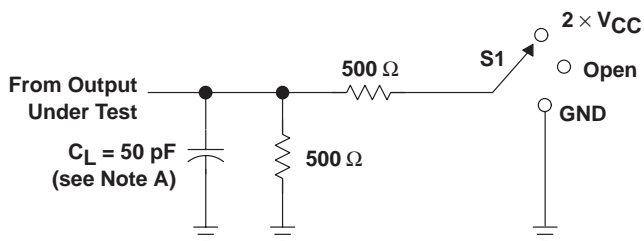
| PARAMETER | FROM (INPUT)    | TO (OUTPUT) | $T_A = 25^\circ\text{C}$ |     |     | MIN | MAX | UNIT |
|-----------|-----------------|-------------|--------------------------|-----|-----|-----|-----|------|
|           |                 |             | MIN                      | TYP | MAX |     |     |      |
| $t_{PLH}$ | A               | Y           | 1.5                      | 4.9 | 6.7 | 1.5 | 7.3 | ns   |
| $t_{PHL}$ |                 |             | 1.5                      | 4.5 | 6.4 | 1.5 | 6.9 |      |
| $t_{PZH}$ | $\overline{OE}$ | Y           | 1.5                      | 5.4 | 7.7 | 1.5 | 8.5 | ns   |
| $t_{PZL}$ |                 |             | 1.5                      | 5.4 | 7.6 | 1.5 | 8.5 |      |
| $t_{PHZ}$ | $\overline{OE}$ | Y           | 1.5                      | 5.2 | 7   | 1.5 | 7.3 | ns   |
| $t_{PLZ}$ |                 |             | 1.5                      | 5.8 | 7.8 | 1.5 | 8.2 |      |

**operating characteristics,  $V_{CC} = 5\text{ V}$ ,  $T_A = 25^\circ\text{C}$**

| PARAMETER |   | TEST CONDITIONS  | TYP | UNIT |
|-----------|---|------------------|-----|------|
| $C_{pd}$  | Power dissipation capacitance per buffer/driver | Outputs enabled  | 27  | pF   |
|           |   | Outputs disabled | 9   |      |

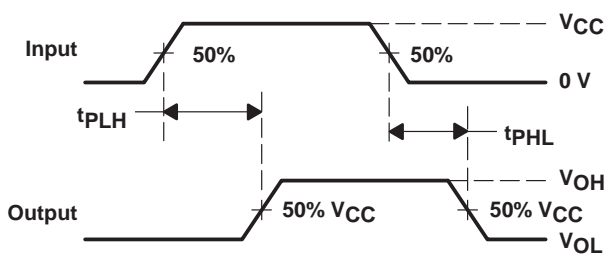


PARAMETER MEASUREMENT INFORMATION

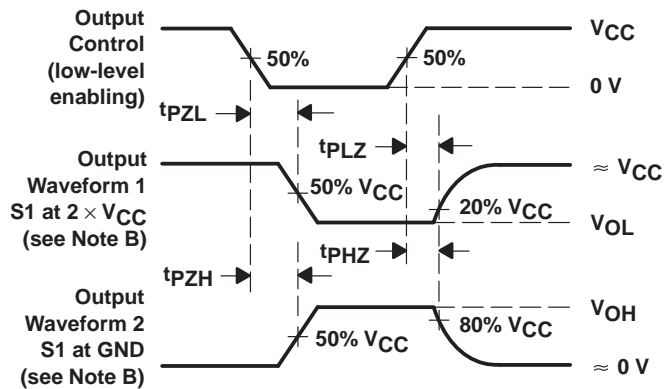


| TEST              | S1                |
|-------------------|-------------------|
| $t_{PLH}/t_{PHL}$ | Open              |
| $t_{PLZ}/t_{PZL}$ | $2 \times V_{CC}$ |
| $t_{PHZ}/t_{PZH}$ | GND               |

LOAD CIRCUIT



VOLTAGE WAVEFORMS



VOLTAGE WAVEFORMS

- NOTES: A.  $C_L$  includes probe and jig capacitance.  
 B. Waveform 1 is for an output with internal conditions such that the output is low except when disabled by the output control. Waveform 2 is for an output with internal conditions such that the output is high except when disabled by the output control.  
 C. All input pulses are supplied by generators having the following characteristics:  $PRR \leq 1 \text{ MHz}$ ,  $Z_O = 50 \Omega$ ,  $t_r = 3 \text{ ns}$ ,  $t_f = 3 \text{ ns}$ .  
 D. The outputs are measured one at a time with one input transition per measurement.

Figure 1. Load Circuit and Voltage Waveforms

## IMPORTANT NOTICE

Texas Instruments and its subsidiaries (TI) reserve the right to make changes to their products or to discontinue any product or service without notice, and advise customers to obtain the latest version of relevant information to verify, before placing orders, that information being relied on is current and complete. All products are sold subject to the terms and conditions of sale supplied at the time of order acknowledgement, including those pertaining to warranty, patent infringement, and limitation of liability.

TI warrants performance of its semiconductor products to the specifications applicable at the time of sale in accordance with TI's standard warranty. Testing and other quality control techniques are utilized to the extent TI deems necessary to support this warranty. Specific testing of all parameters of each device is not necessarily performed, except those mandated by government requirements.

CERTAIN APPLICATIONS USING SEMICONDUCTOR PRODUCTS MAY INVOLVE POTENTIAL RISKS OF DEATH, PERSONAL INJURY, OR SEVERE PROPERTY OR ENVIRONMENTAL DAMAGE ("CRITICAL APPLICATIONS"). TI SEMICONDUCTOR PRODUCTS ARE NOT DESIGNED, AUTHORIZED, OR WARRANTED TO BE SUITABLE FOR USE IN LIFE-SUPPORT DEVICES OR SYSTEMS OR OTHER CRITICAL APPLICATIONS. INCLUSION OF TI PRODUCTS IN SUCH APPLICATIONS IS UNDERSTOOD TO BE FULLY AT THE CUSTOMER'S RISK.

In order to minimize risks associated with the customer's applications, adequate design and operating safeguards must be provided by the customer to minimize inherent or procedural hazards.

TI assumes no liability for applications assistance or customer product design. TI does not warrant or represent that any license, either express or implied, is granted under any patent right, copyright, mask work right, or other intellectual property right of TI covering or relating to any combination, machine, or process in which such semiconductor products or services might be or are used. TI's publication of information regarding any third party's products or services does not constitute TI's approval, warranty or endorsement thereof.

## Looking for pricing, stock, or lifecycle information?

Click below to explore more details on WIN SOURCE:

 [View 74AC11244PWR](#) on WIN SOURCE

 [Texas Instruments](#) Information

## Optimize Your Supply Chain with WIN SOURCE Solutions

-  Global Sourcing Solution
-  Obsolete Management
-  Cost Control Management
-  Shortage Management
-  Alternative Solution
-  Excess Inventory Management