



**THE DATASHEET OF
SN74ALS620ADW**



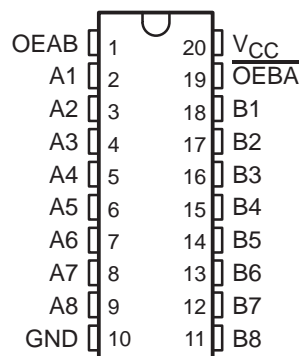
SN74ALS620A, SN74ALS621A, SN74ALS623A, SN74AS623 OCTAL BUS TRANSCEIVERS

SDAS226A – DECEMBER 1982 – REVISED JANUARY 1995

- Local Bus-Latch Capability
- Choice of True or Inverting Logic
- Package Options Include Plastic Small-Outline (DW) Packages and Standard Plastic (N) 300-mil DIPs

| DEVICE | OUTPUT | LOGIC |
|------------------------|----------------|-----------|
| SN74ALS620A | 3 state | Inverting |
| SN74ALS621A | Open collector | True |
| SN74ALS623A, SN74AS623 | 3 state | True |

DW OR N PACKAGE
(TOP VIEW)



description

These octal bus transceivers are designed for asynchronous two-way communication between data buses. The control-function implementation allows for maximum flexibility in timing.

These devices allow data transmission from the A bus to the B bus or from the B bus to the A bus, depending upon the logic levels at the output-enable (OEAB and $\overline{\text{OEBA}}$) inputs.

The output-enable inputs disable the device so that the buses are effectively isolated. The dual-enable configuration gives the transceivers the capability to store data by simultaneously enabling OEAB and $\overline{\text{OEBA}}$. Each output reinforces its input in this transceiver configuration. When both OEAB and $\overline{\text{OEBA}}$ are enabled and all other data sources to the two sets of bus lines are in the high-impedance state, both sets of bus lines (16 total) remain at their last states. The 8-bit codes appearing on the two sets of buses are identical for the SN74ALS621A, SN74ALS623A, and SN74AS623 or complementary for the SN74ALS620A.

The -1 versions of the SN74ALS620A and SN74ALS621A are identical to the standard versions, except that the recommended maximum I_{OL} is increased to 48 mA in the -1 versions.

The SN74ALS620A, SN74ALS621A, SN74ALS623A, and SN74AS623 are characterized for operation from 0°C to 70°C.

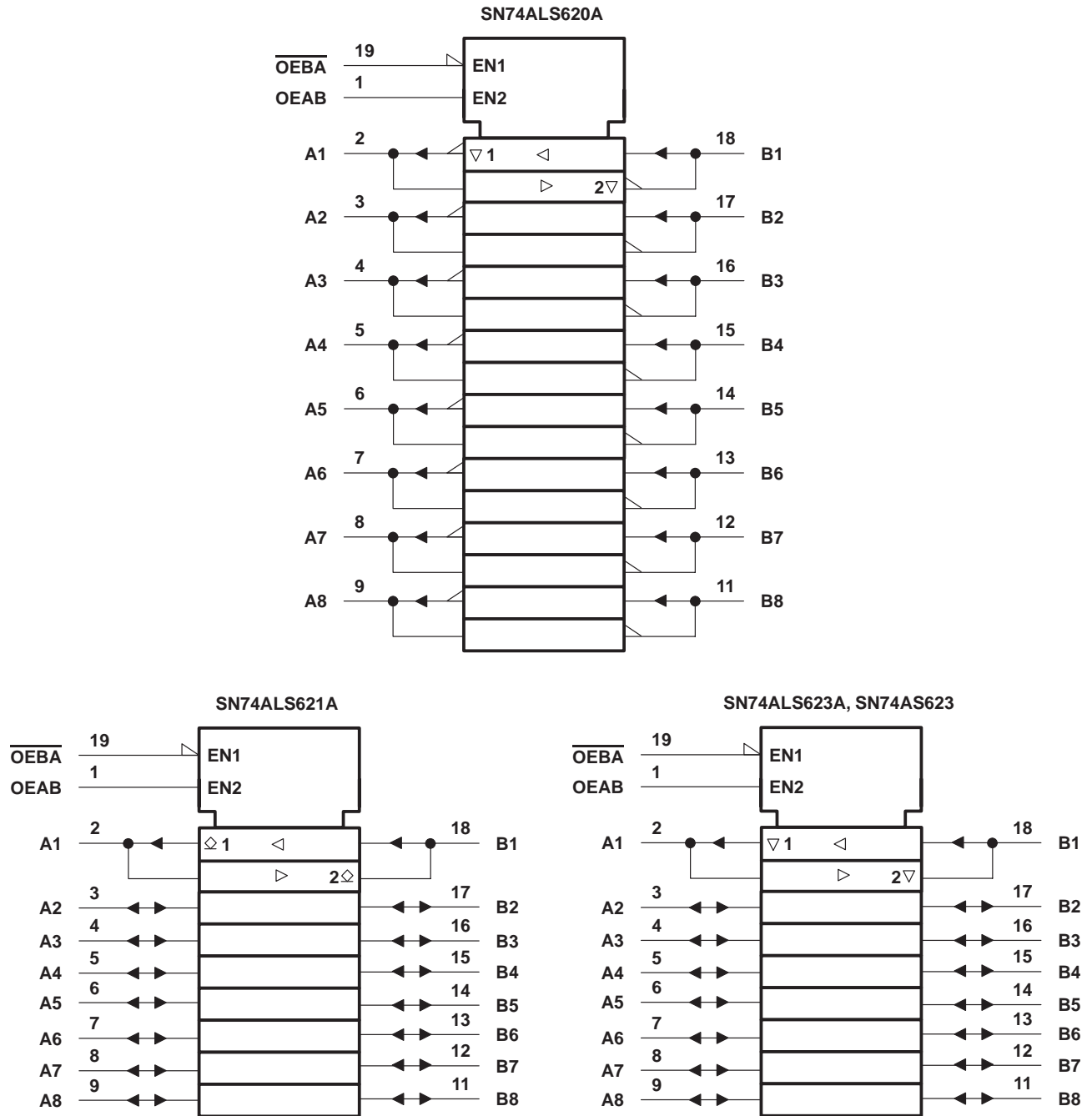
FUNCTION TABLE

| INPUTS | | OPERATION | |
|--------------------------|------|---|---|
| $\overline{\text{OEBA}}$ | OEAB | SN74ALS620A | SN74ALS621A SN74ALS623A SN74AS623 |
| L | L | $\overline{\text{B}}$ data to A bus | B data to A bus |
| H | H | $\overline{\text{A}}$ data to B bus | A data to B bus |
| H | L | Isolation | Isolation |
| L | H | $\overline{\text{B}}$ data to A bus, $\overline{\text{A}}$ data to B bus | B data to A bus, A data to B bus |

SN74ALS620A, SN74ALS621A, SN74ALS623A, SN74AS623 OCTAL BUS TRANSCEIVERS

SDAS226A – DECEMBER 1982 – REVISED JANUARY 1995

logic symbols†

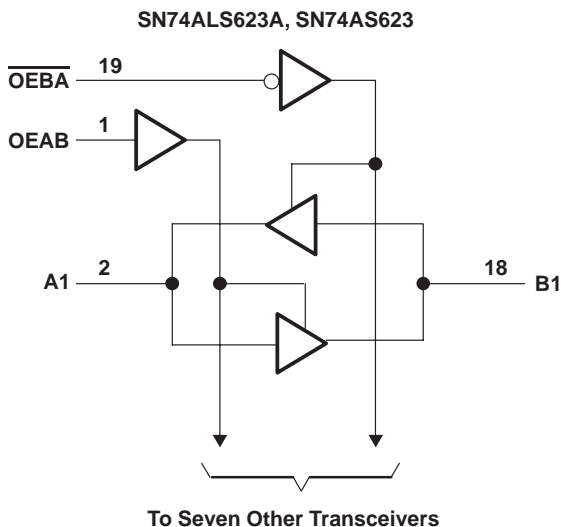
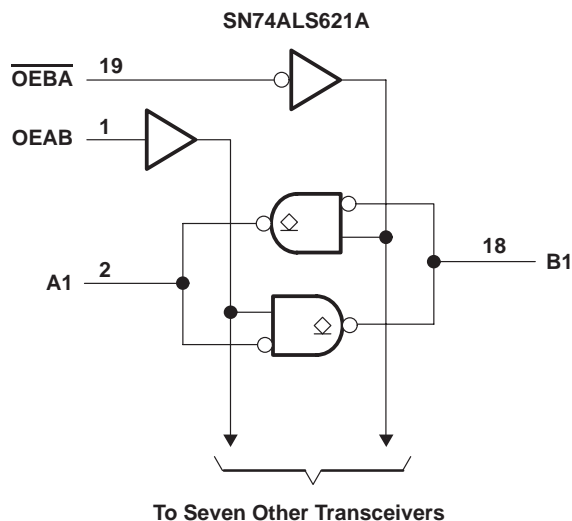
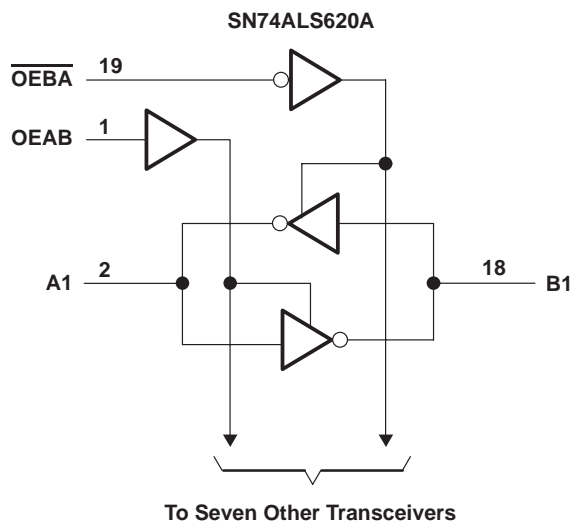


† These symbols are in accordance with ANSI/IEEE Std 91-1984 and IEC Publication 617-12.

SN74ALS620A, SN74ALS621A, SN74ALS623A, SN74AS623 OCTAL BUS TRANSCEIVERS

SDAS226A – DECEMBER 1982 – REVISED JANUARY 1995

logic diagrams (positive logic)



absolute maximum ratings over operating free-air temperature range (unless otherwise noted)[†]

| | |
|--|----------------|
| Supply voltage, V_{CC} | 7 V |
| Input voltage, V_I : All inputs | 7 V |
| I/O ports | 5.5 V |
| Operating free-air temperature range, T_A : SN74ALS620A, SN74ALS623A | 0°C to 70°C |
| Storage temperature range | -65°C to 150°C |

[†] Stresses beyond those listed under "absolute maximum ratings" may cause permanent damage to the device. These are stress ratings only, and functional operation of the device at these or any other conditions beyond those indicated under "recommended operating conditions" is not implied. Exposure to absolute-maximum-rated conditions for extended periods may affect device reliability.

SN74ALS620A, SN74ALS621A, SN74ALS623A, SN74AS623 OCTAL BUS TRANSCEIVERS

SDAS226A – DECEMBER 1982 – REVISED JANUARY 1995

recommended operating conditions

| | | SN74ALS620A SN74ALS623A | | | UNIT |
|----------|--------------------------------|----------------------------|-----|-----|------|
| | | MIN | NOM | MAX | |
| V_{CC} | Supply voltage | 4.5 | 5 | 5.5 | V |
| V_{IH} | High-level input voltage | 2 | | | V |
| V_{IL} | Low-level input voltage | | | 0.8 | V |
| I_{OH} | High-level output current | | | -15 | mA |
| I_{OL} | Low-level output current | | | 24 | mA |
| T_A | Operating free-air temperature | 0 | | 70 | °C |

electrical characteristics over recommended operating free-air temperature range (unless otherwise noted)

| PARAMETER | | TEST CONDITIONS | | SN74ALS620A SN74ALS623A | | UNIT |
|-------------------|----------------|--|----------------------------------|----------------------------|------|---------------|
| | | | | MIN | TYP† | |
| V_{IK} | | $V_{CC} = 4.5\text{ V}$, | $I_I = -18\text{ mA}$ | | -1.2 | V |
| V_{OH} | | $V_{CC} = 4.5\text{ V to } 5.5\text{ V}$, | $I_{OH} = -0.4\text{ mA}$ | $V_{CC} - 2$ | | V |
| | | $V_{CC} = 4.5\text{ V}$ | $I_{OH} = -3\text{ mA}$ | 2.4 | 3.2 | |
| | | | $I_{OH} = -15\text{ mA}$ | 2 | | |
| V_{OL} | | $V_{CC} = 4.5\text{ V}$ | $I_{OL} = 12\text{ mA}$ | 0.25 | 0.4 | V |
| | | | $I_{OL} = 24\text{ mA}^\ddagger$ | 0.35 | 0.5 | |
| I_I | Control inputs | $V_{CC} = 5.5\text{ V}$ | $V_I = 7\text{ V}$ | 0.1 | | mA |
| | A or B ports | | $V_I = 5.5\text{ V}$ | 0.1 | | |
| I_{IH} | Control inputs | $V_{CC} = 5.5\text{ V}$, | $V_I = 2.7\text{ V}$ | 20 | | μA |
| | A or B ports§ | | | 20 | | |
| I_{IL} | Control inputs | $V_{CC} = 5.5\text{ V}$, | $V_I = 0.4\text{ V}$ | -0.1 | | mA |
| | A or B ports§ | | | -0.1 | | |
| I_{O}^\parallel | | $V_{CC} = 5.5\text{ V}$, | $V_O = 2.25\text{ V}$ | -30 | -112 | mA |
| I_{CC} | SN74ALS620A | $V_{CC} = 5.5\text{ V}$ | Outputs high | 24 | 34 | mA |
| | | | Outputs low | 31 | 44 | |
| | | | Outputs disabled | 33 | 47 | |
| | SN74ALS623A | $V_{CC} = 5.5\text{ V}$ | Outputs high | 32 | 43 | |
| | | | Outputs low | 39 | 50 | |
| | | | Outputs disabled | 42 | 55 | |

† All typical values are at $V_{CC} = 5\text{ V}$, $T_A = 25^\circ\text{C}$.

‡ Applies only to the -1 version and only if V_{CC} is between 4.75 V and 5.25 V

§ For I/O ports, the parameters I_{IH} and I_{IL} include the off-state output current.

¶ The output conditions have been chosen to produce a current that closely approximates one half of the true short-circuit output current, I_{OS} .

SN74ALS620A, SN74ALS621A, SN74ALS623A, SN74AS623 OCTAL BUS TRANSCEIVERS

SDAS226A – DECEMBER 1982 – REVISED JANUARY 1995

switching characteristics (see Figure 1)

| PARAMETER | FROM (INPUT) | TO (OUTPUT) | V _{CC} = 4.5 V to 5.5 V, C _L = 50 pF, R ₁ = 500 Ω, R ₂ = 500 Ω, T _A = MIN to MAX† | | | | UNIT |
|------------------|--------------------------|----------------|--|-----|-------------|-----|------|
| | | | SN74ALS620A | | SN74ALS623A | | |
| | | | MIN | MAX | MIN | MAX | |
| t _{PLH} | A | B | 2 | 10 | 2 | 13 | ns |
| t _{PHL} | | | 2 | 10 | 3 | 11 | |
| t _{PLH} | B | A | 2 | 10 | 2 | 13 | ns |
| t _{PHL} | | | 2 | 10 | 3 | 11 | |
| t _{PZH} | $\overline{\text{OEBA}}$ | A | 3 | 17 | 5 | 22 | ns |
| t _{PZL} | | | 5 | 25 | 5 | 22 | |
| t _{PHZ} | $\overline{\text{OEBA}}$ | A | 2 | 12 | 2 | 16 | ns |
| t _{PLZ} | | | 3 | 18 | 2 | 19 | |
| t _{PZH} | OEAB | B | 3 | 18 | 5 | 22 | ns |
| t _{PZL} | | | 5 | 25 | 5 | 22 | |
| t _{PHZ} | OEAB | B | 2 | 12 | 2 | 16 | ns |
| t _{PLZ} | | | 3 | 18 | 2 | 19 | |

† For conditions shown as MIN or MAX, use the appropriate value specified under recommended operating conditions.

absolute maximum ratings over operating free-air temperature range (unless otherwise noted)‡

| | |
|--|----------------|
| Supply voltage, V _{CC} | 7 V |
| Input voltage, V _I : All inputs and I/O ports | 7 V |
| Operating free-air temperature range, T _A : SN74ALS621A | 0°C to 70°C |
| Storage temperature range | -65°C to 150°C |

‡ Stresses beyond those listed under “absolute maximum ratings” may cause permanent damage to the device. These are stress ratings only, and functional operation of the device at these or any other conditions beyond those indicated under “recommended operating conditions” is not implied. Exposure to absolute-maximum-rated conditions for extended periods may affect device reliability.

recommended operating conditions

| | | SN74ALS621A | | | UNIT |
|-----------------|--------------------------------|-------------|-----|-----|------|
| | | MIN | NOM | MAX | |
| V _{CC} | Supply voltage | 4.5 | 5 | 5.5 | V |
| V _{IH} | High-level input voltage | 2 | | | V |
| V _{IL} | Low-level input voltage | | | 0.8 | V |
| V _{OH} | High-level output voltage | | | 5.5 | V |
| I _{OL} | Low-level output current | | | 24 | mA |
| | | | | 48§ | mA |
| T _A | Operating free-air temperature | 0 | | 70 | °C |

§ Applies only to the -1 version and only if V_{CC} is between 4.75 V and 5.25 V



SN74ALS620A, SN74ALS621A, SN74ALS623A, SN74AS623 OCTAL BUS TRANSCEIVERS

SDAS226A – DECEMBER 1982 – REVISED JANUARY 1995

electrical characteristics over recommended operating free-air temperature range (unless otherwise noted)

| PARAMETER | | TEST CONDITIONS | SN74ALS621A | | UNIT | |
|-----------------|----------------|--|--------------------------|------|------|-----|
| | | | MIN | TYP† | | MAX |
| V _{IK} | | V _{CC} = 4.5 V, I _I = -18 mA | -1.5 | | V | |
| I _{OH} | | V _{CC} = 4.5 V, V _{OH} = 5.5 V | 0.1 | | mA | |
| V _{OL} | | V _{CC} = 4.5 V | I _{OL} = 24 mA | 0.35 | 0.5 | V |
| | | | I _{OL} = 48 mA‡ | 0.35 | 0.5 | |
| I _I | Control inputs | V _{CC} = 5.5 V | V _I = 7 V | 0.1 | | mA |
| | A or B ports | | V _I = 5.5 V | 0.1 | | |
| I _{IH} | Control inputs | V _{CC} = 5.5 V, V _I = 2.7 V | 20 | | μA | |
| | A or B ports§ | | 20 | | | |
| I _{IL} | Control inputs | V _{CC} = 5.5 V, V _I = 0.4 V | -0.1 | | mA | |
| | A or B ports§ | | -0.1 | | | |
| I _{CC} | | V _{CC} = 5.5 V | Outputs high | 29 | 40 | mA |
| | | | Outputs low | 35 | 48 | |

† All typical values are at V_{CC} = 5 V, T_A = 25°C.

‡ Applies only to the -1 version and only if V_{CC} is between 4.75 V and 5.25 V

§ For I/O ports, the parameters I_{IH} and I_{IL} include the off-state output current.

switching characteristics (see Figure 1)

| PARAMETER | FROM (INPUT) | TO (OUTPUT) | V _{CC} = 4.5 V to 5.5 V, C _L = 50 pF, R _L = 680 Ω, T _A = MIN to MAX†† | | UNIT |
|------------------|--------------------------|-------------|---|-----|------|
| | | | SN74ALS621A | | |
| | | | MIN | MAX | |
| t _{PLH} | A | B | 10 | 33 | ns |
| t _{PHL} | | | 5 | 20 | |
| t _{PLH} | B | A | 10 | 33 | ns |
| t _{PHL} | | | 5 | 20 | |
| t _{PLH} | $\overline{\text{OEBA}}$ | A | 10 | 39 | ns |
| t _{PHL} | | | 12 | 35 | |
| t _{PLH} | OEAB | B | 10 | 39 | ns |
| t _{PHL} | | | 12 | 35 | |

†† For conditions shown as MIN or MAX, use the appropriate value specified under recommended operating conditions.

SN74ALS620A, SN74ALS621A, SN74ALS623A, SN74AS623 OCTAL BUS TRANSCEIVERS

SDAS226A – DECEMBER 1982 – REVISED JANUARY 1995

absolute maximum ratings over operating free-air temperature range (unless otherwise noted)†

| | |
|---|----------------|
| Supply voltage, V_{CC} | 7 V |
| Input voltage, V_I : All inputs | 7 V |
| I/O ports | 5.5 V |
| Operating free-air temperature range, T_A : SN74AS623 | 0°C to 70°C |
| Storage temperature range | –65°C to 150°C |

† Stresses beyond those listed under “absolute maximum ratings” may cause permanent damage to the device. These are stress ratings only, and functional operation of the device at these or any other conditions beyond those indicated under “recommended operating conditions” is not implied. Exposure to absolute-maximum-rated conditions for extended periods may affect device reliability.

recommended operating conditions

| | | SN74AS623 | | | UNIT |
|----------|--------------------------------|-----------|-----|-----|------|
| | | MIN | NOM | MAX | |
| V_{CC} | Supply voltage | 4.5 | 5 | 5.5 | V |
| V_{IH} | High-level input voltage | 2 | | | V |
| V_{IL} | Low-level input voltage | | | 0.8 | V |
| I_{OH} | High-level output current | | | –15 | mA |
| I_{OL} | Low-level output current | | | 64 | mA |
| T_A | Operating free-air temperature | 0 | | 70 | °C |

electrical characteristics over recommended operating free-air temperature range (unless otherwise noted)

| PARAMETER | TEST CONDITIONS | SN74AS623 | | | UNIT | |
|---------------------|---|-------------------------|----------------------|------|-------|----|
| | | MIN | TYP‡ | MAX | | |
| V_{IK} | $V_{CC} = 4.5\text{ V}$, $I_I = -18\text{ mA}$ | | | –1.2 | V | |
| V_{OH} | $V_{CC} = 4.5\text{ V to }5.5\text{ V}$, $I_{OH} = -2\text{ mA}$ | $V_{CC} - 2$ | | | V | |
| | $V_{CC} = 4.5\text{ V}$, $I_{OH} = -3\text{ mA}$ | 2.4 | 3.2 | | | |
| | $V_{CC} = 4.5\text{ V}$, $I_{OH} = -15\text{ mA}$ | 2 | | | | |
| V_{OL} | $V_{CC} = 4.5\text{ V}$, $I_{OL} = 64\text{ mA}$ | 0.35 | 0.55 | | V | |
| I_I | Control inputs | $V_{CC} = 5.5\text{ V}$ | $V_I = 7\text{ V}$ | | 0.1 | mA |
| | A or B ports | | $V_I = 5.5\text{ V}$ | | 0.1 | |
| I_{IH} | Control inputs | $V_{CC} = 5.5\text{ V}$ | $V_I = 2.7\text{ V}$ | | 20 | µA |
| | A or B ports§ | | | | 70 | |
| I_{IL} | Control inputs | $V_{CC} = 5.5\text{ V}$ | $V_I = 0.4\text{ V}$ | | –0.5 | mA |
| | A or B ports§ | | | | –0.75 | |
| I_{O}^{\parallel} | $V_{CC} = 5.5\text{ V}$, $V_O = 2.25\text{ V}$ | –30 | | –150 | mA | |
| I_{CC} | $V_{CC} = 5.5\text{ V}$ | Outputs high | | 57 | 93 | mA |
| | | Outputs low | | 16 | 189 | |
| | | Outputs disabled | | 71 | 116 | |

‡ All typical values are at $V_{CC} = 5\text{ V}$, $T_A = 25^\circ\text{C}$.

§ For I/O ports, the parameters I_{IH} and I_{IL} include the off-state output current.

¶ The output conditions have been chosen to produce a current that closely approximates one half of the true short-circuit output current, I_{OS} .



SN74ALS620A, SN74ALS621A, SN74ALS623A, SN74AS623 OCTAL BUS TRANSCEIVERS

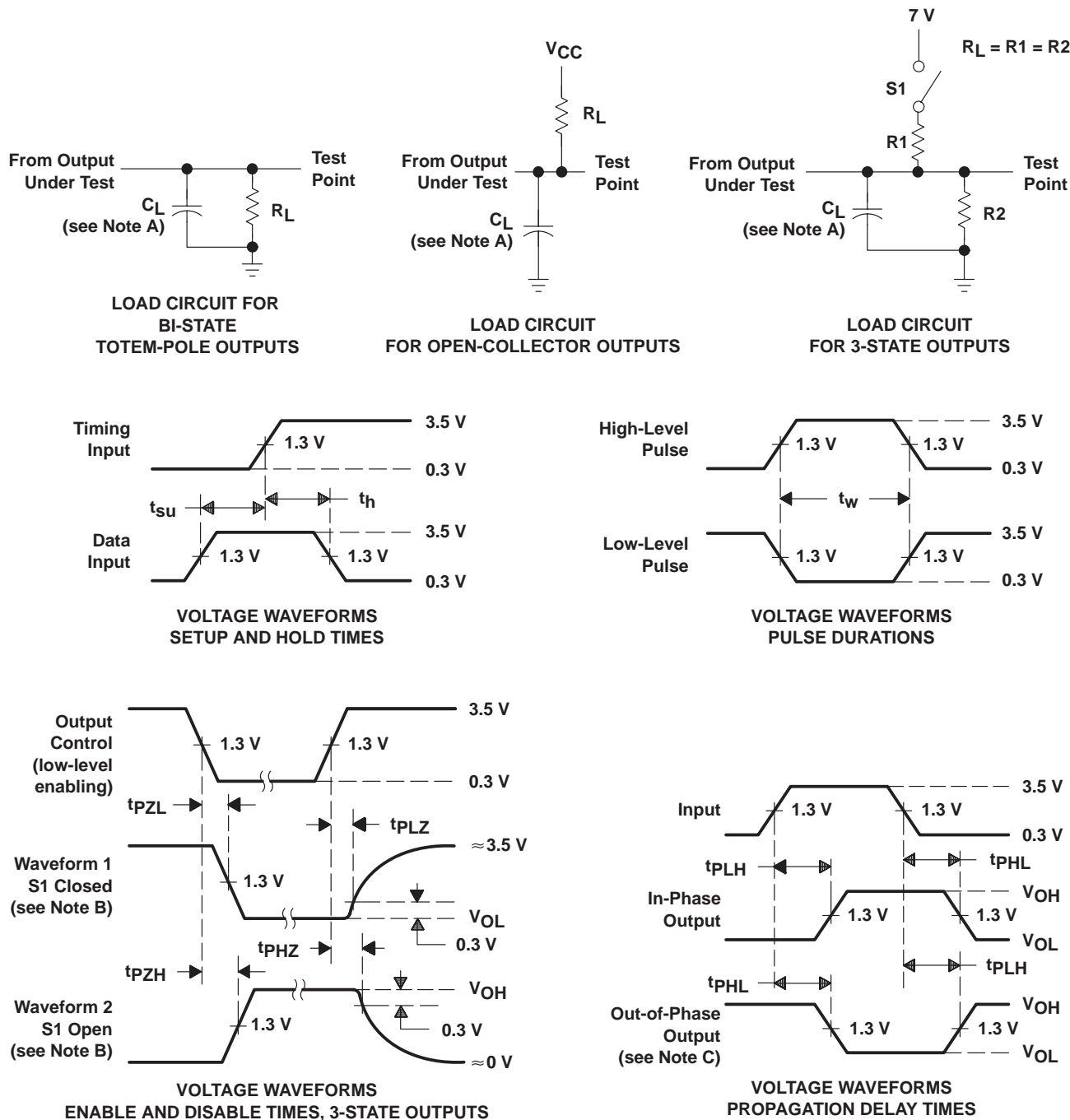
SDAS226A – DECEMBER 1982 – REVISED JANUARY 1995

switching characteristics (see Figure 1)

| PARAMETER | FROM (INPUT) | TO (OUTPUT) | V _{CC} = 4.5 V to 5.5 V, C _L = 50 pF, R ₁ = 500 Ω, R ₂ = 500 Ω, T _A = MIN to MAX† | | UNIT |
|------------------|--------------------------|----------------|--|------|------|
| | | | SN74AS623 | | |
| | | | MIN | MAX | |
| t _{PLH} | A | B | 1 | 9 | ns |
| t _{PHL} | | | 1 | 8 | |
| t _{PLH} | B | A | 1 | 9 | ns |
| t _{PHL} | | | 1 | 8.5 | |
| t _{PZH} | $\overline{\text{OEBA}}$ | A | 2 | 11 | ns |
| t _{PZL} | | | 2 | 10 | |
| t _{PHZ} | $\overline{\text{OEBA}}$ | A | 1 | 7.5 | ns |
| t _{PLZ} | | | 1 | 11.5 | |
| t _{PZH} | OEAB | B | 2 | 11.5 | ns |
| t _{PZL} | | | 2 | 11 | |
| t _{PHZ} | OEAB | B | 1 | 7 | ns |
| t _{PLZ} | | | 1 | 9 | |

† For conditions shown as MIN or MAX, use the appropriate value specified under recommended operating conditions.

PARAMETER MEASUREMENT INFORMATION
SERIES 54ALS/74ALS AND 54AS/74AS DEVICES



- NOTES: A. C_L includes probe and jig capacitance.
 B. Waveform 1 is for an output with internal conditions such that the output is low except when disabled by the output control. Waveform 2 is for an output with internal conditions such that the output is high except when disabled by the output control.
 C. When measuring propagation delay items of 3-state outputs, switch S1 is open.
 D. All input pulses have the following characteristics: $PRR \leq 1$ MHz, $t_r = t_f = 2$ ns, duty cycle = 50%.
 E. The outputs are measured one at a time with one transition per measurement.

Figure 1. Load Circuits and Voltage Waveforms

PACKAGING INFORMATION

| Orderable Device | Status (1) | Package Type | Package Drawing | Pins | Package Qty | Eco Plan (2) | Lead/Ball Finish (6) | MSL Peak Temp (3) | Op Temp (°C) | Device Marking (4/5) | Samples |
|------------------|---------------|--------------|-----------------|------|-------------|-------------------------|-------------------------|----------------------|--------------|-------------------------|-------------------------|
| SN74ALS620ADW | ACTIVE | SOIC | DW | 20 | 25 | Green (RoHS & no Sb/Br) | CU NIPDAU | Level-1-260C-UNLIM | 0 to 70 | ALS620A | Samples |
| SN74ALS620ADWG4 | ACTIVE | SOIC | DW | 20 | 25 | Green (RoHS & no Sb/Br) | CU NIPDAU | Level-1-260C-UNLIM | 0 to 70 | ALS620A | Samples |
| SN74ALS620AN | ACTIVE | PDIP | N | 20 | 20 | Pb-Free (RoHS) | CU NIPDAU | N / A for Pkg Type | 0 to 70 | SN74ALS620AN | Samples |
| SN74ALS621A-1N | ACTIVE | PDIP | N | 20 | 20 | Pb-Free (RoHS) | CU NIPDAU | N / A for Pkg Type | 0 to 70 | SN74ALS621A-1N | Samples |
| SN74ALS621ADW | ACTIVE | SOIC | DW | 20 | 25 | Green (RoHS & no Sb/Br) | CU NIPDAU | Level-1-260C-UNLIM | 0 to 70 | ALS621A | Samples |
| SN74ALS621AN | ACTIVE | PDIP | N | 20 | 20 | Pb-Free (RoHS) | CU NIPDAU | N / A for Pkg Type | 0 to 70 | SN74ALS621AN | Samples |
| SN74ALS621ANE4 | ACTIVE | PDIP | N | 20 | 20 | Pb-Free (RoHS) | CU NIPDAU | N / A for Pkg Type | 0 to 70 | SN74ALS621AN | Samples |
| SN74ALS623ADW | ACTIVE | SOIC | DW | 20 | 25 | Green (RoHS & no Sb/Br) | CU NIPDAU | Level-1-260C-UNLIM | 0 to 70 | ALS623A | Samples |
| SN74ALS623AN | ACTIVE | PDIP | N | 20 | 20 | Pb-Free (RoHS) | CU NIPDAU | N / A for Pkg Type | 0 to 70 | SN74ALS623AN | Samples |
| SN74ALS623ANSR | ACTIVE | SO | NS | 20 | 2000 | Green (RoHS & no Sb/Br) | CU NIPDAU | Level-1-260C-UNLIM | 0 to 70 | ALS623A | Samples |

(1) The marketing status values are defined as follows:

ACTIVE: Product device recommended for new designs.

LIFEBUY: TI has announced that the device will be discontinued, and a lifetime-buy period is in effect.

NRND: Not recommended for new designs. Device is in production to support existing customers, but TI does not recommend using this part in a new design.

PREVIEW: Device has been announced but is not in production. Samples may or may not be available.

OBSELETE: TI has discontinued the production of the device.

(2) **RoHS:** TI defines "RoHS" to mean semiconductor products that are compliant with the current EU RoHS requirements for all 10 RoHS substances, including the requirement that RoHS substance do not exceed 0.1% by weight in homogeneous materials. Where designed to be soldered at high temperatures, "RoHS" products are suitable for use in specified lead-free processes. TI may reference these types of products as "Pb-Free".

RoHS Exempt: TI defines "RoHS Exempt" to mean products that contain lead but are compliant with EU RoHS pursuant to a specific EU RoHS exemption.

Green: TI defines "Green" to mean the content of Chlorine (Cl) and Bromine (Br) based flame retardants meet JS709B low halogen requirements of <=1000ppm threshold. Antimony trioxide based flame retardants must also meet the <=1000ppm threshold requirement.

(3) MSL, Peak Temp. - The Moisture Sensitivity Level rating according to the JEDEC industry standard classifications, and peak solder temperature.

(4) There may be additional marking, which relates to the logo, the lot trace code information, or the environmental category on the device.

(5) Multiple Device Markings will be inside parentheses. Only one Device Marking contained in parentheses and separated by a "~" will appear on a device. If a line is indented then it is a continuation of the previous line and the two combined represent the entire Device Marking for that device.

(6) Lead/Ball Finish - Orderable Devices may have multiple material finish options. Finish options are separated by a vertical ruled line. Lead/Ball Finish values may wrap to two lines if the finish value exceeds the maximum column width.

Important Information and Disclaimer:The information provided on this page represents TI's knowledge and belief as of the date that it is provided. TI bases its knowledge and belief on information provided by third parties, and makes no representation or warranty as to the accuracy of such information. Efforts are underway to better integrate information from third parties. TI has taken and continues to take reasonable steps to provide representative and accurate information but may not have conducted destructive testing or chemical analysis on incoming materials and chemicals. TI and TI suppliers consider certain information to be proprietary, and thus CAS numbers and other limited information may not be available for release.

In no event shall TI's liability arising out of such information exceed the total purchase price of the TI part(s) at issue in this document sold by TI to Customer on an annual basis.

TAPE AND REEL INFORMATION



QUADRANT ASSIGNMENTS FOR PIN 1 ORIENTATION IN TAPE



*All dimensions are nominal

| Device | Package Type | Package Drawing | Pins | SPQ | Reel Diameter (mm) | Reel Width W1 (mm) | A0 (mm) | B0 (mm) | K0 (mm) | P1 (mm) | W (mm) | Pin1 Quadrant |
|----------------|--------------|-----------------|------|------|--------------------|--------------------|---------|---------|---------|---------|--------|---------------|
| SN74ALS623ANSR | SO | NS | 20 | 2000 | 330.0 | 24.4 | 8.4 | 13.0 | 2.5 | 12.0 | 24.0 | Q1 |

TAPE AND REEL BOX DIMENSIONS



*All dimensions are nominal

| Device | Package Type | Package Drawing | Pins | SPQ | Length (mm) | Width (mm) | Height (mm) |
|----------------|--------------|-----------------|------|------|-------------|------------|-------------|
| SN74ALS623ANSR | SO | NS | 20 | 2000 | 367.0 | 367.0 | 45.0 |

MECHANICAL DATA

NS (R-PDSO-G**)

PLASTIC SMALL-OUTLINE PACKAGE

14-PINS SHOWN



- NOTES:
- A. All linear dimensions are in millimeters.
 - B. This drawing is subject to change without notice.
 - C. Body dimensions do not include mold flash or protrusion, not to exceed 0,15.

N (R-PDIP-T**)

PLASTIC DUAL-IN-LINE PACKAGE

16 PINS SHOWN



- NOTES:
- A. All linear dimensions are in inches (millimeters).
 - B. This drawing is subject to change without notice.
 - Falls within JEDEC MS-001, except 18 and 20 pin minimum body length (Dim A).
 - The 20 pin end lead shoulder width is a vendor option, either half or full width.

DW0020A



PACKAGE OUTLINE

SOIC - 2.65 mm max height

SOIC



4220724/A 05/2016

NOTES:

1. All linear dimensions are in millimeters. Dimensions in parenthesis are for reference only. Dimensioning and tolerancing per ASME Y14.5M.
2. This drawing is subject to change without notice.
3. This dimension does not include mold flash, protrusions, or gate burrs. Mold flash, protrusions, or gate burrs shall not exceed 0.15 mm per side.
4. This dimension does not include interlead flash. Interlead flash shall not exceed 0.43 mm per side.
5. Reference JEDEC registration MS-013.

EXAMPLE BOARD LAYOUT

DW0020A

SOIC - 2.65 mm max height

SOIC



LAND PATTERN EXAMPLE
SCALE:6X



SOLDER MASK DETAILS

4220724/A 05/2016

NOTES: (continued)

- 6. Publication IPC-7351 may have alternate designs.
- 7. Solder mask tolerances between and around signal pads can vary based on board fabrication site.

EXAMPLE STENCIL DESIGN

DW0020A

SOIC - 2.65 mm max height

SOIC



SOLDER PASTE EXAMPLE
BASED ON 0.125 mm THICK STENCIL
SCALE:6X

4220724/A 05/2016

NOTES: (continued)

8. Laser cutting apertures with trapezoidal walls and rounded corners may offer better paste release. IPC-7525 may have alternate design recommendations.
9. Board assembly site may have different recommendations for stencil design.

IMPORTANT NOTICE AND DISCLAIMER

TI PROVIDES TECHNICAL AND RELIABILITY DATA (INCLUDING DATASHEETS), DESIGN RESOURCES (INCLUDING REFERENCE DESIGNS), APPLICATION OR OTHER DESIGN ADVICE, WEB TOOLS, SAFETY INFORMATION, AND OTHER RESOURCES "AS IS" AND WITH ALL FAULTS, AND DISCLAIMS ALL WARRANTIES, EXPRESS AND IMPLIED, INCLUDING WITHOUT LIMITATION ANY IMPLIED WARRANTIES OF MERCHANTABILITY, FITNESS FOR A PARTICULAR PURPOSE OR NON-INFRINGEMENT OF THIRD PARTY INTELLECTUAL PROPERTY RIGHTS.

These resources are intended for skilled developers designing with TI products. You are solely responsible for (1) selecting the appropriate TI products for your application, (2) designing, validating and testing your application, and (3) ensuring your application meets applicable standards, and any other safety, security, or other requirements. These resources are subject to change without notice. TI grants you permission to use these resources only for development of an application that uses the TI products described in the resource. Other reproduction and display of these resources is prohibited. No license is granted to any other TI intellectual property right or to any third party intellectual property right. TI disclaims responsibility for, and you will fully indemnify TI and its representatives against, any claims, damages, costs, losses, and liabilities arising out of your use of these resources.

TI's products are provided subject to TI's Terms of Sale (www.ti.com/legal/termsofsale.html) or other applicable terms available either on ti.com or provided in conjunction with such TI products. TI's provision of these resources does not expand or otherwise alter TI's applicable warranties or warranty disclaimers for TI products.

Mailing Address: Texas Instruments, Post Office Box 655303, Dallas, Texas 75265
Copyright © 2019, Texas Instruments Incorporated

Looking for pricing, stock, or lifecycle information?

Click below to explore more details on WIN SOURCE:

 [View SN74ALS620ADW on WIN SOURCE](#)

 [Texas Instruments](#) Information

Optimize Your Supply Chain with WIN SOURCE Solutions

-  Global Sourcing Solution
-  Obsolete Management
-  Cost Control Management
-  Shortage Management
-  Alternative Solution
-  Excess Inventory Management