



THE DATASHEET OF
51750-033LF



1 | 2

3 |

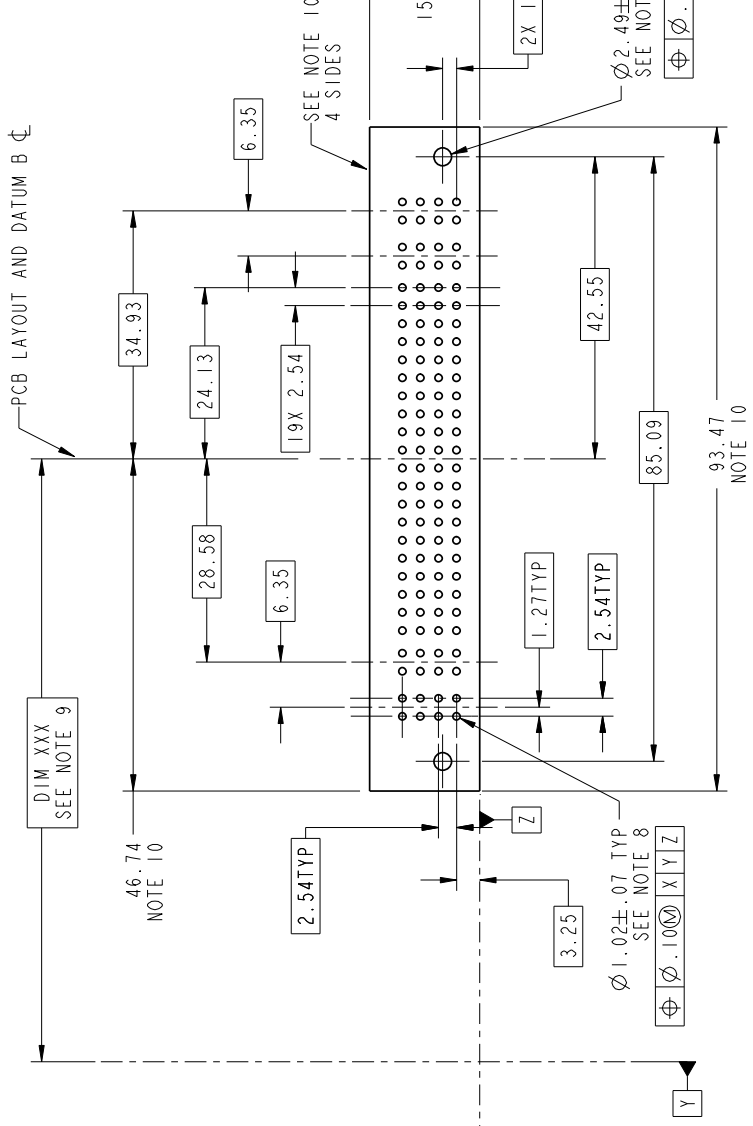
PRODUCT NUMBER

51750-033--
NOTE: 3

Tous droits strictement réservés. Reproduction ou communication à des tiers interdite sous quelque forme que ce soit sans autorisation écrite du propriétaire.
Propriété de © FCI. Droits de reproduction FCI.



All rights strictly reserved. Reproduction or issue to third parties in any form whatever is not permitted without written authority from the proprietor.
Property of FCI. Copyright FCI.



A

B

mat'l code		SEE NOTE		tolerances unless otherwise specified		CUSTOMER	
ltr	ecm no.	dr	date	linear	angles	dr	projection
C							VERTIC
							MM
sheet index	revision	sheet	scale				product form
			1:1				size
							dwg n
							5
							A

Pro/E

1 | 2

3 |

3 |

PDM: Rev:C

STATUS: R

Looking for pricing, stock, or lifecycle information?

Click below to explore more details on WIN SOURCE:

 [View 51750-033LF on WIN SOURCE](#)

 [Amphenol FCI Information](#)

Optimize Your Supply Chain with WIN SOURCE Solutions

-  Global Sourcing Solution
-  Obsolete Management
-  Cost Control Management
-  Shortage Management
-  Alternative Solution
-  Excess Inventory Management