



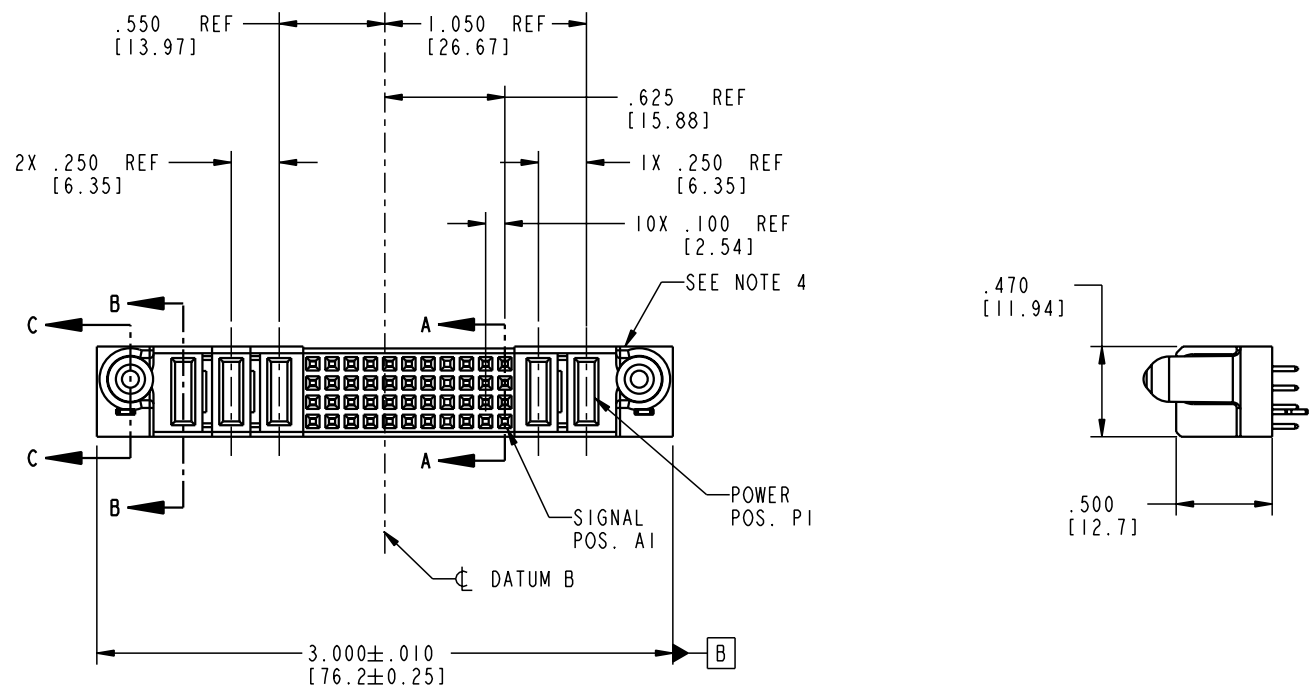
**THE DATASHEET OF**  
**51750-040**



Tous droits strictement réservés. Reproduction ou communication o des liers interdite sous quelque forme que ce soit sans autorisation écrite du propriétaire. Propriete de c FCI. Droits de reproduction FCI.

All rights strictly reserved. Reproduction or issue to third parties in any form whenever is not permitted without written authority from the proprietor. Property of FCI. Copyright FCI.

PRODUCT NO.	ROWS	POWER			SIGNAL							POWER		E1					
		E2	P5	P4	P3	11	10	9	8	7	6	5	4		3	2	1	P2	P1
51750-040	D C B A		PD	PA	PA	E	E	E	E	E	E	E	X	E	E	E	PD	PD	



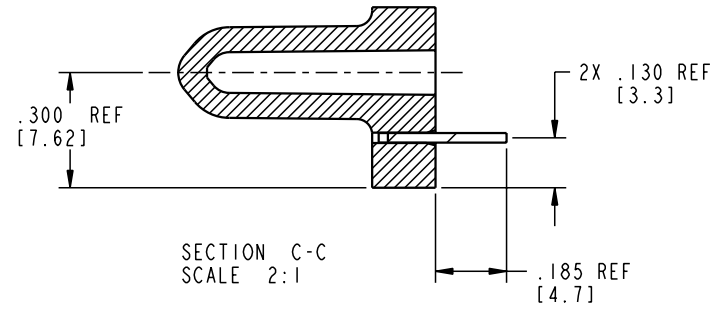
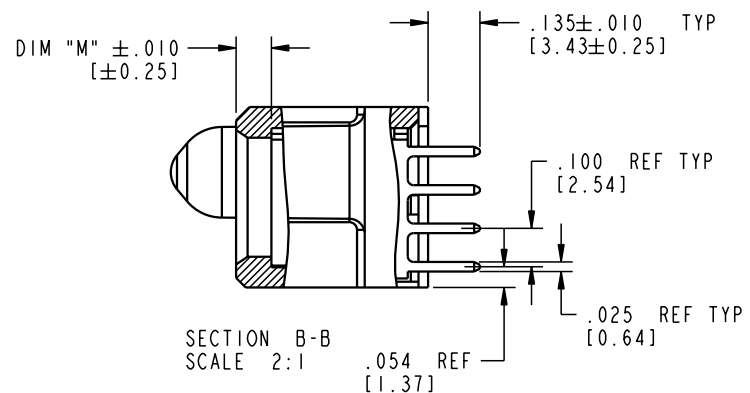
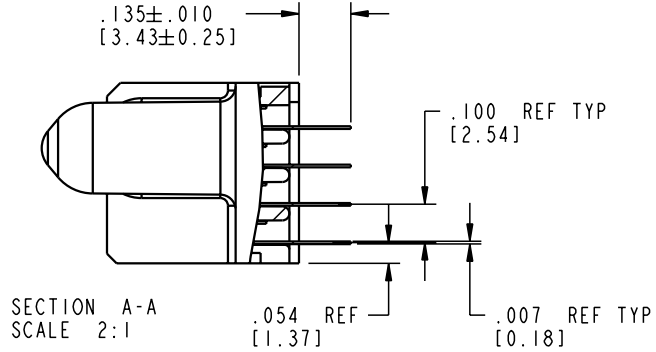
CODE	DIM "M" MATING LENGTH	CONTACT TYPE
E	N/A [N/A]	SIGNAL
PA	.042 [1.07]	POWER
PD	.092 [2.34]	POWER
HA	N/A [N/A]	HOLD-DOWN
X	OMITTED	OMITTED

mat'l code				SEE NOTE 2		tolerances unless otherwise specified		CUSTOMER		 www.fciconnect.com	
ltr	ecn no.	dr	date	linear	.XX±.01/0.X±0.3		COPY		title		
A	V21815	CGD	11/26/02		.XXX±.005/0.XXX±0.13		projection		2P + 44S + 3P		
B	V21841	CGD	12/04/02		.XXX±.0020/0.XXX±0.051				VERTICAL SOLDER RECEIPT		
C	V21853	TAB	12/06/02	angles	0° ± 2°				product family		code
				dr	C. DAILY	11/26/02	scale		PwrBlade		213
				engr	M. MOSTOLLER	11/26/02	1:1		size		sheet
				chr	M. MOSTOLLER	11/26/02			A		1 of 4
				appd	M. MOSTOLLER	11/26/02			51750-040		
sheet index	revision sheet	C	C	C	C				cage code		
		1	2	3	4				22526		

Tous droits strictement réservés. Reproduction ou communication o des tiers interdite sous quelque forme que ce soit sans autorisation écrite du propriétaire. Propriete de c FCI. Droits de reproduction FCI.

All rights strictly reserved. Reproduction or issue to third parties in any form, whatever is not permitted without written authority from the proprietor. Property of FCI. Copyright FCI.

PRODUCT NUMBER  
51750-040



mat'l code				SEE NOTE 2		tolerances unless otherwise specified		CUSTOMER		 www.fciconnect.com		
ltr	ecn no.	dr	date	linear	.XX±.01/0.X±0.3		COPY		title <b>2P + 44S + 3P</b> <b>VERTICAL SOLDER RECEIPT</b>			
C					.XXX±.005/0.XX±0.13		projection					product family
					angles	.XXX±.0020/0.XXX±0.051		 INCH/MM		PwrBlade		213
					dr	C. DAILY	11/26/02	scale		size		sheet
				enr	M. MOSTOLLER	11/26/02	1:1		A		51750-040	2 of 4
				chr	M. MOSTOLLER	11/26/02						
				appd	M. MOSTOLLER	11/26/02						
sheet index		revision sheet								cage code		4
										22526		

Pro/E

cage code 22526

Tous droits strictement réservés. Reproduction ou communication o des tiers interdite sous quelque forme que ce soit sans autorisation écrite du propriétaire. Propriete de c FCI. Droits de reproduction FCI.

All rights strictly reserved. Reproduction or issue to third parties in any form whatever is not permitted without written authority from the proprietor. Property of FCI. Copyright FCI.

PRODUCT NUMBER  
51750-040

DIM XXX  
SEE NOTE 10

2X  $\varnothing .098 \pm .003$   
[2.49 ± 0.07]  
SEE NOTE 8

$\oplus .004$  [0.1] X Y Z

.100 TYP  
[2.54]

$\varnothing .040 \pm .003$  TYP  
[1.02 ± 0.07]  
SEE NOTE 9

$\oplus \varnothing .004$  [0.1] X Y Z

1.515 SEE NOTE 11  
[38.48]

2.700  
[68.58]

.550  
[13.97]

1.050  
[26.67]

.625  
[15.88]

2X .250  
[6.35]

2X .100  
[2.54]

1X .250  
[6.35]

SEE NOTE 11  
4 SIDES

.610  
[15.49]  
SEE NOTE 11

.128  
[3.25]

.225  
[5.72]

2X .205  
[5.21]


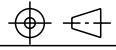
.050 TYP  
[1.27]

6X .100  
[2.54]

.100 TYP  
[2.54]

PCB LAYOUT  
AND DATUM B  $\varnothing$

3.030 SEE NOTE 11  
[76.96]

mat'l code				SEE NOTE 2		tolerances unless otherwise specified		CUSTOMER		 www.fciconnect.com	
ltr	ecn no.	dr	date	linear	.XX ± .01 / 0.X ± 0.3	projection		COPY		title	
C				angles	.XXX ± .005 / 0.XX ± 0.13 .XXX ± .0020 / 0.XXX ± 0.051			INCH/MM		2P + 44S + 3P VERTICAL SOLDER RECEPT	
				dr	C. DAILY	11/26/02	scale		product family		code
				enr	M. MOSTOLLER	11/26/02	1 : 1		PwrBlade		213
				chr	M. MOSTOLLER	11/26/02			size		sheet
				appd	M. MOSTOLLER	11/26/02			A		3 of 4
sheet index		revision sheet									

Pro/E

cage code 22526

PDM: Rev:C

STATUS: Released

Printed: Dec 20, 2010

Tous droits strictement réservés. Reproduction ou communication o des tiers interdite sous quelque forme que ce soit sans autorisation écrite du propriétaire. Propriete de c FCI. Droits de reproduction FCI.

**A**  
**FCI**

All rights strictly reserved. Reproduction or issue to third parties in any form, whatever is not permitted without written authority from the proprietor. Property of FCI. Copyright FCI.

**A**

**B**


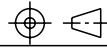
PRODUCT NUMBER  
**51750-040**

NOTES:

1. DIMENSIONS AND TOLERANCES ARE IN ACCORDANCE WITH ASME Y14.5M, 1994 UNLESS OTHERWISE SPECIFIED.

CONNECTOR NOTES:

- 2 HOUSING MATERIAL: UL 94 V-0 GLASS FILLED  
HIGH-TEMP THERMOPLASTIC  
POWER CONTACT MATERIAL: COPPER ALLOY  
SIGNAL PIN MATERIAL: COPPER ALLOY
- 3. PLATING:  
SIGNAL PINS: 30u"/0.76um Au OVER 50u"/1.27um Ni  
POWER CONTACTS: 50u"/1.27um Ni UNDER ALL  
WITH 30u"/0.76um Au ON CONTACT AREA  
AND SnPb ON PCB INTERFACE
- 4 MANUFACTURER'S NAME, P/N, AND DATE CODE TO APPEAR ON THIS SURFACE.
- 5. PRODUCT SPECIFICATION GS-12-149.  
APPLICATION SPECIFICATION BUS-20-067.
- 6. PACKAGED IN TRAYS.  
PCB NOTES:
- 7. ALL HOLE DIAMETERS ARE FINISHED HOLE SIZE.
- 8 MOUNTING HOLES, WHERE APPLICABLE, ARE UNPLATED.
- 9  $\varnothing .0453 \pm .0010$  [1.151  $\pm$  0.025] DRILLED HOLES PLATED WITH .0003 [0.008] MIN SnPb OVER .001 [0.03] TO .003 [0.08] Cu PLATING TO ACHIEVE  $\varnothing .040 \pm .003$  [1.02  $\pm$  .07] HOLE.
- 10 "DIM XXX" TO BE DETERMINED BY THE CUSTOMER.
- 11 CONNECTOR KEEP-OUT ZONE.

mat'l code				SEE NOTE 2		tolerances unless otherwise specified		CUSTOMER		 <b>FCI</b> www.fciconnect.com	
ltr	ecn no.	dr	date	linear	.XX±.01/0.X±0.3		COPY			title	
C					.XXX±.005/0.XXX±0.13		INCH/MM			2P + 44S + 3P	
					.XXX±.0020/0.XXX±0.051		scale			VERTICAL SOLDER RECEPT	
				angles	0° ± 2°		product family		PwrBlade		
				dr	C. DAILY	11/26/02	size		code		
				enr	M. MOSTOLLER	11/26/02	dwg no		213		
				chr	M. MOSTOLLER	11/26/02	A		51750-040		
				appd	M. MOSTOLLER	11/26/02	sheet		4 of 4		
sheet index	revision sheet										

**A**

**B**

1 | 2

3 |

4

1 | 2

Pro/E

3 |

cage code **22526**

4



**PDM: Rev:C**

STATUS: **Released**

Printed: Dec 20, 2010

## Looking for pricing, stock, or lifecycle information?

Click below to explore more details on WIN SOURCE:

-  [View 51750-040 on WIN SOURCE](#)
-  [Amphenol FCI Information](#)

## Optimize Your Supply Chain with WIN SOURCE Solutions

-  Global Sourcing Solution
-  Obsolete Management
-  Cost Control Management
-  Shortage Management
-  Alternative Solution
-  Excess Inventory Management