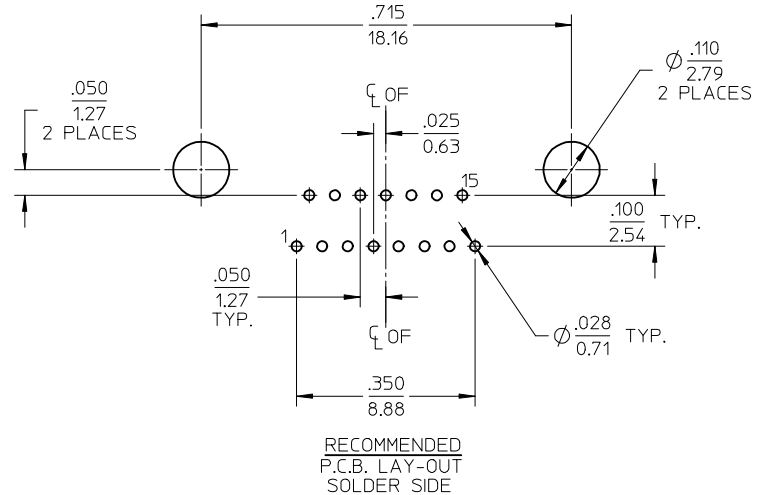
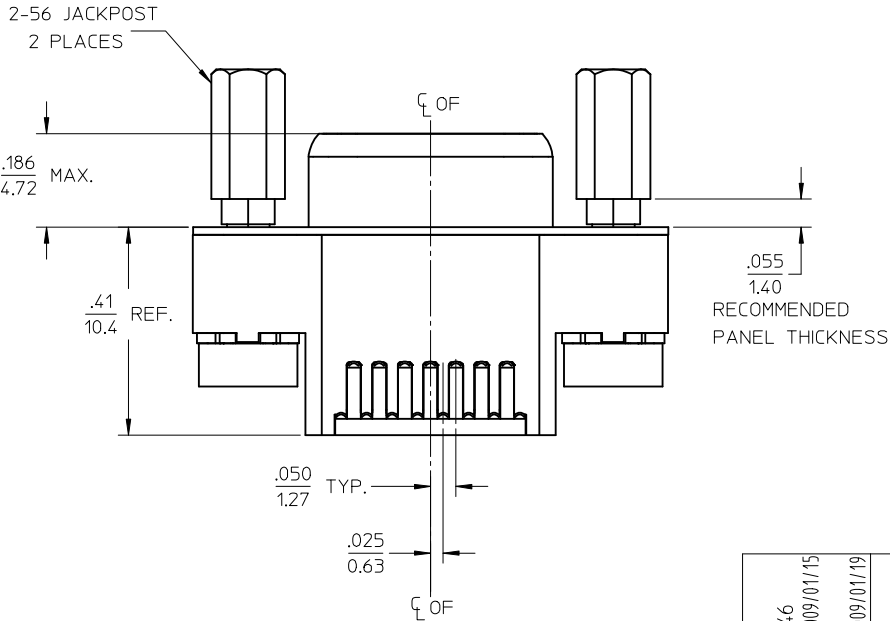
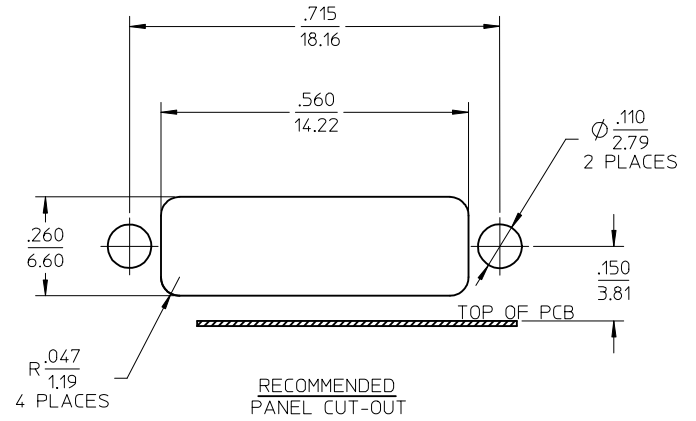
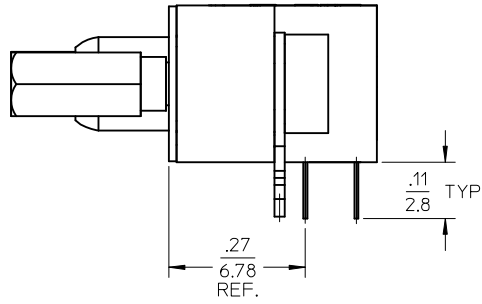
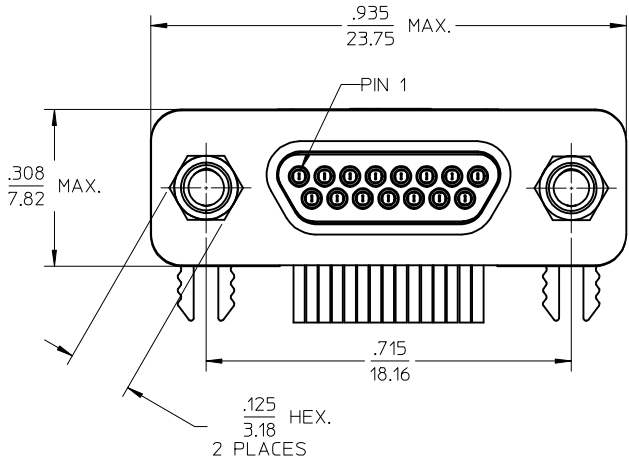




THE DATASHEET OF
836129020



| | | | | | | | | | |
|--------------|------------|---|---|---|---|---|---|---|---|
| 10 | 9 | 8 | 7 | 6 | 5 | 4 | 3 | 2 | 1 |
| MATERIAL NO. | ENG. NO. | | | | | | | | |
| 836129020 | 83612-9020 | | | | | | | | |

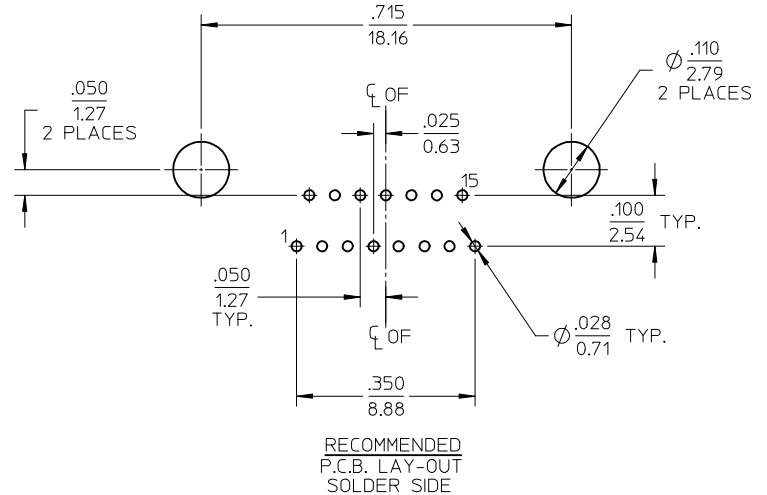
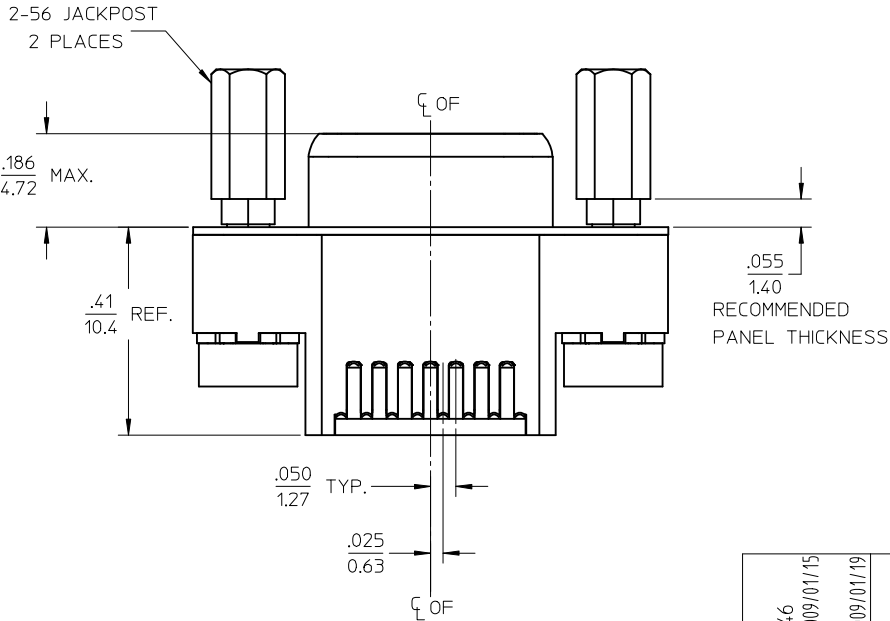
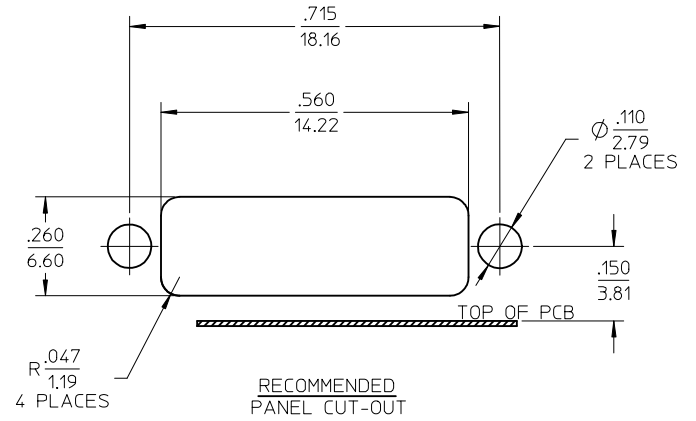
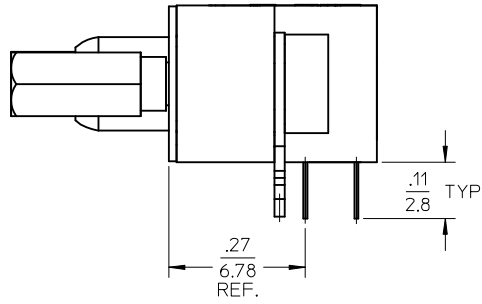
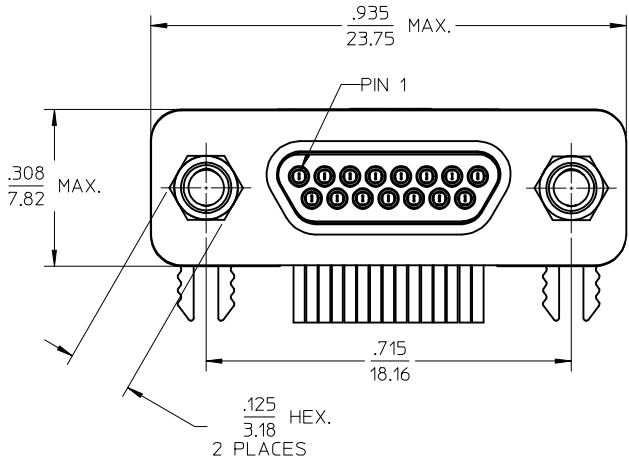


SALES DRAWING

NOTE:
 1. REFER TO PS-83421-9000 FOR PRODUCT SPECIFICATION.
 2. RoHS COMPLIANT

| | | | | | | | | | |
|---|--|---------------------------------------|---|-----------------|--------------|---|--------------|------------------------|--|
| REDRAWN EC NO: WNA2008-0146 DRWN: RUPERT 2009/01/15 CHKD: APPR: JF MURPHY 2009/01/19 | QUALITY SYMBOLS | GENERAL TOLERANCES (UNLESS SPECIFIED) | | DIMENSION STYLE | | SCALE | DESIGN UNITS | THIRD ANGLE PROJECTION | |
| | $\nabla=0$ $\square=0$ | mm | INCH | IN/MM | | 4:1 | INCH | | |
| | | 4 PLACES ± --- | ± --- | DRAWN BY | DATE | TITLE | | | |
| | | 3 PLACES ± --- | ± .005 | JLOMASTR | 04/09/20 | CONNECTOR COMMERCIAL MICRO D R/A SIZE 15 | | | |
| | 2 PLACES ± 0.13 | ± .01 | CHECKED BY | DATE | | | | | |
| | 1 PLACE ± 0.25 | ± --- | RDEROSS | 04/09/27 | | | | | |
| | ANGULAR ± 1 ° | | APPROVED BY | DATE | | | | | |
| | | | RDEROSS | 04/09/28 | | | | | |
| | DRAFT WHERE APPLICABLE MUST REMAIN WITHIN DIMENSIONS | | MATERIAL NO. | | DOCUMENT NO. | | SHEET NO. | | |
| | | | SEE CHART | | SD-83612-002 | | 1 OF 1 | | |
| | | | THIS DRAWING CONTAINS INFORMATION THAT IS PROPRIETARY TO MOLEX INCORPORATED AND SHOULD NOT BE USED WITHOUT WRITTEN PERMISSION | | | | | | |

| | |
|--------------|------------|
| MATERIAL NO. | ENG. NO. |
| 836129020 | 83612-9020 |



SALES DRAWING

NOTE:
 1. REFER TO PS-83421-9000 FOR PRODUCT SPECIFICATION.
 2. RoHS COMPLIANT

| | | | | | | | | |
|---|-----------------|---------------------------------------|--------|--|------------------------|---|----------------------|---|
| REDRAWN EC NO: WNA2008-0146 DRWN: RUPERT CHKD: APPR: JF MURPHY 2009/01/15 2009/01/19 | QUALITY SYMBOLS | GENERAL TOLERANCES (UNLESS SPECIFIED) | | DIMENSION STYLE IN/MM | | SCALE 4:1 | DESIGN UNITS INCH | THIRD ANGLE PROJECTION |
| | ▽=0 | 4 PLACES ± --- | ± --- | mm | INCH | DRAWN BY JLOMASTR | DATE 04/09/20 | TITLE CONNECTOR COMMERCIAL MICRO D R/A SIZE 15 |
| | ⊕=0 | 3 PLACES ± --- | ± .005 | | | CHECKED BY RDEROSS | DATE 04/09/27 | MOLEX INCORPORATED DOCUMENT NO. SD-83612-002 SHEET NO. 1 OF 1 |
| | | 2 PLACES ± 0.13 | ± .01 | | | APPROVED BY RDEROSS | DATE 04/09/28 | |
| | 1 PLACE ± 0.25 | ± --- | | | MATERIAL NO. SEE CHART | | | |
| | | ANGULAR ± 1 ° | | DRAFT WHERE APPLICABLE MUST REMAIN WITHIN DIMENSIONS | | THIS DRAWING CONTAINS INFORMATION THAT IS PROPRIETARY TO MOLEX INCORPORATED AND SHOULD NOT BE USED WITHOUT WRITTEN PERMISSION | | |

Looking for pricing, stock, or lifecycle information?

Click below to explore more details on WIN SOURCE:

 [View 836129020 on WIN SOURCE](#)

 [Molex, LLC Information](#)

Optimize Your Supply Chain with WIN SOURCE Solutions

-  Global Sourcing Solution
-  Obsolete Management
-  Cost Control Management
-  Shortage Management
-  Alternative Solution
-  Excess Inventory Management