



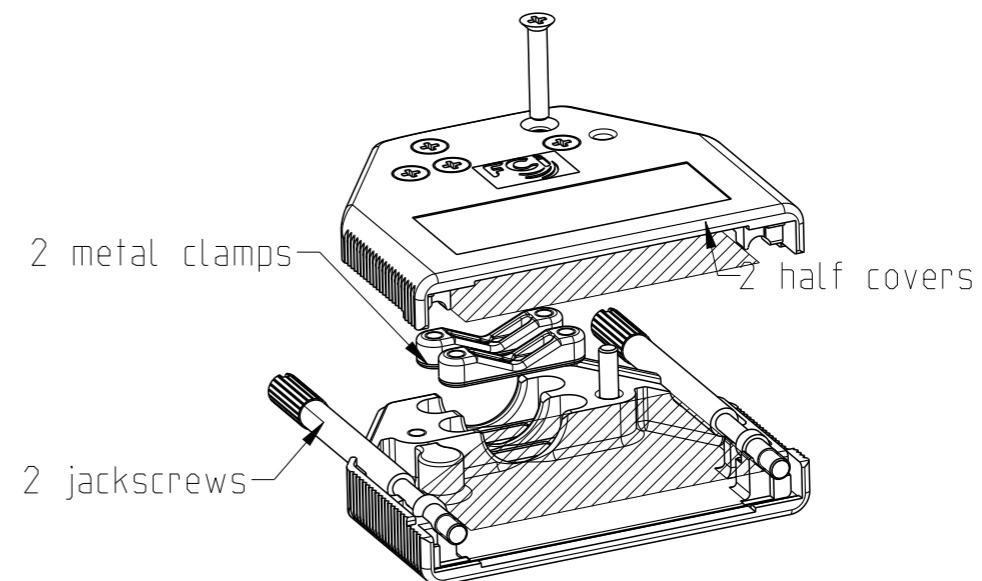
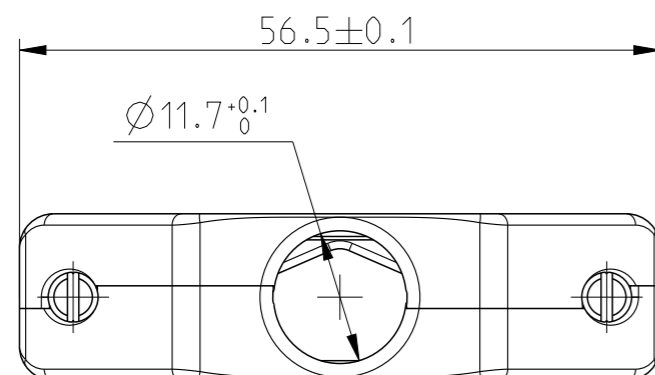
THE DATASHEET OF
8655MH0901LF



SIZE	Part Number	Jack Screw Thread	Packing
25	8655MH2501LF	UNC 4-40	bulk : Qty 60
	8655MH2511LF		individual set 50 sets/carton
	8655MH2502LF	M3	bulk : Qty 60
	8655MH2512LF		individual set 50 sets/carton

NOTE:RoHS INFORMATIONS

-The LF product meets European union Directives and other country regulations as described in GS-22-009
 -The product is not intended to be exposed to a manufacturing solder process
 -Packaging spec:see GS-14-920

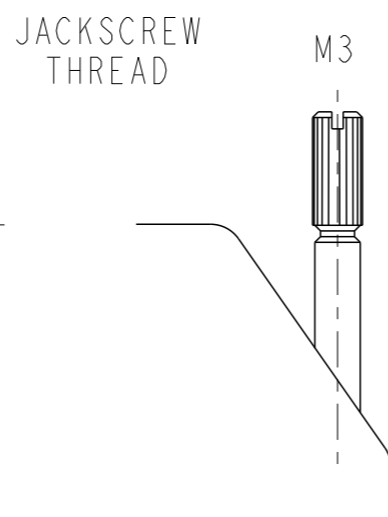
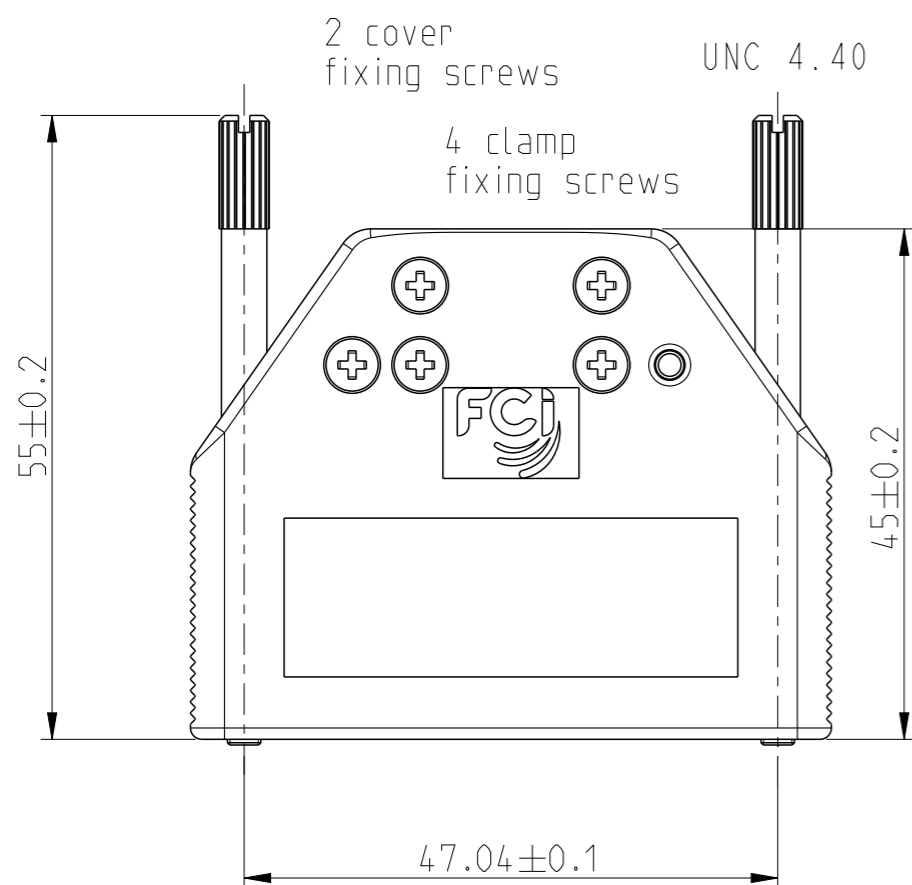


SCALE 1:1

NOTES : for every sizes

Material and finish : Zinc die-cast
 nickel plated
 Cable strain relief : Zinc die-cast
 Jackscrew : Brass, nickel plated
 UNC 4-40 or M3 (see tables)
 Temperature range : -55°C to +125°C
 Attenuation factor : >40 dB between 10 MHz

Other size details : see on next pages.



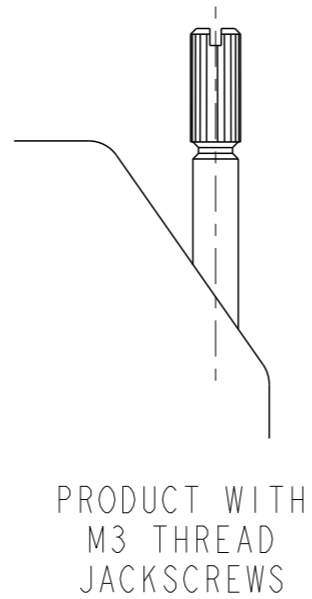
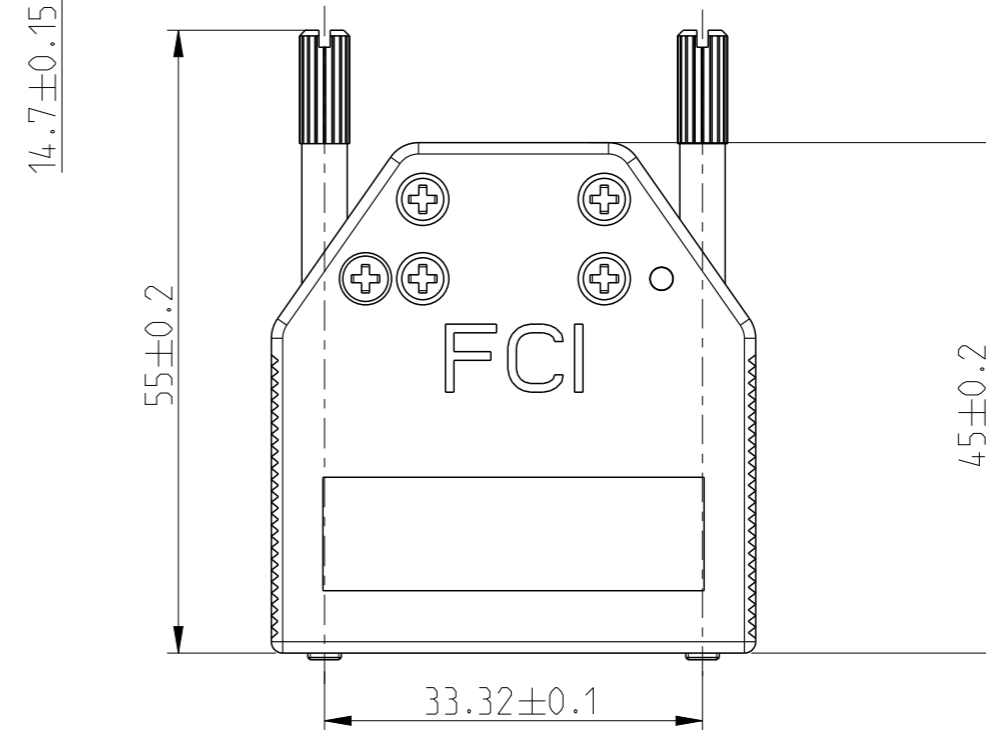
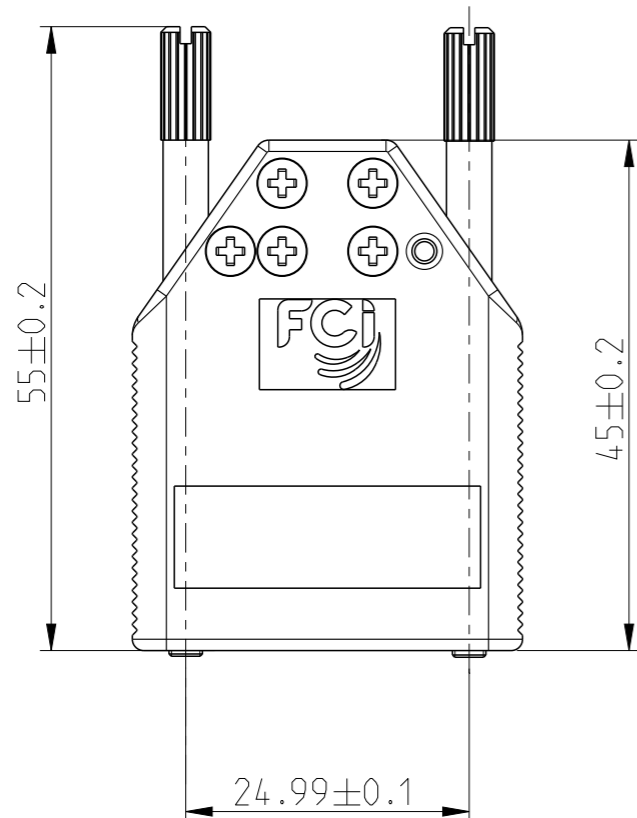
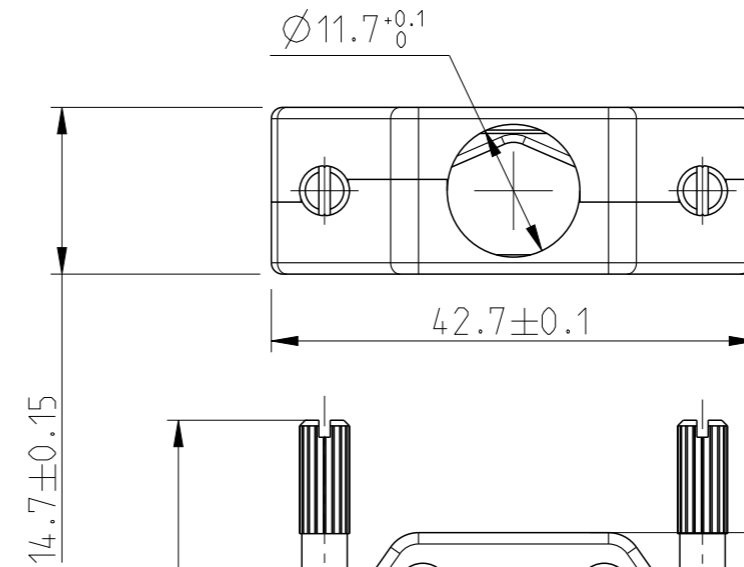
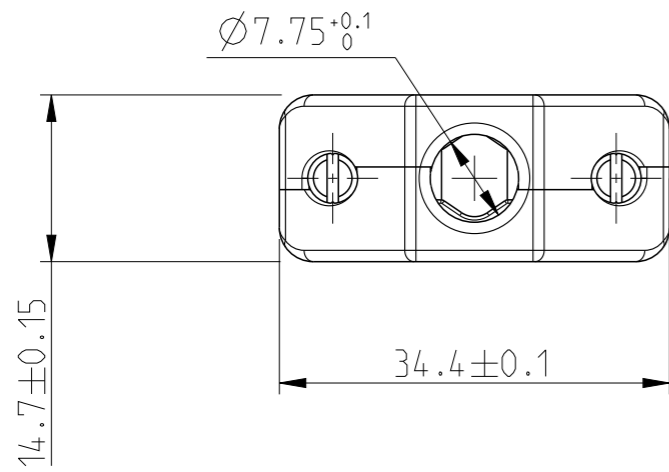
spec ref	dr	A Parrenin	2009/05/20	projection	mm	size	A3	scale	3:2
tolerance std	eng	J Dalibard	2015/09/10			ecn no	ELX-B-20414-1	rel level	Released
ISO 406 ISO 1101	chr	J Dalibard	2015/09/10						
surface	appr	Aymeric Soudy	2015/09/11			rel level	Released	dwg no	C-8655-1685C
ISO 1302	linear	0.X	±/	STRAIGHT METAL HOODS WITH 2 METAL CLAMPS		rev	D	cat. no.	-
	angular	0°	±/°	www.fci.com		Product - Customer Drw	sheet 1 of 4		



Copyright FCI.

SIZE	Part Number	Jack Screw Thread	Packing
09	8655MH0901LF	UNC 4-40	bulk : Qty 80
	8655MH0911LF		individual set 50 sets/carton
	8655MH0902LF	M3	bulk : Qty 80
	8655MH0912LF		individual set 50 sets/carton

SIZE	Part Number	Jack Screw Thread	Packing
15	8655MH1501LF	UNC 4-40	bulk : Qty 80
	8655MH1511LF		individual set 50 sets/carton
	8655MH1502LF	M3	bulk : Qty 80
	8655MH1512LF		individual set 50 sets/carton



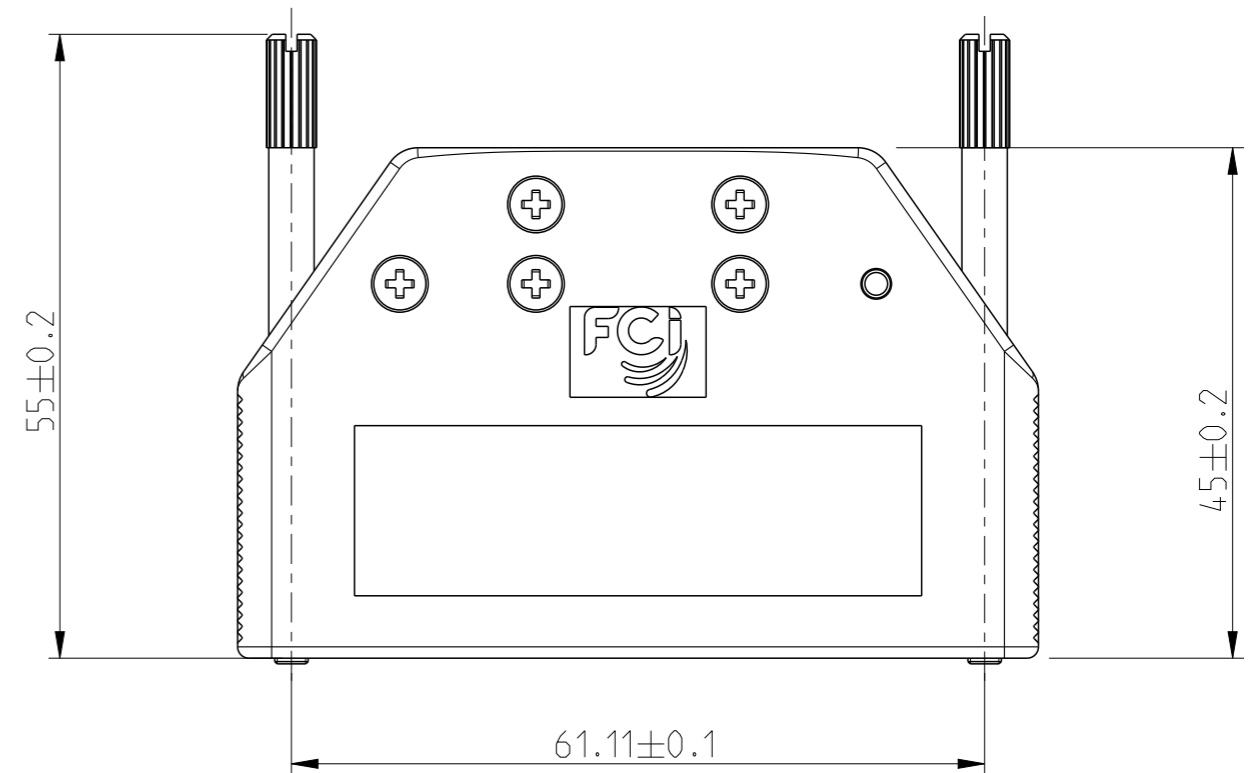
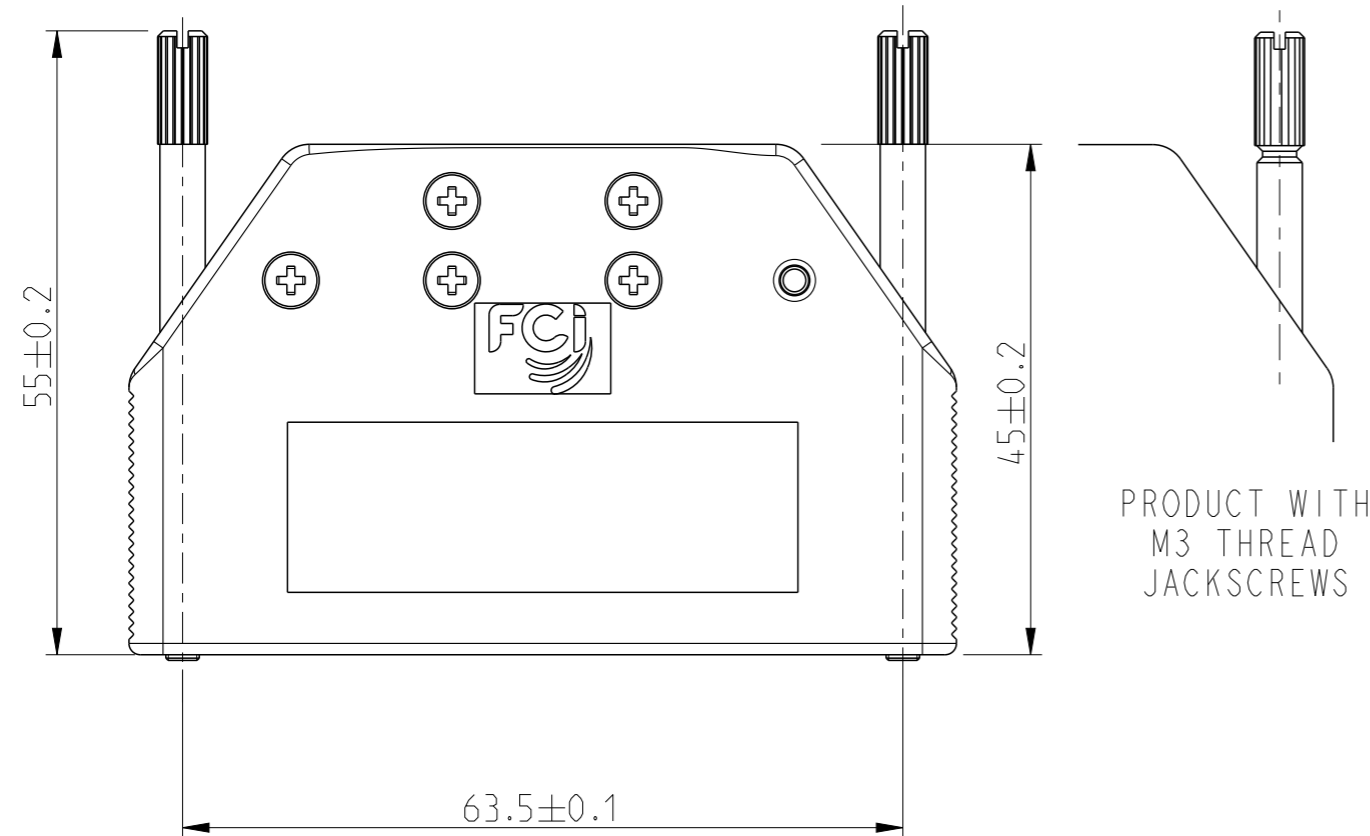
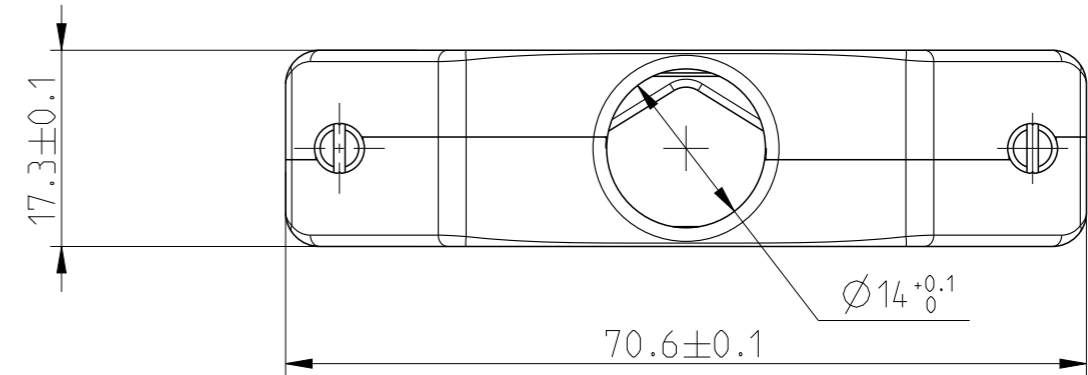
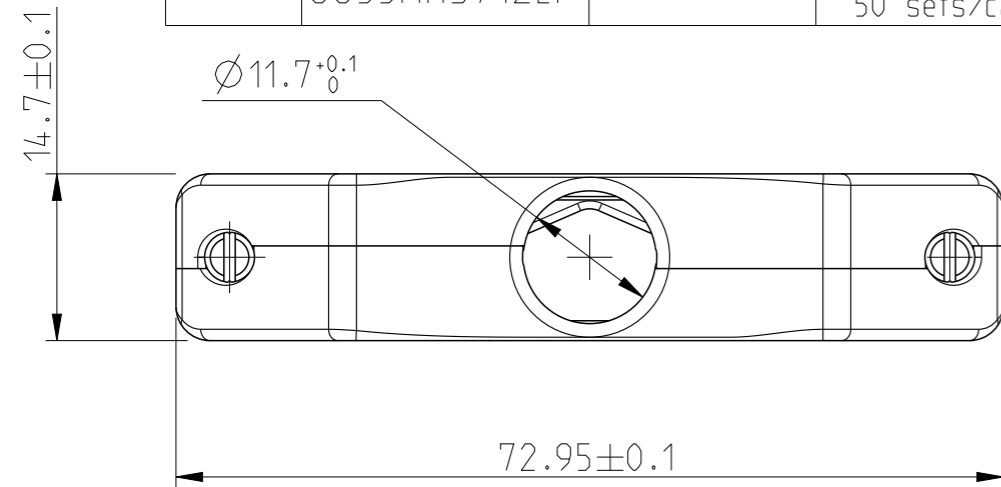
spec ref	dr	A Parrenin	2009/05/20	projection	mm	size	A3	scale	3:2
tolerance std	eng	J Dalibard	2015/09/10			ecn no	ELX-B-20414-1	rel level	Released
ISO 406 ISO 1101	chr	J Dalibard	2015/09/10						
surface	appr	Aymeric Soudy	2015/09/11			rel level	Released		rev
ISO 1302	linear	0.X	±/			rel level	Released		rev
	angular	0°	±/°			rel level	Released		rev
TOLERANCES UNLESS OTHERWISE SPECIFIED		www.fci.com		FCj title STRAIGHT METAL HOODS WITH 2 METAL CLAMPS		dwg no C-8655-1685C	cat. no. - Product - Customer Drw		sheet 2 of 4



Copyright FCI.

SIZE	Part Number	Jack Screw Thread	Packing
37	8655MH3701LF	UNC 4-40	bulk : Qty 40
	8655MH3711LF		individual set 50 sets/carton
	8655MH3702LF	M3	bulk : Qty 40
	8655MH3712LF		individual set 50 sets/carton

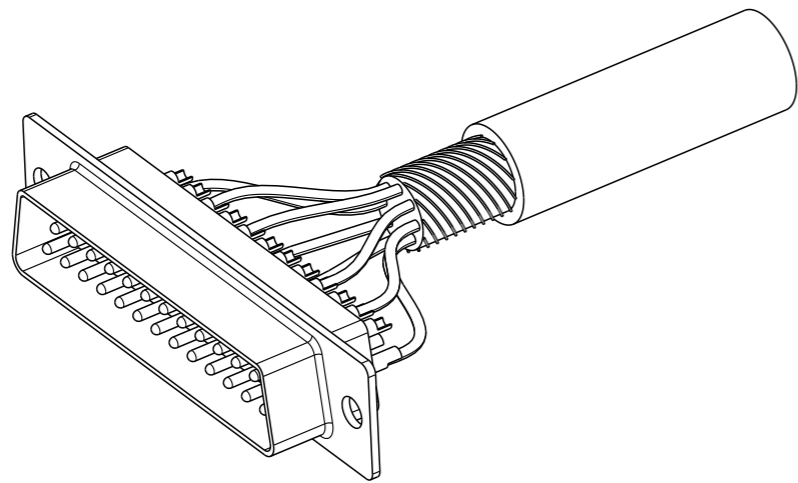
SIZE	Part Number	Jack Screw Thread	Packing
50	8655MH5001LF	UNC 4-40	bulk : Qty 40
	8655MH5011LF		individual set 50 sets/carton
	8655MH5002LF	M3	bulk : Qty 40
	8655MH5012LF		individual set 50 sets/carton



spec ref	dr	A Parrenin	2009/05/20	projection	mm	size	A3	scale	3:2										
tolerance std	eng	J Dalibard	2015/09/10			ecn no	ELX-B-20414-1	rel level	Released										
ISO 406 ISO 1101	chr	J Dalibard	2015/09/10							product family	-								
surface	appr	Aymeric Soudy	2015/09/11			dwg no	C-8655-1685C	rev	D										
ISO 1302	<table border="1"> <tr> <td>linear</td> <td>0.X</td> <td>±/</td> </tr> <tr> <td></td> <td>0.XX</td> <td>±/</td> </tr> <tr> <td></td> <td>0.XXX</td> <td>±/</td> </tr> <tr> <td>angular</td> <td>0°</td> <td>±/°</td> </tr> </table>		linear	0.X	±/		0.XX	±/		0.XXX	±/	angular	0°	±/°	www.fci.com	cat. no.	-	Product - Customer Drw	sheet 3 of 4
linear	0.X	±/																	
	0.XX	±/																	
	0.XXX	±/																	
angular	0°	±/°																	

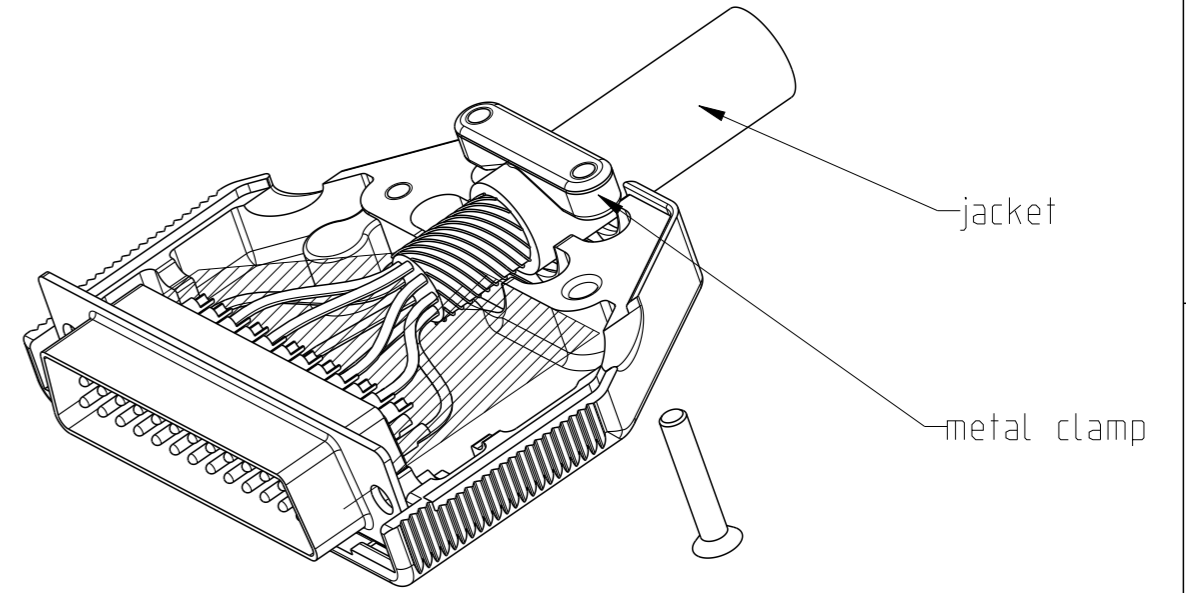
CABLING INSTRUCTIONS

1- Strip the cable and solder or crimp the wires



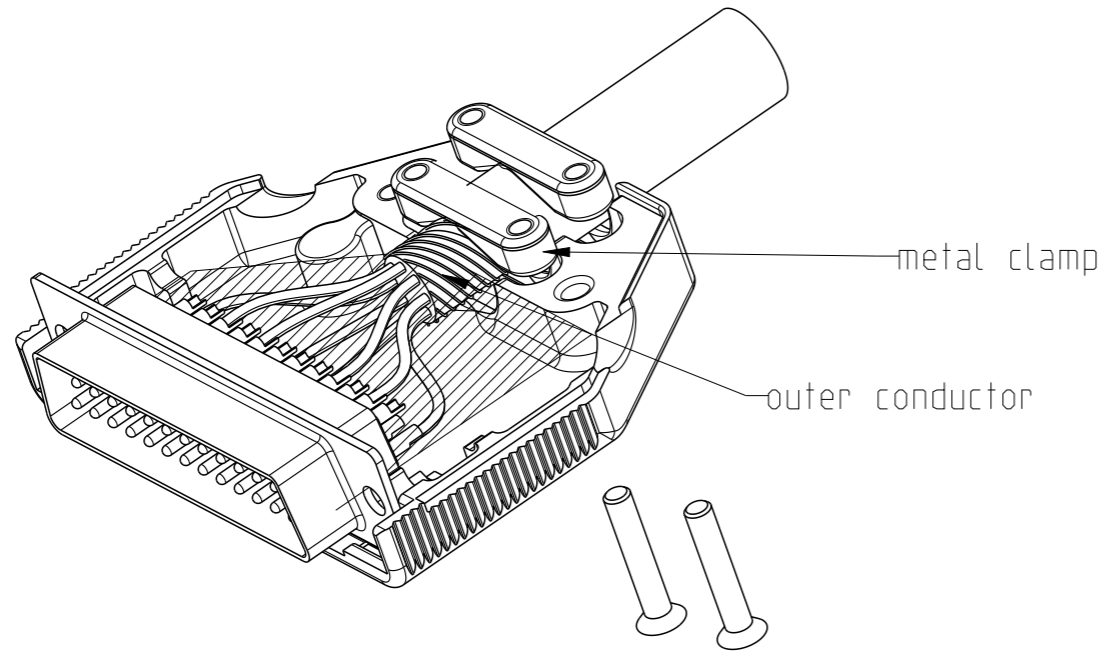
SCALE 3:2

2-Put the connector into a half hood and tighten the jacket with a metal clamp



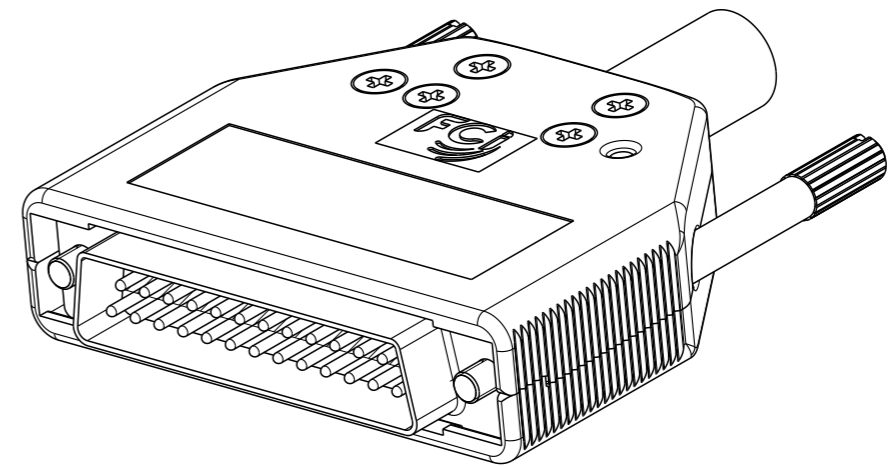
SCALE 3:2

3-To get the electrical continuity between the cable outer conductor and the hood tighten the outer conductor with the other metal clamp as shown



SCALE 3:2

4-Mount the jackscrews, the other half hood and tighten with 2 screws



Copyright FCI.

spec ref		dr	A Parrenin	2009/05/20	projection	mm	size	A3	scale	1:1
tolerance std		eng	J Dalibard	2015/09/10					ecn no	ELX-B-20414-1
ISO 406 ISO 1101		TOLERANCES UNLESS OTHERWISE SPECIFIED			product family	rel level			Released	
surface		linear	0.X	±/		title STRAIGHT METAL HOODS WITH 2 METAL CLAMPS	dwg no C-8655-1685C	rev D	ISO 1302	
			0.XX	±/					angular	0°

Looking for pricing, stock, or lifecycle information?

Click below to explore more details on WIN SOURCE:

 [View 8655MH0901LF on WIN SOURCE](#)

 [Amphenol FCI Information](#)

Optimize Your Supply Chain with WIN SOURCE Solutions

-  Global Sourcing Solution
-  Obsolete Management
-  Cost Control Management
-  Shortage Management
-  Alternative Solution
-  Excess Inventory Management