



**THE DATASHEET OF
8655MH3701BLF**



SIZE	Part Num.	Threading	HeadscREW	Packaging
25	8655MH2501BLF	UNC 4.40	Black	BULK (see note 1)
	8655MH2501BKLF	UNC 4.40	Black	KIT (see note 2)
	8655MH2502BLF	M3	Grey	BULK
	8655MH2502BKLF	M3	Grey	KIT

A

NOTES:

Material and finish:
 Cable strain relief: Po

Jackscrews:

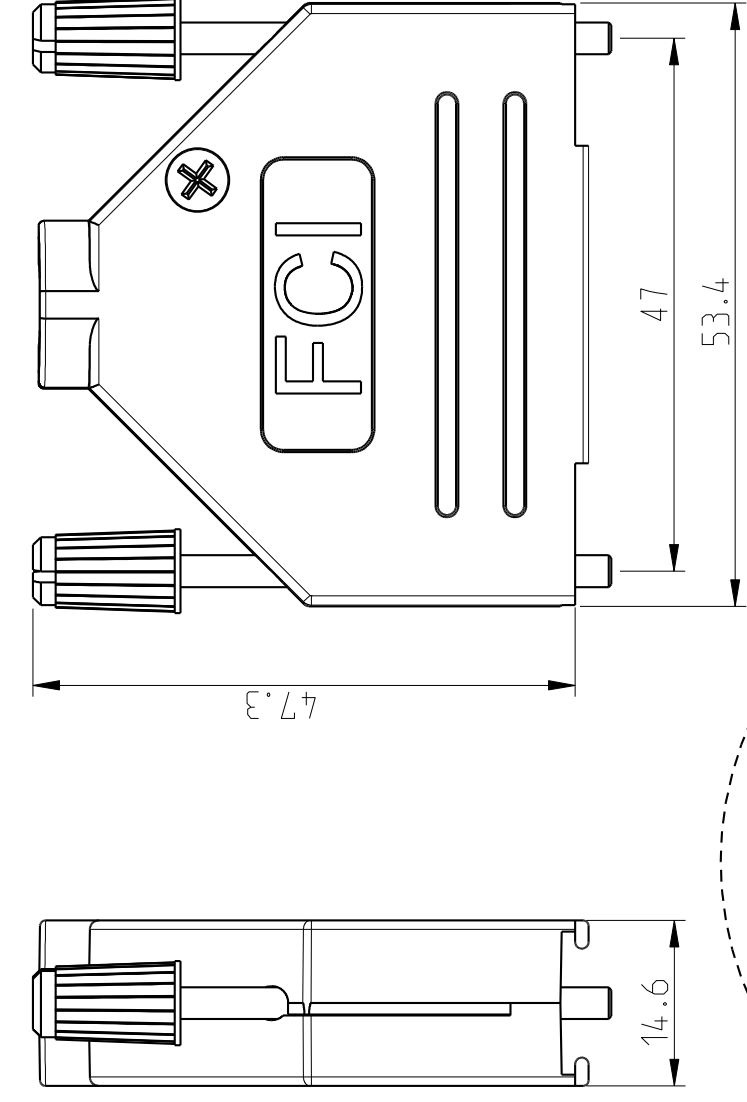
- Headscrew : plast
 - Body : metal, thre
- Temperature range:
 Cable diameter:
 Attenuation factor:
 Marking FCI logo:

Covers screwing force
Jackscrew screwing fo

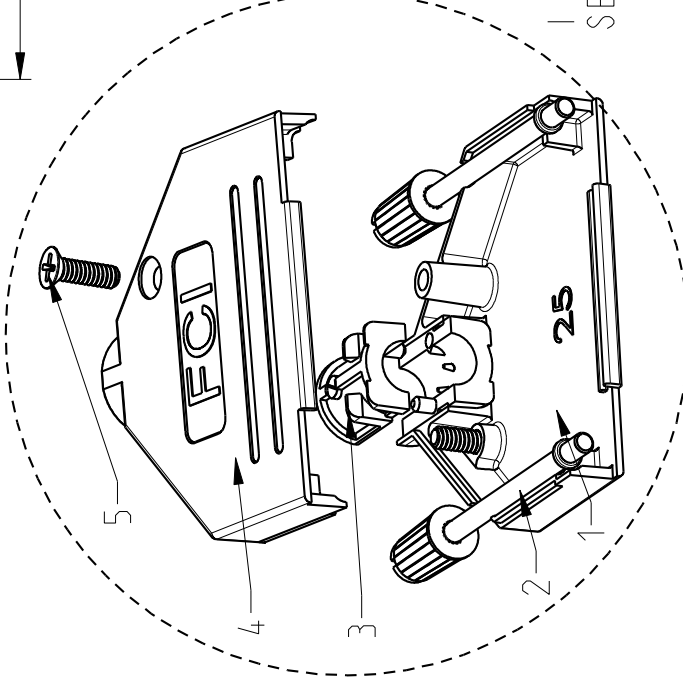
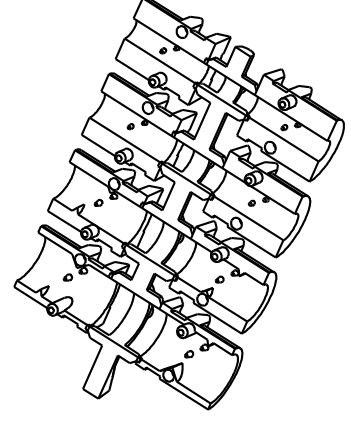
Packaging notes (see t

- 1 - Bulk : Every spare into 1 pla
- 2 - Kit : 1 set of spa into 100 p

B



C



1 KIT
 SEE NOTE 2

NOTE:RoHS INFORMATION
 -The "LF" product m and other country re GS-22-008.
 -The product is not manufacturing solde
 -Packaging spec: see

DESIGNATION	REP.	09	15	25	37
COVER BOTTOM	1			1	
JACKSCREW	2			2	
STRAIN RELIEF	3			2	
COVER TOP	4			1	
SCREW POZIDRIVE	5			2	

D

spec ref	tolerance std	surface	ISO 1302	angular	0°	±/°
GENERAL TOLERANCES: ISO 2768-m	ISO 406	ISO 1101	linear	0.X	±/	±/
			angular	0.XXX	±/	±/
				0°	±/°	±/°

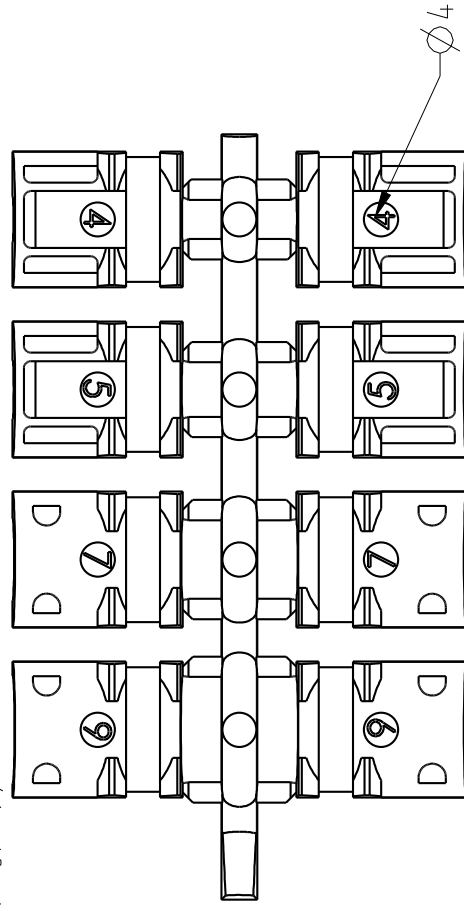
Creaf File - REV E - 2016-02-12

dr A Parrenin 2009/05/20
 eng D Detouillon 2017/01/16
 chr J Dalbard 2017/01/16
 oppr Ayméric Souday 2017/01/17

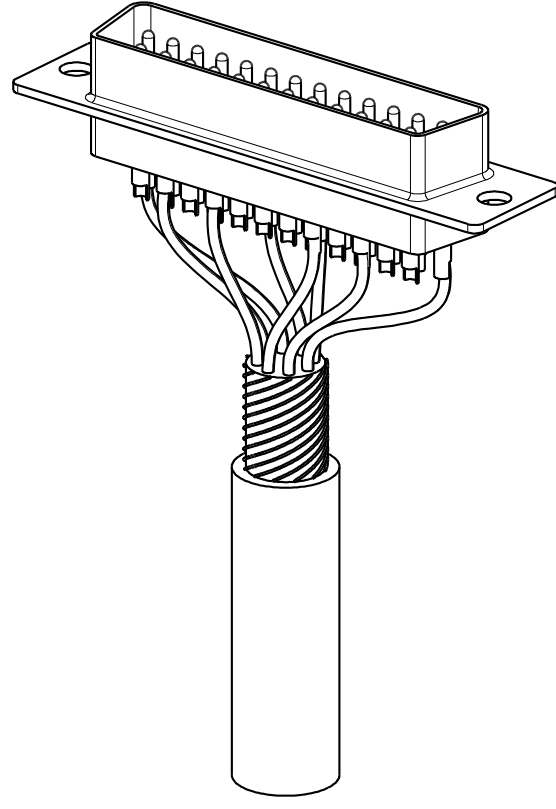
Amphenol FCI
 D - SUB METAL
 STRAIGHT
 www.fci.com cat. no.

CABLING INSTRUCTIONS FOR CABLE Ø 4, 5, 7 OR 9 MM

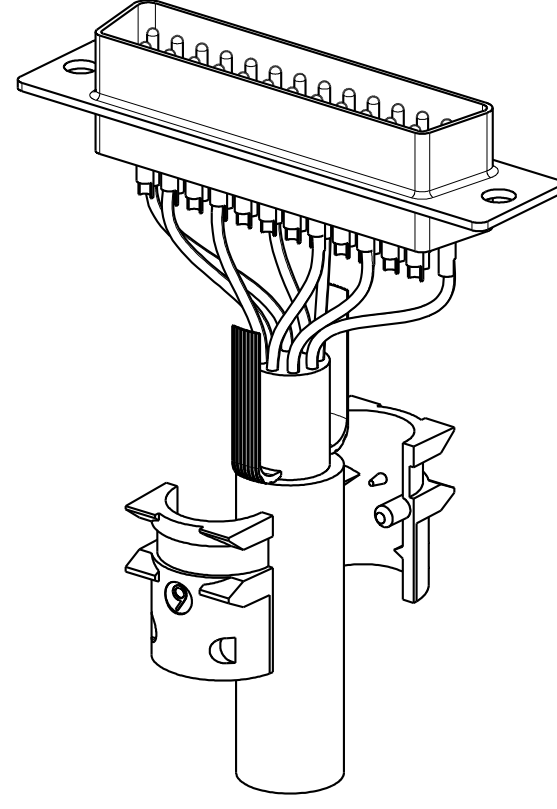
1- Use two halves of strain relief, different sizes can be mixed (Ø4,5,7 or 9)



2- Strip cable 18mm and shape to two pigtails

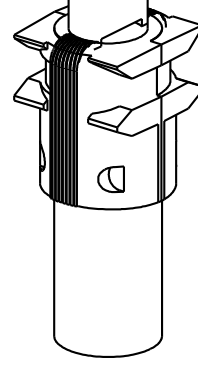


3- Attach the strain relief around the cable

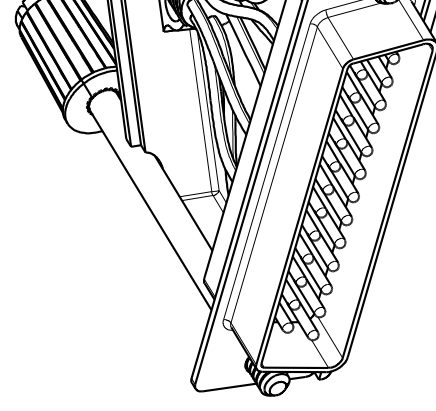


CABLING INSTRUCTIONS FOR CABLE Ø > 9 to 11 mm

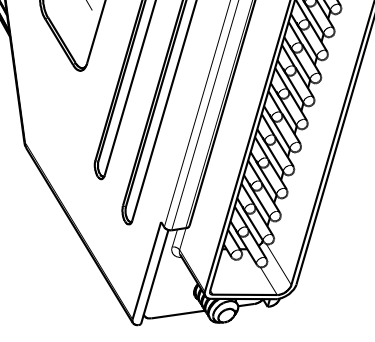
1- Use one half of strain relief, (Ø9).



5- Mount connector and ca



6- Assemble the other ha



spec ref	GENERAL TOLERANCES: ISO 2768-m		dr	A Parrenin	2009/05/20
tolerance std	ISO 406	linear	eng	D Detouillon	2017/01/16
	ISO 1101	0.X ±/	chr	J Dalbard	2017/01/16
surface	✓	0.XX ±/	oppr	Ayméric Souday	2017/01/17
ISO 1302	angular	0.XXX ±/			
		0° ±/°			

Amphenol FCI	D - SUB METAL
www.fci.com	STRAIGHT
	cat. no.

Looking for pricing, stock, or lifecycle information?

Click below to explore more details on WIN SOURCE:

[View 8655MH3701BLF on WIN SOURCE](#)

[Amphenol FCI Information](#)

Optimize Your Supply Chain with WIN SOURCE Solutions

- ✓ Global Sourcing Solution
- ✓ Obsolete Management
- ✓ Cost Control Management
- ✓ Shortage Management
- ✓ Alternative Solution
- ✓ Excess Inventory Management