

Four Output Differential Buffer for PCI-Express

Recommended Application:

DB400 Intel Yellow Cover part with PCI-Express support.

Output Features:

- 4 - 0.7V current-mode differential output pairs
- Supports zero delay buffer mode and fanout mode
- Bandwidth programming available

Key Specifications:

- Outputs cycle-cycle jitter: < 50ps
- Outputs skew: < 50ps
- +/- 300ppm frequency accuracy on output clocks

Features/Benefits:

- Supports tight ppm accuracy clocks for Serial-ATA
- Spread spectrum modulation tolerant, 0 to -0.5% down spread and +/- 0.25% center spread
- Supports undriven differential output pair in PD# and SRC_STOP# for power management.

Pin Configuration

| | | | |
|-------------|----|----|-----------|
| VDD | 1 | 28 | VDDA |
| SRC_IN | 2 | 27 | GND A |
| SRC_IN# | 3 | 26 | IREF |
| GND | 4 | 25 | GND |
| VDD | 5 | 24 | VDD |
| DIF_1 | 6 | 23 | DIF_6 |
| DIF_1# | 7 | 22 | DIF_6# |
| OE_1 | 8 | 21 | OE_6 |
| DIF_2 | 9 | 20 | DIF_5 |
| DIF_2# | 10 | 19 | DIF_5# |
| VDD | 11 | 18 | VDD |
| BYPASS#/PLL | 12 | 17 | HIGH_BW# |
| SCLK | 13 | 16 | SRC_STOP# |
| SDATA | 14 | 15 | PD# |

28-pin SSOP & TSSOP

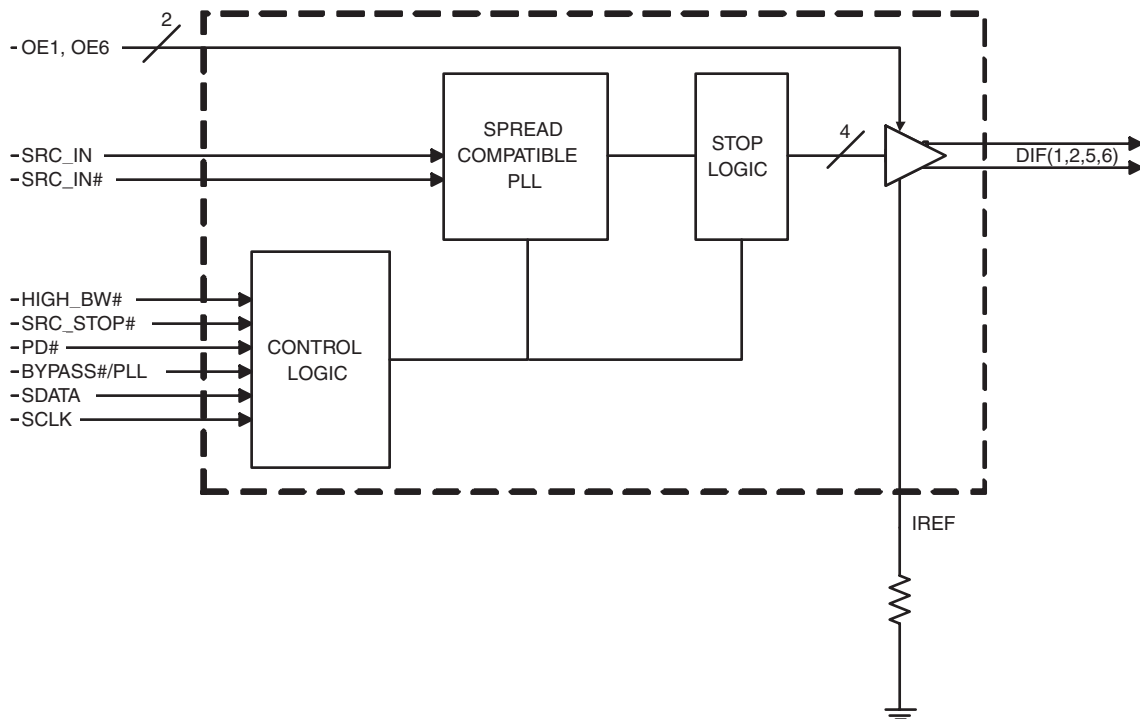
Pin Description

| PIN # | PIN NAME | PIN TYPE | DESCRIPTION |
|-------|-------------|----------|---|
| 1 | VDD | PWR | Power supply, nominal 3.3V |
| 2 | SRC_IN | IN | 0.7 V Differential SRC TRUE input |
| 3 | SRC_IN# | IN | 0.7 V Differential SRC COMPLEMENTARY input |
| 4 | GND | PWR | Ground pin. |
| 5 | VDD | PWR | Power supply, nominal 3.3V |
| 6 | DIF_1 | OUT | 0.7V differential true clock outputs |
| 7 | DIF_1# | OUT | 0.7V differential complement clock outputs |
| 8 | OE_1 | IN | Active high input for enabling outputs. 0 = tri-state outputs, 1= enable outputs |
| 9 | DIF_2 | OUT | 0.7V differential true clock outputs |
| 10 | DIF_2# | OUT | 0.7V differential complement clock outputs |
| 11 | VDD | PWR | Power supply, nominal 3.3V |
| 12 | BYPASS#/PLL | IN | Input to select Bypass(fan-out) or PLL (ZDB) mode 0 = Bypass mode, 1= PLL mode |
| 13 | SCLK | IN | Clock pin of SMBus circuitry, 5V tolerant. |
| 14 | SDATA | I/O | Data pin for SMBus circuitry, 5V tolerant. |
| 15 | PD# | IN | Asynchronous active low input pin used to power down the device. The internal clocks are disabled and the VCO and the crystal are stopped. |
| 16 | SRC_STOP# | IN | Active low input to stop diff outputs. |
| 17 | HIGH_BW# | IN | 3.3V input for selecting PLL Band Width 0 = High, 1= Low |
| 18 | VDD | PWR | Power supply, nominal 3.3V |
| 19 | DIF_5# | OUT | 0.7V differential complement clock outputs |
| 20 | DIF_5 | OUT | 0.7V differential true clock outputs |
| 21 | OE_6 | IN | Active high input for enabling outputs. 0 = tri-state outputs, 1= enable outputs |
| 22 | DIF_6# | OUT | 0.7V differential complement clock outputs |
| 23 | DIF_6 | OUT | 0.7V differential true clock outputs |
| 24 | VDD | PWR | Power supply, nominal 3.3V |
| 25 | GND | PWR | Ground pin. |
| 26 | IREF | OUT | This pin establishes the reference current for the differential current-mode output pairs. This pin requires a fixed precision resistor tied to ground in order to establish the appropriate current. 475 ohms is the standard value. |
| 27 | GNDA | PWR | Ground pin for the PLL core. |
| 28 | VDDA | PWR | 3.3V power for the PLL core. |

General Description

ICS9DB104 follows the Intel DB400 Differential Buffer Specification. This buffer provides four SRC clocks for PCI-Express, next generation I/O devices. **ICS9DB104** is driven by a differential input pair from a CK409/CK410 main clock generator, such as the ICS952601 or ICS954101. **ICS9DB104** can run at speeds up to 200MHz. It provides outputs meeting tight cycle-to-cycle jitter (50ps) and output-to-output skew (50ps) requirements.

Block Diagram



Power Groups

| Pin Number | | Description |
|------------|------|-------------------------------|
| VDD | GND | |
| 1 | 4 | SRC_IN/SRC_IN# |
| 5,11,18,24 | 4,25 | DIF Outputs |
| 28 | 27 | IREF |
| 28 | 27 | Analog VDD & GND for PLL core |

Absolute Max

| Symbol | Parameter | Min | Max | Units |
|----------------------|---------------------------------------|---------|-----------------------|-------|
| VDD_A | 3.3V Core Supply Voltage | | 4.6 | V |
| VDD_In | 3.3V Logic Supply Voltage | | 4.6 | V |
| V _{IL} | Input Low Voltage | GND-0.5 | | V |
| V _{IH} | Input High Voltage | | V _{DD} +0.5V | V |
| T _s | Storage Temperature | -65 | 150 | °C |
| T _{ambient} | Ambient Operating Temp | 0 | 70 | °C |
| T _{case} | Case Temperature | | 115 | °C |
| ESD prot | Input ESD protection human body model | 2000 | | V |

Electrical Characteristics - Input/Supply/Common Output Parameters

T_A = 0 - 70°C; Supply Voltage V_{DD} = 3.3 V +/-5%

| PARAMETER | SYMBOL | CONDITIONS | MIN | TYP | MAX | UNITS | NOTES |
|----------------------------------|----------------------|---|-----------|--------------------|-----------------------|-------|-------|
| Input High Voltage | V _{IH} | 3.3 V +/-5% | 2 | | V _{DD} + 0.3 | V | |
| Input Low Voltage | V _{IL} | 3.3 V +/-5% | GND - 0.3 | | 0.8 | V | |
| Input High Current | I _{IH} | V _{IN} = V _{DD} | -5 | | 5 | uA | |
| Input Low Current | I _{IL1} | V _{IN} = 0 V; Inputs with no pull-up resistors | -5 | | | uA | |
| | I _{IL2} | V _{IN} = 0 V; Inputs with pull-up resistors | -200 | | | uA | |
| Operating Supply Current | I _{DD3.3OP} | Full Active, C _L = Full load; | | | 200 | mA | |
| Powerdown Current | I _{DD3.3PD} | all diff pairs driven | | | 40 | mA | |
| | | all differential pairs tri-stated | | | 12 | mA | |
| Input Frequency ³ | F _i | V _{DD} = 3.3 V | 80 | 100/133 166/200 | 220 | MHz | 3 |
| Pin Inductance ¹ | L _{pin} | | | | 7 | nH | 1 |
| Input Capacitance ¹ | C _{IN} | Logic Inputs | 1.5 | | 5 | pF | 1 |
| | C _{OUT} | Output pin capacitance | | | 6 | pF | 1 |
| PLL Bandwidth | BW | PLL Bandwidth when PLL_BW=0 | | 4 | | MHz | 1 |
| | | PLL Bandwidth when PLL_BW=1 | | 2 | | MHz | 1 |
| Clk Stabilization ^{1,2} | T _{STAB} | From V _{DD} Power-Up and after input clock stabilization or de-assertion of PD# to 1st clock | | | 1 | ms | 1,2 |
| Modulation Frequency | | Triangular Modulation | 30 | | 33 | kHz | 1 |
| Tdrive_SRC_STOP# | | DIF output enable after SRC_Stop# de-assertion | | | 10 | ns | 1,3 |
| Tdrive_PD# | | DIF output enable after PD# de-assertion | | | 300 | us | 1,3 |
| Tfall | | Fall time of PD# and SRC_STOP# | | | 5 | ns | 1 |
| Trise | | Rise time of PD# and SRC_STOP# | | | 5 | ns | 2 |

¹Guaranteed by design and characterization, not 100% tested in production.

²See timing diagrams for timing requirements.

³Time from deassertion until outputs are >200 mV

Electrical Characteristics - DIF 0.7V Current Mode Differential Pair

$T_A = 0 - 70^\circ\text{C}$; $V_{DD} = 3.3\text{ V} \pm 5\%$; $C_L = 2\text{pF}$, $R_S = 33.2\Omega$, $R_P = 49.9\Omega$, $I_{REF} = 475\mu\text{A}$

| PARAMETER | SYMBOL | CONDITIONS | MIN | TYP | MAX | UNITS | NOTES |
|---------------------------------|---------------------|--|--------|-----|---------|----------|-------|
| Current Source Output Impedance | Z_o^1 | $V_O = V_x$ | 3000 | | | Ω | 1 |
| Voltage High | VHigh | Statistical measurement on single ended signal using oscilloscope math function. | 660 | | 850 | mV | 1,3 |
| Voltage Low | VLow | | -150 | | 150 | | 1,3 |
| Max Voltage | Vovs | Measurement on single ended signal using absolute value. | | | 1150 | mV | 1 |
| Min Voltage | Vuds | | -300 | | | | 1 |
| Crossing Voltage (abs) | Vcross(abs) | | 250 | | 550 | mV | 1 |
| Crossing Voltage (var) | d-Vcross | Variation of crossing over all edges | | | 140 | mV | 1 |
| Long Accuracy | ppm | see Tperiod min-max values | | | 0 | ppm | 1,2 |
| Average period | Tperiod | 200MHz nominal | 4.9985 | | 5.0015 | ns | 2 |
| | | 200MHz spread | 4.9985 | | 5.0266 | ns | 2 |
| | | 166.66MHz nominal | 5.9982 | | 6.0018 | ns | 2 |
| | | 166.66MHz spread | 5.9982 | | 6.0320 | ns | 2 |
| | | 133.33MHz nominal | 7.4978 | | 7.5023 | ns | 2 |
| | | 133.33MHz spread | 7.4978 | | 5.4000 | ns | 2 |
| | | 100.00MHz nominal | 9.9970 | | 10.0030 | ns | 2 |
| | | 100.00MHz spread | 9.9970 | | 10.0533 | ns | 2 |
| Absolute min period | T _{absmin} | 200MHz nominal | 4.8735 | | | ns | 1,2 |
| | | 166.66MHz nominal/spread | 5.8732 | | | ns | 1,2 |
| | | 133.33MHz nominal/spread | 7.3728 | | | ns | 1,2 |
| | | 100.00MHz nominal/spread | 9.8720 | | | ns | 1,2 |
| Rise Time | t_r | $V_{OL} = 0.175\text{V}$, $V_{OH} = 0.525\text{V}$ | 175 | | 700 | ps | 1 |
| Fall Time | t_f | $V_{OH} = 0.525\text{V}$, $V_{OL} = 0.175\text{V}$ | 175 | | 700 | ps | 1 |
| Rise Time Variation | d- t_r | | | | 125 | ps | 1 |
| Fall Time Variation | d- t_f | | | | 125 | ps | 1 |
| Duty Cycle | d_{i3} | Measurement from differential waveform | 45 | | 55 | % | 1 |
| Skew | t_{sk3} | $V_T = 50\%$ | | | 50 | ps | 1 |
| Jitter, Cycle to cycle | $t_{jyc-cyc}$ | PLL mode, Measurement from differential waveform | | | 50 | ps | 1 |
| | | BYPASS mode as additive jitter | | | 50 | ps | 1 |

¹Guaranteed by design and characterization, not 100% tested in production.

²All Long Term Accuracy and Clock Period specifications are guaranteed with the assumption that the input clock complies with CK409/CK410 accuracy requirements

³ $I_{REF} = V_{DD}/(3 \times R_R)$. For $R_R = 475\Omega$ (1%), $I_{REF} = 2.32\text{mA}$. $I_{OH} = 6 \times I_{REF}$ and $V_{OH} = 0.7\text{V}$ @ $Z_O = 50\Omega$.

General SMBus serial interface information for the ICS9DB104

How to Write:

- Controller (host) sends a start bit.
- Controller (host) sends the write address $DC_{(h)}$
- ICS clock will **acknowledge**
- Controller (host) sends the beginning byte location = N
- ICS clock will **acknowledge**
- Controller (host) sends the data byte count = X
- ICS clock will **acknowledge**
- Controller (host) starts sending **Byte N through Byte N + X - 1**
- ICS clock will **acknowledge** each byte **one at a time**
- Controller (host) sends a Stop bit

| Controller (Host) | | ICS (Slave/Receiver) |
|--------------------------|-----------|----------------------|
| T | starT bit | |
| Slave Address $DC_{(h)}$ | | |
| WR | WRite | |
| | | ACK |
| Beginning Byte = N | | |
| | | ACK |
| Data Byte Count = X | | |
| | | ACK |
| Beginning Byte N | | X Byte |
| ◊ | | |
| ◊ | | |
| ◊ | | |
| Byte N + X - 1 | | |
| | | ACK |
| P | stoP bit | |

How to Read:

- Controller (host) will send start bit.
- Controller (host) sends the write address $DC_{(h)}$
- ICS clock will **acknowledge**
- Controller (host) sends the beginning byte location = N
- ICS clock will **acknowledge**
- Controller (host) will send a separate start bit.
- Controller (host) sends the read address $DD_{(h)}$
- ICS clock will **acknowledge**
- ICS clock will send the data byte count = X
- ICS clock sends **Byte N + X - 1**
- ICS clock sends **Byte 0 through byte X (if $X_{(h)}$ was written to byte 8).**
- Controller (host) will need to acknowledge each byte
- Controller (host) will send a not acknowledge bit
- Controller (host) will send a stop bit

| Controller (Host) | | ICS (Slave/Receiver) |
|--------------------------|-----------------|----------------------|
| T | starT bit | |
| Slave Address $DC_{(h)}$ | | |
| WR | WRite | |
| | | ACK |
| Beginning Byte = N | | |
| | | ACK |
| RT | Repeat starT | |
| Slave Address $DD_{(h)}$ | | |
| RD | ReaD | |
| | | ACK |
| | | Data Byte Count = X |
| ACK | | X Byte |
| ACK | | |
| ◊ | | |
| ◊ | | |
| ◊ | | |
| | | Byte N + X - 1 |
| N | Not acknowledge | |
| P | stoP bit | |



SMBus Table: Frequency Select Register, READ/WRITE ADDRESS (DC/DD)

| Byte 0 | | Pin # | Name | Control Function | Type | 0 | 1 | PWD |
|--------|---|-------|-----------------|------------------|------|----------|--------|-----|
| Bit 7 | - | | PD# drive mode | | RW | driven | Hi-Z | 0 |
| Bit 6 | - | | SRC Stop# drive | | RW | driven | Hi-Z | 0 |
| Bit 5 | - | | Reserved | | RW | Reserved | | X |
| Bit 4 | - | | Reserved | | RW | Reserved | | X |
| Bit 3 | - | | Reserved | | RW | Reserved | | X |
| Bit 2 | - | | PLL_BW# adjust | | RW | High BW | Low BW | 1 |
| Bit 1 | - | | BYPASS#/PLL | | RW | fan-out | ZDB | 1 |
| Bit 0 | - | | SRC_DIV# | | RW | div /2 | x1 | 1 |

SMBus Table: Output Control Register

| Byte 1 | | Pin # | Name | Control Function | Type | 0 | 1 | PWD |
|--------|-------|-------|----------|------------------|------|---|--------|-----|
| Bit 7 | - | | Reserved | | RW | User should write '0' to minimize power | | 1 |
| Bit 6 | 23,22 | | DIF_6 | Output Control | RW | Disable | Enable | 1 |
| Bit 5 | 20,19 | | DIF_5 | Output Control | RW | Disable | Enable | 1 |
| Bit 4 | - | | Reserved | | RW | User should write '0' to minimize power | | 1 |
| Bit 3 | - | | Reserved | | RW | User should write '0' to minimize power | | 1 |
| Bit 2 | 9,10 | | DIF_2 | Output Control | RW | Disable | Enable | 1 |
| Bit 1 | 6,7 | | DIF_1 | Output Control | RW | Disable | Enable | 1 |
| Bit 0 | - | | Reserved | | RW | User should write '0' to minimize power | | 1 |

SMBus Table: Output Control Register

| Byte 2 | | Pin # | Name | Control Function | Type | 0 | 1 | PWD |
|--------|-------|-------|----------|------------------|------|----------|-----------|-----|
| Bit 7 | - | | Reserved | | RW | Reserved | | 0 |
| Bit 6 | 23,22 | | DIF_6 | Output Control | RW | Free-run | Stoppable | 0 |
| Bit 5 | 20,19 | | DIF_5 | Output Control | RW | Free-run | Stoppable | 0 |
| Bit 4 | - | | Reserved | | RW | Reserved | | 0 |
| Bit 3 | - | | Reserved | | RW | Reserved | | 0 |
| Bit 2 | 9,10 | | DIF_2 | Output Control | RW | Free-run | Stoppable | 0 |
| Bit 1 | 6,7 | | DIF_1 | Output Control | RW | Free-run | Stoppable | 0 |
| Bit 0 | - | | Reserved | | RW | Reserved | | 0 |



SMBus Table: Output Control Register

| Byte 3 | Pin # | Name | Control Function | Type | 0 | 1 | PWD |
|--------|-------|------|------------------|------|----------|---|-----|
| Bit 7 | | | Reserved | RW | Reserved | | X |
| Bit 6 | | | Reserved | RW | Reserved | | X |
| Bit 5 | | | Reserved | RW | Reserved | | X |
| Bit 4 | | | Reserved | RW | Reserved | | X |
| Bit 3 | | | Reserved | RW | Reserved | | X |
| Bit 2 | | | Reserved | RW | Reserved | | X |
| Bit 1 | | | Reserved | RW | Reserved | | X |
| Bit 0 | | | Reserved | RW | Reserved | | X |

SMBus Table: Vendor & Revision ID Register

| Byte 4 | Pin # | Name | Control Function | Type | 0 | 1 | PWD |
|--------|-------|------|------------------|------|---|---|-----|
| Bit 7 | - | RID3 | REVISION ID | R | - | - | X |
| Bit 6 | - | RID2 | | R | - | - | X |
| Bit 5 | - | RID1 | | R | - | - | X |
| Bit 4 | - | RID0 | | R | - | - | X |
| Bit 3 | - | VID3 | VENDOR ID | R | - | - | 0 |
| Bit 2 | - | VID2 | | R | - | - | 0 |
| Bit 1 | - | VID1 | | R | - | - | 0 |
| Bit 0 | - | VID0 | | R | - | - | 1 |

SMBus Table: DEVICE ID

| Byte 5 | Pin # | Name | Control Function | Type | 0 | 1 | PWD |
|--------|-------|-------------------|------------------|------|----------|---|-----|
| Bit 7 | - | Device ID 7 (MSB) | | RW | Reserved | | 0 |
| Bit 6 | - | Device ID 6 | | RW | Reserved | | 0 |
| Bit 5 | - | Device ID 5 | | RW | Reserved | | 0 |
| Bit 4 | - | Device ID 4 | | RW | Reserved | | 0 |
| Bit 3 | - | Device ID 3 | | RW | Reserved | | 1 |
| Bit 2 | - | Device ID 2 | | RW | Reserved | | 0 |
| Bit 1 | - | Device ID 1 | | RW | Reserved | | 0 |
| Bit 0 | - | Device ID 0 | | RW | Reserved | | 0 |

SMBus Table: Byte Count Register

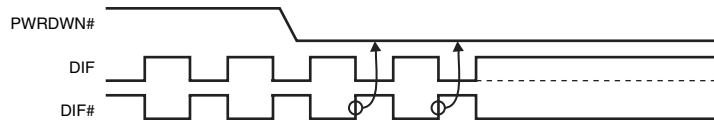
| Byte 6 | Pin # | Name | Control Function | Type | 0 | 1 | PWD |
|--------|-------|------|---|------|---|---|-----|
| Bit 7 | - | BC7 | Writing to this register configures how many bytes will be read back. | RW | - | - | 0 |
| Bit 6 | - | BC6 | | RW | - | - | 0 |
| Bit 5 | - | BC5 | | RW | - | - | 0 |
| Bit 4 | - | BC4 | | RW | - | - | 0 |
| Bit 3 | - | BC3 | | RW | - | - | 0 |
| Bit 2 | - | BC2 | | RW | - | - | 1 |
| Bit 1 | - | BC1 | | RW | - | - | 0 |
| Bit 0 | - | BC0 | | RW | - | - | 1 |

PD#

The PD# pin cleanly shuts off all clocks and places the device into a power saving mode. PD# must be asserted before shutting off the input clock or power to insure an orderly shutdown. PD is asynchronous active-low input for both powering down the device and powering up the device. When PD# is asserted, all clocks will be driven high, or tri-stated (depending on the PD# drive mode and Output control bits) before the PLL is shut down.

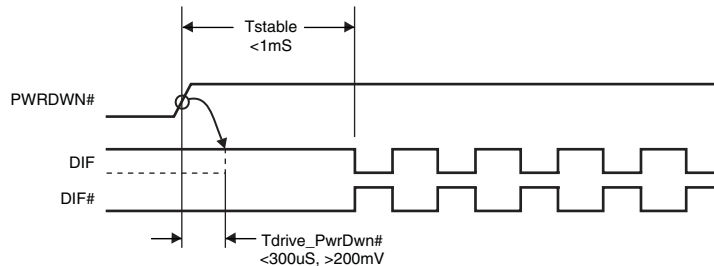
PD# Assertion

When PD# is sampled low by two consecutive rising edges of DIF#, all DIF outputs must be held High, or tri-stated (depending on the PD# drive mode and Output control bits) on the next High-Low transition of the DIF# outputs. When the PD# drive mode bit is set to '0', all clock outputs will be held with DIF driven High with $2 \times I_{REF}$ and DIF# tri-stated. If the PD# drive mode bit is set to '1', both DIF and DIF# are tri-stated.



PD# De-assertion

Power-up latency is less than 1 ms. This is the time from de-assertion of the PD# pin, or VDD reaching 3.3V, or the time from valid SRC_IN clocks until the time that stable clocks are output from the device (PLL Locked). If the PD# drive mode bit is set to '1', all the DIF outputs must driven to a voltage of >200 mV within 300 ms of PD# de-assertion.



SRC_STOP#

The SRC_STOP# signal is an active-low asynchronous input that cleanly stops and starts the DIF outputs. A valid clock must be present on SRC_IN for this input to work properly. The SRC_STOP# signal is de-bounced and must remain stable for two consecutive rising edges of DIF# to be recognized as a valid assertion or de-assertion.

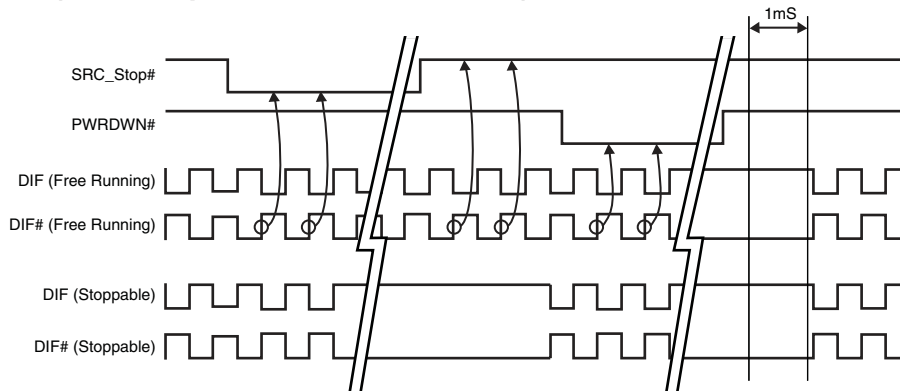
SRC_STOP# - Assertion (transition from '1' to '0')

Asserting SRC_STOP# causes all DIF outputs to stop after their next transition (if the control register settings allow the output to stop). When the SRC_STOP# drive bit is '0', the final state of all stopped DIF outputs is DIF = High and DIF# = Low. There is no change in output drive current. DIF is driven with $6 \times I_{REF}$. DIF# is not driven, but pulled low by the termination. When the SRC_STOP# drive bit is '1', the final state of all DIF output pins is Low. Both DIF and DIF# are not driven.

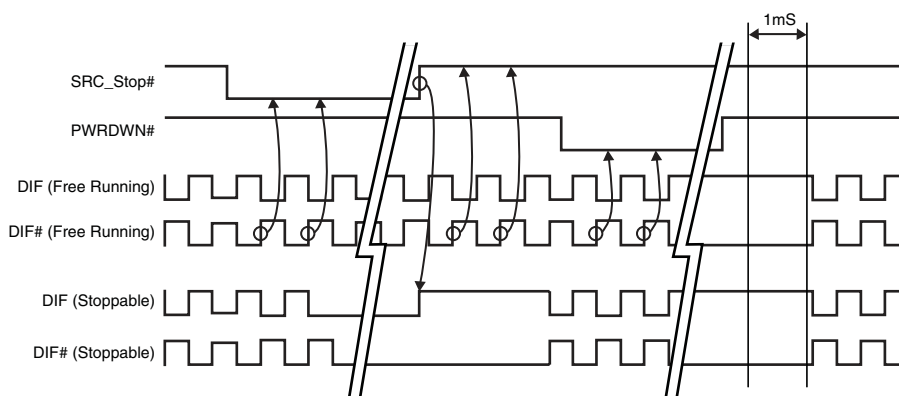
SRC_STOP# - De-assertion (transition from '0' to '1')

All stopped differential outputs resume normal operation in a glitch-free manner. The de-assertion latency to active outputs is 2-6 DIF clock periods, with all DIF outputs resuming simultaneously. If the SRC_STOP# drive control bit is '1' (tri-state), all stopped DIF outputs must be driven High (>200 mV) within 10 ns of de-assertion.

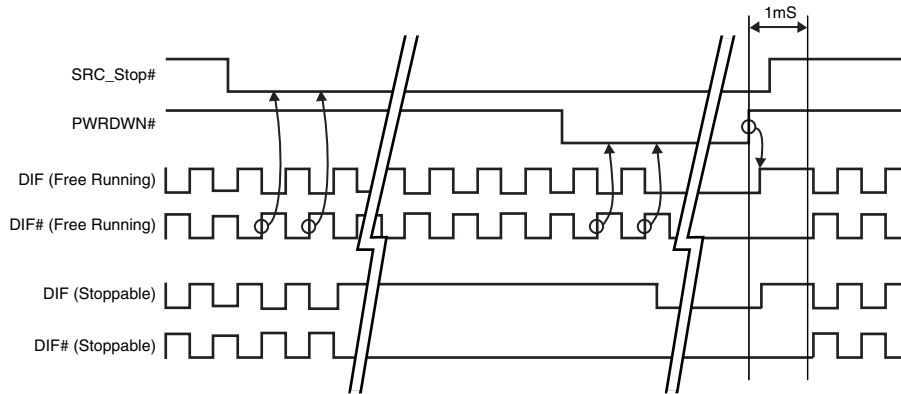
SRC_STOP_1 (SRC_Stop = Driven, PD = Driven)



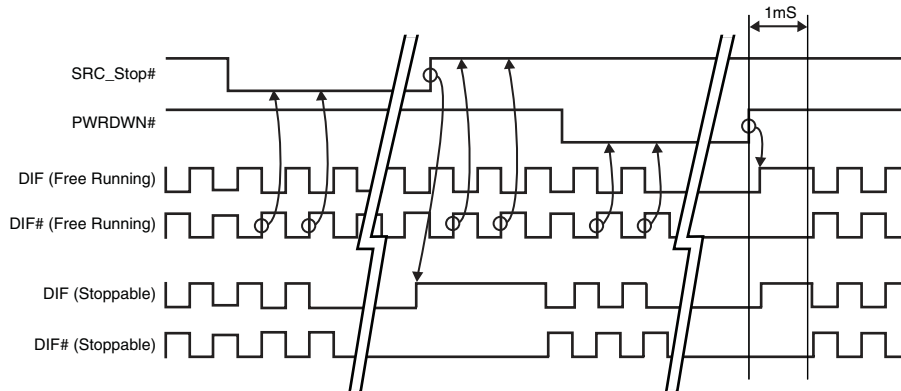
SRC_STOP_2 (SRC_Stop = Tri-state, PD = Driven)

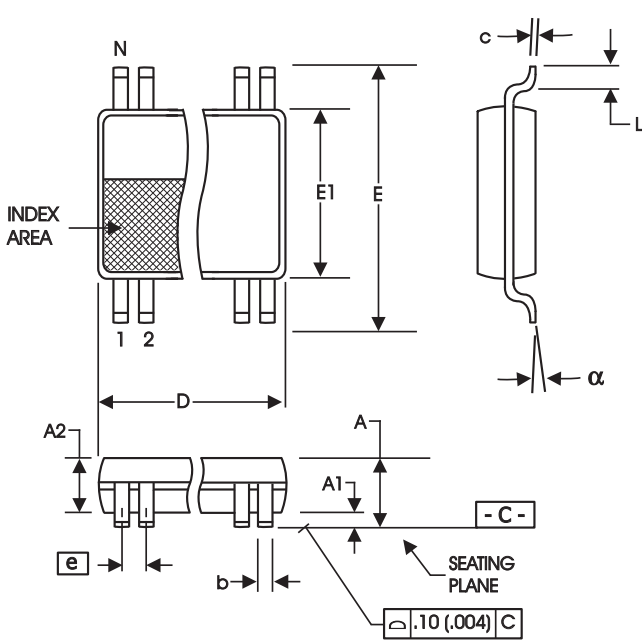


SRC_STOP_3 (SRC_Stop = Driven, PD = Tristate)



SRC_STOP_4 (SRC_Stop = Tristate, PD = Tristate)





209 mil SSOP

| SYMBOL | In Millimeters | | In Inches | |
|--------|-------------------|-------------------|-------------------|-------------------|
| | COMMON DIMENSIONS | COMMON DIMENSIONS | COMMON DIMENSIONS | COMMON DIMENSIONS |
| | MIN | MAX | MIN | MAX |
| A | -- | 2.00 | -- | .079 |
| A1 | 0.05 | -- | .002 | -- |
| A2 | 1.65 | 1.85 | .065 | .073 |
| b | 0.22 | 0.38 | .009 | .015 |
| c | 0.09 | 0.25 | .0035 | .010 |
| D | SEE VARIATIONS | | SEE VARIATIONS | |
| E | 7.40 | 8.20 | .291 | .323 |
| E1 | 5.00 | 5.60 | .197 | .220 |
| e | 0.65 BASIC | | 0.0256 BASIC | |
| L | 0.55 | 0.95 | .022 | .037 |
| N | SEE VARIATIONS | | SEE VARIATIONS | |
| α | 0° | 8° | 0° | 8° |

VARIATIONS

| N | D mm. | | D (inch) | |
|----|-------|-------|----------|------|
| | MIN | MAX | MIN | MAX |
| 28 | 9.90 | 10.50 | .390 | .413 |

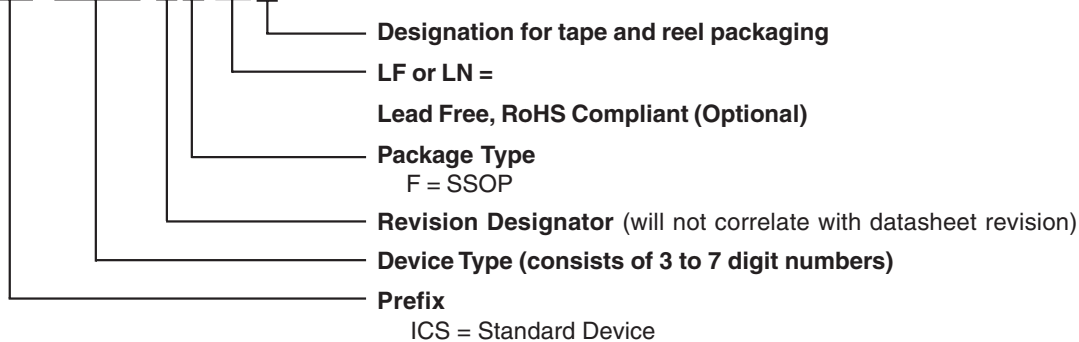
Reference Doc.: JEDEC Publication 95, MO-150
10-0033

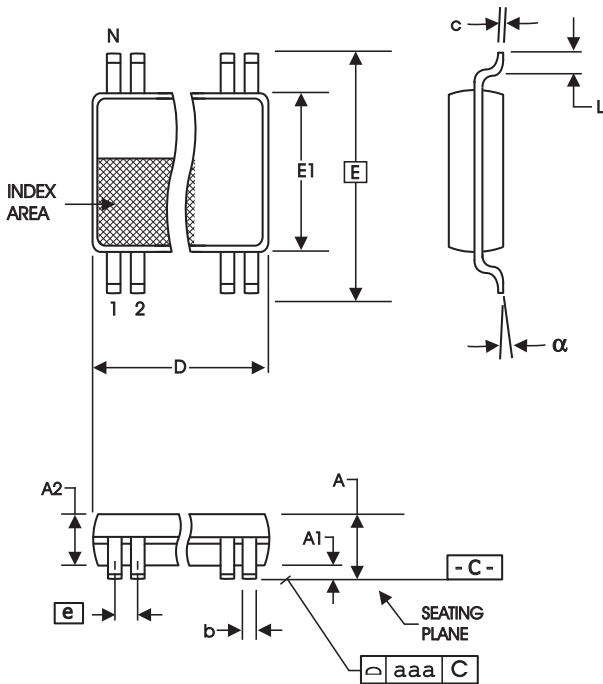
Ordering Information

ICS9DB104yFLxT

Example:

ICS XXXX y F Lx T





4.40 mm. Body, 0.65 mm. Pitch TSSOP
(173 mil) (25.6 mil)

| SYMBOL | In Millimeters COMMON DIMENSIONS | | In Inches COMMON DIMENSIONS | |
|--------|-------------------------------------|------|--------------------------------|------|
| | MIN | MAX | MIN | MAX |
| A | -- | 1.20 | -- | .047 |
| A1 | 0.05 | 0.15 | .002 | .006 |
| A2 | 0.80 | 1.05 | .032 | .041 |
| b | 0.19 | 0.30 | .007 | .012 |
| c | 0.09 | 0.20 | .0035 | .008 |
| D | SEE VARIATIONS | | SEE VARIATIONS | |
| E | 6.40 BASIC | | 0.252 BASIC | |
| E1 | 4.30 | 4.50 | .169 | .177 |
| e | 0.65 BASIC | | 0.0256 BASIC | |
| L | 0.45 | 0.75 | .018 | .030 |
| N | SEE VARIATIONS | | SEE VARIATIONS | |
| a | 0° | 8° | 0° | 8° |
| aaa | -- | 0.10 | -- | .004 |

VARIATIONS

| N | D mm. | | D (inch) | |
|----|-------|------|----------|------|
| | MIN | MAX | MIN | MAX |
| 28 | 9.60 | 9.80 | .378 | .386 |

Reference Doc.: JEDEC Publication 95, MO-153

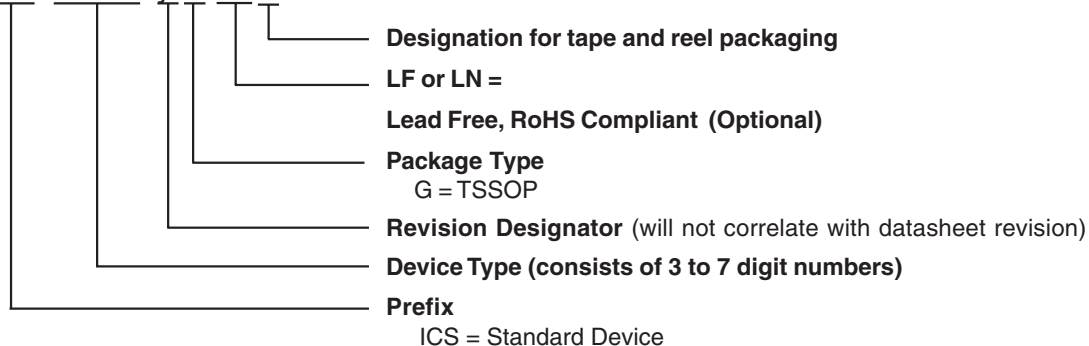
10-0035

Ordering Information

ICS9DB104yGLxT

Example:

ICS XXXX y G Lx T





Revision History

| Rev. | Issue Date | Description | Page # |
|------|------------|--|--------|
| D | 10/26/05 | Updated LF Ordering Information to LN or LF. | 12, 13 |
| E | 12/14/07 | Updated SMBus serial Interface Information. | 6 |
| | | | |
| | | | |

Looking for pricing, stock, or lifecycle information?

Click below to explore more details on WIN SOURCE:

- ⊖ [View 9DB104BGLF on WIN SOURCE](#)
- ⊖ [IDT, Integrated Device Technology Inc Information](#)

Optimize Your Supply Chain with WIN SOURCE Solutions

- ✓ Global Sourcing Solution
- ✓ Obsolete Management
- ✓ Cost Control Management
- ✓ Shortage Management
- ✓ Alternative Solution
- ✓ Excess Inventory Management