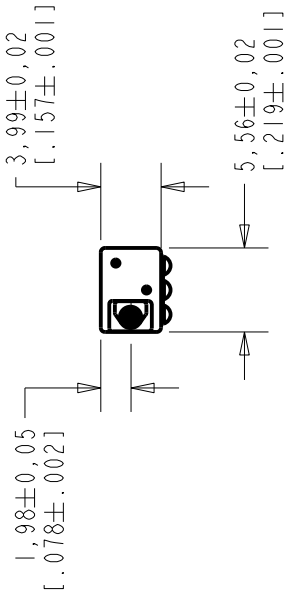




**THE DATASHEET OF**  
**EA-21986-000**



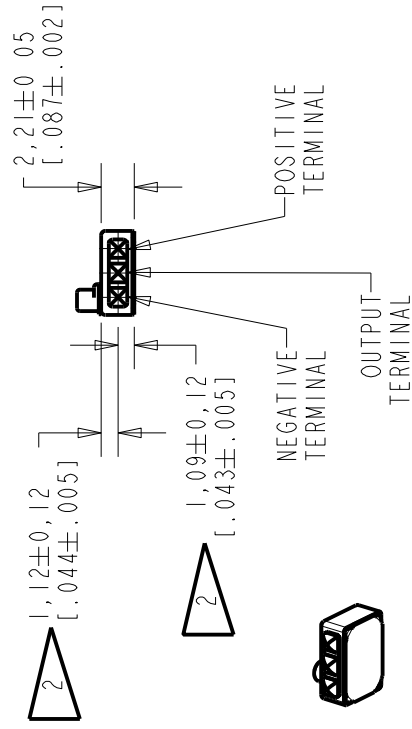


NOTE:

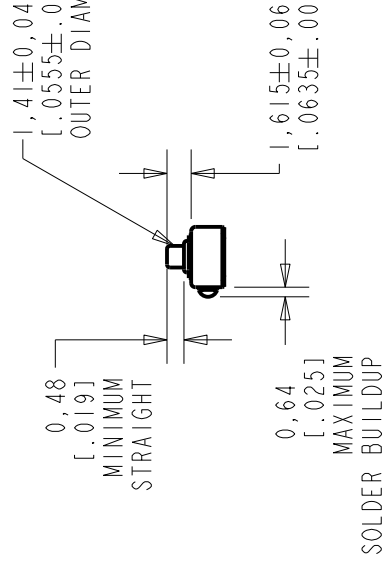
1. INCREASED PRESSURE A CAUSES A POSITIVE GO APPEAR AT THE OUTPUT RELATIVE TO THE NEGA



LOCATED FROM TWO SUR CONVENIENCE. ONLY A SURFACE, NOT TO BE U HORIZONTAL LOCATION TO ±0,17 [±.007].



NOMINAL WEIGHT  
.13 GRAM



DIMENSIONS IN MILLIMETERS [INCHES]

**KNOWLES ELECTRONICS**  
ITASCA, ILLINOIS U.S.A.

Revision	C.O. #	Implementation Date	RELEASE
A	MI10103696	6-24-10	Act

SCALE:

2:1

DO NOT SCALE DRAWING

TITLE:  
**MICROPHONE**

**EA-21986-**

OUTLINE DRAWING

SHT 1.

# KNOWLES ELECTRONICS ITASCA, ILLINOIS U.S.A.

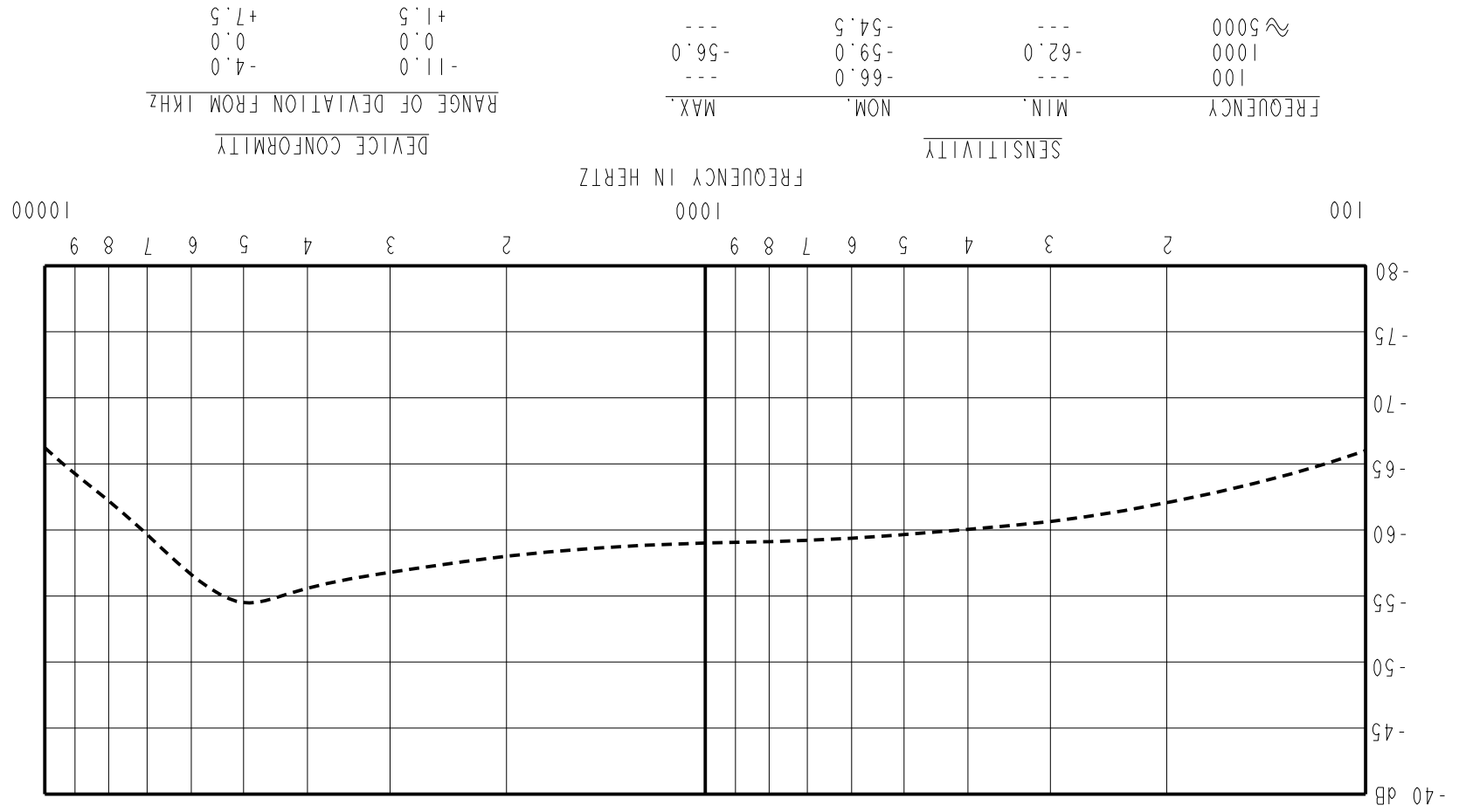
TITLE: <b>MICROPHONE</b>		PERFORMANCE SPECIFICATION	SHT 2.1
DR. BY DATE	LSY	6-24-10	6-24-10
CK. BY DATE	GJP	6-25-10	6-25-10
APP. BY DATE	GJP	6-25-10	6-25-10

WHEN TEST LIMITS ARE USED TO ESTABLISH INCOMING INSPECTION ACCEPTANCE/REJECTION CRITERIA, CORRELATION OF TEST EQUIPMENT WITH KNOWLES IS ALSO REQUIRED FOR ELIMINATION OF EQUIPMENT AND TEST METHOD VARIATION

Revision	C.O. #	Implementation Date	RELEASE LEVEL
A	M10103696	6-24-10	<b>Active</b>
<b>A</b>			

PORT LOCATION	DC SUPPLY	AMPLIFIER CURRENT DRAIN	SENSITIVITY CHANGE ON REDUCING SUPPLY TO 0.9VDC	"A" WEIGHTED NOISE	OUTPUT IMPEDANCE OHMS	CAPACITANCE ±50%
12KP	1.3V	50 µA MAX.	3 dB MAX.	28.5 dB MAX.	2000	NA
				MIN.	3500	NA
				NOM.	6000	NA
				MAX.		NA
					1-2	1-3

- NOTES:
- CASE CONNECTED TO NEGATIVE TERMINAL.
  - MICROPHONE TO BE FUNCTIONAL WITH 10 VDC SUPPLY.
  - CONFORMS TO REQUIREMENTS SHOWN ON ELECTRET MICROPHONE ENVIRONMENTAL QUALIFICATION TEST, SHEET 2.2.



SENSITIVITY IN DB RELATIVE TO 1.0 VOLT/0.1 Pa (N/M<sup>2</sup>)  
FOR CONDITIONS SHOWN BELOW.

## Looking for pricing, stock, or lifecycle information?

Click below to explore more details on WIN SOURCE:

 [View EA-21986-000](#) on WIN SOURCE

 [Knowles](#) Information

## Optimize Your Supply Chain with WIN SOURCE Solutions

-  Global Sourcing Solution
-  Obsolete Management
-  Cost Control Management
-  Shortage Management
-  Alternative Solution
-  Excess Inventory Management