



**THE DATASHEET OF
AD9744ARZ**



FEATURES

High performance member of pin-compatible TxDAC product family
Excellent spurious-free dynamic range performance
SFDR to Nyquist
 83 dBc at 5 MHz output
 80 dBc at 10 MHz output
 73 dBc at 20 MHz output
SNR at 5 MHz output, 125 MSPS: 77 dB
Twos complement or straight binary data format
Differential current outputs: 2 mA to 20 mA
Power dissipation: 135 mW at 3.3 V
Power-down mode: 15 mW at 3.3 V
On-chip 1.2 V reference
CMOS-compatible digital interface
28-lead SOIC, 28-lead TSSOP, and 32-lead LFCSP packages
Edge-triggered latches

GENERAL DESCRIPTION

The AD9744¹ is a 14-bit resolution, wideband, third generation member of the TxDAC series of high performance, low power CMOS digital-to-analog converters (DACs). The TxDAC family, consisting of pin-compatible 8-, 10-, 12-, and 14-bit DACs, is specifically optimized for the transmit signal path of communication systems. All of the devices share the same interface options, small outline package, and pinout, providing an upward or downward component selection path based on performance, resolution, and cost. The AD9744 offers exceptional ac and dc performance while supporting update rates up to 210 MSPS.

The AD9744's low power dissipation makes it well suited for portable and low power applications. Its power dissipation can be further reduced to a mere 60 mW with a slight degradation in performance by lowering the full-scale current output. Also, a power-down mode reduces the standby power dissipation to approximately 15 mW. A segmented current source architecture is combined with a proprietary switching technique to reduce spurious components and enhance dynamic performance.

APPLICATIONS

Wideband communication transmit channel
Direct IFs
Base stations
Wireless local loops
Digital radio links
Direct digital synthesis (DDS)
Instrumentation

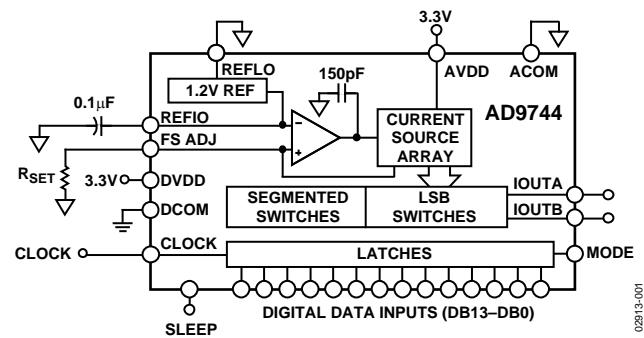
FUNCTIONAL BLOCK DIAGRAM


Figure 1.

Edge-triggered input latches and a 1.2 V temperature compensated band gap reference have been integrated to provide a complete monolithic DAC solution. The digital inputs support 3 V CMOS logic families.

PRODUCT HIGHLIGHTS

1. The AD9744 is the 14-bit member of the pin compatible TxDAC family, which offers excellent INL and DNL performance.
2. Data input supports twos complement or straight binary data coding.
3. High speed, single-ended CMOS clock input supports 210 MSPS conversion rate.
4. Low power: Complete CMOS DAC function operates on 135 mW from a 2.7 V to 3.6 V single supply. The DAC full-scale current can be reduced for lower power operation, and a sleep mode is provided for low power idle periods.
5. On-chip voltage reference: The AD9744 includes a 1.2 V temperature compensated band gap voltage reference.
6. Industry-standard 28-lead SOIC, 28-lead TSSOP, and 32-lead LFCSP packages.

¹Protected by U.S. Patent Numbers 5568145, 5689257, and 5703519.

TABLE OF CONTENTS

| | | | |
|---|-----------|---|-----------|
| Features | 1 | Reference Control Amplifier | 13 |
| Applications | 1 | DAC Transfer Function | 14 |
| Functional Block Diagram | 1 | Analog Outputs | 14 |
| General Description | 1 | Digital Inputs | 15 |
| Product Highlights | 1 | Clock Input | 15 |
| Revision History | 2 | DAC Timing | 16 |
| Specifications | 3 | Power Dissipation | 16 |
| DC Specifications | 3 | Applying the AD9744 | 17 |
| Dynamic Specifications | 4 | Differential Coupling Using a Transformer | 17 |
| Digital Specifications | 5 | Differential Coupling Using an Op Amp | 17 |
| Absolute Maximum Ratings | 6 | Single-Ended Unbuffered Voltage Output | 18 |
| Thermal Characteristics | 6 | Single-Ended, Buffered Voltage Output Configuration | 18 |
| ESD Caution | 6 | Power and Grounding Considerations, Power Supply Rejection | 18 |
| Pin Configurations and Function Descriptions | 7 | Evaluation Board | 20 |
| Typical Performance Characteristics | 8 | General Description | 20 |
| Terminology | 12 | Outline Dimensions | 30 |
| Functional Description | 13 | Ordering Guide | 31 |
| Reference Operation | 13 | | |
| REVISION HISTORY | | | |
| 12/13—Rev. B to Rev. C | | 5/03—Rev. 0 to Rev. A | |
| Added Table 5; Renumbered Sequentially | 6 | Added 32-Lead LFCSP Package | Universal |
| Added Exposed Pad Note to Figure 4 and Table 6, Pin Configurations and Function Descriptions Section | 7 | Edits to Features | 1 |
| Moved Terminology Section | 12 | Edits to Product Highlights | 1 |
| Updated Outline Dimensions | 30 | Edits to DC Specifications | 2 |
| Changes to Ordering Guide | 31 | Edits to Dynamic Specifications | 3 |
| 4/05—Rev. A to Rev. B | | Edits to Digital Specifications | 4 |
| Updated Format | Universal | Edits to Absolute Maximum Ratings | 5 |
| Changes to General Description | 1 | Edits to Thermal Characteristics | 5 |
| Changes to Product Highlights | 1 | Edits to Ordering Guide | 5 |
| Changes to DC Specifications | 3 | Edits to Pin Configuration | 6 |
| Changes to Dynamic Specifications | 4 | Edits to Pin Function Descriptions | 6 |
| Changes to Pin Function Description | 7 | Edits to Figure 2 | 7 |
| Changes to Figure 6 and Figure 9 | 9 | Replaced TPCs 1, 4, 7, and 8 | 8 |
| Inserted New Figure 10; Renumbered Sequentially | 9 | Edits to Figure 3 | 10 |
| Changes to Figure 12, Figure 13, Figure 14, and Figure 15 | 10 | Edits to Functional Description | 10 |
| Changes to Figure 22 Caption | 11 | Added Clock Input Section | 12 |
| Inserted New Figure 23; Renumbered Sequentially | 11 | Added Figure 7 | 12 |
| Changes to Functional Description | 13 | Edits to DAC Timing Section | 12 |
| Changes to Reference Operation Section | 13 | Edits to Sleep Mode Operation Section | 13 |
| Added Figure 25; Renumbered Sequentially | 13 | Edits to Power Dissipation Section | 13 |
| Changes to Digital Inputs Section | 15 | Renumbered Figures 8 to Figure 26 | 13 |
| Changes to Figure 31 and Figure 32 | 16 | Added Figure 11 | 13 |
| Updated Outline Dimensions | 30 | Added Figure 27 to Figure 35 | 21 |
| Changes to Ordering Guide | 31 | Updated Outline Dimensions | 26 |

SPECIFICATIONS

DC SPECIFICATIONS

T_{MIN} to T_{MAX} , $AVDD = 3.3$ V, $DVDD = 3.3$ V, $CLKVDD = 3.3$ V, $I_{OUTFS} = 20$ mA, unless otherwise noted.

Table 1.

| Parameter | Min | Typ | Max | Unit |
|--|-------|------|-------|---------------|
| RESOLUTION | 14 | | | Bits |
| DC ACCURACY ¹ | | | | |
| Integral Linearity Error (INL) | -5 | ±0.8 | +5 | LSB |
| Differential Nonlinearity (DNL) | -3 | ±0.5 | +3 | LSB |
| ANALOG OUTPUT | | | | |
| Offset Error | -0.02 | | +0.02 | % of FSR |
| Gain Error (Without Internal Reference) | -0.5 | ±0.1 | +0.5 | % of FSR |
| Gain Error (With Internal Reference) | -0.5 | ±0.1 | +0.5 | % of FSR |
| Full-Scale Output Current ² | 2 | | 20 | mA |
| Output Compliance Range | -1 | | +1.25 | V |
| Output Resistance | | 100 | | kΩ |
| Output Capacitance | | 5 | | pF |
| REFERENCE OUTPUT | | | | |
| Reference Voltage | 1.14 | 1.20 | 1.26 | V |
| Reference Output Current ³ | | 100 | | nA |
| REFERENCE INPUT | | | | |
| Input Compliance Range | 0.1 | | 1.25 | V |
| Reference Input Resistance (External Reference) | | 7 | | kΩ |
| Small Signal Bandwidth | | 0.5 | | MHz |
| TEMPERATURE COEFFICIENTS | | | | |
| Offset Drift | | 0 | | ppm of FSR/°C |
| Gain Drift (Without Internal Reference) | | ±50 | | ppm of FSR/°C |
| Gain Drift (With Internal Reference) | | ±100 | | ppm of FSR/°C |
| Reference Voltage Drift | | ±50 | | ppm/°C |
| POWER SUPPLY | | | | |
| Supply Voltages | | | | |
| AVDD | 2.7 | 3.3 | 3.6 | V |
| DVDD | 2.7 | 3.3 | 3.6 | V |
| CLKVDD | 2.7 | 3.3 | 3.6 | V |
| Analog Supply Current (I_{AVDD}) | | 33 | 36 | mA |
| Digital Supply Current (I_{DVDD}) ⁴ | | 8 | 9 | mA |
| Clock Supply Current (I_{CLKVDD}) | | 5 | 6 | mA |
| Supply Current Sleep Mode (I_{AVDD}) | | 5 | 6 | mA |
| Power Dissipation ⁴ | | 135 | 145 | mW |
| Power Dissipation ⁵ | | 145 | | mW |
| Power Supply Rejection Ratio—AVDD ⁶ | -1 | | +1 | % of FSR/V |
| Power Supply Rejection Ratio—DVDD ⁶ | -0.04 | | +0.04 | % of FSR/V |
| OPERATING RANGE | -40 | | +85 | °C |

¹ Measured at IOUTA, driving a virtual ground.

² Nominal full-scale current, I_{OUTFS} , is 32 times the I_{REF} current.

³ An external buffer amplifier with input bias current <100 nA should be used to drive any external load.

⁴ Measured at $f_{CLOCK} = 25$ MSPS and $f_{OUT} = 1$ MHz.

⁵ Measured as unbuffered voltage output with $I_{OUTFS} = 20$ mA and $50 \Omega R_{LOAD}$ at IOUTA and IOUTB, $f_{CLOCK} = 100$ MSPS and $f_{OUT} = 40$ MHz.

⁶ ±5% power supply variation.

DYNAMIC SPECIFICATIONS

T_{MIN} to T_{MAX} , $AVDD = 3.3\text{ V}$, $DVDD = 3.3\text{ V}$, $CLKVDD = 3.3\text{ V}$, $I_{OUTFS} = 20\text{ mA}$, differential transformer coupled output, $50\ \Omega$ doubly terminated, unless otherwise noted.

Table 2.

| Parameter | Min | Typ | Max | Unit |
|---|-----|------|-----|------------------------|
| DYNAMIC PERFORMANCE | | | | |
| Maximum Output Update Rate (f_{CLOCK}) | 210 | | | MSPS |
| Output Settling Time (t_{ST}) (to 0.1%) ¹ | | 11 | | ns |
| Output Propagation Delay (t_{PD}) | | 1 | | ns |
| Glitch Impulse | | 5 | | pV-s |
| Output Rise Time (10% to 90%) ¹ | | 2.5 | | ns |
| Output Fall Time (10% to 90%) ¹ | | 2.5 | | ns |
| Output Noise ($I_{OUTFS} = 20\text{ mA}$) ² | | 50 | | pA/ $\sqrt{\text{Hz}}$ |
| Output Noise ($I_{OUTFS} = 2\text{ mA}$) ² | | 30 | | pA/ $\sqrt{\text{Hz}}$ |
| Noise Spectral Density ³ | | -155 | | dBm/Hz |
| AC LINEARITY | | | | |
| Spurious-Free Dynamic Range to Nyquist | | | | |
| $f_{CLOCK} = 25\text{ MSPS}$; $f_{OUT} = 1.00\text{ MHz}$ | 77 | | | |
| 0 dBFS Output | | 90 | | dBc |
| -6 dBFS Output | | 87 | | dBc |
| -12 dBFS Output | | 82 | | dBc |
| -18 dBFS Output | | 82 | | dBc |
| $f_{CLOCK} = 65\text{ MSPS}$; $f_{OUT} = 1.00\text{ MHz}$ | | 85 | | dBc |
| $f_{CLOCK} = 65\text{ MSPS}$; $f_{OUT} = 2.51\text{ MHz}$ | | 84 | | dBc |
| $f_{CLOCK} = 65\text{ MSPS}$; $f_{OUT} = 10\text{ MHz}$ | | 80 | | dBc |
| $f_{CLOCK} = 65\text{ MSPS}$; $f_{OUT} = 15\text{ MHz}$ | | 75 | | dBc |
| $f_{CLOCK} = 65\text{ MSPS}$; $f_{OUT} = 25\text{ MHz}$ | | 74 | | dBc |
| $f_{CLOCK} = 165\text{ MSPS}$; $f_{OUT} = 21\text{ MHz}$ | 73 | | dBc | |
| $f_{CLOCK} = 165\text{ MSPS}$; $f_{OUT} = 41\text{ MHz}$ | 60 | | dBc | |
| $f_{CLOCK} = 210\text{ MSPS}$; $f_{OUT} = 41\text{ MHz}$ | 68 | | dBc | |
| $f_{CLOCK} = 210\text{ MSPS}$; $f_{OUT} = 69\text{ MHz}$ | 64 | | dBc | |
| Spurious-Free Dynamic Range Within a Window | | | | |
| $f_{CLOCK} = 25\text{ MSPS}$; $f_{OUT} = 1.00\text{ MHz}$; 2 MHz Span | 84 | 90 | | dBc |
| $f_{CLOCK} = 50\text{ MSPS}$; $f_{OUT} = 5.02\text{ MHz}$; 2 MHz Span | | 90 | | dBc |
| $f_{CLOCK} = 65\text{ MSPS}$; $f_{OUT} = 5.03\text{ MHz}$; 2.5 MHz Span | | 87 | | dBc |
| $f_{CLOCK} = 125\text{ MSPS}$; $f_{OUT} = 5.04\text{ MHz}$; 4 MHz Span | | 87 | | dBc |
| Total Harmonic Distortion | | | | |
| $f_{CLOCK} = 25\text{ MSPS}$; $f_{OUT} = 1.00\text{ MHz}$ | | -86 | -77 | dBc |
| $f_{CLOCK} = 50\text{ MSPS}$; $f_{OUT} = 2.00\text{ MHz}$ | | -77 | | dBc |
| $f_{CLOCK} = 65\text{ MSPS}$; $f_{OUT} = 2.00\text{ MHz}$ | | -77 | | dBc |
| $f_{CLOCK} = 125\text{ MSPS}$; $f_{OUT} = 2.00\text{ MHz}$ | | -77 | | dBc |
| Signal-to-Noise Ratio | | | | |
| $f_{CLOCK} = 65\text{ MSPS}$; $f_{OUT} = 5\text{ MHz}$; $I_{OUTFS} = 20\text{ mA}$ | | 82 | | dB |
| $f_{CLOCK} = 65\text{ MSPS}$; $f_{OUT} = 5\text{ MHz}$; $I_{OUTFS} = 5\text{ mA}$ | | 88 | | dB |
| $f_{CLOCK} = 125\text{ MSPS}$; $f_{OUT} = 5\text{ MHz}$; $I_{OUTFS} = 20\text{ mA}$ | | 77 | | dB |
| $f_{CLOCK} = 125\text{ MSPS}$; $f_{OUT} = 5\text{ MHz}$; $I_{OUTFS} = 5\text{ mA}$ | | 78 | | dB |
| $f_{CLOCK} = 165\text{ MSPS}$; $f_{OUT} = 5\text{ MHz}$; $I_{OUTFS} = 20\text{ mA}$ | | 70 | | dB |
| $f_{CLOCK} = 165\text{ MSPS}$; $f_{OUT} = 5\text{ MHz}$; $I_{OUTFS} = 5\text{ mA}$ | | 70 | | dB |
| $f_{CLOCK} = 210\text{ MSPS}$; $f_{OUT} = 5\text{ MHz}$; $I_{OUTFS} = 20\text{ mA}$ | | 74 | | dB |
| $f_{CLOCK} = 210\text{ MSPS}$; $f_{OUT} = 5\text{ MHz}$; $I_{OUTFS} = 5\text{ mA}$ | | 67 | | dB |

| Parameter | Min | Typ | Max | Unit |
|---|-----|-----|-----|------|
| Multitone Power Ratio (8 Tones at 400 kHz Spacing) f _{CLOCK} = 78 MSPS; f _{OUT} = 15.0 MHz to 18.2 MHz | | | | |
| 0 dBFS Output | | 66 | | dBc |
| -6 dBFS Output | | 68 | | dBc |
| -12 dBFS Output | | 62 | | dBc |
| -18 dBFS Output | | 61 | | dBc |

¹ Measured single-ended into 50 Ω load.

² Output noise is measured with a full-scale output set to 20 mA with no conversion activity. It is a measure of the thermal noise only.

³ Noise spectral density is the average noise power normalized to a 1 Hz bandwidth, with the DAC converting and producing an output tone.

DIGITAL SPECIFICATIONS

T_{MIN} to T_{MAX}, AVDD = 3.3 V, DVDD = 3.3 V, CLKVDD = 3.3 V, I_{OUTFS} = 20 mA, unless otherwise noted.

Table 3.

| Parameter | Min | Typ | Max | Unit |
|---------------------------------------|------|-----|------|------|
| DIGITAL INPUTS¹ | | | | |
| Logic 1 Voltage | 2.1 | 3 | | V |
| Logic 0 Voltage | | 0 | 0.9 | V |
| Logic 1 Current | -10 | | +10 | μA |
| Logic 0 Current | -10 | | +10 | μA |
| Input Capacitance | | 5 | | pF |
| Input Setup Time (t _s) | 2.0 | | | ns |
| Input Hold Time (t _H) | 1.5 | | | ns |
| Latch Pulse Width (t _{LPW}) | 1.5 | | | ns |
| CLK INPUTS² | | | | |
| Input Voltage Range | 0 | | 3 | V |
| Common-Mode Voltage | 0.75 | 1.5 | 2.25 | V |
| Differential Voltage | 0.5 | 1.5 | | V |

¹ Includes CLOCK pin on SOIC/TSSOP packages and CLK+ pin on LFCSP package in single-ended clock input mode.

² Applicable to CLK+ and CLK- inputs when configured for differential or PECL clock input mode.

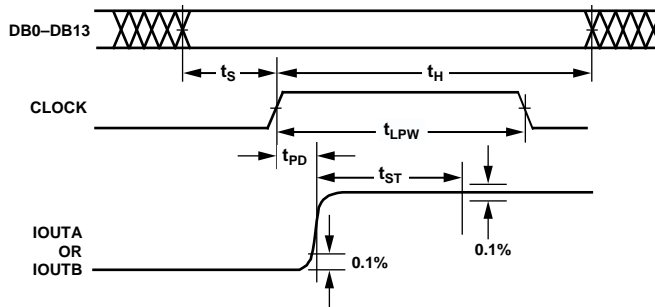


Figure 2. Timing Diagram

02913-002

ABSOLUTE MAXIMUM RATINGS

Table 4.

| Parameter | With Respect to | Min | Max | Unit |
|---------------------------|-----------------|------|--------------|------|
| AVDD | ACOM | -0.3 | +3.9 | V |
| DVDD | DCOM | -0.3 | +3.9 | V |
| CLKVDD | CLKCOM | -0.3 | +3.9 | V |
| ACOM | DCOM | -0.3 | +0.3 | V |
| ACOM | CLKCOM | -0.3 | +0.3 | V |
| DCOM | CLKCOM | -0.3 | +0.3 | V |
| AVDD | DVDD | -3.9 | +3.9 | V |
| AVDD | CLKVDD | -3.9 | +3.9 | V |
| DVDD | CLKVDD | -3.9 | +3.9 | V |
| CLOCK, SLEEP | DCOM | -0.3 | DVDD + 0.3 | V |
| Digital Inputs, MODE | DCOM | -0.3 | DVDD + 0.3 | V |
| IOUTA, IOUTB | ACOM | -1.0 | AVDD + 0.3 | V |
| REFIO, REFLO, FS ADJ | ACOM | -0.3 | AVDD + 0.3 | V |
| CLK+, CLK-, CMODE | CLKCOM | -0.3 | CLKVDD + 0.3 | V |
| Junction Temperature | | | 150 | °C |
| Storage Temperature | | -65 | +150 | °C |
| Lead Temperature (10 sec) | | | 300 | °C |

Stresses above those listed under Absolute Maximum Ratings may cause permanent damage to the device. This is a stress rating only; functional operation of the device at these or any other conditions above those indicated in the operational section of this specification is not implied. Exposure to absolute maximum rating conditions for extended periods may affect device reliability.

THERMAL CHARACTERISTICS

Thermal impedance measurements were taken on a 4-layer board in still air, in accordance with EIA/JESD51-7.

Table 5. Thermal Resistance

| Package Type | θ_{JA} | Unit |
|----------------------|---------------|------|
| 28-Lead 300-Mil SOIC | 55.9 | °C/W |
| 28-Lead TSSOP | 67.7 | °C/W |
| 32-Lead LFCSP | 32.5 | °C/W |

ESD CAUTION



ESD (electrostatic discharge) sensitive device. Charged devices and circuit boards can discharge without detection. Although this product features patented or proprietary protection circuitry, damage may occur on devices subjected to high energy ESD. Therefore, proper ESD precautions should be taken to avoid performance degradation or loss of functionality.

PIN CONFIGURATIONS AND FUNCTION DESCRIPTIONS

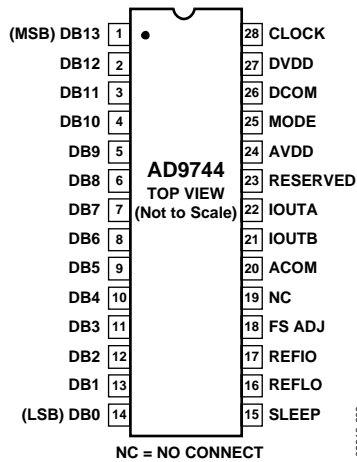
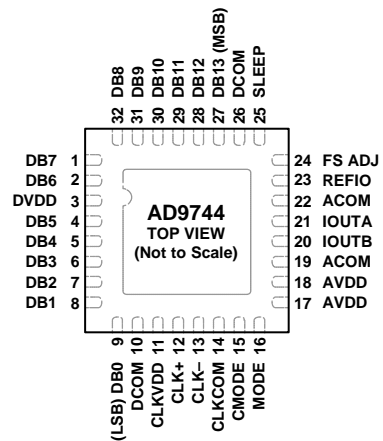


Figure 3. 28-Lead SOIC and TSSOP



NOTES
 1. CONNECT THE EXPOSED PAD THERMALLY TO A COPPER GROUND PLANE FOR ENHANCED ELECTRICAL AND THERMAL PERFORMANCE.

Figure 4. 32-Lead LFCSP

Table 6. Pin Function Descriptions

| SOIC/TSSOP Pin No. | LFCSP Pin No. | Mnemonic | Description |
|--------------------|------------------------|-------------|---|
| 1 | 27 | DB13 | Most Significant Data Bit (MSB). |
| 2 to 13 | 28 to 32, 1, 2, 4 to 8 | DB12 to DB1 | Data Bits 12 to 1. |
| 14 | 9 | DB0 | Least Significant Data Bit (LSB). |
| 15 | 25 | SLEEP | Power-Down Control Input. Active high. Contains active pull-down circuit; it may be left unterminated if not used. |
| 16 | N/A | REFLO | Reference Ground when Internal 1.2 V Reference Used. Connect to ACOM for both internal and external reference operation modes. |
| 17 | 23 | REFIO | Reference Input/Output. Serves as reference input when using external reference. Serves as 1.2 V reference output when using internal reference. Requires 0.1 μF capacitor to ACOM when using internal reference. |
| 18 | 24 | FS ADJ | Full-Scale Current Output Adjust. |
| 19 | N/A | NC | No Internal Connection. |
| 20 | 19, 22 | ACOM | Analog Common. |
| 21 | 20 | IOUTB | Complementary DAC Current Output. Full-scale current when all data bits are 0s. |
| 22 | 21 | IOUTA | DAC Current Output. Full-scale current when all data bits are 1s. |
| 23 | N/A | RESERVED | Reserved. Do not connect to common or supply. |
| 24 | 17, 18 | AVDD | Analog Supply Voltage (3.3 V). |
| 25 | 16 | MODE | Selects Input Data Format. Connect to DCOM for straight binary, DVDD for twos complement. |
| N/A | 15 | CMODE | Clock Mode Selection. Connect to CLKCOM for single-ended clock receiver (drive CLK+ and float CLK-). Connect to CLKVDD for differential receiver. Float for PECL receiver (terminations on-chip). |
| 26 | 10, 26 | DCOM | Digital Common. |
| 27 | 3 | DVDD | Digital Supply Voltage (3.3 V). |
| 28 | N/A | CLOCK | Clock Input. Data latched on positive edge of clock. |
| N/A | 12 | CLK+ | Differential Clock Input. |
| N/A | 13 | CLK- | Differential Clock Input. |
| N/A | 11 | CLKVDD | Clock Supply Voltage (3.3 V). |
| N/A | 14 | CLKCOM | Clock Common. |
| N/A | EPAD | EPAD | Exposed Pad. Connect the exposed pad thermally to a copper ground plane for enhanced electrical and thermal performance. |

TYPICAL PERFORMANCE CHARACTERISTICS

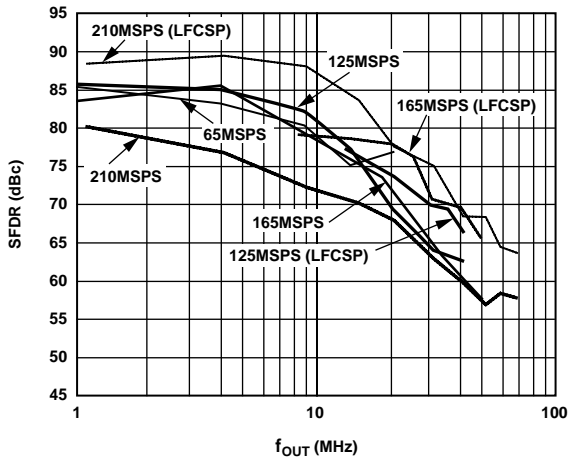


Figure 5. SFDR vs. f_{OUT} at 0 dBFS

02913-006

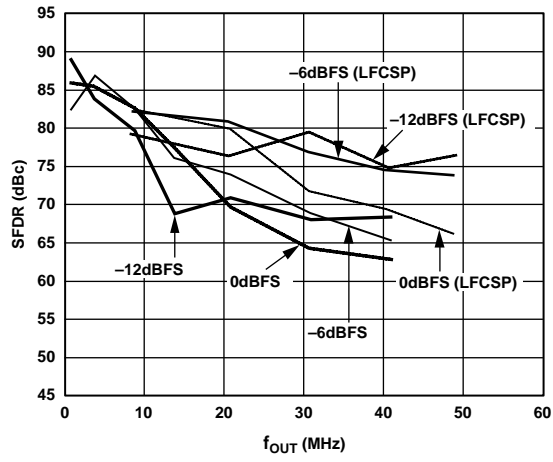


Figure 8. SFDR vs. f_{OUT} at 165 MSPS

02913-007

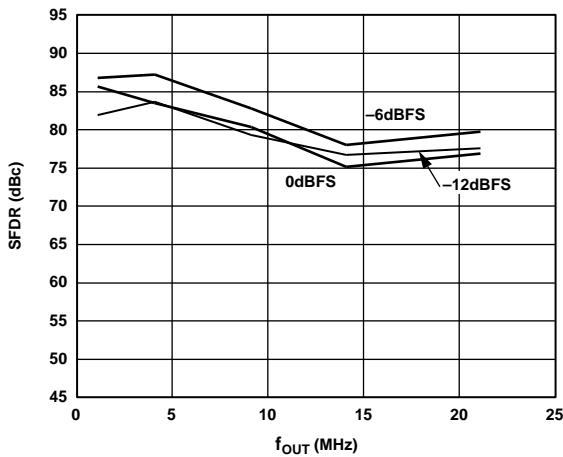


Figure 6. SFDR vs. f_{OUT} at 65 MSPS

02913-008

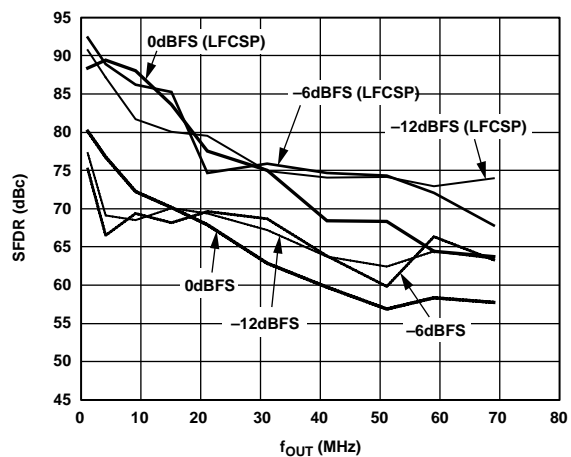


Figure 9. SFDR vs. f_{OUT} at 210 MSPS

02913-005

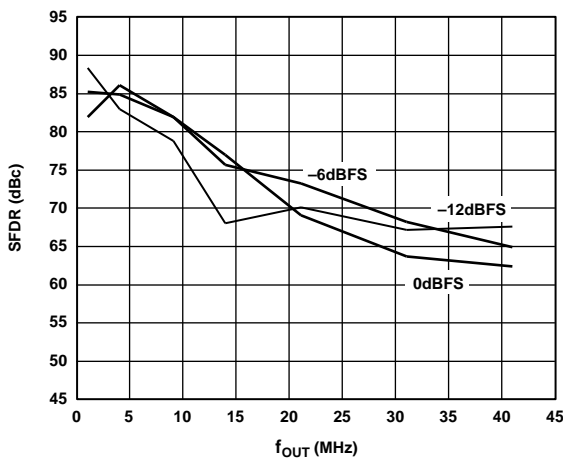


Figure 7. SFDR vs. f_{OUT} at 125 MSPS

02913-012

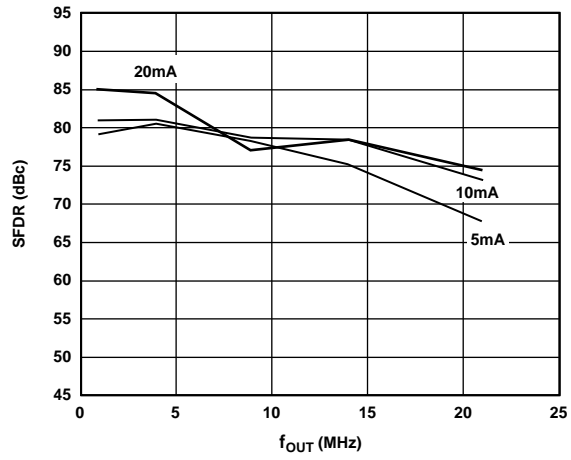


Figure 10. SFDR vs. f_{OUT} and I_{OUT} at 65 MSPS and 0 dBFS

02913-010

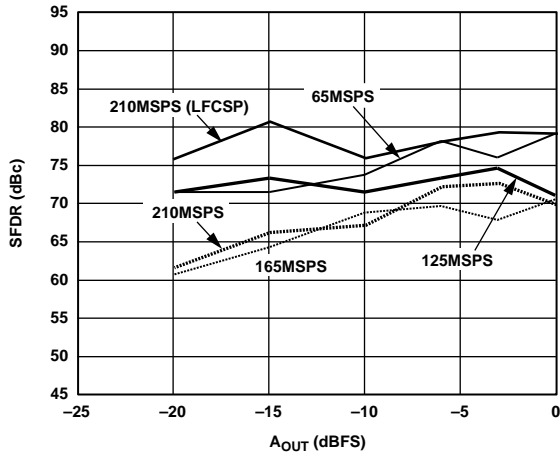


Figure 11. Single-Tone SFDR vs. A_{OUT} at $f_{OUT} = f_{CLOCK}/11$

02913-013

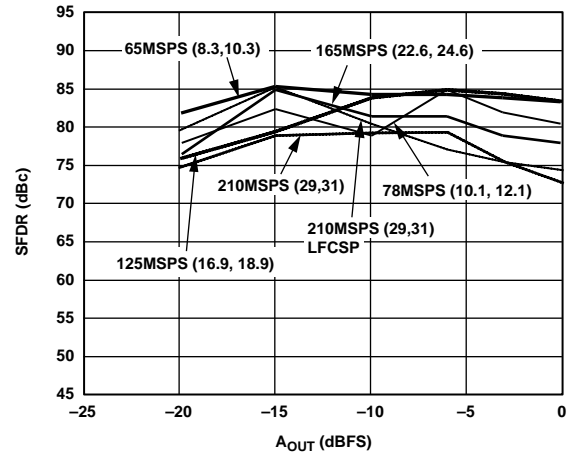


Figure 14. Dual-Tone IMD vs. A_{OUT} at $f_{OUT} = f_{CLOCK}/7$

02913-014

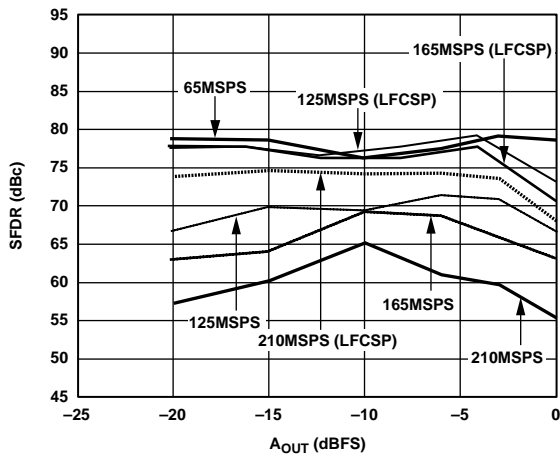


Figure 12. Single-Tone SFDR vs. A_{OUT} at $f_{OUT} = f_{CLOCK}/5$

02913-008

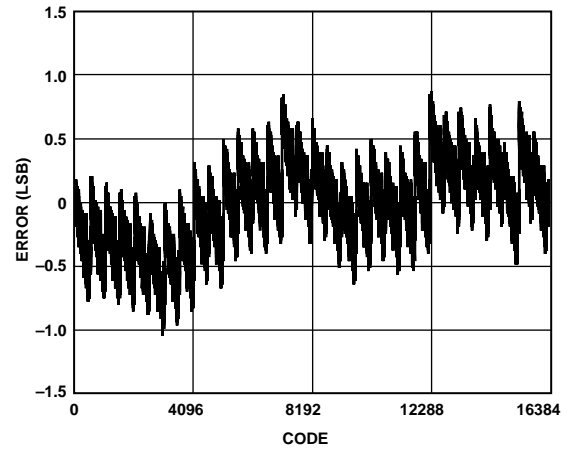


Figure 15. Typical INL

02913-015

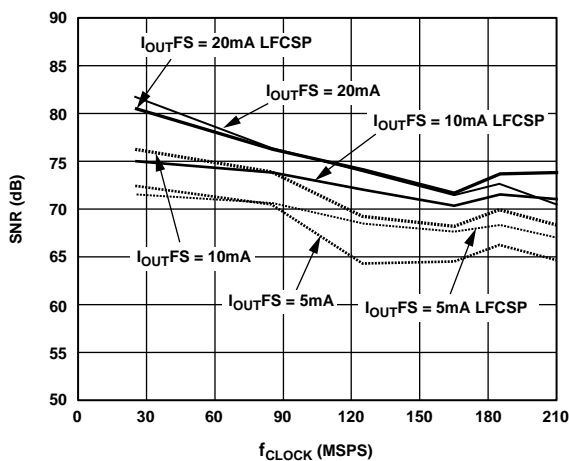


Figure 13. SNR vs. f_{CLOCK} and I_{OUTFS} at $f_{OUT} = 5$ MHz and 0 dBFS

02913-011

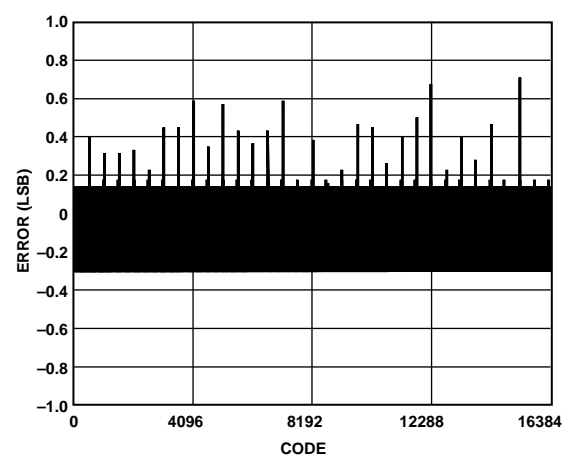


Figure 16. Typical DNL

02913-018

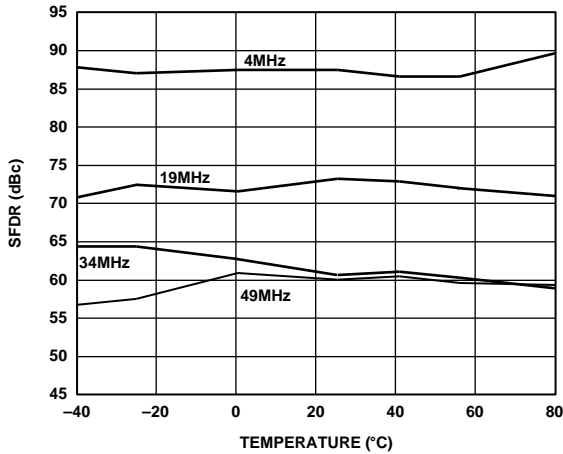


Figure 17. SFDR vs. Temperature at 165 MSPS, 0 dBFS

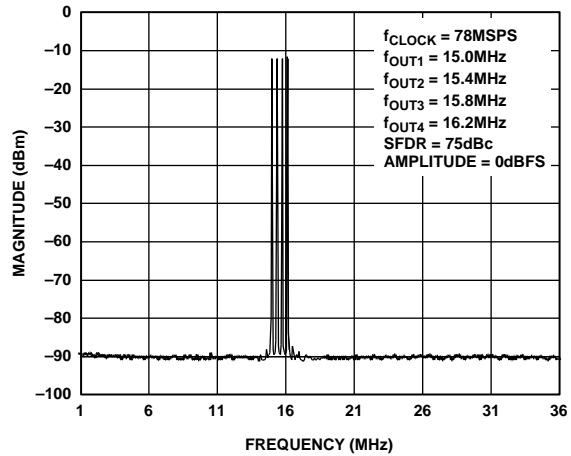


Figure 20. Four-Tone SFDR

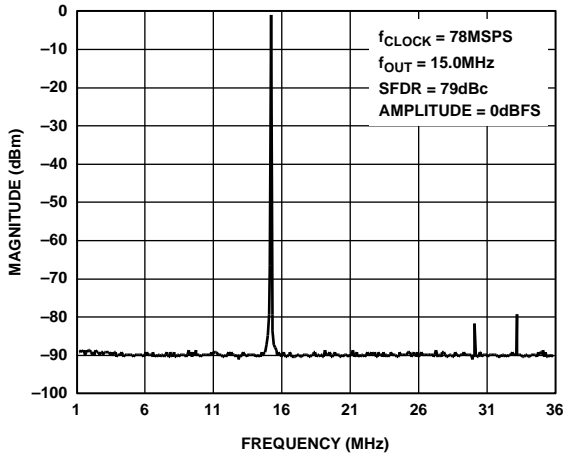


Figure 18. Single-Tone SFDR

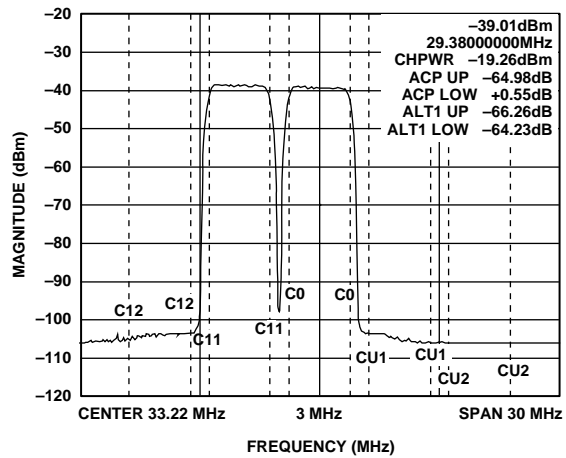


Figure 21. Two-Carrier UMTS Spectrum, $f_{\text{CLOCK}} = 122.88 \text{ MSPS}$ (ACLR = 64 dB) LFCSF Package

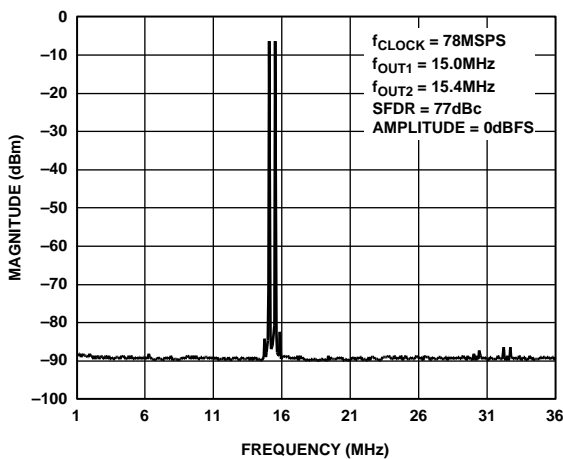


Figure 19. Dual-Tone SFDR

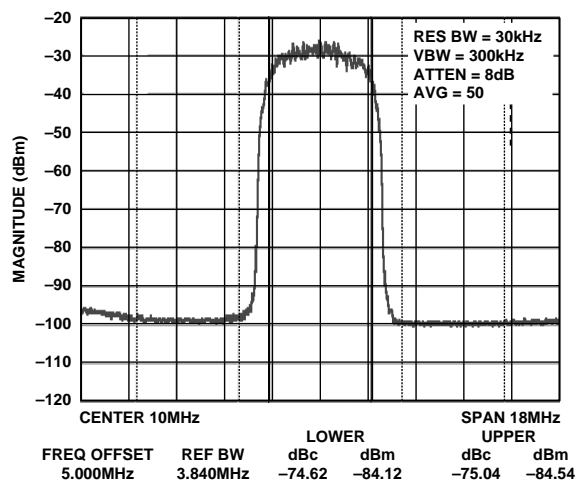


Figure 22. Single-Carrier UMTS Spectrum, $f_{\text{CLOCK}} = 61.44 \text{ MSPS}$ (ACLR = 74 dB) LFCSF Package

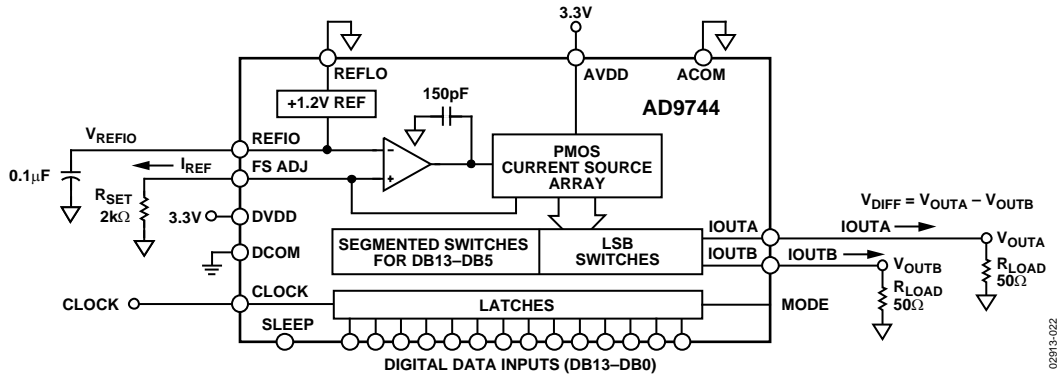


Figure 23. Simplified Block Diagram (SOIC/TSSOP Packages)

02813-022

FUNCTIONAL DESCRIPTION

Figure 23 shows a simplified block diagram of the AD9744. The AD9744 consists of a DAC, digital control logic, and full-scale output current control. The DAC contains a PMOS current source array capable of providing up to 20 mA of full-scale current (I_{OUTFS}). The array is divided into 31 equal currents that make up the five most significant bits (MSBs). The next four bits, or middle bits, consist of 15 equal current sources whose value is 1/16th of an MSB current source. The remaining LSBs are binary weighted fractions of the middle bits current sources. Implementing the middle and lower bits with current sources, instead of an R-2R ladder, enhances its dynamic performance for multitone or low amplitude signals and helps maintain the DAC's high output impedance (that is, >100 k Ω).

All of these current sources are switched to one or the other of the two output nodes, that is, IOUTA or IOUTB, via PMOS differential current switches. The switches are based on the architecture that was pioneered in the AD9764 family, with further refinements to reduce distortion contributed by the switching transient. This switch architecture also reduces various timing errors and provides matching complementary drive signals to the inputs of the differential current switches.

The analog and digital sections of the AD9744 have separate power supply inputs, that is, AVDD and DVDD, that can operate independently over a 2.7 V to 3.6 V range. The digital section, which is capable of operating at a rate of up to 210 MSPS, consists of edge-triggered latches and segment decoding logic circuitry. The analog section includes the PMOS current sources, the associated differential switches, a 1.2 V band gap voltage reference, and a reference control amplifier.

The DAC full-scale output current is regulated by the reference control amplifier and can be set from 2 mA to 20 mA via an external resistor, R_{SET} , connected to the full-scale adjust (FS ADJ) pin. The external resistor, in combination with both the reference control amplifier and voltage reference V_{REFIO} , sets the reference current I_{REF} , which is replicated to the segmented current sources with the proper scaling factor. The full-scale current, I_{OUTFS} , is 32 times I_{REF} .

REFERENCE OPERATION

The AD9744 contains an internal 1.2 V band gap reference. The internal reference cannot be disabled, but can be easily overridden by an external reference with no effect on performance. Figure 25 shows an equivalent circuit of the band gap reference. REFIO serves as either an output or an input depending on whether the internal or an external reference is used. To use the internal reference, simply decouple the REFIO pin to ACOM with a 0.1 μ F capacitor and connect REFLO to ACOM via a resistance less than 5 Ω . The internal reference voltage will be present at REFIO. If the voltage at REFIO is to be used anywhere else in the circuit, an external buffer amplifier with an input bias

current of less than 100 nA should be used. An example of the use of the internal reference is shown in Figure 26.

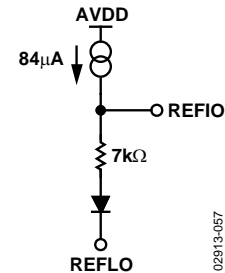


Figure 25. Equivalent Circuit of Internal Reference

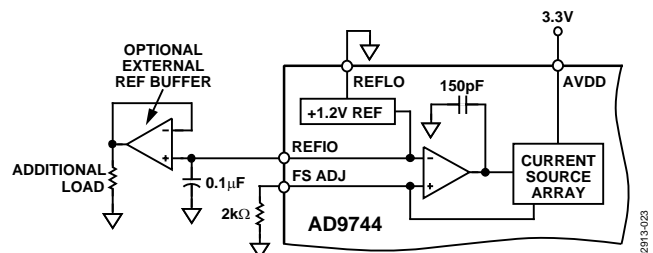


Figure 26. Internal Reference Configuration

An external reference can be applied to REFIO, as shown in Figure 27. The external reference may provide either a fixed reference voltage to enhance accuracy and drift performance or a varying reference voltage for gain control. Note that the 0.1 μ F compensation capacitor is not required since the internal reference is overridden, and the relatively high input impedance of REFIO minimizes any loading of the external reference.

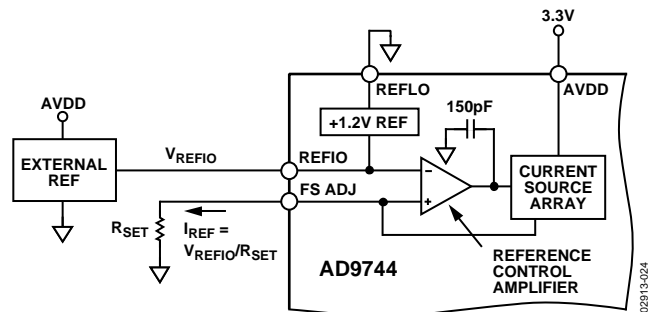


Figure 27. External Reference Configuration

REFERENCE CONTROL AMPLIFIER

The AD9744 contains a control amplifier that is used to regulate the full-scale output current, I_{OUTFS} . The control amplifier is configured as a V-I converter, as shown in Figure 26, so that its current output, I_{REF} , is determined by the ratio of the V_{REFIO} and an external resistor, R_{SET} , as stated in Equation 4. I_{REF} is copied to the segmented current sources with the proper scale factor to set I_{OUTFS} , as stated in Equation 3.

The control amplifier allows a wide (10:1) adjustment span of I_{OUTFS} over a 2 mA to 20 mA range by setting I_{REF} between 62.5 μ A and 625 μ A. The wide adjustment span of I_{OUTFS} provides several benefits. The first relates directly to the power dissipation of the AD9744, which is proportional to I_{OUTFS} (refer to the Power Dissipation section). The second relates to the 20 dB adjustment, which is useful for system gain control purposes.

The small signal bandwidth of the reference control amplifier is approximately 500 kHz and can be used for low frequency small signal multiplying applications.

DAC TRANSFER FUNCTION

Both DACs in the AD9744 provide complementary current outputs, I_{OUTA} and I_{OUTB} . I_{OUTA} provides a near full-scale current output, I_{OUTFS} , when all bits are high (that is, DAC CODE = 16383), while I_{OUTB} , the complementary output, provides no current. The current output appearing at I_{OUTA} and I_{OUTB} is a function of both the input code and I_{OUTFS} and can be expressed as

$$I_{OUTA} = (DAC\ CODE/16384) \times I_{OUTFS} \quad (1)$$

$$I_{OUTB} = (16383 - DAC\ CODE)/16384 \times I_{OUTFS} \quad (2)$$

where $DAC\ CODE = 0$ to 16383 (that is, decimal representation).

As mentioned previously, I_{OUTFS} is a function of the reference current I_{REF} , which is nominally set by a reference voltage, V_{REFIO} , and external resistor, R_{SET} . It can be expressed as

$$I_{OUTFS} = 32 \times I_{REF} \quad (3)$$

where

$$I_{REF} = V_{REFIO} / R_{SET} \quad (4)$$

The two current outputs will typically drive a resistive load directly or via a transformer. If dc coupling is required, I_{OUTA} and I_{OUTB} should be directly connected to matching resistive loads, R_{LOAD} , that are tied to analog common, ACOM. Note that R_{LOAD} may represent the equivalent load resistance seen by I_{OUTA} or I_{OUTB} as would be the case in a doubly terminated 50 Ω or 75 Ω cable. The single-ended voltage output appearing at the I_{OUTA} and I_{OUTB} nodes is simply

$$V_{OUTA} = I_{OUTA} \times R_{LOAD} \quad (5)$$

$$V_{OUTB} = I_{OUTB} \times R_{LOAD} \quad (6)$$

Note that the full-scale value of V_{OUTA} and V_{OUTB} should not exceed the specified output compliance range to maintain specified distortion and linearity performance.

$$V_{DIFF} = (I_{OUTA} - I_{OUTB}) \times R_{LOAD} \quad (7)$$

Substituting the values of I_{OUTA} , I_{OUTB} , I_{REF} , and V_{DIFF} can be expressed as

$$V_{DIFF} = \left[\frac{2 \times DAC\ CODE - 16383}{16384} \right] (32 \times R_{LOAD} / R_{SET}) \times V_{REFIO} \quad (8)$$

Equation 7 and Equation 8 highlight some of the advantages of operating the AD9744 differentially. First, the differential operation helps cancel common-mode error sources associated with I_{OUTA} and I_{OUTB} , such as noise, distortion, and dc offsets. Second, the differential code dependent current and subsequent voltage, V_{DIFF} , is twice the value of the single-ended voltage output (that is, V_{OUTA} or V_{OUTB}), thus providing twice the signal power to the load.

Note that the gain drift temperature performance for a single-ended (V_{OUTA} and V_{OUTB}) or differential output (V_{DIFF}) of the AD9744 can be enhanced by selecting temperature tracking resistors for R_{LOAD} and R_{SET} due to their ratiometric relationship, as shown in Equation 8.

ANALOG OUTPUTS

The complementary current outputs in each DAC, I_{OUTA} , and I_{OUTB} may be configured for single-ended or differential operation. I_{OUTA} and I_{OUTB} can be converted into complementary single-ended voltage outputs, V_{OUTA} and V_{OUTB} , via a load resistor, R_{LOAD} , as described in the DAC Transfer Function section by Equation 5 through Equation 8. The differential voltage, V_{DIFF} , existing between V_{OUTA} and V_{OUTB} , can also be converted to a single-ended voltage via a transformer or differential amplifier configuration. The ac performance of the AD9744 is optimum and specified using a differential transformer-coupled output in which the voltage swing at I_{OUTA} and I_{OUTB} is limited to ± 0.5 V.

The distortion and noise performance of the AD9744 can be enhanced when it is configured for differential operation. The common-mode error sources of both I_{OUTA} and I_{OUTB} can be significantly reduced by the common-mode rejection of a transformer or differential amplifier. These common-mode error sources include even-order distortion products and noise. The enhancement in distortion performance becomes more significant as the frequency content of the reconstructed waveform increases and/or its amplitude decreases. This is due to the first-order cancellation of various dynamic common-mode distortion mechanisms, digital feedthrough, and noise.

Performing a differential-to-single-ended conversion via a transformer also provides the ability to deliver twice the reconstructed signal power to the load (assuming no source termination). Since the output currents of I_{OUTA} and I_{OUTB} are complementary, they become additive when processed differentially. A properly selected transformer will allow the AD9744 to provide the required power and voltage levels to different loads.

The output impedance of I_{OUTA} and I_{OUTB} is determined by the equivalent parallel combination of the PMOS switches associated with the current sources and is typically 100 k Ω in parallel with 5 pF. It is also slightly dependent on the output voltage (that is, V_{OUTA} and V_{OUTB}) due to the nature of a PMOS device. As a result, maintaining I_{OUTA} and/or I_{OUTB} at a virtual ground via an I-V op amp configuration will result in the optimum dc linearity. Note that the INL/DNL specifications

for the AD9744 are measured with IOUTA maintained at a virtual ground via an op amp.

IOUTA and IOUTB also have a negative and positive voltage compliance range that must be adhered to in order to achieve optimum performance. The negative output compliance range of -1 V is set by the breakdown limits of the CMOS process. Operation beyond this maximum limit may result in a breakdown of the output stage and affect the reliability of the AD9744.

The positive output compliance range is slightly dependent on the full-scale output current, I_{OUTFS} . It degrades slightly from its nominal 1.2 V for an $I_{OUTFS} = 20\text{ mA}$ to 1 V for an $I_{OUTFS} = 2\text{ mA}$. The optimum distortion performance for a single-ended or differential output is achieved when the maximum full-scale signal at IOUTA and IOUTB does not exceed 0.5 V .

DIGITAL INPUTS

The AD9744 digital section consists of 14 input bit channels and a clock input. The 14-bit parallel data inputs follow standard positive binary coding, where DB13 is the most significant bit (MSB) and DB0 is the least significant bit (LSB). IOUTA produces a full-scale output current when all data bits are at Logic 1. IOUTB produces a complementary output with the full-scale current split between the two outputs as a function of the input code.

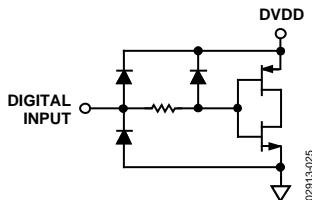


Figure 28. Equivalent Digital Input

The digital interface is implemented using an edge-triggered master/slave latch. The DAC output updates on the rising edge of the clock and is designed to support a clock rate as high as 210 MSPS . The clock can be operated at any duty cycle that meets the specified latch pulse width. The setup and hold times can also be varied within the clock cycle as long as the specified minimum times are met, although the location of these transition edges may affect digital feedthrough and distortion performance. Best performance is typically achieved when the input data transitions on the falling edge of a 50% duty cycle clock.

CLOCK INPUT

SOIC/TSSOP Packages

The 28-lead package options have a single-ended clock input (CLOCK) that must be driven to rail-to-rail CMOS levels. The quality of the DAC output is directly related to the clock quality, and jitter is a key concern. Any noise or jitter in the clock will translate directly into the DAC output. Optimal performance will be achieved if the CLOCK input has a sharp rising edge, since the DAC latches are positive edge triggered.

LFCSP Package

A configurable clock input is available in the LFCSP package, which allows for one single-ended and two differential modes. The mode selection is controlled by the CMODE input, as summarized in Table 7. Connecting CMODE to CLKCOM selects the single-ended clock input. In this mode, the CLK+ input is driven with rail-to-rail swings and the CLK- input is left floating. If CMODE is connected to CLKVDD, the differential receiver mode is selected. In this mode, both inputs are high impedance. The final mode is selected by floating CMODE. This mode is also differential, but internal terminations for positive emitter-coupled logic (PECL) are activated. There is no significant performance difference among any of the three clock input modes.

Table 7. Clock Mode Selection

| CMODE Pin | Clock Input Mode |
|-----------|------------------|
| CLKCOM | Single-Ended |
| CLKVDD | Differential |
| Float | PECL |

The single-ended input mode operates in the same way as the CLOCK input in the 28-lead packages, as previously described.

In the differential input mode, the clock input functions as a high impedance differential pair. The common-mode level of the CLK+ and CLK- inputs can vary from 0.75 V to 2.25 V , and the differential voltage can be as low as 0.5 V p-p . This mode can be used to drive the clock with a differential sine wave since the high gain bandwidth of the differential inputs will convert the sine wave into a single-ended square wave internally.

The final clock mode allows for a reduced external component count when the DAC clock is distributed on the board using PECL logic. The internal termination configuration is shown in Figure 29. These termination resistors are untrimmed and can vary up to $\pm 20\%$. However, matching between the resistors should generally be better than $\pm 1\%$.

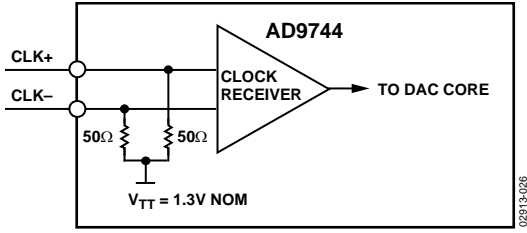


Figure 29. Clock Termination in PECL Mode

DAC TIMING

Input Clock and Data Timing Relationship

Dynamic performance in a DAC is dependent on the relationship between the position of the clock edges and the time at which the input data changes. The AD9744 is rising edge triggered, and so exhibits dynamic performance sensitivity when the data transition is close to this edge. In general, the goal when applying the AD9744 is to make the data transition close to the falling clock edge. This becomes more important as the sample rate increases. Figure 30 shows the relationship of SFDR to clock placement with different sample rates. Note that at the lower sample rates, more tolerance is allowed in clock placement, while at higher rates, more care must be taken.

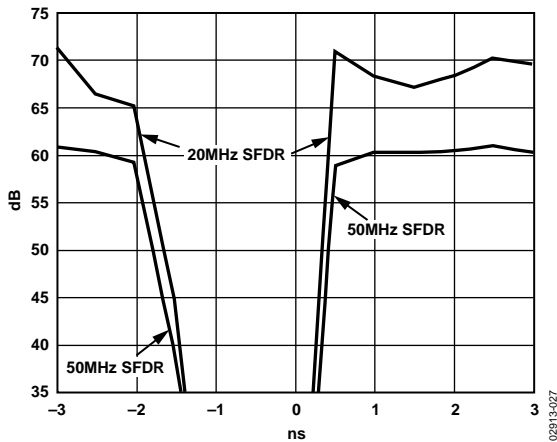


Figure 30. SFDR vs. Clock Placement at $f_{OUT} = 20\text{ MHz}$ and 50 MHz

Sleep Mode Operation

The AD9744 has a power-down function that turns off the output current and reduces the supply current to less than 6 mA over the specified supply range of 2.7 V to 3.6 V and temperature range. This mode can be activated by applying a logic level 1 to the SLEEP pin. The SLEEP pin logic threshold is equal to 0.5 Ω AVDD. This digital input also contains an active pull-down circuit that ensures that the AD9744 remains enabled if this input is left disconnected. The AD9744 takes less than 50 ns to power down and approximately 5 μ s to power back up.

POWER DISSIPATION

The power dissipation, P_D , of the AD9744 is dependent on several factors that include:

- The power supply voltages (AV_{DD} , $CLKV_{DD}$, and DV_{DD})
- The full-scale current output I_{OUTFS}
- The update rate f_{CLOCK}
- The reconstructed digital input waveform

The power dissipation is directly proportional to the analog supply current, I_{AVDD} , and the digital supply current, I_{DVDD} . I_{AVDD} is directly proportional to I_{OUTFS} , as shown in Figure 31, and is insensitive to f_{CLOCK} . Conversely, I_{DVDD} is dependent on both the digital input waveform, f_{CLOCK} , and digital supply DV_{DD} . Figure 32 shows I_{DVDD} as a function of full-scale sine wave output ratios (f_{OUT}/f_{CLOCK}) for various update rates with $DV_{DD} = 3.3\text{ V}$.

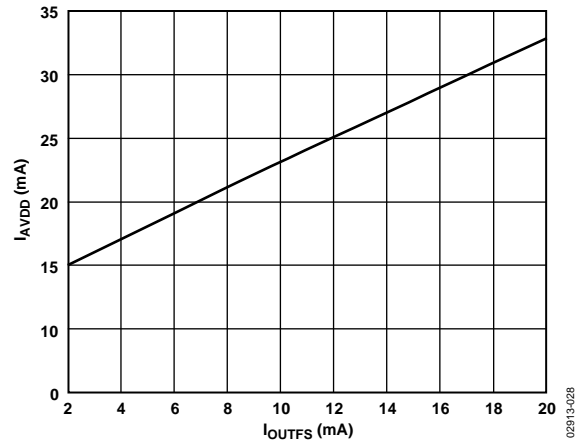


Figure 31. I_{AVDD} vs. I_{OUTFS}

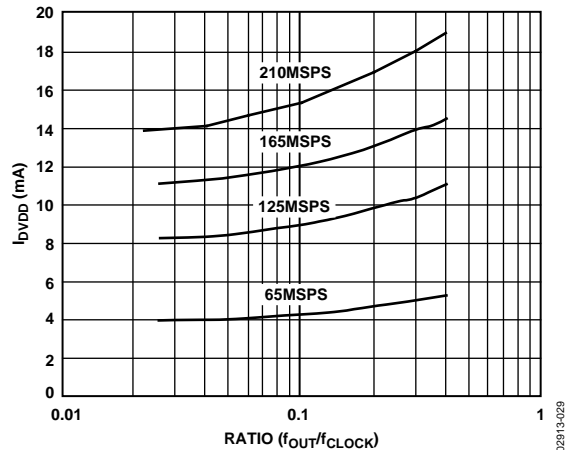
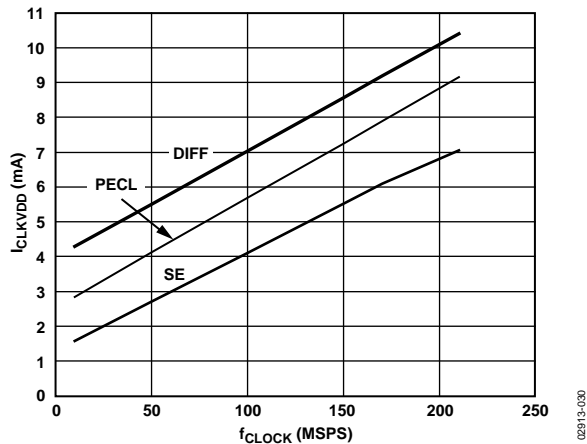


Figure 32. I_{DVDD} vs. Ratio at $DV_{DD} = 3.3\text{ V}$

Figure 33. I_{CLKVDD} vs. f_{CLOCK} and Clock Mode

APPLYING THE AD9744

Output Configurations

The following sections illustrate some typical output configurations for the AD9744. Unless otherwise noted, it is assumed that I_{OUTFS} is set to a nominal 20 mA. For applications requiring the optimum dynamic performance, a differential output configuration is suggested. A differential output configuration may consist of either an RF transformer or a differential op amp configuration. The transformer configuration provides the optimum high frequency performance and is recommended for any application that allows ac coupling. The differential op amp configuration is suitable for applications requiring dc coupling, a bipolar output, signal gain, and/or level shifting within the bandwidth of the chosen op amp.

A single-ended output is suitable for applications requiring a unipolar voltage output. A positive unipolar output voltage results if I_{OUTA} and/or I_{OUTB} are connected to an appropriately sized load resistor, R_{LOAD} , referred to ACOM. This configuration may be more suitable for a single-supply system requiring a dc-coupled, ground referred output voltage. Alternatively, an amplifier could be configured as an I-V converter, thus converting I_{OUTA} or I_{OUTB} into a negative unipolar voltage. This configuration provides the best dc linearity since I_{OUTA} or I_{OUTB} is maintained at a virtual ground.

DIFFERENTIAL COUPLING USING A TRANSFORMER

An RF transformer can be used to perform a differential-to-single-ended signal conversion, as shown in Figure 34. A differentially coupled transformer output provides the optimum distortion performance for output signals whose spectral content lies within the transformer's pass band. An RF transformer, such as the Mini-Circuits T1-1T, provides excellent rejection of common-mode distortion (that is, even-order harmonics) and noise over a wide frequency range. It also provides electrical isolation and the ability to deliver twice the power to the load. Transformers with different impedance ratios may also be used

for impedance matching purposes. Note that the transformer provides ac coupling only.

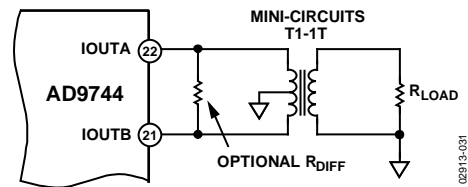


Figure 34. Differential Output Using a Transformer

The center tap on the primary side of the transformer must be connected to ACOM to provide the necessary dc current path for both I_{OUTA} and I_{OUTB} . The complementary voltages appearing at I_{OUTA} and I_{OUTB} (that is, V_{OUTA} and V_{OUTB}) swing symmetrically around ACOM and should be maintained with the specified output compliance range of the AD9744. A differential resistor, R_{DIFF} , may be inserted in applications where the output of the transformer is connected to the load, R_{LOAD} , via a passive reconstruction filter or cable. R_{DIFF} is determined by the transformer's impedance ratio and provides the proper source termination that results in a low VSWR. Note that approximately half the signal power will be dissipated across R_{DIFF} .

DIFFERENTIAL COUPLING USING AN OP AMP

An op amp can also be used to perform a differential-to-single-ended conversion, as shown in Figure 35. The AD9744 is configured with two equal load resistors, R_{LOAD} , of 25 Ω . The differential voltage developed across I_{OUTA} and I_{OUTB} is converted to a single-ended signal via the differential op amp configuration. An optional capacitor can be installed across I_{OUTA} and I_{OUTB} , forming a real pole in a low-pass filter. The addition of this capacitor also enhances the op amp's distortion performance by preventing the DAC's high slewing output from overloading the op amp's input.

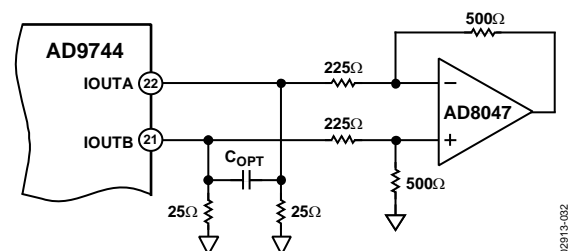


Figure 35. DC Differential Coupling Using an Op Amp

The common-mode rejection of this configuration is typically determined by the resistor matching. In this circuit, the differential op amp circuit using the AD8047 is configured to provide some additional signal gain. The op amp must operate off a dual supply since its output is approximately ± 1 V. A high speed amplifier capable of preserving the differential performance of the AD9744 while meeting other system level objectives (such as cost or power) should be selected. The op amp's differential gain, gain setting resistor values, and full-scale output swing capabilities should all be considered when optimizing this circuit.

The differential circuit shown in Figure 36 provides the necessary level shifting required in a single-supply system. In this case, AVDD, which is the positive analog supply for both the AD9744 and the op amp, is also used to level-shift the differential output of the AD9744 to midsupply (that is, AVDD/2). The AD8041 is a suitable op amp for this application.

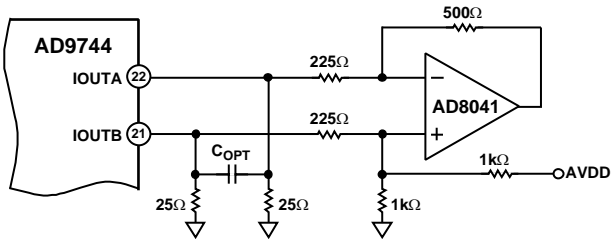


Figure 36. Single-Supply DC Differential Coupled Circuit

SINGLE-ENDED UNBUFFERED VOLTAGE OUTPUT

Figure 37 shows the AD9744 configured to provide a unipolar output range of approximately 0 V to 0.5 V for a doubly terminated 50 Ω cable since the nominal full-scale current, IOUTFS, of 20 mA flows through the equivalent RLOAD of 25 Ω. In this case, RLOAD represents the equivalent load resistance seen by IOUTA or IOUTB. The unused output (IOUTA or IOUTB) can be connected to ACOM directly or via a matching RLOAD. Different values of IOUTFS and RLOAD can be selected as long as the positive compliance range is adhered to. One additional consideration in this mode is the integral nonlinearity (INL), discussed in the Analog Outputs section. For optimum INL performance, the single-ended, buffered voltage output configuration is suggested.

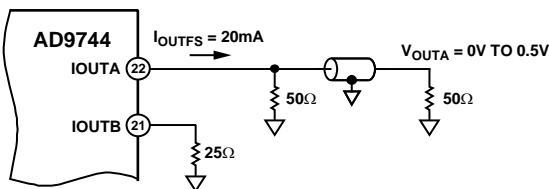


Figure 37. 0 V to 0.5 V Unbuffered Voltage Output

SINGLE-ENDED, BUFFERED VOLTAGE OUTPUT CONFIGURATION

Figure 38 shows a buffered single-ended output configuration in which the op amp U1 performs an I-V conversion on the AD9744 output current. U1 maintains IOUTA (or IOUTB) at a virtual ground, minimizing the nonlinear output impedance effect on the DAC's INL performance as described in the Analog Outputs section. Although this single-ended configuration typically provides the best dc linearity performance, its ac distortion performance at higher DAC update rates may be limited by U1's slew rate capabilities. U1 provides a negative unipolar output voltage, and its full-scale output voltage is simply the product of RFB and IOUTFS. The full-scale output should be set within U1's voltage output swing capabilities by scaling IOUTFS and/or RFB. An improvement in ac distortion performance may result with a reduced IOUTFS since the signal current U1 will be required to sink less signal current.

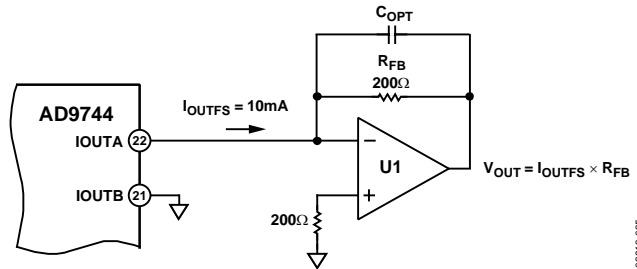


Figure 38. Unipolar Buffered Voltage Output

POWER AND GROUNDING CONSIDERATIONS, POWER SUPPLY REJECTION

Many applications seek high speed and high performance under less than ideal operating conditions. In these application circuits, the implementation and construction of the printed circuit board is as important as the circuit design. Proper RF techniques must be used for device selection, placement, and routing as well as power supply bypassing and grounding to ensure optimum performance. Figure 43 to Figure 46 illustrate the recommended printed circuit board ground, power, and signal plane layouts implemented on the AD9744 evaluation board.

One factor that can measurably affect system performance is the ability of the DAC output to reject dc variations or ac noise superimposed on the analog or digital dc power distribution. This is referred to as the power supply rejection ratio (PSRR). For dc variations of the power supply, the resulting performance of the DAC directly corresponds to a gain error associated with the DAC's full-scale current, IOUTFS. AC noise on the dc supplies is common in applications where the power distribution is generated by a switching power supply. Typically, switching power supply noise will occur over the spectrum from tens of kHz to several MHz. The PSRR vs. frequency of the AD9744 AVDD supply over this frequency range is shown in Figure 39.

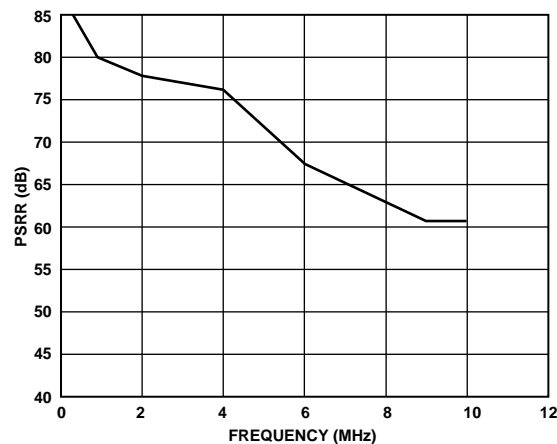


Figure 39. Power Supply Rejection Ratio (PSRR) vs. Frequency

Note that the ratio in Figure 39 is calculated as amps out/volts in. Noise on the analog power supply has the effect of modulating the internal switches, and therefore the output current. The voltage noise on AVDD, therefore, will be added in a nonlinear manner to the desired IOUT. Due to the relative different size of

these switches, the PSRR is very code dependent. This can produce a mixing effect that can modulate low frequency power supply noise to higher frequencies. Worst-case PSRR for either one of the differential DAC outputs will occur when the full-scale current is directed toward that output. As a result, the PSRR measurement in Figure 39 represents a worst-case condition in which the digital inputs remain static and the full-scale output current of 20 mA is directed to the DAC output being measured.

An example serves to illustrate the effect of supply noise on the analog supply. Suppose a switching regulator with a switching frequency of 250 kHz produces 10 mV of noise and, for simplicity's sake (ignoring harmonics), all of this noise is concentrated at 250 kHz. To calculate how much of this undesired noise will appear as current noise superimposed on the DAC's full-scale current, I_{OUTFS} , one must determine the PSRR in dB using Figure 39 at 250 kHz. To calculate the PSRR for a given R_{LOAD} , such that the units of PSRR are converted from A/V to V/V, adjust the curve in Figure 39 by the scaling factor $20 \Omega \log (R_{LOAD})$. For instance, if R_{LOAD} is 50 Ω , the PSRR is reduced by 34 dB (that is, PSRR of the DAC at 250 kHz, which is 85 dB in Figure 39, becomes 51 dB V_{OUT}/V_{IN}).

Proper grounding and decoupling should be a primary objective in any high speed, high resolution system. The

AD9744 features separate analog and digital supplies and ground pins to optimize the management of analog and digital ground currents in a system. In general, AVDD, the analog supply, should be decoupled to ACOM, the analog common, as close to the chip as physically possible. Similarly, DVDD, the digital supply, should be decoupled to DCOM as close to the chip as physically possible.

For those applications that require a single 3.3 V supply for both the analog and digital supplies, a clean analog supply may be generated using the circuit shown in Figure 40. The circuit consists of a differential LC filter with separate power supply and return lines. Lower noise can be attained by using low ESR type electrolytic and tantalum capacitors.

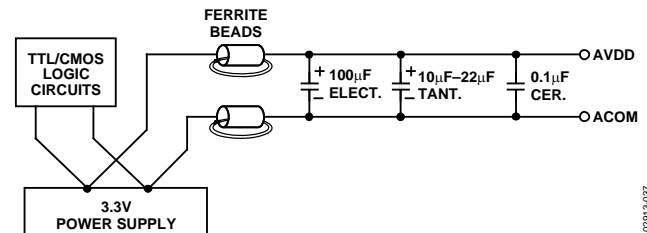


Figure 40. Differential LC Filter for Single 3.3 V Applications

02913A07

EVALUATION BOARD

GENERAL DESCRIPTION

The TxDAC family evaluation boards allow for easy setup and testing of any TxDAC product in the SOIC and LFCSP packages. Careful attention to layout and circuit design, combined with a prototyping area, allows the user to evaluate the AD9744 easily and effectively in any application where high resolution, high speed conversion is required.

This board allows the user the flexibility to operate the AD9744 in various configurations. Possible output configurations include transformer coupled, resistor terminated, and single and differential outputs. The digital inputs are designed to be driven from various word generators, with the on-board option to add a resistor network for proper load termination. Provisions are also made to operate the AD9744 with either the internal or external reference or to exercise the power-down feature.

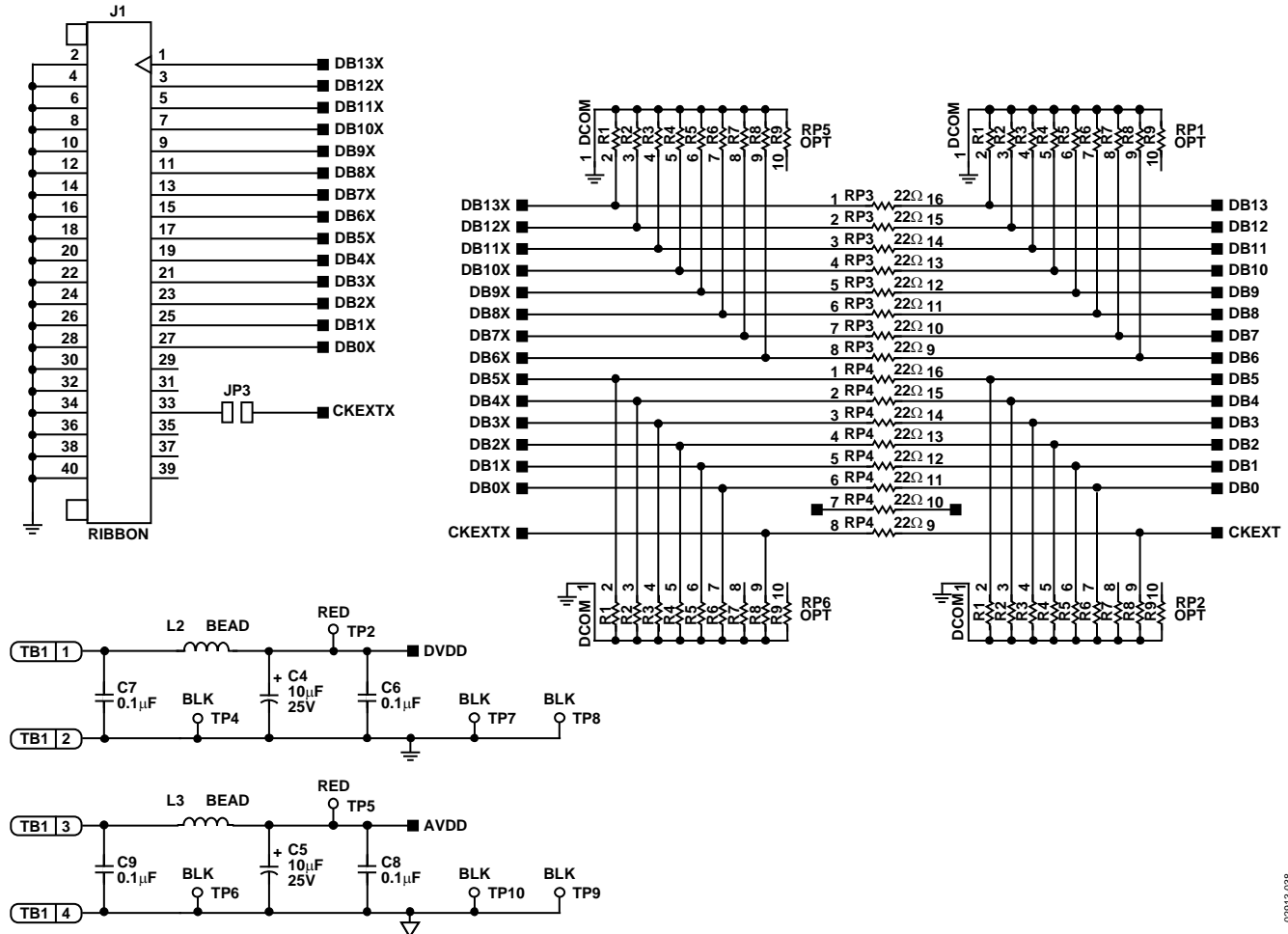


Figure 41. SOIC Evaluation Board—Power Supply and Digital Inputs

02513-038

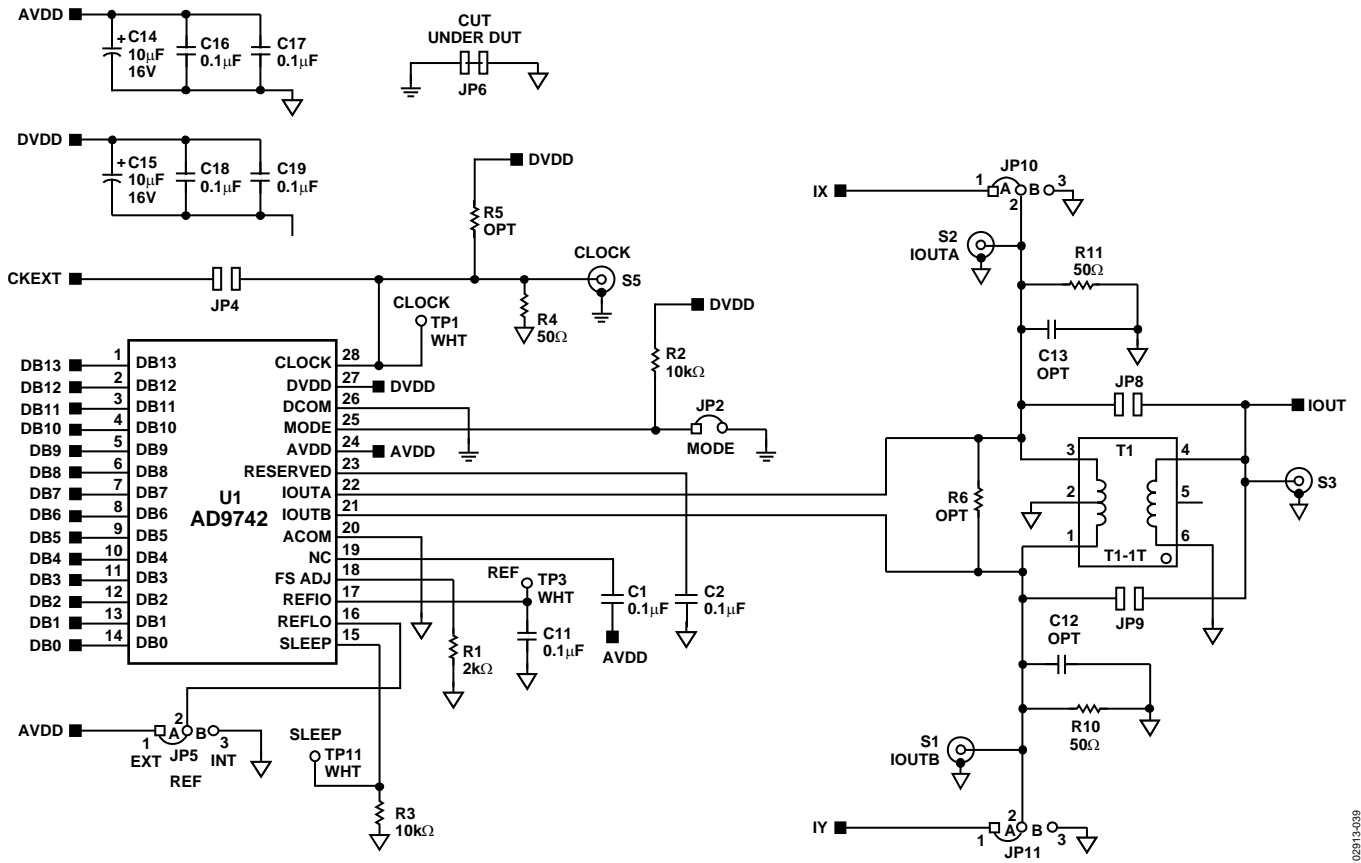


Figure 42. SOIC Evaluation Board—Output Signal Conditioning

02915-029

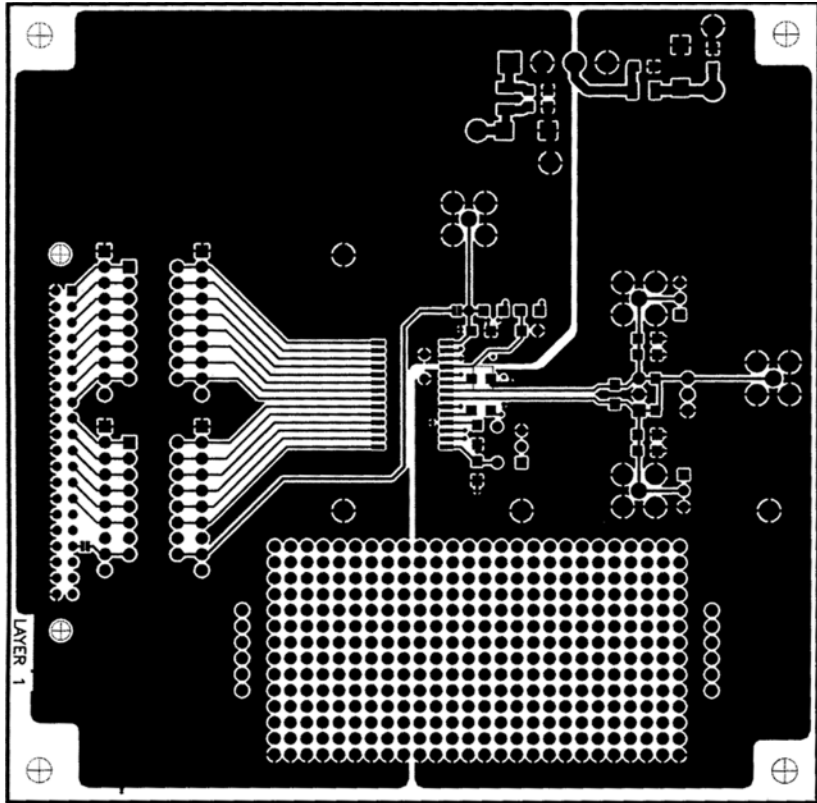


Figure 43. SOIC Evaluation Board—Primary Side

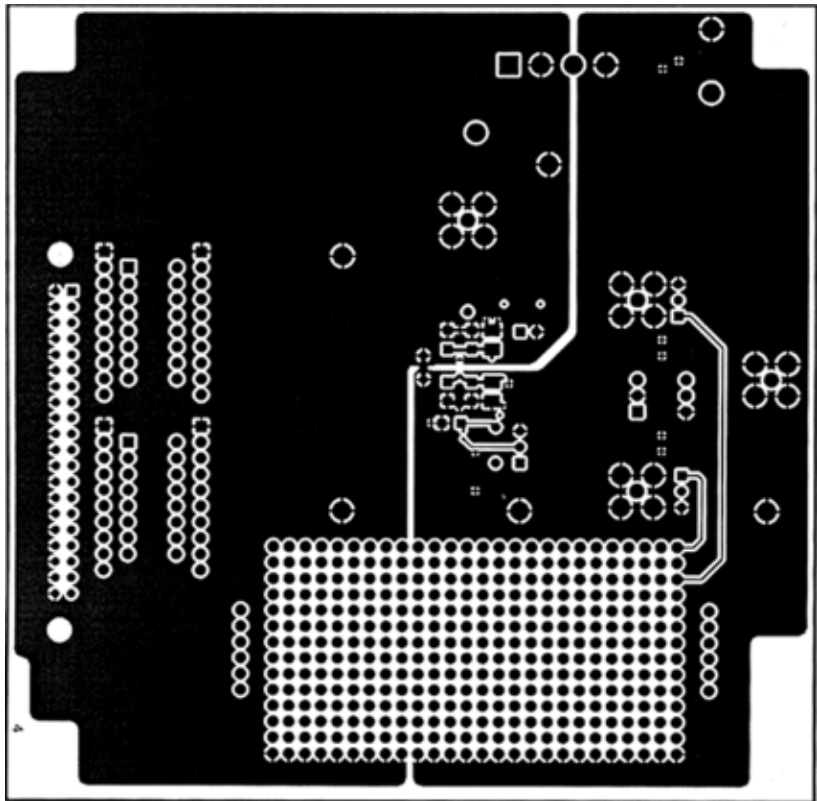


Figure 44. SOIC Evaluation Board—Secondary Side

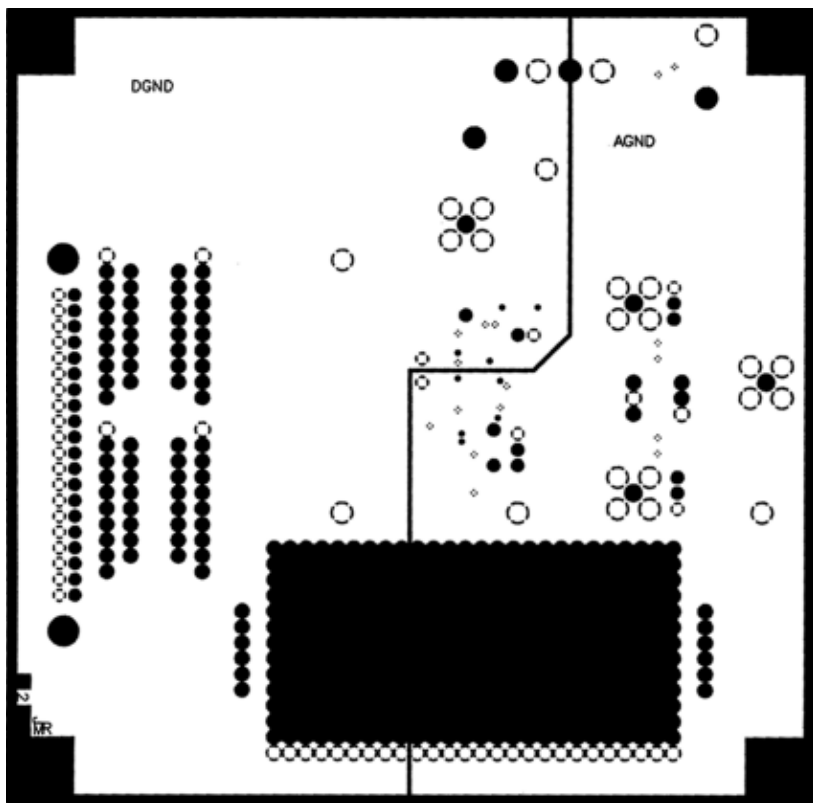


Figure 45. SOIC Evaluation Board—Ground Plane

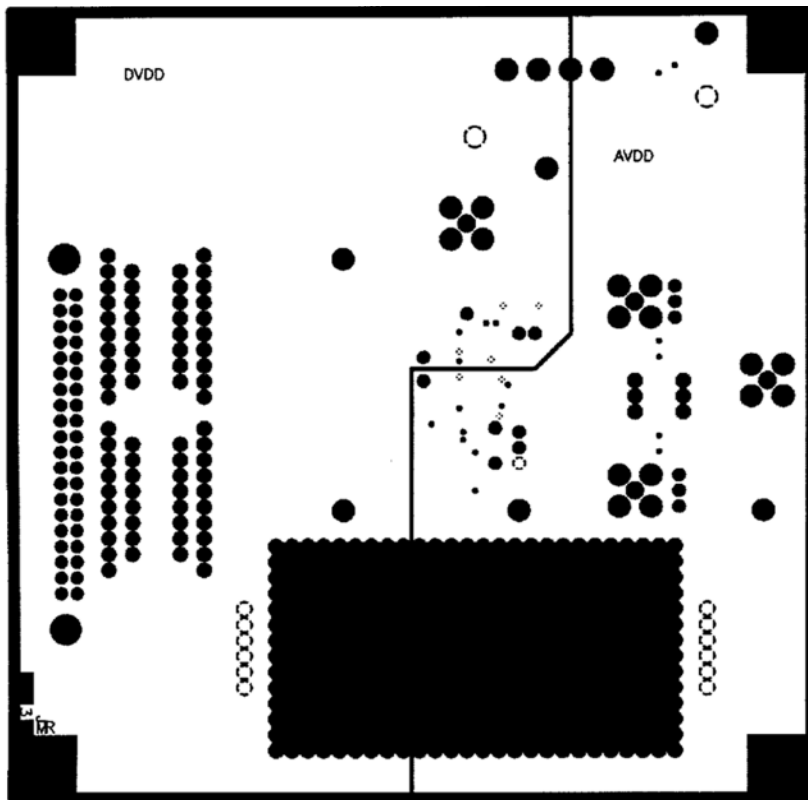


Figure 46. SOIC Evaluation Board—Power Plane

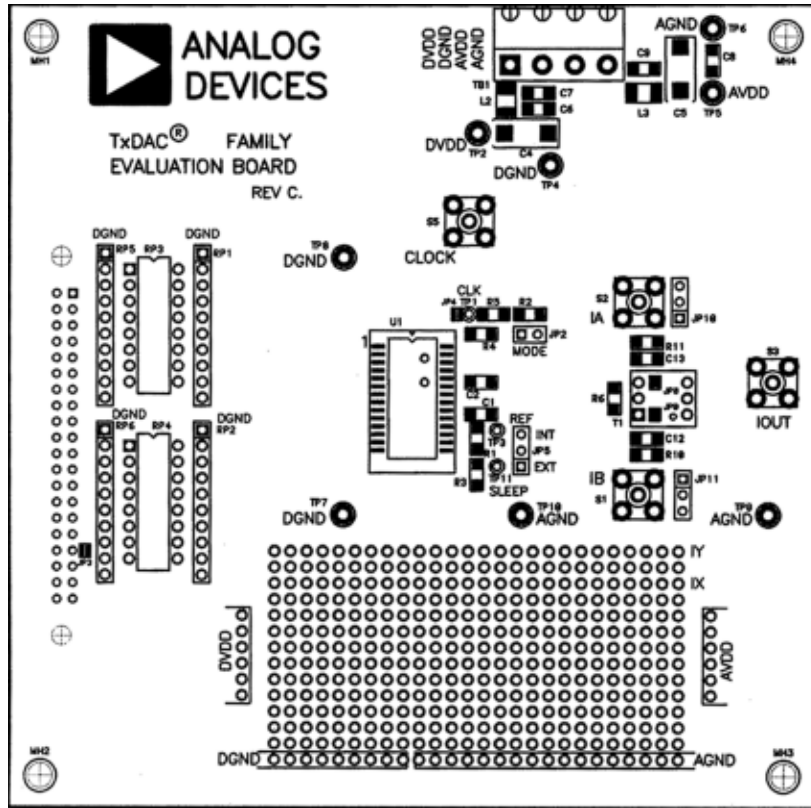


Figure 47. SOIC Evaluation Board Assembly—Primary Side

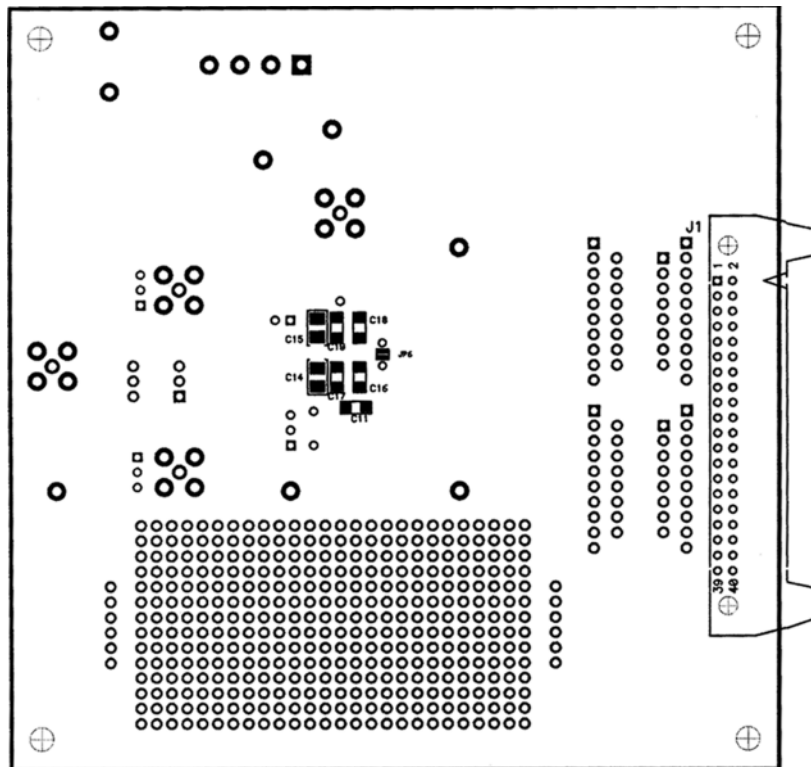


Figure 48. SOIC Evaluation Board Assembly—Secondary Side

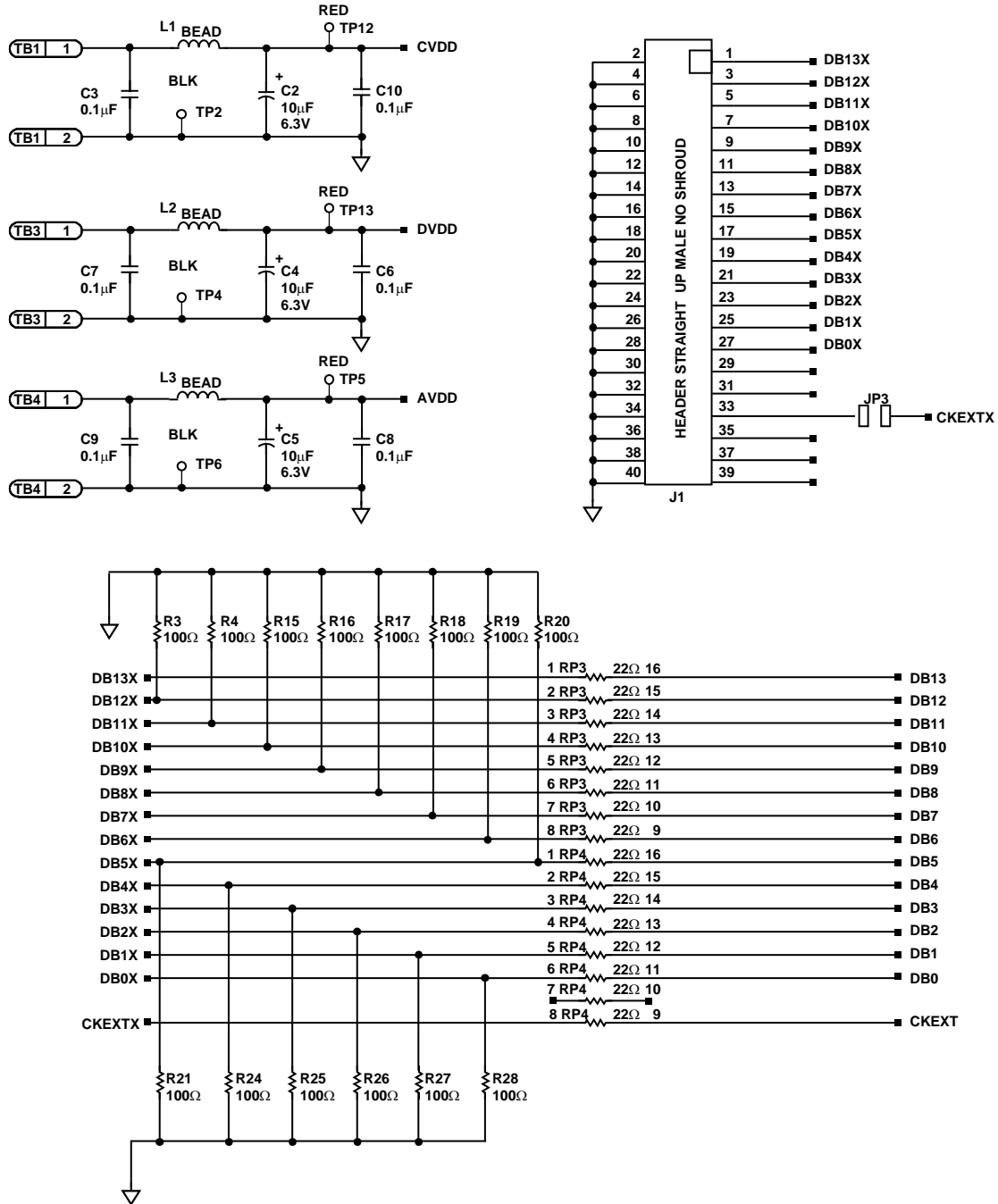


Figure 49. LFCSP Evaluation Board Schematic—Power Supply and Digital Inputs

02915-046

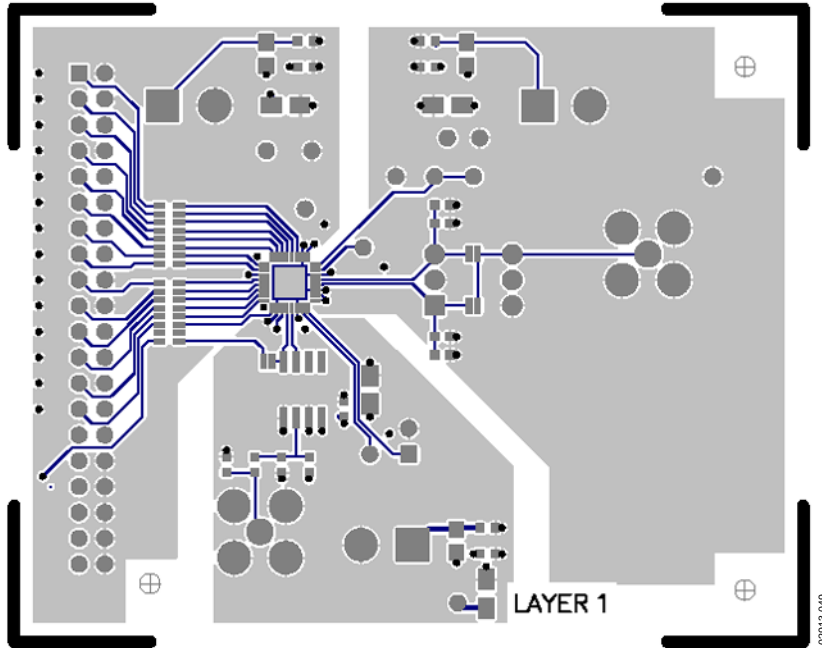


Figure 52. LFCSP Evaluation Board Layout—Primary Side

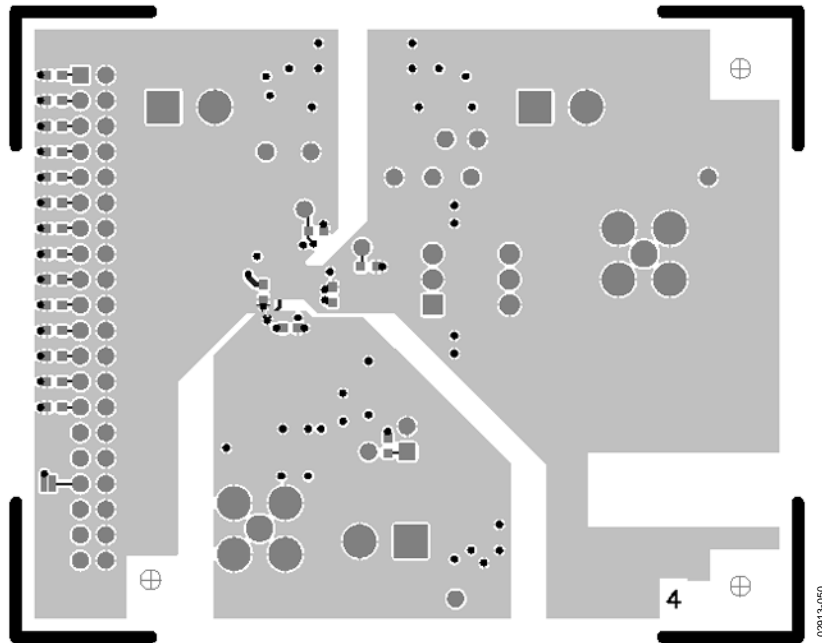


Figure 53. LFCSP Evaluation Board Layout—Secondary Side

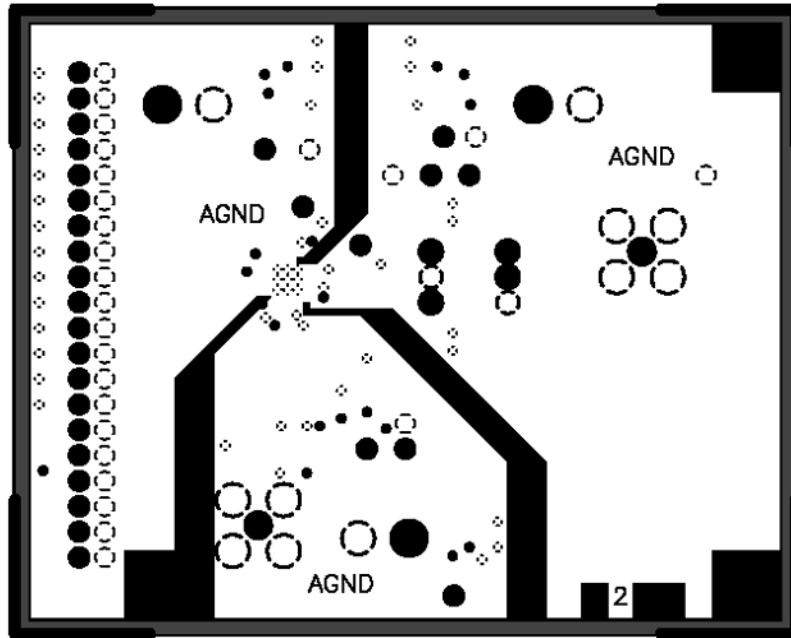


Figure 54. LFCSP Evaluation Board Layout—Ground Plane

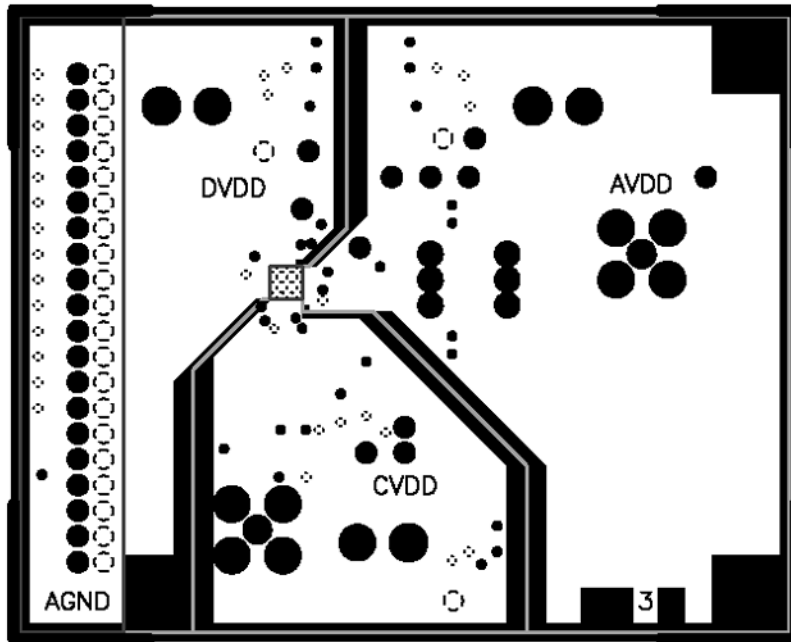


Figure 55. LFCSP Evaluation Board Layout—Power Plane

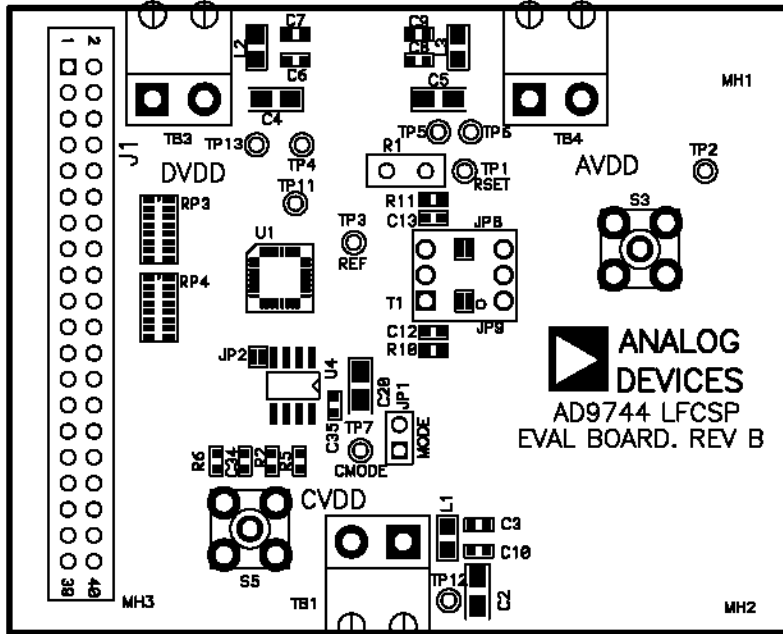


Figure 56. LFCSP Evaluation Board Layout Assembly—Primary Side

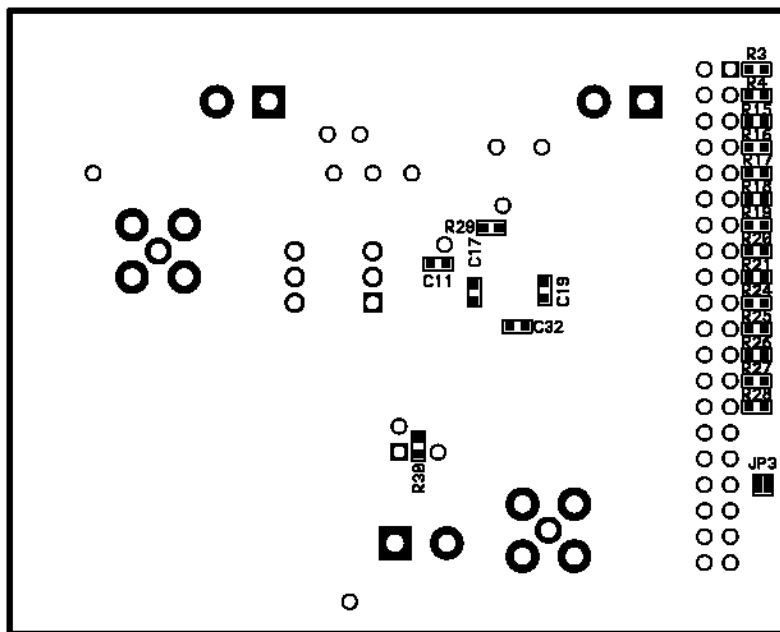
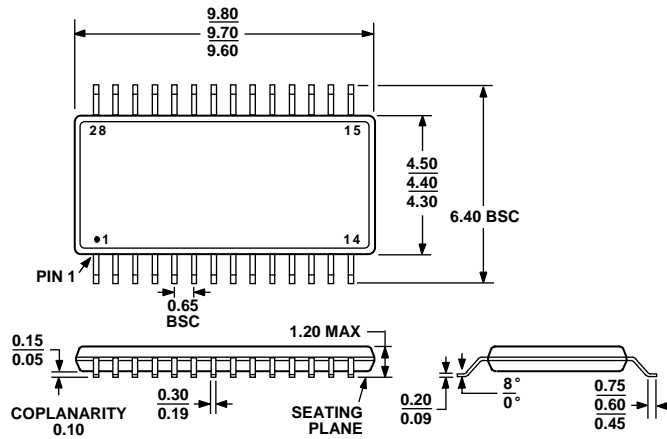


Figure 57. LFCSP Evaluation Board Layout Assembly—Secondary Side

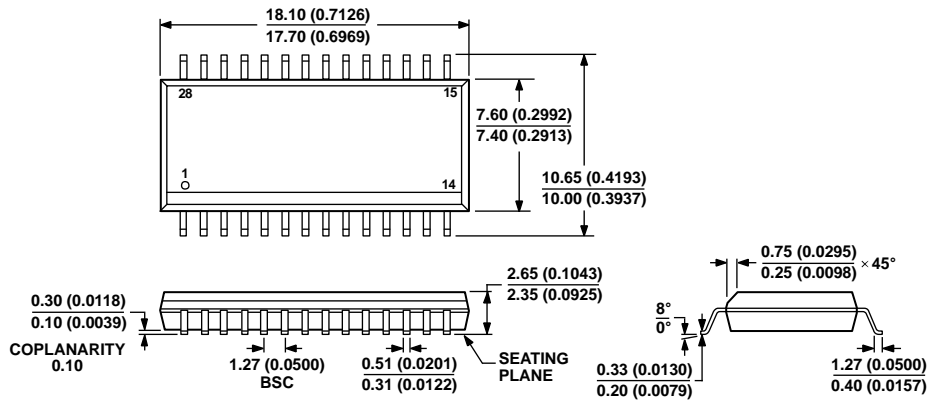
OUTLINE DIMENSIONS



COMPLIANT TO JEDEC STANDARDS MO-153-AE

Figure 58. 28-Lead Thin Shrink Small Outline Package [TSSOP] (RU-28)

Dimensions shown in millimeters

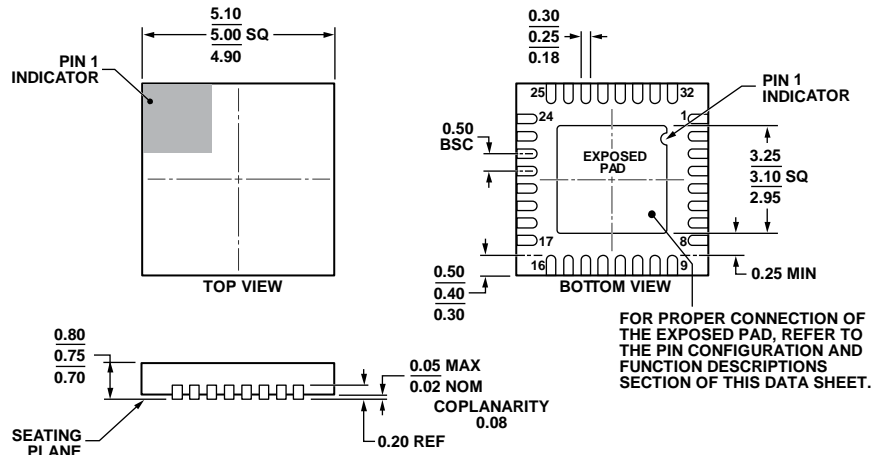


COMPLIANT TO JEDEC STANDARDS MS-013-AE
CONTROLLING DIMENSIONS ARE IN MILLIMETERS; INCH DIMENSIONS (IN PARENTHESES) ARE ROUNDED-OFF MILLIMETER EQUIVALENTS FOR REFERENCE ONLY AND ARE NOT APPROPRIATE FOR USE IN DESIGN.

Figure 59. 28-Lead Standard Small Outline Package [SOIC_W] Wide Body (RW-28)

Dimensions shown in millimeters and (inches)

06-07-2006-A



COMPLIANT TO JEDEC STANDARDS MO-220-WHHD.

112408-A

Figure 60. 32-Lead Lead Frame Chip Scale Package [LFCSP_WQ]
 5 mm × 5 mm Body, Very Very Thin Quad
 (CP-32-7)
 Dimensions shown in millimeters

ORDERING GUIDE

| Model ¹ | Temperature Range | Package Description | Package Options |
|--------------------|-------------------|--------------------------|-----------------|
| AD9744AR | -40°C to +85°C | 28-Lead, 300-Mil SOIC_W | RW-28 |
| AD9744ARZ | -40°C to +85°C | 28-Lead, 300-Mil SOIC_W | RW-28 |
| AD9744ARZRL | -40°C to +85°C | 28-Lead, 300-Mil SOIC_W | RW-28 |
| AD9744ARU | -40°C to +85°C | 28-Lead TSSOP | RU-28 |
| AD9744ARURL7 | -40°C to +85°C | 28-Lead TSSOP | RU-28 |
| AD9744ARUZ | -40°C to +85°C | 28-Lead TSSOP | RU-28 |
| AD9744ARUZRL7 | -40°C to +85°C | 28-Lead TSSOP | RU-28 |
| AD9744ACPZ | -40°C to +85°C | 32-Lead LFCSP_WQ | CP-32-7 |
| AD9744ACPZRL7 | -40°C to +85°C | 32-Lead LFCSP_WQ | CP-32-7 |
| AD9744-EBZ | | Evaluation Board (SOIC) | |
| AD9744ACP-PCBZ | | Evaluation Board (LFCSP) | |

¹ Z = RoHS Compliant Part.

NOTES

Looking for pricing, stock, or lifecycle information?

Click below to explore more details on WIN SOURCE:

 [View AD9744ARZ on WIN SOURCE](#)

 [Analog Devices Inc. Information](#)

Optimize Your Supply Chain with WIN SOURCE Solutions

-  Global Sourcing Solution
-  Obsolete Management
-  Cost Control Management
-  Shortage Management
-  Alternative Solution
-  Excess Inventory Management