

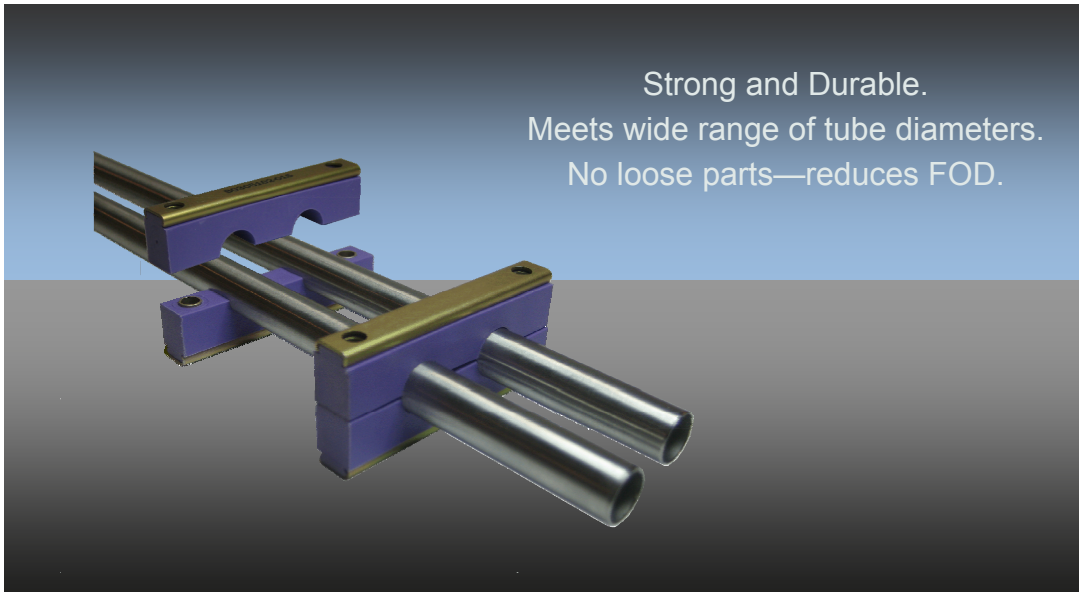


THE DATASHEET OF ALBFLB20200GRIND



Fairlead Blocks

Other System Attachments



High Performance Clamps



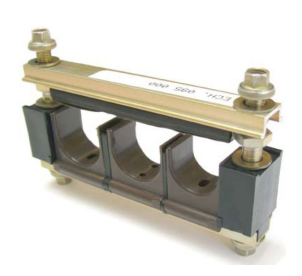
Anchor Supports

Amphenol has over 30 years experience in System Attachment technology, serving the Aerospace, Military, Industrial and extreme environment markets. The company produces high quality products and prides itself on timely and accurate delivery.

Designed to ensure that pipes and tubes are properly secured throughout their entire length, Amphenol's Fairlead Blocks were designed with strength and stability in mind. They provide stability against surges and vibration, and they're developed with material that prevents chaffing. Amphenol's engineering experience enables the company to develop blocks that accommodate a wide range of tube diameters, and the products have no loose parts—reducing the likelihood of FOD. Lastly, Amphenol's service is second to none—offering quick turn-around times and competitive pricing.

| Features and Benefits | Other Amphenol Blocks |
|-----------------------|-----------------------|
|-----------------------|-----------------------|

- Strong and Durable
- Can accommodate wide range of tube diameters
- Various materials are available
- Designed to prevent wire/tube chaffing
- Protects wires/tubes against surges and harsh vibration
- Captive rail design; No loose parts
- Custom design available
- 24/7 engineering capabilities; Quick turn-around time



Conductive Tangent Modular Assembly

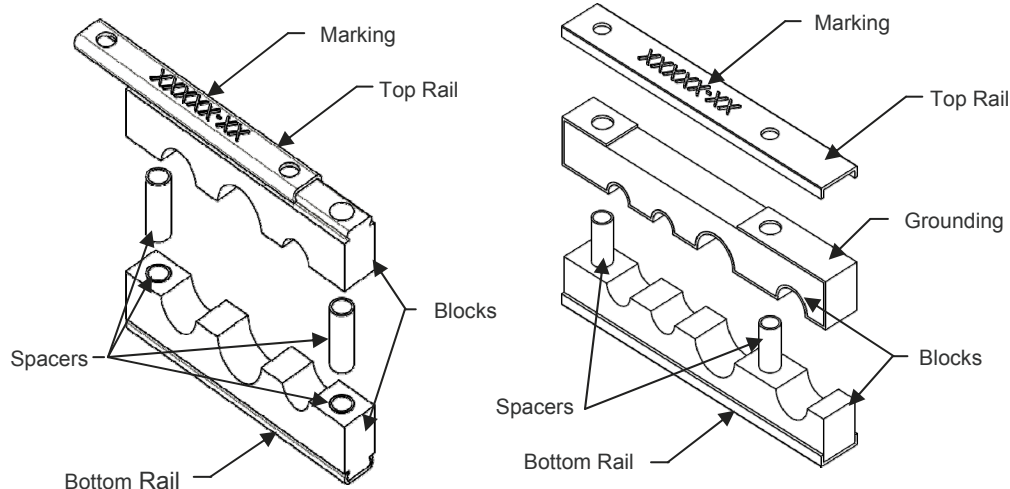


Lightweight Monobloc—with tube sliding feature



Lightweight Monobloc—with extra cushioning feature

Additional Information



RAILS / SPACERS SPECIFICATIONS

| Materials | Coating | Application |
|-----------------------------------|---|------------------|
| Aluminum Alloy 6061-T6 or 2024-T3 | Chemical Conversion Coating per Mil-C-5541 Class 1A | Light Duty |
| Stainless Steel per ASTM A109 | Cadmium Plate per QQ-P416, TYPE II Class 1 | High Performance |
| Carbon Fiber Composite | Contact Amphenol for availability and information. | |

CUSHION BLOCK SPECIFICATIONS

| Materials | Specifications |
|---------------------------------|---|
| Ethylene Propylene Rubber (EPR) | Temperature Range: -65°F– 275°F Color: Purple Duro: 55–75 Standard usage: Commercial Aircraft—especially in areas contaminated with Skydrol. |
| Nitrile Butadienne (Buna-N) | Temperature Range: -65°F– 275°F Color: Black Duro: 55–75 Standard usage: fuel tank applications. |
| Silicone | Temperature Range: -65°F– 275°F Duro: 55–75 Standard usage: fire resistant, low smoke density, low toxicity requirements |
| Fluoro-Silicone | Temperature Range: -65°F– 500°F Duro: 55–75 Standard usage: High temperature areas; engine applications |

Product Customization

Amphenol AirLB NA welcomes inquiries for application-specific modifications to our Fairlead Block product line. Our pipe supports and system attachments are continuously expanding to meet current and future customer needs.

Related Amphenol Products



Jig Board Clamps



Lightening Bushings



Raceways



Contact Information

Amphenol AirLB NA

3335 1ere Rue
St-Hubert, Qc. J3Y 8Y6 Canada
email: info@amphenol-airlb.com
Tel: 450-445-6007

Looking for pricing, stock, or lifecycle information?

Click below to explore more details on WIN SOURCE:

-  [View ALBFLB20200GRIND on WIN SOURCE](#)
-  [Amphenol PCD Information](#)

Optimize Your Supply Chain with WIN SOURCE Solutions

-  Global Sourcing Solution
-  Obsolete Management
-  Cost Control Management
-  Shortage Management
-  Alternative Solution
-  Excess Inventory Management