



**THE DATASHEET OF
BLA6G1011L-200RG,1**



BLA6G1011-200R; BLA6G1011L(S)-200RG

Power LDMOS transistor

Rev. 6 — 1 September 2015

AMPLEON

Product data sheet

1. Product profile

1.1 General description

200 W LDMOS power transistor for avionics applications at frequencies from 1030 MHz to 1090 MHz.

Table 1. Test information

Typical RF performance at $T_{case} = 25\text{ °C}$.

Test signal	f (MHz)	V _{DS} (V)	P _L (W)	G _p (dB)	η _D (%)	t _r (ns)	t _f (ns)
Typical RF performance in a class-AB production test circuit for SOT502A							
pulsed RF	1030 to 1090	28	200	20	65	10	6
Typical RF performance in a Gullwing application for SOT502C and SOT502D							
pulsed RF	1030 to 1090	28	200	20	65	15	6

1.2 Features and benefits

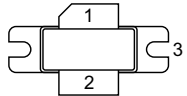
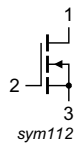
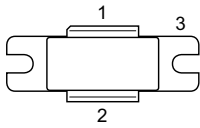
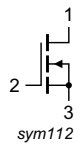
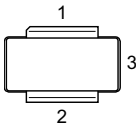
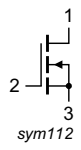
- Typical pulsed RF performance at frequencies from 1030 MHz to 1090 MHz, a supply voltage of 28 V and an I_{DQ} of 100 mA:
 - ◆ Output power = 200 W
 - ◆ Power gain = 20 dB
 - ◆ Efficiency = 65 %
- Easy power control
- Integrated ESD protection
- Enhanced ruggedness
- High efficiency
- Excellent thermal stability
- Designed for broadband operation (1030 MHz to 1090 MHz)
- Internally matched for ease of use
- Compliant to Directive 2002/95/EC, regarding Restriction of Hazardous Substances (RoHS)

1.3 Applications

- Avionics transmitter applications in the 1030 MHz to 1090 MHz frequency range.

2. Pinning information

Table 2. Pinning

Pin	Description	Simplified outline	Graphic symbol
BLA6G1011-200R (SOT502A)			
1	drain		 sym112
2	gate		
3	source [1]		
BLA6G1011L-200RG (SOT502D)			
1	drain		 sym112
2	gate		
3	source [1]		
BLA6G1011LS-200RG (SOT502C)			
1	drain		 sym112
2	gate		
3	source [1]		

[1] Connected to flange.

3. Ordering information

Table 3. Ordering information

Type number	Package		
	Name	Description	Version
BLA6G1011-200R	-	flanged ceramic package; 2 mounting holes; 2 leads	SOT502A
BLA6G1011L-200RG	-	eared flanged ceramic package; 2 mounting holes; 2 leads	SOT502D
BLA6G1011LS-200RG	-	earless flanged ceramic package; 2 leads	SOT502C

4. Limiting values

Table 4. Limiting values

In accordance with the Absolute Maximum Rating System (IEC 60134).

Symbol	Parameter	Conditions	Min	Max	Unit
V_{DS}	drain-source voltage		-	65	V
V_{GS}	gate-source voltage		-0.5	+13	V
I_D	drain current		-	49	A
T_{stg}	storage temperature		-65	+150	°C
T_j	junction temperature		-	225	°C

5. Thermal characteristics

Table 5. Thermal characteristics

Symbol	Parameter	Conditions	Type	Typ	Unit
$Z_{th(j-c)}$	transient thermal impedance from junction to case	$T_{case} = 25\text{ °C};$ $t_p = 50\ \mu\text{s};$ $\delta = 2\ \%$	BLA6G1011-200R	0.085	K/W
			BLA6G1011L-200RG	0.065	K/W
			BLA6G1011LS-200RG	0.065	K/W

6. Characteristics

Table 6. DC characteristics

$T_j = 25\text{ °C}$ unless otherwise specified.

Symbol	Parameter	Conditions	Min	Typ	Max	Unit
$V_{(BR)DSS}$	drain-source breakdown voltage	$V_{GS} = 0\text{ V}; I_D = 0.9\text{ mA}$	65	-	-	V
$V_{GS(th)}$	gate-source threshold voltage	$V_{DS} = 10\text{ V}; I_D = 270\text{ mA}$	1.4	2.0	2.4	V
V_{GSq}	gate-source quiescent voltage	$V_{DS} = 28\text{ V};$ $I_D = 1620\text{ mA}$	1.7	2.2	2.7	V
I_{DSS}	drain leakage current	$V_{GS} = 0\text{ V}; V_{DS} = 28\text{ V}$	-	-	4.2	μA
I_{DSX}	drain cut-off current	$V_{GS} = V_{GS(th)} + 3.75\text{ V};$ $V_{DS} = 10\text{ V}$	40	48	-	A
I_{GSS}	gate leakage current	$V_{GS} = 11\text{ V}; V_{DS} = 0\text{ V}$	-	-	420	nA
g_{fs}	forward transconductance	$V_{DS} = 10\text{ V}; I_D = 9.45\text{ A}$	11	18	26	S
$R_{DS(on)}$	drain-source on-state resistance	$V_{GS} = V_{GS(th)} + 3.75\text{ V};$ $I_D = 9.45\text{ A}$	0.012	0.07	0.093	Ω
C_{rs}	feedback capacitance	$V_{GS} = 0\text{ V}; V_{DS} = 28\text{ V};$ $f = 1\text{ MHz}$	-	3	-	pF

Table 7. RF characteristics

Test signal: Pulsed RF; $t_p = 50\ \mu\text{s}; \delta = 2\ \%; V_{DS} = 28\text{ V}; I_{Dq} = 100\text{ mA}; T_{case} = 25\text{ °C};$ unless otherwise specified; in a class-AB production test circuit for straight leads.

Symbol	Parameter	Conditions	Min	Typ	Max	Unit
P_L	output power		200	-	-	W
G_p	power gain	$P_L = 200\text{ W}$	18	20	-	dB
RL_{in}	input return loss	$P_L = 200\text{ W}$	-	-10	-8	dB
η_D	drain efficiency	$P_L = 200\text{ W}$	58	65	-	%
t_r	rise time	$P_L = 200\text{ W}$	-	10	20	ns
t_f	fall time	$P_L = 200\text{ W}$	-	6	20	ns

6.1 Ruggedness in class-AB operation

The BLA6G1011-200R, BLA6G1011L-200RG and BLA6G1011LS-200RG are enhanced rugged devices and are capable of withstanding a load mismatch corresponding to $V_{SWR} = 10 : 1$ through all phases under the following conditions: $t_p = 50\ \mu\text{s}; \delta = 2\ \%; V_{DS} = 28\text{ V}; I_{Dq} = 100\text{ mA}; P_L = 200\text{ W}; f = 1030\text{ MHz to }1090\text{ MHz}.$

7. Application information

7.1 Impedance information

Table 8. Typical impedance
Typical values unless otherwise specified.

f (MHz)	Z_S (Ω)	Z_L (Ω)
BLA6G1011-200R		
1030	0.57 – j0.94	0.80 – j0.68
1060	0.70 – j1.13	0.84 – j0.52
1090	0.80 – j1.53	0.86 – j0.35
BLA6G1011L-200RG and BLA6G1011LS-200RG		
1030	0.69 – j2.18	0.84 – j0.59
1060	0.86 – j2.36	0.85 – j0.73
1090	1.12 – j2.54	0.86 – j0.87

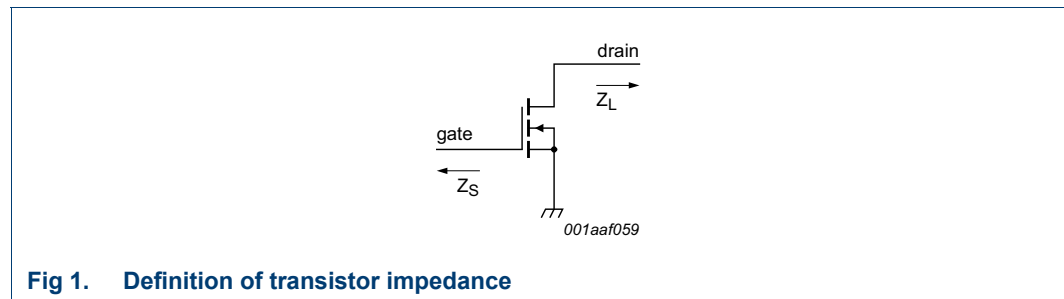
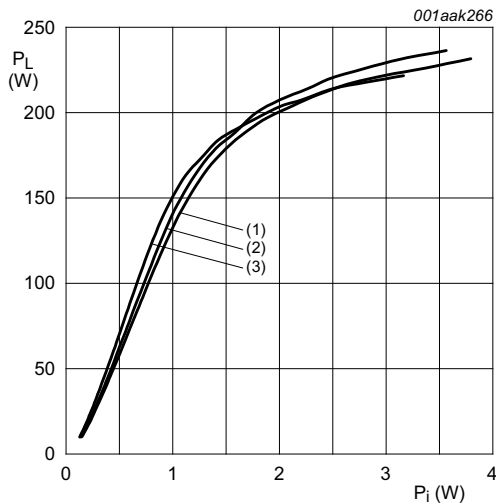


Fig 1. Definition of transistor impedance

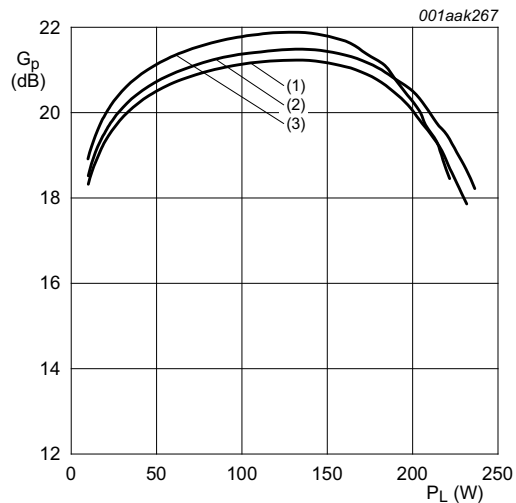
7.2 RF performance



$V_{DS} = 28\text{ V}$; $t_p = 50\ \mu\text{s}$; $\delta = 2\%$; $I_{Dq} = 100\text{ mA}$.

- (1) $f = 1030\text{ MHz}$
- (2) $f = 1060\text{ MHz}$
- (3) $f = 1090\text{ MHz}$

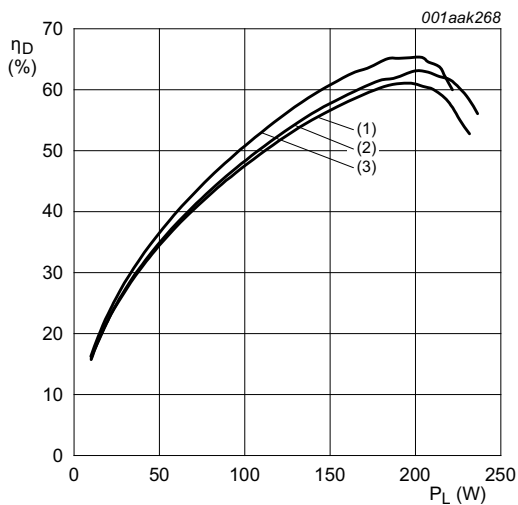
Fig 2. Output power as a function of input power; typical values



$V_{DS} = 28\text{ V}$; $t_p = 50\ \mu\text{s}$; $\delta = 2\%$; $I_{Dq} = 100\text{ mA}$.

- (1) $f = 1030\text{ MHz}$
- (2) $f = 1060\text{ MHz}$
- (3) $f = 1090\text{ MHz}$

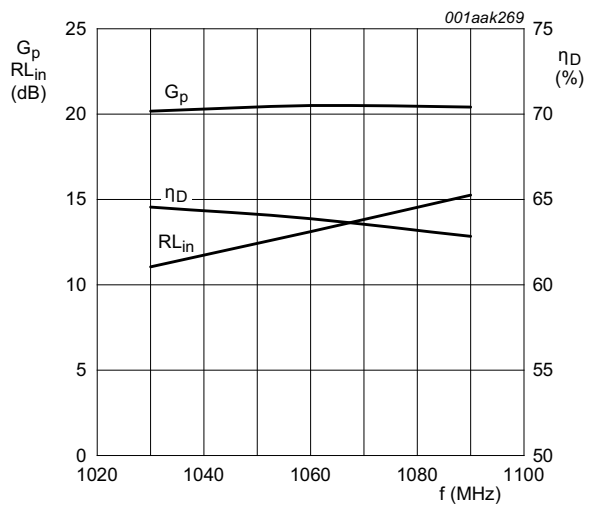
Fig 3. Power gain as a function of output power; typical values



$V_{DS} = 28\text{ V}$; $t_p = 50\ \mu\text{s}$; $\delta = 2\%$; $I_{Dq} = 100\text{ mA}$.

- (1) $f = 1030\text{ MHz}$
- (2) $f = 1060\text{ MHz}$
- (3) $f = 1090\text{ MHz}$

Fig 4. Drain efficiency as a function of output power; typical values

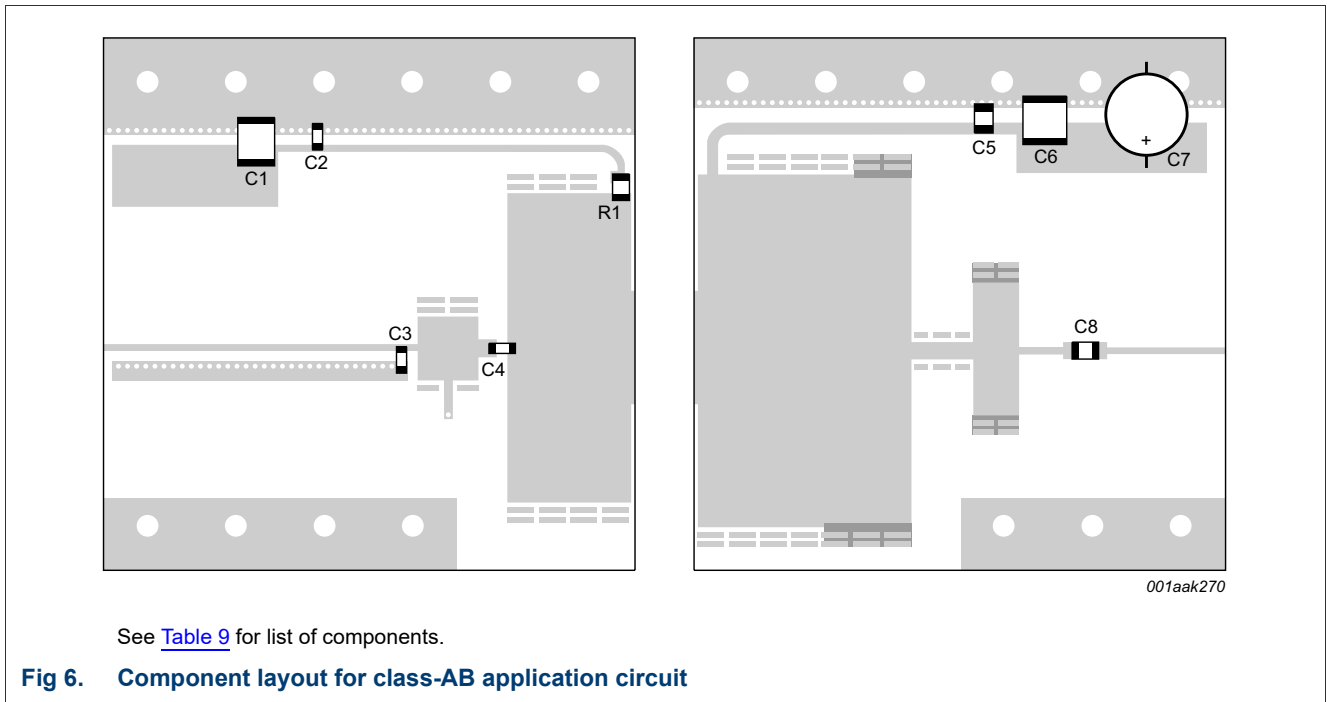


$P_L = 200\text{ W}$; $V_{DS} = 28\text{ V}$; $t_p = 50\ \mu\text{s}$; $\delta = 2\%$; $I_{Dq} = 100\text{ mA}$.

Fig 5. Power gain, input return loss and drain efficiency as function of frequency; typical values

7.3 Application circuit

Remark: For BLA6G1011-200R with straight leads



See [Table 9](#) for list of components.

Fig 6. Component layout for class-AB application circuit

Table 9. List of components

See [Figure 6](#).

Striplines are on a Rogers Duroid 6006 Printed-Circuit Board (PCB); $\epsilon_r = 6.15$ F/m; thickness = 0.64 mm

Component	Description	Value	Remarks
C1, C6	multilayer ceramic chip capacitor	10 μ F	TDK
C2	multilayer ceramic chip capacitor	68 pF	[1]
C3	multilayer ceramic chip capacitor	1.5 pF	[1]
C4	multilayer ceramic chip capacitor	3.9 pF	[1]
C5, C8	multilayer ceramic chip capacitor	30 pF	[2]
C7	electrolytic capacitor	470 μ F; 63 V	
R1	SMD resistor	12 Ω	SMD 1206

[1] American Technical Ceramics type 100A or capacitor of same quality.

[2] American Technical Ceramics type 100B or capacitor of same quality.

8. Package outline

Flanged ceramic package; 2 mounting holes; 2 leads

SOT502A

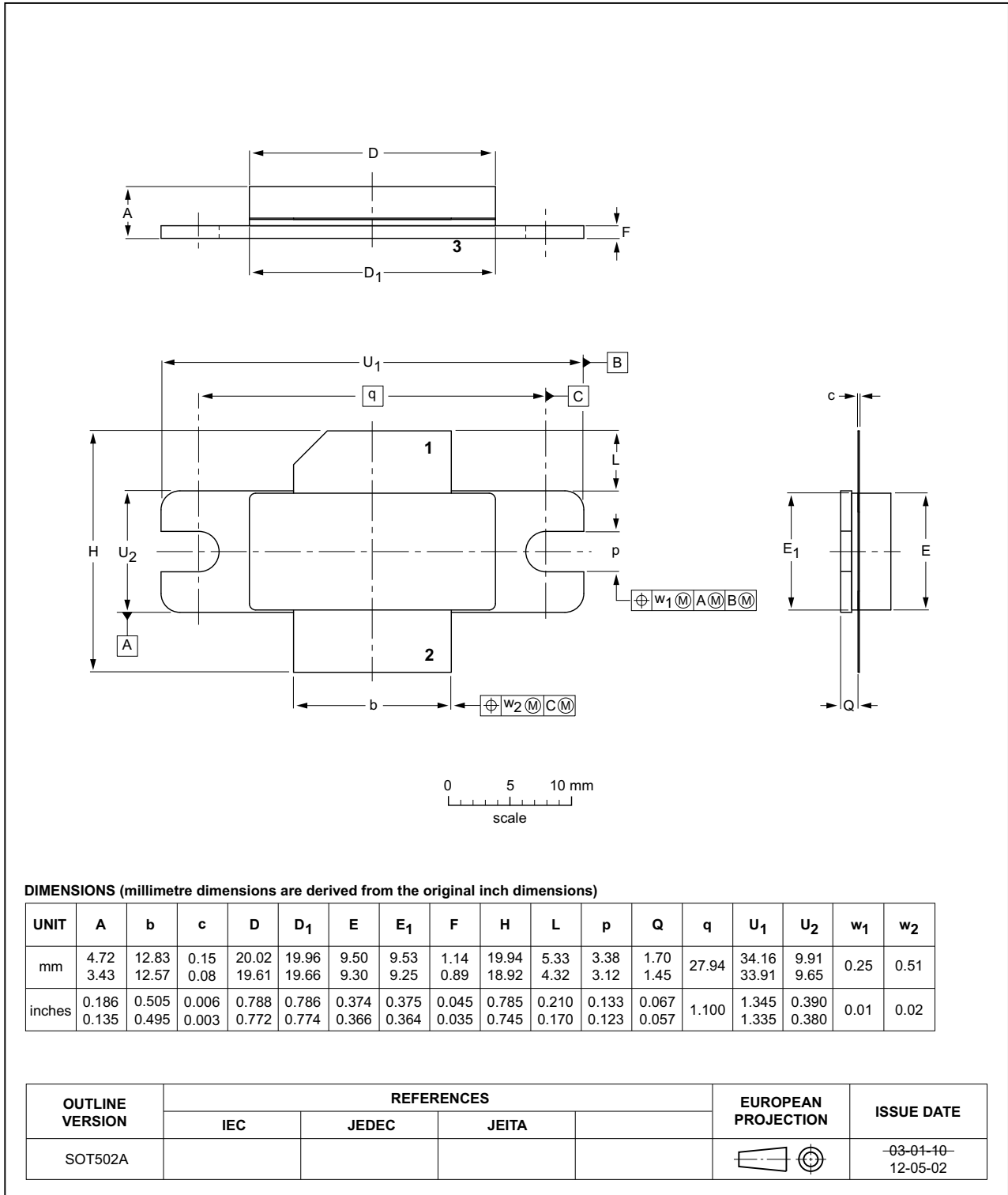


Fig 7. Package outline SOT502A

Earless flanged ceramic package; 2 leads

SOT502C

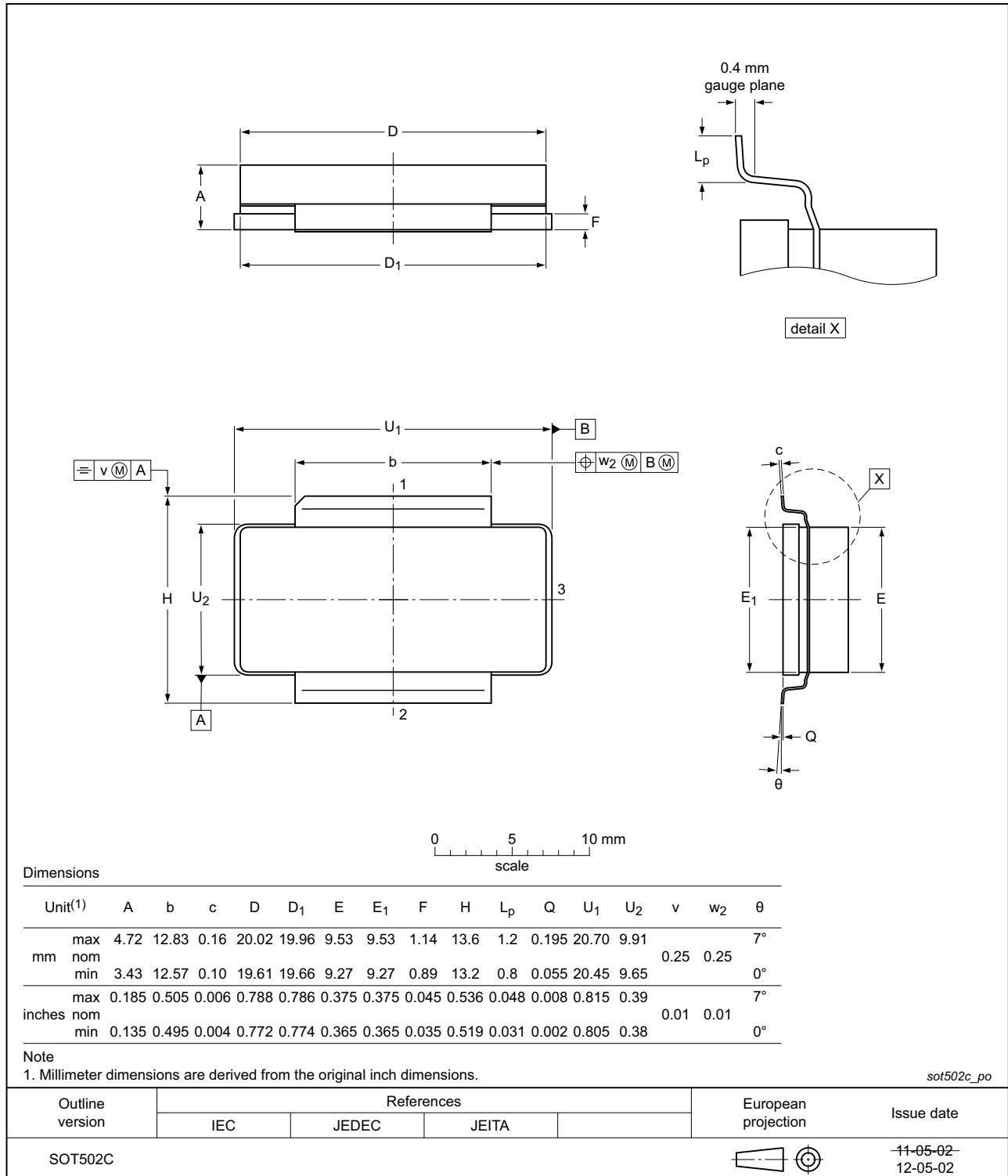


Fig 8. Package outline SOT502C

Eared flanged ceramic package; 2 leads; 2 mounting holes

SOT502D

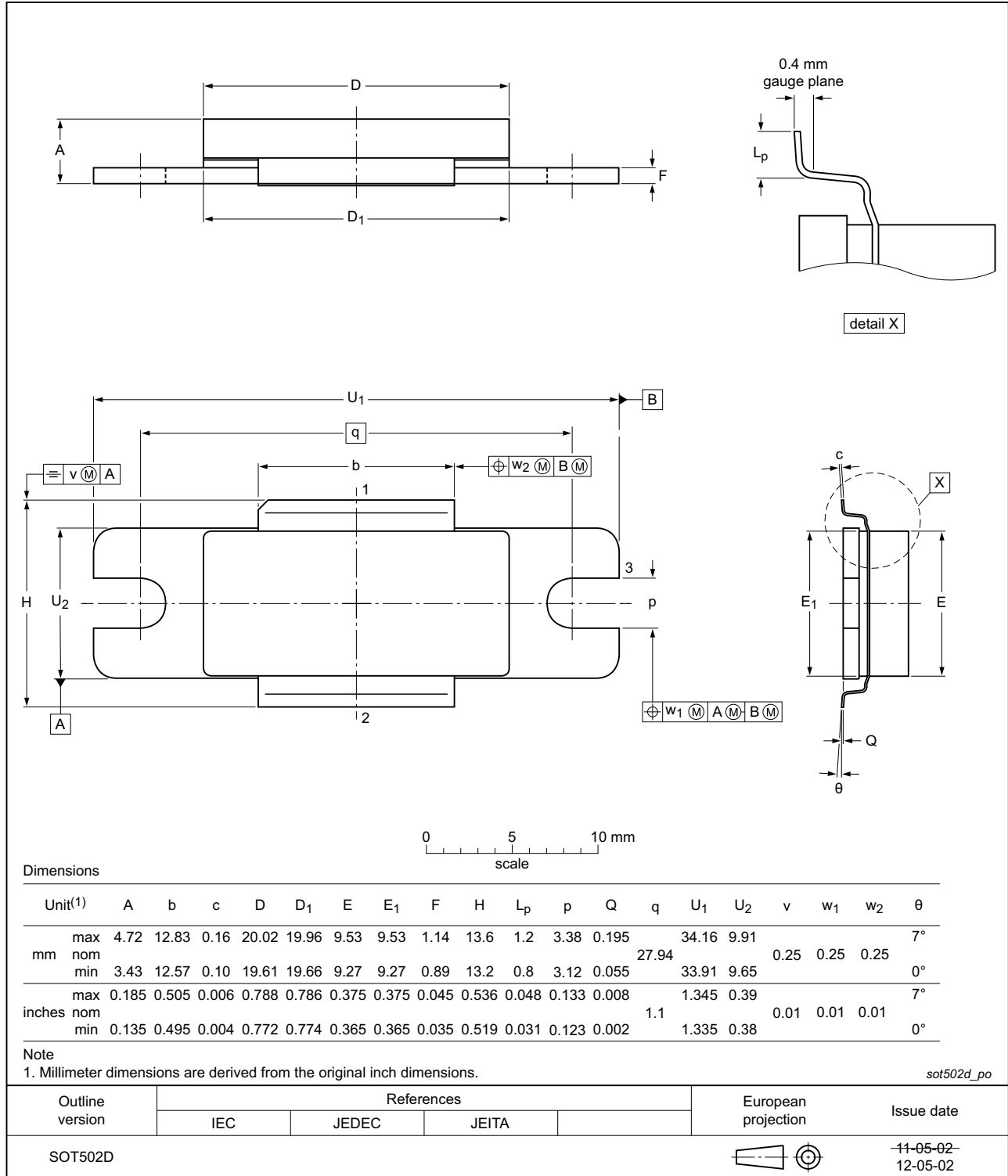



Fig 9. Package outline SOT502D

9. Handling information

CAUTION	
	<p>This device is sensitive to ElectroStatic Discharge (ESD). Observe precautions for handling electrostatic sensitive devices.</p> <p>Such precautions are described in the <i>ANSI/ESD S20.20</i>, <i>IEC/ST 61340-5</i>, <i>JESD625-A</i> or equivalent standards.</p>

10. Abbreviations

Table 10. Abbreviations

Acronym	Description
ESD	ElectroStatic Discharge
LDMOS	Laterally Diffused Metal-Oxide Semiconductor
SMD	Surface Mounted Device
VSWR	Voltage Standing-Wave Ratio

11. Revision history

Table 11. Revision history

Document ID	Release date	Data sheet status	Change notice	Supersedes
BLA6G1011-200R_L-200RG_LS-200RG#6	20150901	Product data sheet		BLA6G1011-200R v.5
Modifications:	<ul style="list-style-type: none"> The format of this document has been redesigned to comply with the new identity guidelines of Ampleon. Legal texts have been adapted to the new company name where appropriate. 			
BLA6G1011-200R_L-200RG_LS-200RG v.5	20150317	Product data sheet		BLA6G1011-200R v.4
BLA6G1011-200R_L-200RG_LS-200RG v.4	20111109	Product data sheet		BLA6G1011-200R v.3
BLA6G1011-200R v.3	20100714	Product data sheet	-	-

12. Legal information

12.1 Data sheet status

Document status ^{[1][2]}	Product status ^[3]	Definition
Objective [short] data sheet	Development	This document contains data from the objective specification for product development.
Preliminary [short] data sheet	Qualification	This document contains data from the preliminary specification.
Product [short] data sheet	Production	This document contains the product specification.

[1] Please consult the most recently issued document before initiating or completing a design.

[2] The term 'short data sheet' is explained in section "Definitions".

[3] The product status of device(s) described in this document may have changed since this document was published and may differ in case of multiple devices. The latest product status information is available on the Internet at URL <http://www.ampleon.com>.

12.2 Definitions

Draft — The document is a draft version only. The content is still under internal review and subject to formal approval, which may result in modifications or additions. Ampleon does not give any representations or warranties as to the accuracy or completeness of information included herein and shall have no liability for the consequences of use of such information.

Short data sheet — A short data sheet is an extract from a full data sheet with the same product type number(s) and title. A short data sheet is intended for quick reference only and should not be relied upon to contain detailed and full information. For detailed and full information see the relevant full data sheet, which is available on request via the local Ampleon sales office. In case of any inconsistency or conflict with the short data sheet, the full data sheet shall prevail.

Product specification — The information and data provided in a Product data sheet shall define the specification of the product as agreed between Ampleon and its customer, unless Ampleon and customer have explicitly agreed otherwise in writing. In no event however, shall an agreement be valid in which the Ampleon product is deemed to offer functions and qualities beyond those described in the Product data sheet.

Ampleon product can reasonably be expected to result in personal injury, death or severe property or environmental damage. Ampleon and its suppliers accept no liability for inclusion and/or use of Ampleon products in such equipment or applications and therefore such inclusion and/or use is at the customer's own risk.

Applications — Applications that are described herein for any of these products are for illustrative purposes only. Ampleon makes no representation or warranty that such applications will be suitable for the specified use without further testing or modification.

Customers are responsible for the design and operation of their applications and products using Ampleon products, and Ampleon accepts no liability for any assistance with applications or customer product design. It is customer's sole responsibility to determine whether the Ampleon product is suitable and fit for the customer's applications and products planned, as well as for the planned application and use of customer's third party customer(s). Customers should provide appropriate design and operating safeguards to minimize the risks associated with their applications and products.

Ampleon does not accept any liability related to any default, damage, costs or problem which is based on any weakness or default in the customer's applications or products, or the application or use by customer's third party customer(s). Customer is responsible for doing all necessary testing for the customer's applications and products using Ampleon products in order to avoid a default of the applications and the products or of the application or use by customer's third party customer(s). Ampleon does not accept any liability in this respect.

Limiting values — Stress above one or more limiting values (as defined in the Absolute Maximum Ratings System of IEC 60134) will cause permanent damage to the device. Limiting values are stress ratings only and (proper) operation of the device at these or any other conditions above those given in the Recommended operating conditions section (if present) or the Characteristics sections of this document is not warranted. Constant or repeated exposure to limiting values will permanently and irreversibly affect the quality and reliability of the device.

Terms and conditions of commercial sale — Ampleon products are sold subject to the general terms and conditions of commercial sale, as published at <http://www.ampleon.com/terms>, unless otherwise agreed in a valid written individual agreement. In case an individual agreement is concluded only the terms and conditions of the respective agreement shall apply. Ampleon hereby expressly objects to applying the customer's general terms and conditions with regard to the purchase of Ampleon products by customer.

No offer to sell or license — Nothing in this document may be interpreted or construed as an offer to sell products that is open for acceptance or the grant, conveyance or implication of any license under any copyrights, patents or other industrial or intellectual property rights.

Export control — This document as well as the item(s) described herein may be subject to export control regulations. Export might require a prior authorization from competent authorities.

12.3 Disclaimers

Limited warranty and liability — Information in this document is believed to be accurate and reliable. However, Ampleon does not give any representations or warranties, expressed or implied, as to the accuracy or completeness of such information and shall have no liability for the consequences of use of such information. Ampleon takes no responsibility for the content in this document if provided by an information source outside of Ampleon.

In no event shall Ampleon be liable for any indirect, incidental, punitive, special or consequential damages (including - without limitation - lost profits, lost savings, business interruption, costs related to the removal or replacement of any products or rework charges) whether or not such damages are based on tort (including negligence), warranty, breach of contract or any other legal theory.

Notwithstanding any damages that customer might incur for any reason whatsoever, Ampleon' aggregate and cumulative liability towards customer for the products described herein shall be limited in accordance with the *Terms and conditions of commercial sale* of Ampleon.

Right to make changes — Ampleon reserves the right to make changes to information published in this document, including without limitation specifications and product descriptions, at any time and without notice. This document supersedes and replaces all information supplied prior to the publication hereof.

Suitability for use — Ampleon products are not designed, authorized or warranted to be suitable for use in life support, life-critical or safety-critical systems or equipment, nor in applications where failure or malfunction of an

Non-automotive qualified products — Unless this data sheet expressly states that this specific Ampleon product is automotive qualified, the product is not suitable for automotive use. It is neither qualified nor tested in accordance with automotive testing or application requirements. Ampleon accepts no liability for inclusion and/or use of non-automotive qualified products in automotive equipment or applications.

In the event that customer uses the product for design-in and use in automotive applications to automotive specifications and standards, customer (a) shall use the product without Ampleon' warranty of the product for such automotive applications, use and specifications, and (b) whenever customer uses the product for automotive applications beyond Ampleon' specifications such use shall be solely at customer's own risk, and (c) customer fully indemnifies Ampleon for any liability, damages or failed product claims resulting from customer design and use of the product for automotive applications beyond Ampleon' standard warranty and Ampleon' product specifications.

Translations — A non-English (translated) version of a document is for reference only. The English version shall prevail in case of any discrepancy between the translated and English versions.

13. Contact information

For more information, please visit:
<http://www.ampleon.com>

12.4 Trademarks

Notice: All referenced brands, product names, service names and trademarks are the property of their respective owners.

Any reference or use of any 'NXP' trademark in this document or in or on the surface of Ampleon products does not result in any claim, liability or entitlement vis-à-vis the owner of this trademark. Ampleon is no longer part of the NXP group of companies and any reference to or use of the 'NXP' trademarks will be replaced by reference to or use of Ampleon's own Any reference or use of any 'NXP' trademark in this document or in or on the surface of Ampleon products does not result in any claim, liability or entitlement vis-à-vis the owner of this trademark. Ampleon is no longer part of the NXP group of companies and any reference to or use of the 'NXP' trademarks will be replaced by reference to or use of Ampleon's own trademarks.

For sales office addresses, please visit:
<http://www.ampleon.com/sales>

14. Contents

1 **Product profile** 1

1.1 General description 1

1.2 Features and benefits 1

1.3 Applications 1

2 **Pinning information** 2

3 **Ordering information** 2

4 **Limiting values** 2

5 **Thermal characteristics** 3

6 **Characteristics** 3

6.1 Ruggedness in class-AB operation 3

7 **Application information** 4

7.1 Impedance information 4

7.2 RF performance 5

7.3 Application circuit 6

8 **Package outline** 7

9 **Handling information** 10

10 **Abbreviations** 10

11 **Revision history** 10

12 **Legal information** 11

12.1 Data sheet status 11

12.2 Definitions 11

12.3 Disclaimers 11

12.4 Trademarks 12

13 **Contact information** 12

14 **Contents** 13

Please be aware that important notices concerning this document and the product(s) described herein, have been included in section 'Legal information'.

© Ampleon The Netherlands B.V. 2015. All rights reserved.

For more information, please visit: <http://www.ampleon.com>
 For sales office addresses, please visit: <http://www.ampleon.com/sales>

Date of release: 1 September 2015

Document identifier: BLA6G1011-200R_L-200RG_LS-200RG#6

Looking for pricing, stock, or lifecycle information?

Click below to explore more details on WIN SOURCE:

- ⊖ [View BLA6G1011L-200RG,1 on WIN SOURCE](#)
- ⊖ [Ampleon USA Inc. Information](#)

Optimize Your Supply Chain with WIN SOURCE Solutions

- ✓ Global Sourcing Solution
- ✓ Obsolete Management
- ✓ Cost Control Management
- ✓ Shortage Management
- ✓ Alternative Solution
- ✓ Excess Inventory Management