



**THE DATASHEET OF  
BWR-15/165-D24-C**





Typical units

## FEATURES

- Small size, 1" x 1" x 0.45"
- Full 5 Watts output power
- No external components required
- Drop-in replacements for many standard, 2" x 1" DC-DCs
- Wide input voltage ranges: 18-36V or 36-72V
- Standard output voltages:  $\pm 5$ ,  $\pm 12$ ,  $\pm 15$  Volts
- Guaranteed efficiencies to 80%
- Fully regulated and isolated (1000Vdc guaranteed)
- Output overvoltage protection and current limiting
- $-25$  to  $+95^{\circ}\text{C}$  operating temperature
- Shielded cases (5 sides)
- UL1950, CSA 22.2 No. 234, and IEC950
- Modifications and customs for OEMs

## PRODUCT OVERVIEW

The migration to distributed power is accelerating. The critical need for accurate voltages, tight regulation and rapid transient response is propelling the move to power processing at the "point-of-use" with low-power DC-DC converters physically located right at their loads.

MPS's miniature, full featured, 5 Watt BWR Models were specifically designed for today's demanding distributed power architectures in aerospace, marine, telecom and computer applications. The converters' small size (1" x 1" x 0.45"), full 5 Watt output capability and low cost give system architects unprecedented design and layout flexibility.

Occupying less than 0.5in<sup>3</sup> total volume, these extremely compact, fully regulated and isolated (1000Vdc) modules are available with  $\pm 5$ ,  $\pm 12$  or  $\pm 15$  Volt outputs. Input voltage ranges are either 18-36 Volts ("D24" models) or 36-72 Volts ("D48" models).

Although their overall size is 50-75% smaller than many similarly rated power modules, these 1" x 1" BWR Models are exact, drop-in, pin-for-pin replacements for many standard 2" x 1" and 2" x 2", 5 Watt modules. They achieve their small size and low cost by exploiting a novel feedback approach that does not depend upon traditional optocoupler techniques.

All models are 5-side shielded and have a non-conductive baseplate that permits pc-card runs to be placed beneath the package. Units are assembled using high-speed automated SMT techniques and are fully encapsulated with thermally conductive potting compound. Every unit is electrically tested before and after encapsulation, 100% burned-in under full load, hi-pot tested, and final-electrical tested prior to shipment. Every unit meets MPS's traditional high standards for quality and long-term reliability.

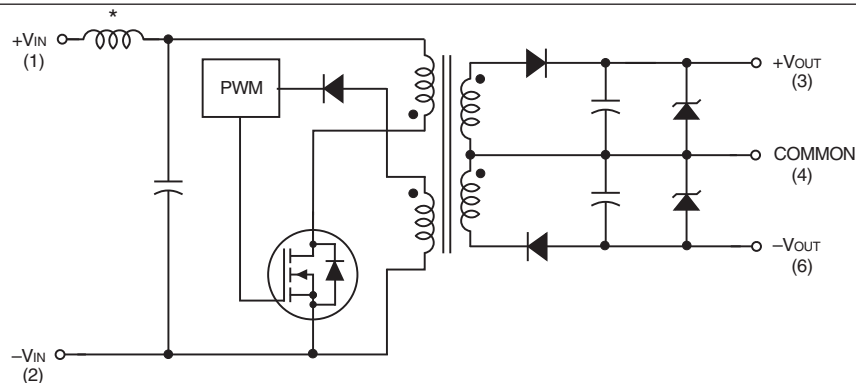


Figure 1. Simplified Schematic

\* "D24" models only  
Typical topology is shown.



**PERFORMANCE SPECIFICATIONS SUMMARY AND ORDERING GUIDE** ①

Model	Output				Input			Efficiency		Package (Case/ Pinout)		
	V <sub>OUT</sub> (Volts)	I <sub>OUT</sub> (mA, Max.)	R/N (mVp-p) ②		Regulation (Max.) ③		V <sub>IN</sub> Nom. (Volts)	Range (Volts)	I <sub>IN</sub> ④ (mA)		Full Load	
			Typ.	Max.	Line	Load					Min.	Typ.
<b>Available</b> BWR-5/500-D24-C	± 5	±500	100	150	±2%	±2%	24	18-36	25/282	75%	78%	C7, P4
<b>Discontinued</b> BWR-5/500-D48-C	± 5	±500	100	120	±2%	±2%	48	36-72	25/141	75%	78%	C7, P4
<b>Discontinued</b> BWR-12/210-D24-C	±12	±210	100	150	±2%	±2%	24	18-36	25/264	80%	82%	C7, P4
<b>Discontinued</b> BWR-12/210-D48-C	±12	±210	100	150	±2%	±2%	48	36-72	25/133	80%	82%	C7, P4
<b>Discontinued</b> BWR-15/165-D24-C	±15	±165	100	150	±2%	±2%	24	18-36	25/260	80%	83%	C7, P4
<b>Discontinued</b> BWR-15/165-D48-C	±15	±165	100	150	±2%	±2%	48	36-72	25/130	80%	82%	C7, P4

- ① Typical at T<sub>A</sub> = +25°C under nominal line voltage and full-load conditions unless otherwise noted.
- ② Ripple/Noise (R/N) measured over a 20MHz bandwidth.
- ③ Balanced loads, 20% to 100% load.
- ④ Nominal line voltage, no-load/full-load conditions.
- ⑤ See part number structure below.

**PART NUMBER STRUCTURE**

**B WR - 15 / 165 - D24 - C**

**Output Configuration:**

B = Bipolar

Wide Range Input

**Nominal Output Voltages:**

±5, ±12 or ±15 Volts

**RoHS-6 Compliance\***

**Input Voltage Range:**

D24 = 18-36 Volts (24V nominal)

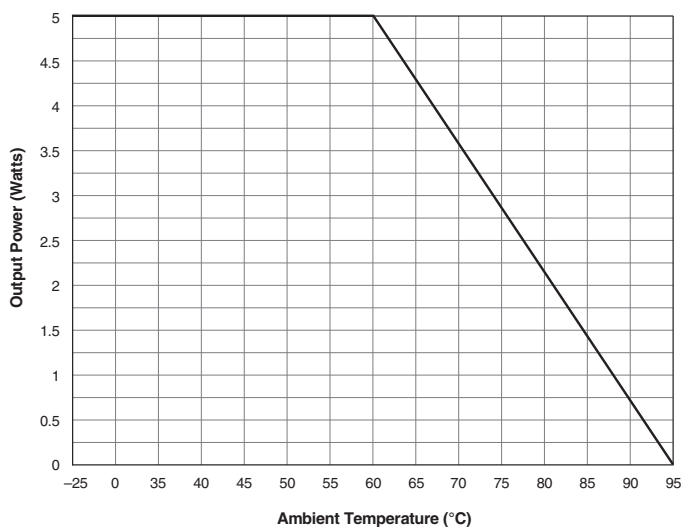
D48 = 36-72 Volts (48V nominal)

**Maximum Output Current**

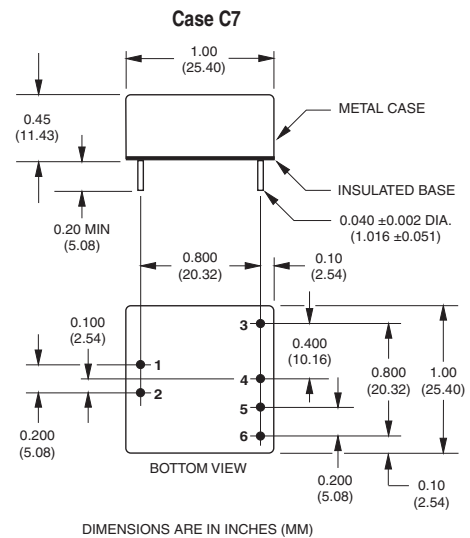
in mA from each output

Contact Murata Power Solutions for availability.

**TEMPERATURE DERATING**



**MECHANICAL SPECIFICATIONS**



**I/O Connections**

Pin	Function P4
1	+Input
2	-Input
3	+Output
4	Common
5	No Pin
6	-Output

**Notes:**

For "D24" models, the case is connected to pin 2 (-V<sub>IN</sub>).

For "D48" models, the case is connected to pin 1 (+V<sub>IN</sub>).

### Performance/Functional Specifications

Typical @ T<sub>A</sub> = +25°C under nominal line voltage and full-load conditions, unless noted. ①

Input	
<b>Input Voltage Range:</b>	
"D24" Models	18-36 Volts (24V nominal)
"D48" Models	36-72 Volts (48V nominal)
<b>Input Current</b>	See Ordering Guide
<b>Input Filter Type</b> ②	LC on "D24" models C on "D48" models
<b>Reverse-Polarity Protection</b>	Yes (Instantaneous, 6A maximum)
Output	
<b>V<sub>OUT</sub> Accuracy</b> (50% load):	
±5V Outputs	±1.5%, maximum
±12/±15V Outputs	±1%, maximum
<b>Temperature Coefficient</b>	±0.02% per °C
<b>Ripple/Noise</b> (20MHz BW) ②	See Ordering Guide
<b>Line Regulation</b>	See Ordering Guide
<b>Load Regulation</b>	See Ordering Guide
<b>Efficiency</b>	See Ordering Guide
<b>Isolation Voltage</b> ③	1000Vdc, minimum
<b>Current Limiting</b>	Auto-recovery
<b>Overvoltage Protection</b>	Zener/transorb clamps
Dynamic Characteristics	
Transient Response (50% load step)	500µsec max. to ±1.5% of final value
<b>Switching Frequency</b>	170kHz (±10kHz)
Environmental	
<b>Operating Temperature</b> (ambient): ④	
Without Derating	-25 to +60°C
With Derating	to +95°C (See Derating Curve)
<b>Storage Temperature</b>	-55 to +125°C
Physical	
<b>Dimensions</b>	1" x 1" x 0.45" (25.4 x 25.4 x 11.4mm)
<b>Shielding</b>	5-sided
<b>Case Connection:</b>	
"D24" Models	Pin 2 (-V <sub>IN</sub> )
"D48" Models	Pin 1 (+V <sub>IN</sub> )
<b>Case Material</b>	Corrosion resistant steel with epoxy-based enamel finish
<b>Pin Material</b>	Gold-plated copper alloy
<b>Weight</b>	0.7 ounces (20 grams)
<b>Flammability</b>	UL 94-0

① These power converters require a minimum 20% loading to maintain specified regulation. Operation under no-load conditions will not damage these devices, however they may not meet all listed specifications.

② Application-specific internal input/output filtering can be recommended and perhaps added internally on request. Contact MPS Applications Engineering for details.

③ Units can be screened or modified for higher guaranteed isolation voltages. Contact MPS Applications Engineering for details.

④ Units can be screened for lower-temperature operation. Contact MPS Applications Engineering for details.

### Absolute Maximum Ratings

<b>Input Voltage:</b>	
"D24" Models	44 Volts
"D48" Models	88 Volts
<b>Input Reverse-Polarity Protection</b>	Current must be <6A. Brief duration only. Fusing recommended.
<b>Output Overvoltage Protection</b>	
±5V Outputs	6.8 Volts, limited duration
±12V Outputs	15 Volts, limited duration
±15V Outputs	18 Volts, limited duration
<b>Output Current</b>	Current limited. Max. current and short-circuit duration are model dependent.
<b>Storage Temperature</b>	-55 to +125°C
<b>Lead Temperature</b> (soldering, 10 sec.)	+300°C

These are stress ratings. Exposure of devices to any of these conditions may adversely affect long-term reliability. Proper operation under conditions other than those listed in the Performance/Functional Specifications Table is not implied.

### Technical Notes

#### Floating Outputs

Since these are isolated DC-DC converters, their outputs are "floating." Any BWR model may be configured to produce an output of 10V, 24V or 30V (for ±5V, ±12V or ±15V models, respectively) by applying the load across the +Output and -Output (pins 3 and 6), with either output grounded. The Common (pin 4) should be left open. Minimum 20% loading is recommended under these conditions.

#### Filtering and Noise Reduction

All BWR 5 Watt DC-DC Converters achieve their rated ripple and noise specifications without the use of external input/output capacitors. In critical applications, input/output ripple and noise may be further reduced by installing low-ESR, tantalum or electrolytic capacitors across the input and/or output terminals. Output capacitors should be connected between their respective output pin (pin 3 or 6) and Common (pin 4) as shown in Figure 2. The capacitors should be located as close to the power converters as possible. Typical values are listed below. In many applications, using values greater than those listed will yield better results.

#### To Reduce Input Ripple

"D24" Models	20µF, 50V
"D48" Models	10µF, 100V

#### To Reduce Output Ripple

±5V Outputs	47µF, 10V, Low ESR
±12/15V Outputs	33µF, 20V, Low ESR

In critical, space-sensitive applications, MPS may be able to tailor the internal input/output filtering of these units to meet your specific requirements. Contact our Applications Engineering Group for additional details.

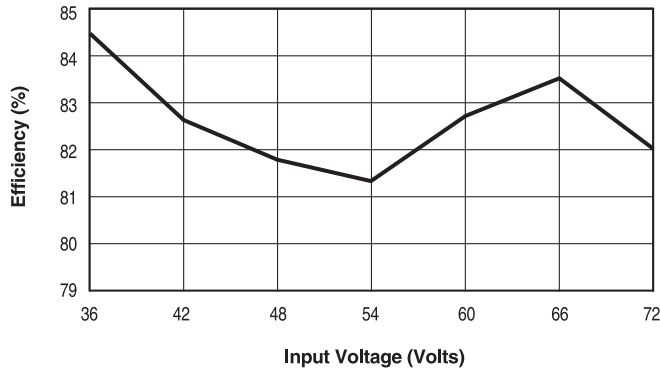
**Typical Performance Curves (T<sub>A</sub> = +25°C)**

The performance curves below were derived from actual test data for a single model number (BWR-15/165-D24). Since all devices in this series have the same circuit topology, the performance curves are representative of all devices.

**EFFICIENCY VS. INPUT VOLTAGE AND OUTPUT LOAD**

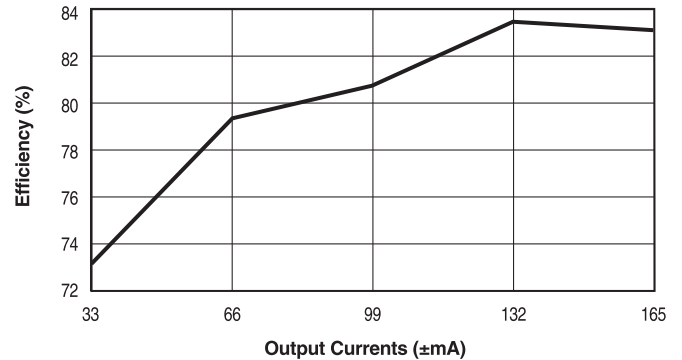
**Efficiency vs. Input Voltage**

(Full-load conditions. Guaranteed efficiency = 80% at V<sub>IN</sub> = 48V)



**Efficiency vs. Output Load**

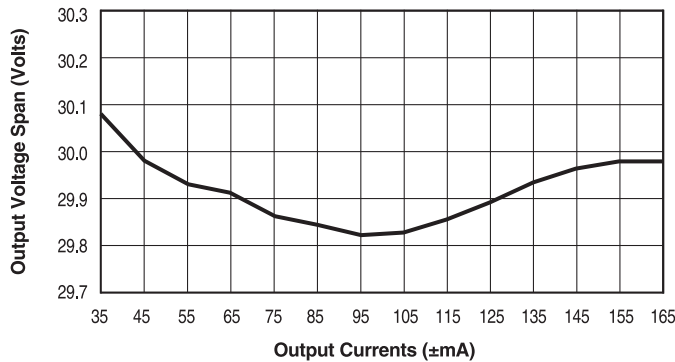
(V<sub>IN</sub> = nominal = 48V, Guaranteed efficiency at full load = 80%)



**LOAD REGULATION**

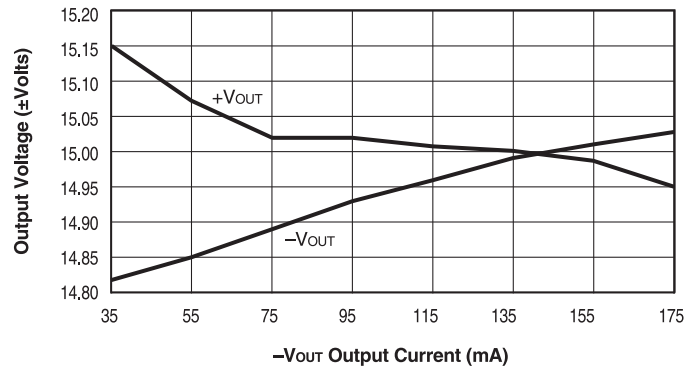
**Output Voltage vs. Load (Balanced)**

(V<sub>IN</sub> = nominal = 48V, Nominal V<sub>OUT</sub> span = 30V)



**Output Voltage vs. Load (Unbalanced)**

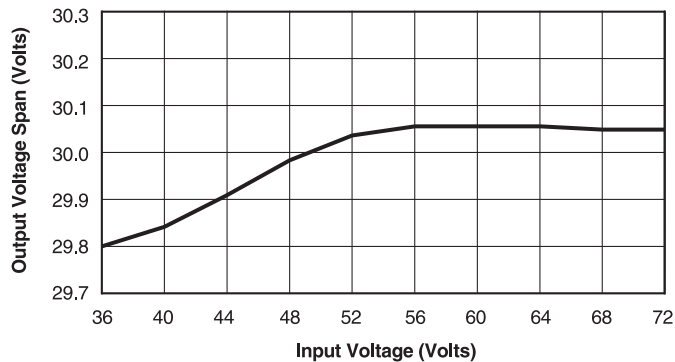
(V<sub>IN</sub> = nominal = 24V, Load on +V<sub>OUT</sub> fixed at 165mA)



**LINE REGULATION**

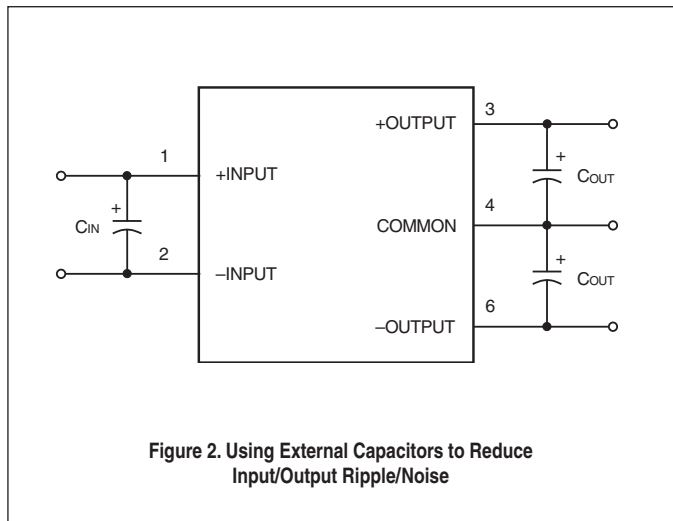
**Output Voltage vs. Input Voltage**

(Full-load conditions. Nominal V<sub>OUT</sub> span = 30V)



**EMI RADIATED EMISSIONS**

If you're designing with EMC in mind, all MPS's BWR 5 Watt DC-DC's have been characterized for radiated/conducted emissions in our new EMI/EMC lab. Testing is conducted in an EMCO 5305 GTEM test cell utilizing EMCO automated EMC test software. Radiated emissions are tested to the limits of FCC Part 15, Class B and CISPR 22 (EN 55022) Class B. Correlation to other specifications can be supplied upon request. Radiated emissions plots to FCC and CISPR 22 appear below. Its performance is typical of all models in the Family. Published EMC test reports are available for each model number. Contact MPS's Applications Engineering Department for details.



**Figure 2. Using External Capacitors to Reduce Input/Output Ripple/Noise**

**Input Fusing**

Certain applications and/or safety agencies may require the installation of fuses at the inputs of power conversion components. For MPS BWR 5 Watt DC-DC Converters, you should use slow-blow type fuses with values no greater than 0.5A.

**CUSTOM CAPABILITIES**

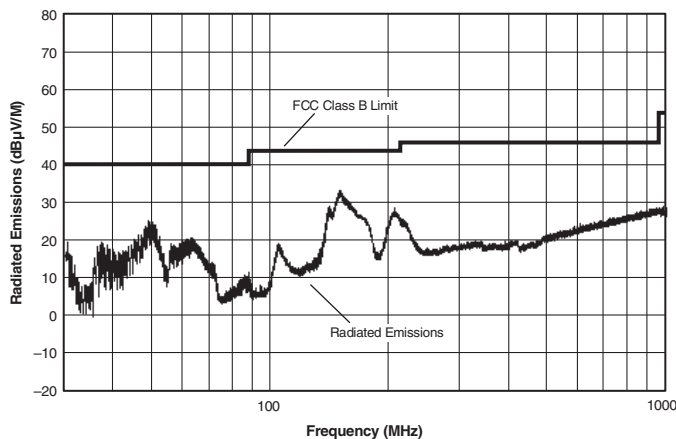
MPS's world-class design, development and manufacturing team stands ready to work with you to deliver the exact power converter you need for your demanding, large volume, OEM applications. And . . . we'll do it on time and within budget!

Our experienced applications and design staffs; quick-turn prototype capability; highly automated, SMT assembly facilities; and in-line SPC quality-control techniques combine to give us the unique ability to design and deliver any quantity of power converters to the highest standards of quality and reliability.

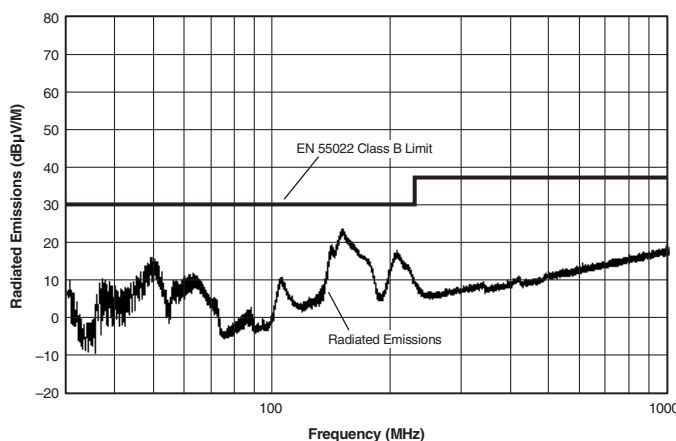
We have compiled a large library of DC-DC designs that are currently used in a variety of telecom, medical, computer, railway, aerospace and industrial applications. We may already have the converter you need.

Contact us. Our goal is to provide you the highest-quality, most cost-effective power converters available.

**Radiated Emissions  
FCC Part 15 Class B, 3 Meters  
Converter Output = ±15Vdc @ ±132mA**



**Radiated Emissions  
EN 55022 Class B, 10 Meters  
Converter Output = ±15Vdc @ ±132mA**



Murata Power Solutions, Inc.  
11 Cabot Boulevard, Mansfield, MA 02048-1151 U.S.A.  
ISO 9001 and 14001 REGISTERED



**This product is subject to the following operating requirements and the Life and Safety Critical Application Sales Policy:**  
Refer to: <http://www.murata-ps.com/requirements/>

Murata Power Solutions, Inc. makes no representation that the use of its products in the circuits described herein, or the use of other technical information contained herein, will not infringe upon existing or future patent rights. The descriptions contained herein do not imply the granting of licenses to make, use, or sell equipment constructed in accordance therewith. Specifications are subject to change without notice. © 2014 Murata Power Solutions, Inc.

## Looking for pricing, stock, or lifecycle information?

Click below to explore more details on WIN SOURCE:

- [View BWR-15/165-D24-C on WIN SOURCE](#)
- [Murata Power Solutions Inc. Information](#)

## Optimize Your Supply Chain with WIN SOURCE Solutions

- ✓ Global Sourcing Solution
- ✓ Obsolete Management
- ✓ Cost Control Management
- ✓ Shortage Management
- ✓ Alternative Solution
- ✓ Excess Inventory Management