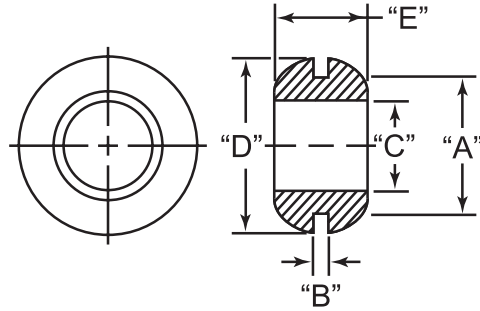




**THE DATASHEET OF
GRO025121A**



GRO
Flexible PVC Hole Grommet



- Non-staining; resistant to ozone, acids and sunlight
- Excellent aging quality

Material: PVC Color: Black										
Part No.	"A" Panel Hole Ø	"B" Panel Thickness	"C" I.D.	"D" O.D.	"E" Depth	Shore A Hardness	Standard Pack			
GRO018031A	.188 (4.8)	.031 (.8)	.109 (2.8)	.313 (7.9)	.188 (4.8)	55	10,000			
GRO018061A		.063 (1.6)	.125 (3.2)	.313 (7.9)	.250 (6.4)					
GRO023041A	.234 (6.0)	.047 (1.2)	.125 (3.2)	.344 (8.7)	.156 (4)	43				
GRO025031A	.250 (6.4)	.031 (.8)	.156 (4)	.375 (9.5)	.156 (4)					
GRO025061A		.063 (1.6)	.156 (4)	.375 (9.5)	.250 (6.4)	55				
GRO025062A		.063 (1.6)	.188 (4.8)	.375 (9.5)	.281 (7.1)			43		
GRO025121A		.125 (3.2)	.156 (4)	.375 (9.5)	.313 (7.9)					
GRO028091A	.281 (7.1)	.094 (2.4)	.188 (4.8)	.438 (11.1)	.281 (7.1)	55		10,000		
GRO031031A	.313 (7.9)	.031 (.8)	.188 (4.8)	.438 (11.1)	.188 (4.8)					
GRO031041A		.047 (1.2)	.219 (5.6)	.438 (11.1)	.156 (4)	43				
GRO031061A		.063 (1.6)	.219 (5.6)	.438 (11.1)	.219 (5.6)					
GRO031121A		.125 (3.2)	.125 (3.2)	.438 (11.1)	.313 (7.9)					
GRO037041A	.375 (9.5)	.047 (1.2)	.281 (7.1)	.563 (14.3)	.188 (4.8)	55	10,000			
GRO037061A		.063 (1.6)	.250 (6.4)	.563 (14.3)	.250 (6.4)					
GRO037091A		.094 (2.4)	.250 (6.4)	.563 (14.3)	.281 (7.1)					
GRO040061A	.406 (10.3)	.063 (1.6)	.281 (7.1)	.563 (14.3)	.156 (4)				55	10,000
GRO043061A	.438 (11.1)	.063 (1.6)	.313 (7.9)	.563 (14.3)	.188 (4.8)					
GRO046071A	.469 (11.9)	.078 (2.0)	.375 (9.5)	.688 (17.5)	.266 (6.8)					
GRO050061A	.500 (12.7)	.063 (1.6)	.375 (9.5)	.688 (17.5)	.281 (7.1)					
GRO050121A		.125 (3.2)	.313 (7.9)	.625 (15.9)	.313 (7.9)					
GRO050122A		.125 (3.2)	.375 (9.5)	.688 (17.5)	.344 (8.7)					
GRO056061A	.563 (14.3)	.063 (1.6)	.438 (11.1)	.750 (19.1)	.250 (6.4)			55		
GRO062031A	.625 (15.9)	.031 (.8)	.438 (11.1)	.750 (19.1)	.375 (9.5)					
GRO062041A		.047 (1.2)	.500 (12.7)	.813 (20.6)	.281 (7.1)					
GRO068031A	.688 (17.5)	.031 (.8)	.563 (14.3)	.875 (22.2)	.281 (7.1)					
GRO068061A		.063 (1.6)	.500 (12.7)	.875 (22.2)	.250 (6.4)					
GRO068062A		.063 (1.6)	.563 (14.3)	.875 (22.2)	.188 (4.8)					
GRO068121A		.125 (3.2)	.500 (12.7)	.875 (22.2)	.313 (7.9)					
GRO075061A	.750 (19.1)	.063 (1.6)	.625 (15.9)	.875 (22.2)	.219 (5.6)					
GRO075062A		.063 (1.6)	.629 (16)	.938 (23.8)	.188 (4.8)					
GRO081041A	.813 (20.6)	.047 (1.2)	.625 (15.9)	1.063 (27.0)	.313 (7.9)	4,000	4,000			
GRO087121A	.875 (22.3)	.125 (3.2)	.625 (15.9)	1.063 (27.0)	.375 (9.5)					
GRO100041A	1.000 (25.4)	.047 (1.2)	.750 (19.1)	1.250 (31.8)	.297 (7.5)	55	2,000			
GRO100061A		.063 (1.6)	.750 (19.1)	1.250 (31.8)	.313 (7.9)			4,000		
GRO100062A		.063 (1.6)	.875 (22.2)	1.250 (31.8)	.313 (7.9)				2,000	
GRO100121A		.125 (3.2)	.750 (19.1)	1.250 (31.8)	.375 (9.5)					
GRO125031A	1.250 (31.8)	.031 (.8)	1.000 (25.4)	1.750 (44.5)	.250 (6.4)	2,000	2,000			
GRO125061A		.063 (1.6)	1.000 (25.4)	1.500 (38.1)	.297 (7.5)			2,000		
GRO125121A		.125 (3.2)	1.000 (25.4)	1.500 (38.1)	.359 (9.1)					
GRO150061A	1.500 (38.1)	.063 (1.6)	1.250 (31.8)	1.813 (46)	.375 (9.5)	1,000	1,000			
GRO150121A		.125 (3.2)	1.250 (31.8)	1.813 (46)	.438 (11.1)					
GRO175061A	1.750 (44.5)	.063 (1.6)	1.500 (38.1)	2.000 (50.8)	.375 (9.5)	1,000	1,000			
GRO175121A		.125 (3.2)	1.500 (38.1)	2.000 (50.8)	.375 (9.5)					
GRO200061A	2.000 (50.8)	.063 (1.6)	1.750 (44.5)	2.375 (60.3)	.406 (10.3)	500	500			
GRO200121A		.125 (3.2)	1.750 (44.5)	2.375 (60.3)	.469 (11.9)					

Looking for pricing, stock, or lifecycle information?

Click below to explore more details on WIN SOURCE:

- ⊖ [View GRO025121A](#) on WIN SOURCE
- ⊖ [Essentra Components](#) Information

Optimize Your Supply Chain with WIN SOURCE Solutions

- ✓ Global Sourcing Solution
- ✓ Obsolete Management
- ✓ Cost Control Management
- ✓ Shortage Management
- ✓ Alternative Solution
- ✓ Excess Inventory Management