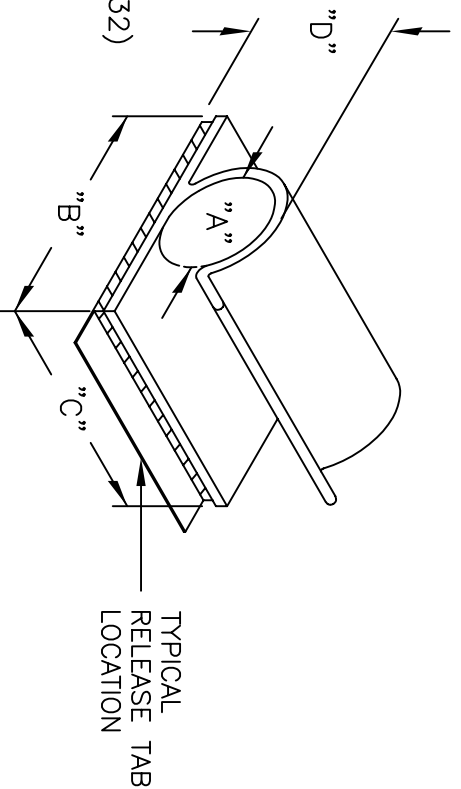




THE DATASHEET OF KKC-2-RT



PART NO.	HOLDING CAPACITY "A"	"B" ±.015 (0.4)	"C" ±.02 (0.5)	"D" AT. MAX CAPACITY REF.
KKC-2-RT	1/8 (3.2)			.31 (7.9)
KKC-3-RT	3/16 (4.8)			.33 (8.4)
KKC-4-RT	1/4 (6.4)	3/4 (19.1)	.750 (19.1)	.42 (10.7)
KKC-5-RT	5/16 (7.9)			.48 (12.2)
KKC-6-RT	3/8 (9.5)			.60 (15.2)
KKC-8-RT	1/2 (12.7)	1 (25.4)	1.000 (25.4)	.69 (17.5)
KKC-12-RT	3/4 (19.1)			.94 (23.9)



(RMS-04).
 CLEAR PVC (RMS-32)
 SIDED ADHESIVE
 (15), WHITE LINER.
 SIDED ADHESIVE
 (102), BLUE LINER.
 ONLY.
 KKC-X-A1-RT.
 AVAILABLE BY SPECIAL ORDER.

TITLE: KWIK-KLIP, TYPE "C"		DWN: S.M.		APP:	PART #		DWG IN IN (MM)	PRINT TYPE
TOLERANCES UNLESS NOTED .XX=±.020 .XXX=±.015 FRAC=±1/64 ANG=±1°		DT: 11/14/00		DT:	SEE TABLE			
NOTE 5	SJ 03.14.02	FILE #	KKC	RICHCO INC.		FINAL		
D NOTE 4	SM 05.31.01	MAT'L:	SEE NOTES	Po BOX 804238 CHICAGO, 60680				
UNGED FILE #	SM 11.14.00	RE:	RICHCO, INC.	(773) 539-4060				
ATED FILE #	JK 2.10.00							
ENG	ENGR DATE							

Looking for pricing, stock, or lifecycle information?

Click below to explore more details on WIN SOURCE:

-  [View KKC-2-RT on WIN SOURCE](#)
-  [Essentra Components](#) Information

Optimize Your Supply Chain with WIN SOURCE Solutions

-  Global Sourcing Solution
-  Obsolete Management
-  Cost Control Management
-  Shortage Management
-  Alternative Solution
-  Excess Inventory Management