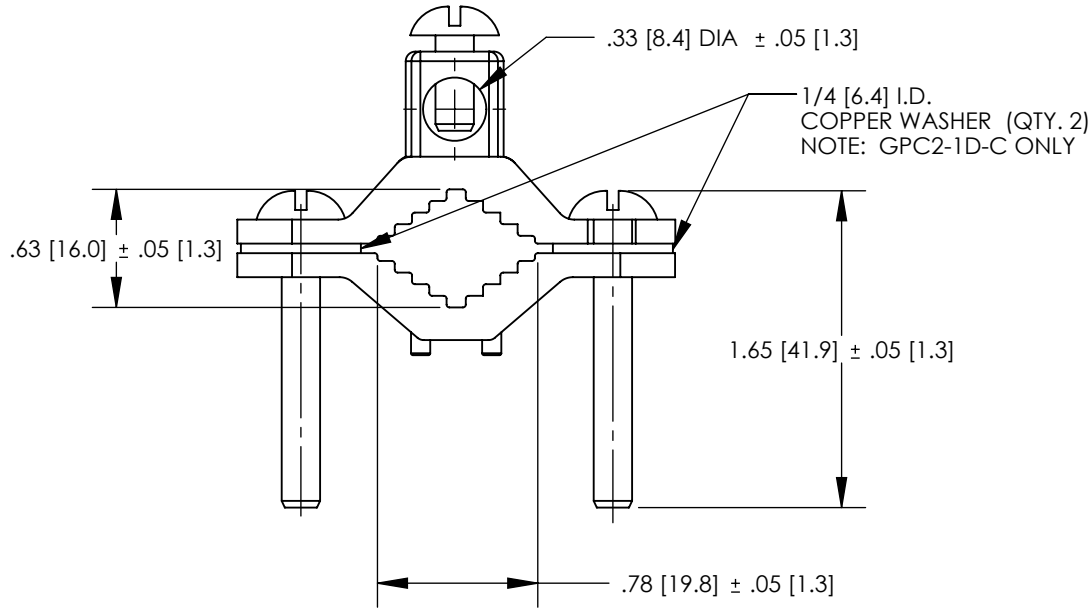
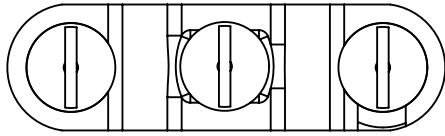




THE DATASHEET OF GPC2-1D-C



THIS COPY IS PROVIDED ON A RESTRICTED BASIS AND IS NOT TO BE USED IN ANY WAY DETRIMENTAL TO THE INTERESTS OF PANDUIT CORP.



NOTES:

- MATERIAL:
 BODY - BRONZE (GUN METAL)
 SCREW - PHOS. BRONZE (GPC2-1D)
 STEEL, ZINC PLATED (GPC2-1)
- PARTS ARE cULus LISTED TO UL467 AS GROUNDING & BONDING EQUIPMENT.
- RATED FOR DIRECT BURIAL (GPC2-1D ONLY)
- SEE WWW.PANDUIT.COM FOR PART NUMBER SUFFIX DESIGNATION FOR PACKAGING SIZE.



DB
RATED
 GPC2-1D ONLY



PART NUMBER	DESCRIPTION	WATER PIPE	GROUNDING WIRE
GPC2-1	GROUND CLAMP BARE WIRE	1/2" - 1"	10 - 2 STR
GPC2-1D	GROUND CLAMP BARE WIRE FOR DIRECT BURIAL	1/2" - 1"	10 - 2 STR

REV	DATE	BY	CHK	APR	DESCRIPTION	ECN
01	6/15	JHNU	JHNU	RGB	REVISED SCREW MATERIAL: GPC2-1 WAS PHOS BRONZE GPC2-1D WAS STEEL	10J018AD-JC
00	7/12	JHNU	SRBI	RGB	DRAWING RELEASED	10J018AD-JC

TITLE BRONZE GROUND PIPE CLAMP - 1/2" - 1" (GPC2-1, GPC2-1D) CUSTOMER DRAWING	
ITEM REVISION NAME 10J018AD/01	
DATASET FILE NAME 10J018AD-JC/01.SLDDRW	
UNLESS OTHERWISE SPECIFIED, DIMENSIONAL TOLERANCES ARE: IN [mm]	
.X ± .XX ±	.XXX ± ANGLES ±
	THIRD ANGLE PROJECTION
DRAWN BY JHNU	DATE 7/12
CHK SRBI	SCALE N/A
DRAWING NUMBER 10J018AD-JC	
SHEET 1 OF 1	
SIZE A	

Looking for pricing, stock, or lifecycle information?

Click below to explore more details on WIN SOURCE:

-  [View GPC2-1D-C on WIN SOURCE](#)
-  [Panduit Corp](#) Information

Optimize Your Supply Chain with WIN SOURCE Solutions

-  Global Sourcing Solution
-  Obsolete Management
-  Cost Control Management
-  Shortage Management
-  Alternative Solution
-  Excess Inventory Management