



**THE DATASHEET OF  
CBTL02043ABQ,115**



# CBTL02043A; CBTL02043B

3.3 V, 2 differential channel, 2 : 1 multiplexer/demultiplexer switch

Rev. 4.1 — 30 March 2015

Product data sheet

## 1. General description

CBTL02043A/B is a 2 differential channel, 2-to-1 multiplexer/demultiplexer switch for USB 3.1, PCI Express Generation 3, or other high-speed serial interface applications. The CBTL02043A/B can switch two differential signals to one of two locations. Using a unique design technique, NXP has minimized the impedance of the switch such that the attenuation observed through the switch is negligible, and also minimized the channel-to-channel skew as well as channel-to-channel crosstalk, as required by the high-speed serial interface. CBTL02043A/B allows expansion of existing high-speed ports for extremely low power.

The device's pinouts are optimized to match different application layouts. CBTL02043A has input and output pins on the opposite of the package, and is suitable for edge connector(s) with different signal sources on the motherboard. CBTL02043B has outputs on both sides of the package, and the device can be placed between two connectors to multiplex differential signals from a controller. Please refer to [Section 8](#) for layout examples.

## 2. Features and benefits

- 2 bidirectional differential channel, 2 : 1 multiplexer/demultiplexer
- High-speed signal switching for 10 Gbps applications
- High bandwidth: 10 GHz at -3 dB
- Low insertion loss:
  - ◆ -0.5 dB at 100 MHz
  - ◆ -1.3 dB at 4.0 GHz
- Low return loss: -13.5 dB at 4 GHz
- Low crosstalk: -35 dB at 4 GHz
- Low off-state isolation: -20 dB at 4 GHz
- Low intra-pair skew: 5 ps typical
- Low inter-pair skew: 35 ps maximum
- $V_{DD}$  operating range: 3.3 V  $\pm$  10 %
- Shutdown pin (XSD) for power-saving mode
  - ◆ Standby current less than 1  $\mu$ A
- ESD tolerance:
  - ◆ 2000 V HBM
  - ◆ 1000 V CDM
- DHVQFN20 package



### 3. Applications

- Routing of high-speed differential signals with low signal attenuation
  - ◆ PCIe Gen3
  - ◆ DisplayPort 1.2
  - ◆ USB 3.1
  - ◆ SATA 6 Gbit/s

### 4. Ordering information

Table 1. Ordering information

Type number	Topside marking	Package		
		Name	Description	Version
CBTL02043ABQ	TL02043A	DHVQFN20	plastic dual in-line compatible thermal enhanced very thin quad flat package; no leads; 20 terminals; body 2.5 × 4.5 × 0.85 mm <sup>[1]</sup>	SOT764-1
CBTL02043BBQ	TL02043B	DHVQFN20	plastic dual in-line compatible thermal enhanced very thin quad flat package; no leads; 20 terminals; body 2.5 × 4.5 × 0.85 mm <sup>[1]</sup>	SOT764-1

[1] Total height after printed-circuit board mounting = 1.0 mm maximum.

#### 4.1 Ordering options

Table 2. Ordering options

Type number	Orderable part number	Package	Packing method	Minimum order quantity	Temperature
CBTL02043ABQ	CBTL02043ABQ,115	DHVQFN20	Reel 7" Q1/T1 *standard mark SMD	3000	T <sub>amb</sub> = -40 °C to +85 °C
CBTL02043BBQ	CBTL02043BBQ,115	DHVQFN20	Reel 7" Q1/T1 *standard mark SMD	3000	T <sub>amb</sub> = -40 °C to +85 °C

## 5. Functional diagram

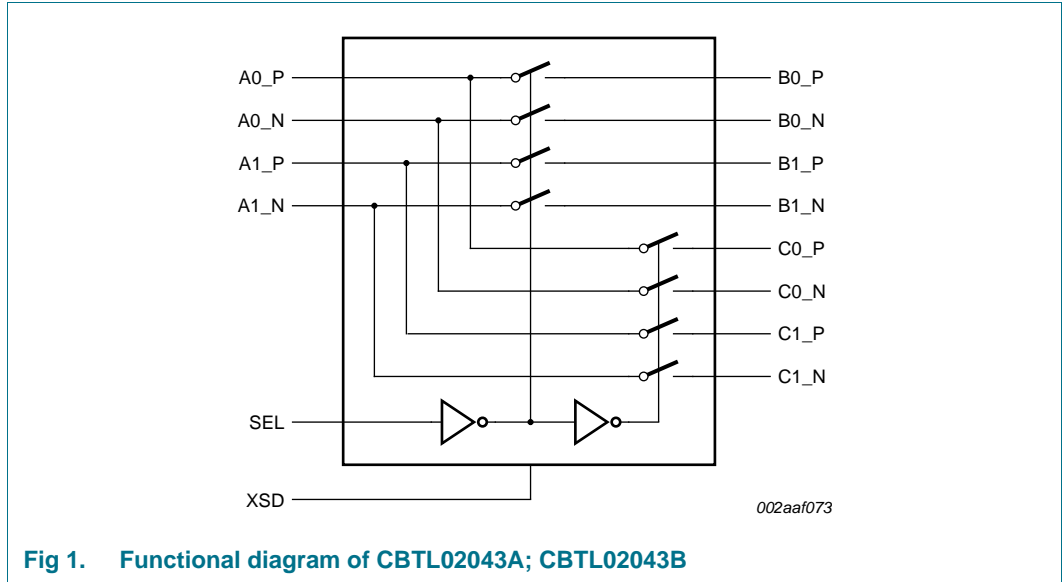


Fig 1. Functional diagram of CBTL02043A; CBTL02043B

## 6. Pinning information

### 6.1 Pinning

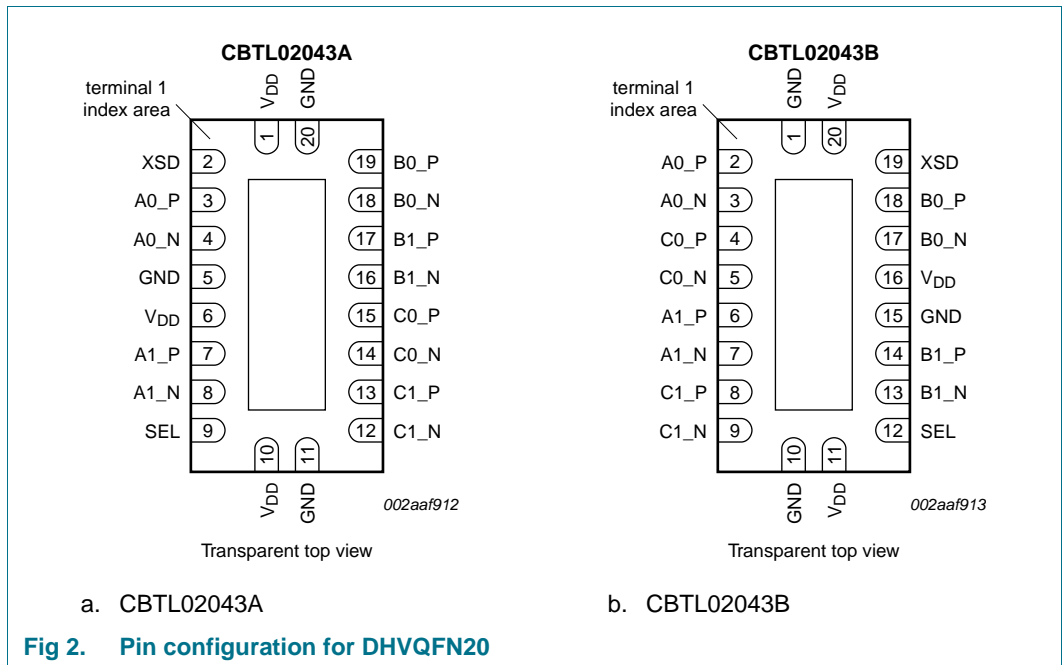


Fig 2. Pin configuration for DHVQFN20

## 6.2 Pin description

Table 3. Pin description

Symbol	Pin		Type	Description
	CBTL02043A	CBTL02043B		
A0_P	3	2	I/O	channel 0, port A differential signal input/output
A0_N	4	3	I/O	channel 0, port A differential signal input/output
A1_P	7	6	I/O	channel 1, port A differential signal input/output
A1_N	8	7	I/O	channel 1, port A differential signal input/output
B0_P	19	18	I/O	channel 0, port B differential signal input/output
B0_N	18	17	I/O	channel 0, port B differential signal input/output
B1_P	17	14	I/O	channel 1, port B differential signal input/output
B1_N	16	13	I/O	channel 1, port B differential signal input/output
C0_P	15	4	I/O	channel 0, port C differential signal input/output
C0_N	14	5	I/O	channel 0, port C differential signal input/output
C1_P	13	8	I/O	channel 1, port C differential signal input/output
C1_N	12	9	I/O	channel 1, port C differential signal input/output
SEL	9	12	CMOS single-ended input	operation mode select SEL = LOW: A ↔ B SEL = HIGH: A ↔ C
XSD	2	19	CMOS single-ended input	Shutdown pin; should be driven LOW or connected to V <sub>SS</sub> for normal operation. When HIGH, all paths are switched off (non-conducting high-impedance state), and supply current consumption is minimized.
V <sub>DD</sub>	1, 6, 10	11, 16, 20	power	positive supply voltage, 3.3 V (± 10 %)
GND <sup>[1]</sup>	5, 11, 20, center pad	1, 10, 15, center pad	power	supply ground

- [1] DHVQFN20 package die supply ground is connected to both GND pins and exposed center pad. GND pins and the exposed center pad must be connected to supply ground for proper device operation. For enhanced thermal, electrical, and board level performance, the exposed pad needs to be soldered to the board using a corresponding thermal pad on the board and for proper heat conduction through the board, thermal vias need to be incorporated in the printed-circuit board in the thermal pad region.

## 7. Functional description

Refer to [Figure 1 “Functional diagram of CBTL02043A; CBTL02043B”](#).

### 7.1 Function selection and shutdown function

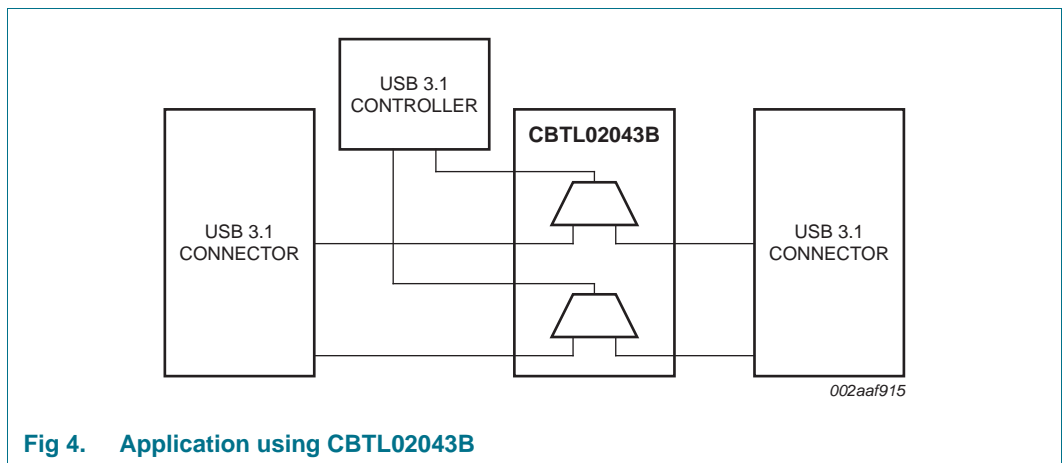
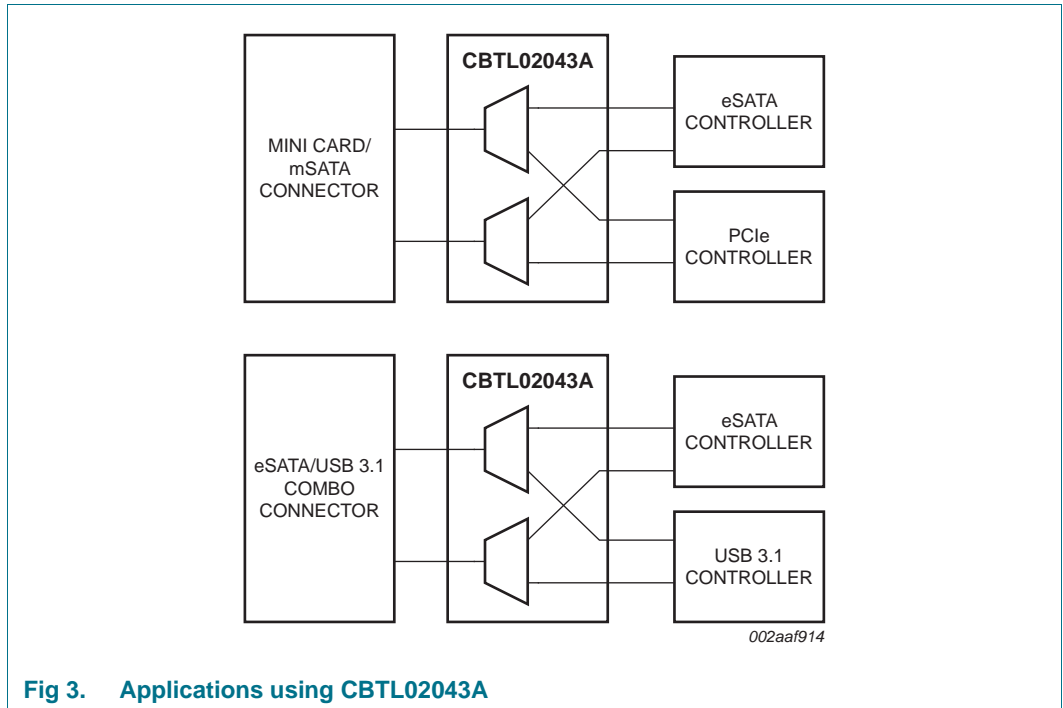
The CBTL02043A/B provides a shutdown function to minimize power consumption when the application is not active, but power to the CBTL02043A/B is provided. The XSD pin (active HIGH) places all channels in high-impedance state (non-conducting) while reducing current consumption to near-zero. When XSD pin is LOW, the device operates normally.

**Table 4. Function selection**

X = *Don't care*.

XSD	SEL	Function
HIGH	X	An, Bn and Cn pins are high-Z
LOW	LOW	An to Bn and vice versa
LOW	HIGH	An to Cn and vice versa

## 8. Application design-in information



## 9. Limiting values

**Table 5. Limiting values**

In accordance with the Absolute Maximum Rating System (IEC 60134).

Symbol	Parameter	Conditions	Min	Max	Unit
$V_{DD}$	supply voltage		-0.3	+4.6	V
$T_{case}$	case temperature		-40	+85	°C
$T_{stg}$	storage temperature		-65	+150	°C
$V_{ESD}$	electrostatic discharge voltage	HBM	[1] -	2000	V
		CDM	[2] -	1000	V

[1] Human Body Model: ANSI/EOS/ESD-S5.1-1994, standard for ESD sensitivity testing, Human Body Model - Component level; Electrostatic Discharge Association, Rome, NY, USA.

[2] Charged Device Model: ANSI/EOS/ESD-S5.3-1-1999, standard for ESD sensitivity testing, Charged Device Model - Component level; Electrostatic Discharge Association, Rome, NY, USA.

## 10. Recommended operating conditions

**Table 6. Recommended operating conditions**

Symbol	Parameter	Conditions	Min	Typ	Max	Unit
$V_{DD}$	supply voltage		3.0	3.3	3.6	V
$V_I$	input voltage		-	-	$V_{DD}$	V
$T_{amb}$	ambient temperature	operating in free air	-40	-	+85	°C

## 11. Static characteristics

**Table 7. Static characteristics**

$V_{DD} = 3.3\text{ V} \pm 10\%$ ;  $T_{amb} = -40\text{ °C}$  to  $+85\text{ °C}$ ; unless otherwise specified.

Symbol	Parameter	Conditions	Min	Typ <sup>[1]</sup>	Max	Unit
$I_{DD}$	supply current	operating mode; $V_{DD} = \text{max.}$ ; XSD = LOW	-	1.35	2.5	mA
		shutdown mode; $V_{DD} = \text{max.}$ ; XSD = HIGH	-	-	1	μA
$I_{IH}$	HIGH-level input current	$V_{DD} = \text{max.}$ ; $V_I = V_{DD}$	-	-	$\pm 5$ <sup>[2]</sup>	μA
$I_{IL}$	LOW-level input current	$V_{DD} = \text{max.}$ ; $V_I = \text{GND}$	-	-	$\pm 5$ <sup>[2]</sup>	μA
$V_{IH}$	HIGH-level input voltage	SEL, XSD pins	$0.65V_{DD}$	-	-	V
$V_{IL}$	LOW-level input voltage	SEL, XSD pins	-	-	$0.35V_{DD}$	V
$V_I$	input voltage	differential pins	-	-	2.4	V
		SEL, XSD pins	-	-	$V_{DD}$	V
$V_{IC}$	common-mode input voltage		0	-	2	V
$V_{ID}$	differential input voltage	peak-to-peak	-	-	1.6	V

[1] Typical values are at  $V_{DD} = 3.3\text{ V}$ ,  $T_{amb} = 25\text{ °C}$ , and maximum loading.

[2] Input leakage current is  $\pm 50\text{ μA}$  if differential pairs are pulled to HIGH and LOW.

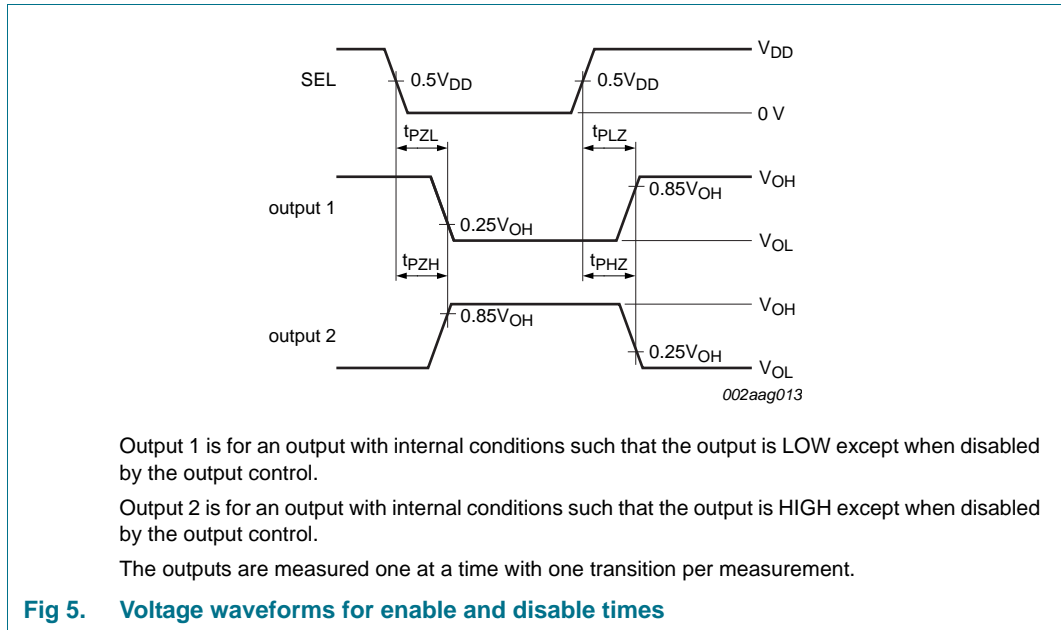
## 12. Dynamic characteristics

**Table 8. Dynamic characteristics**

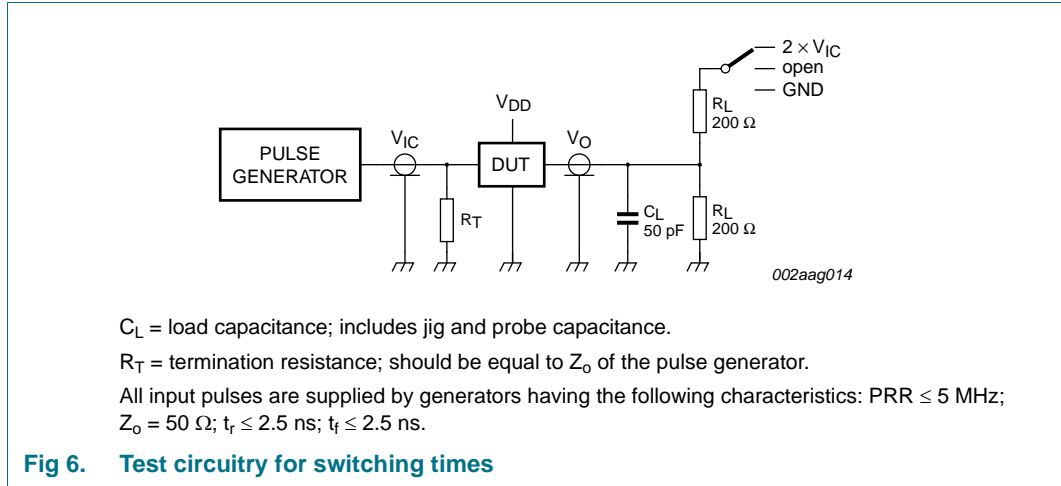
$V_{DD} = 3.3\text{ V} \pm 10\%$ ;  $T_{amb} = -40\text{ }^{\circ}\text{C}$  to  $+85\text{ }^{\circ}\text{C}$ ; unless otherwise specified.

Symbol	Parameter	Conditions	Min	Typ <sup>[1]</sup>	Max	Unit
DDIL	differential insertion loss	channel is OFF				
		f = 4 GHz	-	-20	-	dB
		f = 100 MHz	-	-50	-	dB
		channel is ON				
		f = 4 GHz	-	-1.3	-	dB
		f = 100 MHz	-	-0.5	-	dB
DDNEXT	differential near-end crosstalk	adjacent channels are ON				
		f = 4 GHz	-	-35	-	dB
		f = 100 MHz	-	-65	-	dB
B <sub>-3dB</sub>	-3 dB bandwidth		-	10	-	GHz
DDRL	differential return loss	f = 4 GHz	-	-13.5	-	dB
		f = 100 MHz	-	-25	-	dB
R <sub>on</sub>	ON-state resistance	$V_{DD} = 3.3\text{ V}$ ; $V_I = 2\text{ V}$ ; $I_I = 19\text{ mA}$	-	6	-	$\Omega$
C <sub>io(on)</sub>	on-state input/output capacitance		-	1.5	-	pF
t <sub>PD</sub>	propagation delay	from Port A to Port B, or Port A to Port C, or vice versa	-	60	-	ps
<b>Switching characteristics</b>						
t <sub>startup</sub>	start-up time	supply voltage valid or XSD going LOW to channel specified operating conditions	-	-	10	ms
t <sub>PZH</sub>	OFF-state to HIGH propagation delay		-	-	300	ns
t <sub>PZL</sub>	OFF-state to LOW propagation delay		-	-	70	ns
t <sub>PHZ</sub>	HIGH to OFF-state propagation delay		-	-	50	ns
t <sub>PLZ</sub>	LOW to OFF-state propagation delay		-	-	50	ns
t <sub>sk(dif)</sub>	differential skew time	intra-pair	-	5	-	ps
t <sub>sk</sub>	skew time	inter-pair	-	-	35	ps

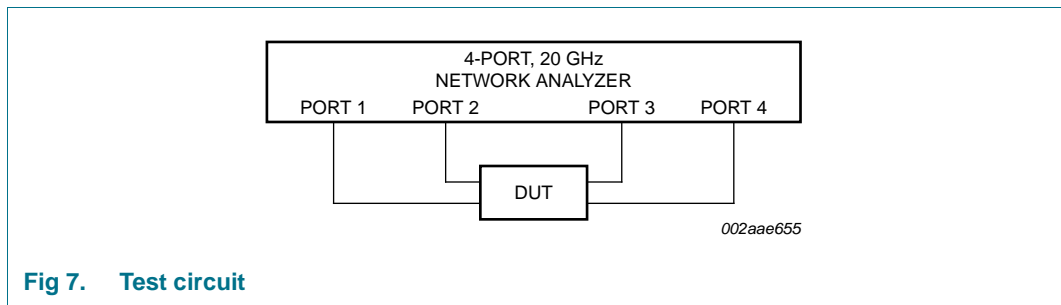
[1] Typical values are at  $V_{DD} = 3.3\text{ V}$ ;  $T_{amb} = 25\text{ }^{\circ}\text{C}$ , and maximum loading.



**13. Test information**



**Fig 6. Test circuitry for switching times**



**Fig 7. Test circuit**

**Table 9. Test data**

Test	Load		Switch
	$C_L$	$R_L$	
$t_{PLZ}$ , $t_{PZL}$ (output on B side)	50 pF	200 $\Omega$	$2 \times V_{IC}$
$t_{PHZ}$ , $t_{PZH}$ (output on B side)	50 pF	200 $\Omega$	GND
$t_{PD}$	-	200 $\Omega$	open

14. Package outline

DHVQFN20: plastic dual in-line compatible thermal enhanced very thin quad flat package; no leads; 20 terminals; body 2.5 x 4.5 x 0.85 mm

SOT764-1

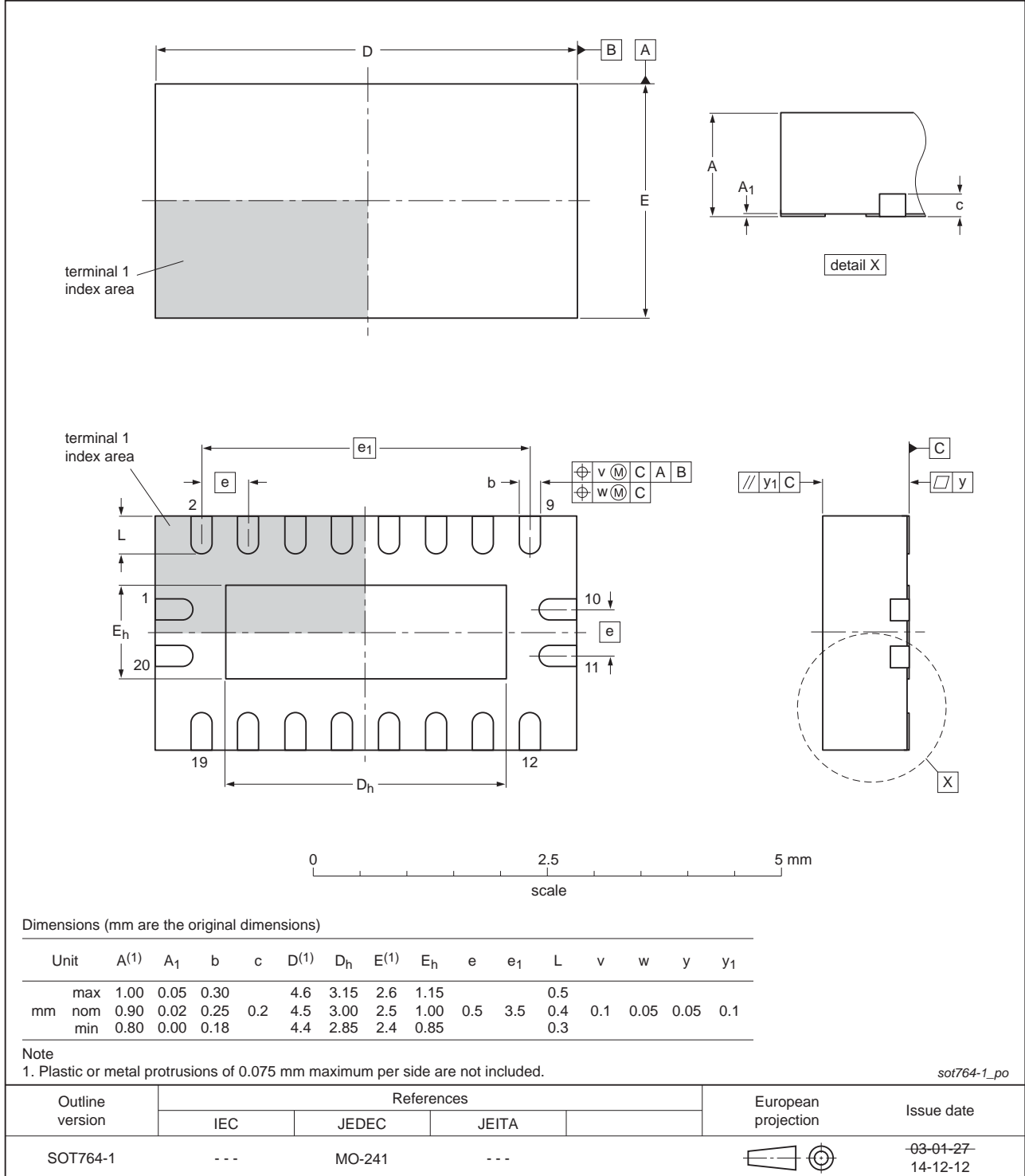


Fig 8. Package outline SOT764-1 (DHVQFN20)

## 15. Soldering of SMD packages

This text provides a very brief insight into a complex technology. A more in-depth account of soldering ICs can be found in Application Note *AN10365 "Surface mount reflow soldering description"*.

### 15.1 Introduction to soldering

Soldering is one of the most common methods through which packages are attached to Printed Circuit Boards (PCBs), to form electrical circuits. The soldered joint provides both the mechanical and the electrical connection. There is no single soldering method that is ideal for all IC packages. Wave soldering is often preferred when through-hole and Surface Mount Devices (SMDs) are mixed on one printed wiring board; however, it is not suitable for fine pitch SMDs. Reflow soldering is ideal for the small pitches and high densities that come with increased miniaturization.

### 15.2 Wave and reflow soldering

Wave soldering is a joining technology in which the joints are made by solder coming from a standing wave of liquid solder. The wave soldering process is suitable for the following:

- Through-hole components
- Leaded or leadless SMDs, which are glued to the surface of the printed circuit board

Not all SMDs can be wave soldered. Packages with solder balls, and some leadless packages which have solder lands underneath the body, cannot be wave soldered. Also, leaded SMDs with leads having a pitch smaller than ~0.6 mm cannot be wave soldered, due to an increased probability of bridging.

The reflow soldering process involves applying solder paste to a board, followed by component placement and exposure to a temperature profile. Leaded packages, packages with solder balls, and leadless packages are all reflow solderable.

Key characteristics in both wave and reflow soldering are:

- Board specifications, including the board finish, solder masks and vias
- Package footprints, including solder thieves and orientation
- The moisture sensitivity level of the packages
- Package placement
- Inspection and repair
- Lead-free soldering versus SnPb soldering

### 15.3 Wave soldering

Key characteristics in wave soldering are:

- Process issues, such as application of adhesive and flux, clinching of leads, board transport, the solder wave parameters, and the time during which components are exposed to the wave
- Solder bath specifications, including temperature and impurities

**15.4 Reflow soldering**

Key characteristics in reflow soldering are:

- Lead-free versus SnPb soldering; note that a lead-free reflow process usually leads to higher minimum peak temperatures (see [Figure 9](#)) than a SnPb process, thus reducing the process window
- Solder paste printing issues including smearing, release, and adjusting the process window for a mix of large and small components on one board
- Reflow temperature profile; this profile includes preheat, reflow (in which the board is heated to the peak temperature) and cooling down. It is imperative that the peak temperature is high enough for the solder to make reliable solder joints (a solder paste characteristic). In addition, the peak temperature must be low enough that the packages and/or boards are not damaged. The peak temperature of the package depends on package thickness and volume and is classified in accordance with [Table 10](#) and [11](#)

**Table 10. SnPb eutectic process (from J-STD-020D)**

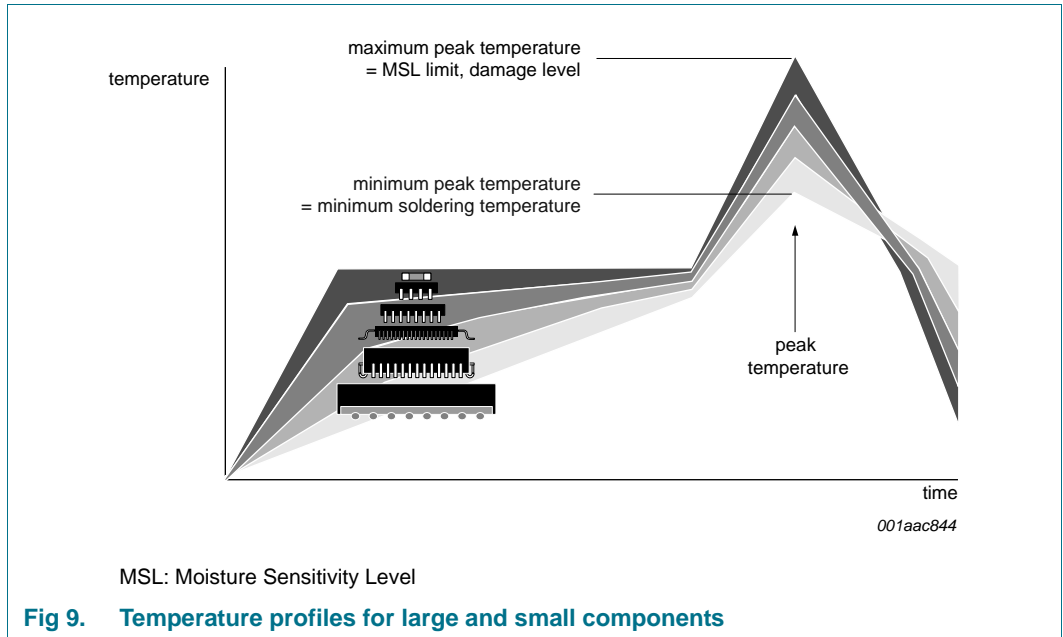
Package thickness (mm)	Package reflow temperature (°C)	
	Volume (mm <sup>3</sup> )	
	< 350	≥ 350
< 2.5	235	220
≥ 2.5	220	220

**Table 11. Lead-free process (from J-STD-020D)**

Package thickness (mm)	Package reflow temperature (°C)		
	Volume (mm <sup>3</sup> )		
	< 350	350 to 2000	> 2000
< 1.6	260	260	260
1.6 to 2.5	260	250	245
> 2.5	250	245	245

Moisture sensitivity precautions, as indicated on the packing, must be respected at all times.

Studies have shown that small packages reach higher temperatures during reflow soldering, see [Figure 9](#).

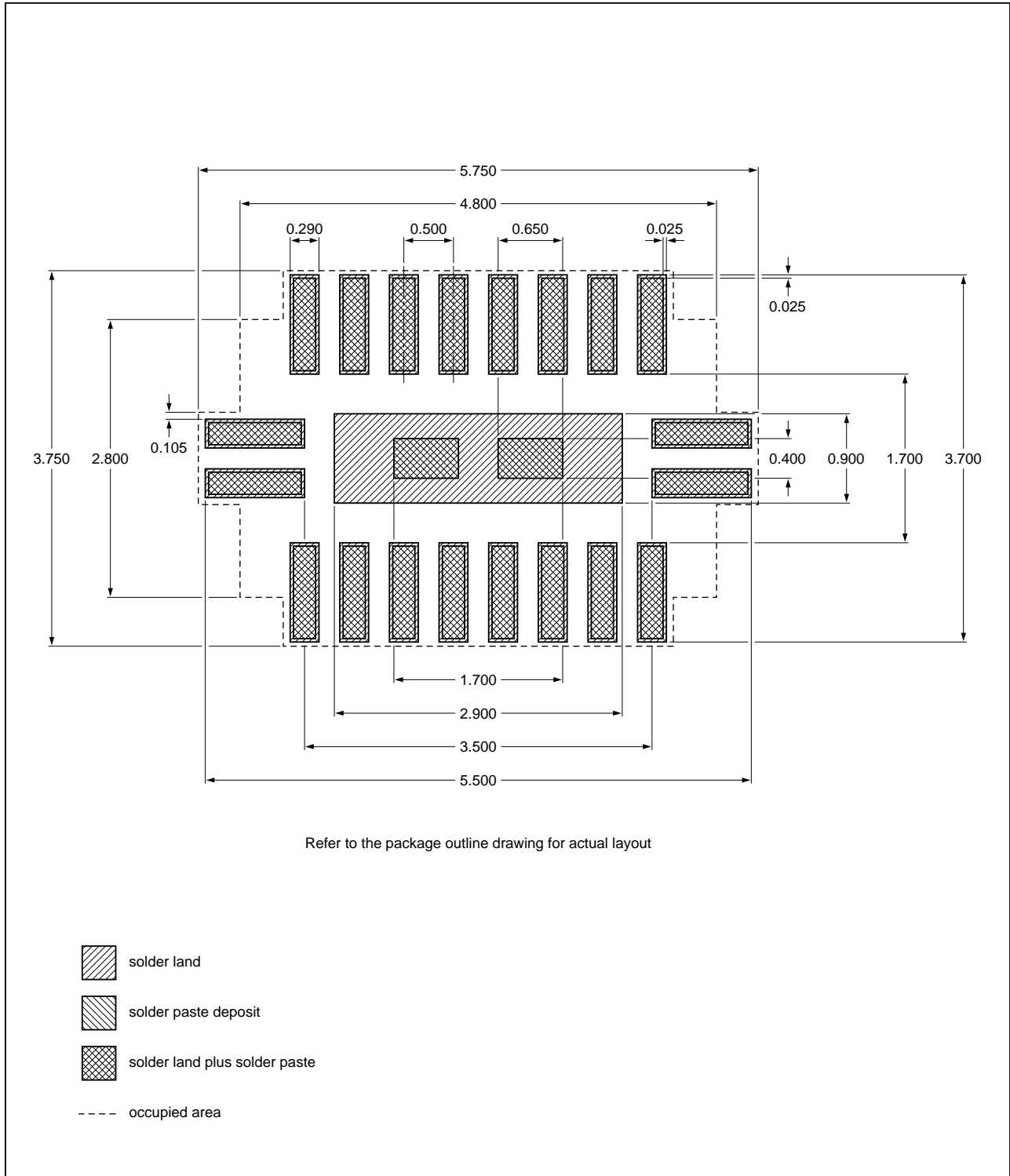


For further information on temperature profiles, refer to Application Note AN10365 “Surface mount reflow soldering description”.

**16. Soldering: PCB footprints**

Footprint information for reflow soldering of DHVQFN20 package

SOT764-1



**Fig 10. PCB footprint for SOT764-1 (DHVQFN20); reflow soldering**

## 17. Abbreviations

Table 12. Abbreviations

Acronym	Description
CDM	Charged-Device Model
DUT	Device Under Test
ESD	ElectroStatic Discharge
HBM	Human Body Model
I/O	Input/Output
PCI	Peripheral Component Interconnect
PCIe	PCI Express
PRR	Pulse Repetition Rate
SATA	Serial Advanced Technology Attachment
USB	Universal Serial Bus

## 18. Revision history

Table 13. Revision history

Document ID	Release date	Data sheet status	Change notice	Supersedes
CBTL02043A_CBTL02043B v.4.1	20150330	Product data sheet	-	CBTL02043A_CBTL02043B v.4
Modifications:	<ul style="list-style-type: none"> <li>Changed "USB 3.0" to "USB 3.1" throughout</li> </ul>			
CBTL02043A_CBTL02043B v.4	20141219	Product data sheet	-	CBTL02043A_CBTL02043B v.3
CBTL02043A_CBTL02043B v.3	20130305	Product data sheet	-	CBTL02043A_CBTL02043B v.2
CBTL02043A_CBTL02043B v.2	20111110	Product data sheet	-	CBTL02043A_CBTL02043B v.1
CBTL02043A_CBTL02043B v.1	20110310	Product data sheet	-	-

## 19. Legal information

### 19.1 Data sheet status

Document status <sup>[1][2]</sup>	Product status <sup>[3]</sup>	Definition
Objective [short] data sheet	Development	This document contains data from the objective specification for product development.
Preliminary [short] data sheet	Qualification	This document contains data from the preliminary specification.
Product [short] data sheet	Production	This document contains the product specification.

[1] Please consult the most recently issued document before initiating or completing a design.

[2] The term 'short data sheet' is explained in section "Definitions".

[3] The product status of device(s) described in this document may have changed since this document was published and may differ in case of multiple devices. The latest product status information is available on the Internet at URL <http://www.nxp.com>.

### 19.2 Definitions

**Draft** — The document is a draft version only. The content is still under internal review and subject to formal approval, which may result in modifications or additions. NXP Semiconductors does not give any representations or warranties as to the accuracy or completeness of information included herein and shall have no liability for the consequences of use of such information.

**Short data sheet** — A short data sheet is an extract from a full data sheet with the same product type number(s) and title. A short data sheet is intended for quick reference only and should not be relied upon to contain detailed and full information. For detailed and full information see the relevant full data sheet, which is available on request via the local NXP Semiconductors sales office. In case of any inconsistency or conflict with the short data sheet, the full data sheet shall prevail.

**Product specification** — The information and data provided in a Product data sheet shall define the specification of the product as agreed between NXP Semiconductors and its customer, unless NXP Semiconductors and customer have explicitly agreed otherwise in writing. In no event however, shall an agreement be valid in which the NXP Semiconductors product is deemed to offer functions and qualities beyond those described in the Product data sheet.

### 19.3 Disclaimers

**Limited warranty and liability** — Information in this document is believed to be accurate and reliable. However, NXP Semiconductors does not give any representations or warranties, expressed or implied, as to the accuracy or completeness of such information and shall have no liability for the consequences of use of such information. NXP Semiconductors takes no responsibility for the content in this document if provided by an information source outside of NXP Semiconductors.

In no event shall NXP Semiconductors be liable for any indirect, incidental, punitive, special or consequential damages (including - without limitation - lost profits, lost savings, business interruption, costs related to the removal or replacement of any products or rework charges) whether or not such damages are based on tort (including negligence), warranty, breach of contract or any other legal theory.

Notwithstanding any damages that customer might incur for any reason whatsoever, NXP Semiconductors' aggregate and cumulative liability towards customer for the products described herein shall be limited in accordance with the *Terms and conditions of commercial sale* of NXP Semiconductors.

**Right to make changes** — NXP Semiconductors reserves the right to make changes to information published in this document, including without limitation specifications and product descriptions, at any time and without notice. This document supersedes and replaces all information supplied prior to the publication hereof.

**Suitability for use** — NXP Semiconductors products are not designed, authorized or warranted to be suitable for use in life support, life-critical or safety-critical systems or equipment, nor in applications where failure or malfunction of an NXP Semiconductors product can reasonably be expected to result in personal injury, death or severe property or environmental damage. NXP Semiconductors and its suppliers accept no liability for inclusion and/or use of NXP Semiconductors products in such equipment or applications and therefore such inclusion and/or use is at the customer's own risk.

**Applications** — Applications that are described herein for any of these products are for illustrative purposes only. NXP Semiconductors makes no representation or warranty that such applications will be suitable for the specified use without further testing or modification.

Customers are responsible for the design and operation of their applications and products using NXP Semiconductors products, and NXP Semiconductors accepts no liability for any assistance with applications or customer product design. It is customer's sole responsibility to determine whether the NXP Semiconductors product is suitable and fit for the customer's applications and products planned, as well as for the planned application and use of customer's third party customer(s). Customers should provide appropriate design and operating safeguards to minimize the risks associated with their applications and products.

NXP Semiconductors does not accept any liability related to any default, damage, costs or problem which is based on any weakness or default in the customer's applications or products, or the application or use by customer's third party customer(s). Customer is responsible for doing all necessary testing for the customer's applications and products using NXP Semiconductors products in order to avoid a default of the applications and the products or of the application or use by customer's third party customer(s). NXP does not accept any liability in this respect.

**Limiting values** — Stress above one or more limiting values (as defined in the Absolute Maximum Ratings System of IEC 60134) will cause permanent damage to the device. Limiting values are stress ratings only and (proper) operation of the device at these or any other conditions above those given in the Recommended operating conditions section (if present) or the Characteristics sections of this document is not warranted. Constant or repeated exposure to limiting values will permanently and irreversibly affect the quality and reliability of the device.

**Terms and conditions of commercial sale** — NXP Semiconductors products are sold subject to the general terms and conditions of commercial sale, as published at <http://www.nxp.com/profile/terms>, unless otherwise agreed in a valid written individual agreement. In case an individual agreement is concluded only the terms and conditions of the respective agreement shall apply. NXP Semiconductors hereby expressly objects to applying the customer's general terms and conditions with regard to the purchase of NXP Semiconductors products by customer.

**No offer to sell or license** — Nothing in this document may be interpreted or construed as an offer to sell products that is open for acceptance or the grant, conveyance or implication of any license under any copyrights, patents or other industrial or intellectual property rights.

**Export control** — This document as well as the item(s) described herein may be subject to export control regulations. Export might require a prior authorization from competent authorities.

**Non-automotive qualified products** — Unless this data sheet expressly states that this specific NXP Semiconductors product is automotive qualified, the product is not suitable for automotive use. It is neither qualified nor tested in accordance with automotive testing or application requirements. NXP Semiconductors accepts no liability for inclusion and/or use of non-automotive qualified products in automotive equipment or applications.

In the event that customer uses the product for design-in and use in automotive applications to automotive specifications and standards, customer (a) shall use the product without NXP Semiconductors' warranty of the product for such automotive applications, use and specifications, and (b) whenever customer uses the product for automotive applications beyond

NXP Semiconductors' specifications such use shall be solely at customer's own risk, and (c) customer fully indemnifies NXP Semiconductors for any liability, damages or failed product claims resulting from customer design and use of the product for automotive applications beyond NXP Semiconductors' standard warranty and NXP Semiconductors' product specifications.

**Translations** — A non-English (translated) version of a document is for reference only. The English version shall prevail in case of any discrepancy between the translated and English versions.

## 19.4 Trademarks

Notice: All referenced brands, product names, service names and trademarks are the property of their respective owners.

## 20. Contact information

For more information, please visit: <http://www.nxp.com>

For sales office addresses, please send an email to: [salesaddresses@nxp.com](mailto:salesaddresses@nxp.com)

## 21. Contents

<b>1</b>	<b>General description</b> . . . . .	<b>1</b>
<b>2</b>	<b>Features and benefits</b> . . . . .	<b>1</b>
<b>3</b>	<b>Applications</b> . . . . .	<b>2</b>
<b>4</b>	<b>Ordering information</b> . . . . .	<b>2</b>
4.1	Ordering options . . . . .	2
<b>5</b>	<b>Functional diagram</b> . . . . .	<b>3</b>
<b>6</b>	<b>Pinning information</b> . . . . .	<b>3</b>
6.1	Pinning . . . . .	3
6.2	Pin description . . . . .	4
<b>7</b>	<b>Functional description</b> . . . . .	<b>5</b>
7.1	Function selection and shutdown function . . . . .	5
<b>8</b>	<b>Application design-in information</b> . . . . .	<b>6</b>
<b>9</b>	<b>Limiting values</b> . . . . .	<b>7</b>
<b>10</b>	<b>Recommended operating conditions</b> . . . . .	<b>7</b>
<b>11</b>	<b>Static characteristics</b> . . . . .	<b>7</b>
<b>12</b>	<b>Dynamic characteristics</b> . . . . .	<b>8</b>
<b>13</b>	<b>Test information</b> . . . . .	<b>10</b>
<b>14</b>	<b>Package outline</b> . . . . .	<b>11</b>
<b>15</b>	<b>Soldering of SMD packages</b> . . . . .	<b>12</b>
15.1	Introduction to soldering . . . . .	12
15.2	Wave and reflow soldering . . . . .	12
15.3	Wave soldering . . . . .	12
15.4	Reflow soldering . . . . .	13
<b>16</b>	<b>Soldering: PCB footprints</b> . . . . .	<b>15</b>
<b>17</b>	<b>Abbreviations</b> . . . . .	<b>16</b>
<b>18</b>	<b>Revision history</b> . . . . .	<b>16</b>
<b>19</b>	<b>Legal information</b> . . . . .	<b>17</b>
19.1	Data sheet status . . . . .	17
19.2	Definitions . . . . .	17
19.3	Disclaimers . . . . .	17
19.4	Trademarks . . . . .	18
<b>20</b>	<b>Contact information</b> . . . . .	<b>18</b>
<b>21</b>	<b>Contents</b> . . . . .	<b>19</b>

Please be aware that important notices concerning this document and the product(s) described herein, have been included in section 'Legal information'.

© NXP Semiconductors N.V. 2015. All rights reserved.

For more information, please visit: <http://www.nxp.com>  
For sales office addresses, please send an email to: [salesaddresses@nxp.com](mailto:salesaddresses@nxp.com)

Date of release: 30 March 2015

Document identifier: CBTL02043A\_CBTL02043B

## Looking for pricing, stock, or lifecycle information?

Click below to explore more details on WIN SOURCE:

- ⊖ [View CBTL02043ABQ,115 on WIN SOURCE](#)
- ⊖ [NXP / Nexperia Information](#)

## Optimize Your Supply Chain with WIN SOURCE Solutions

- ✓ Global Sourcing Solution
- ✓ Obsolete Management
- ✓ Cost Control Management
- ✓ Shortage Management
- ✓ Alternative Solution
- ✓ Excess Inventory Management