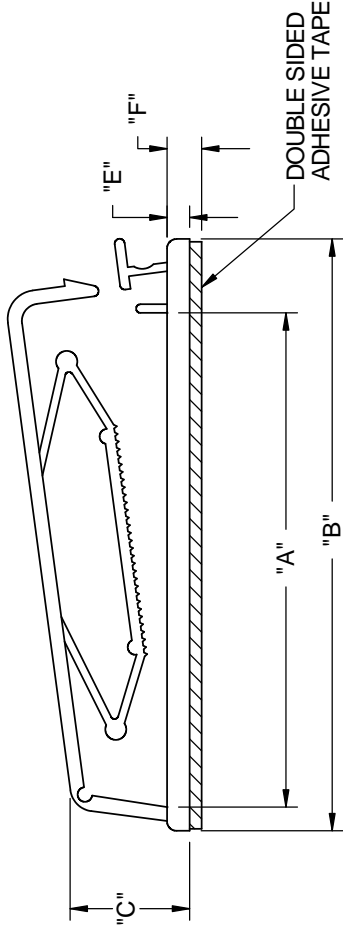
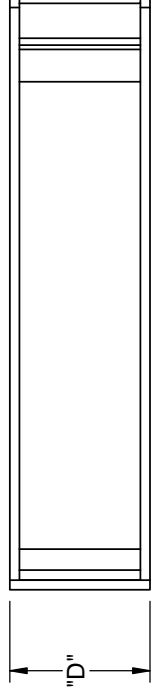
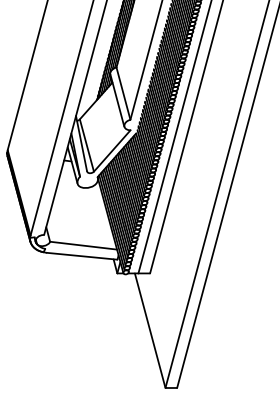




**THE DATASHEET OF
TFCC-30-01**



PART NO.	MAX. NO. OF CONDUCTORS	"A" REF	"B"	"C"	"D"	"E"	"F" REF.	MATERIAL
TFCC-30-01	30	32 [1.26]	45+1.5/-0.5 [1.77]	15.8±0.5 [.62]	18.6+1.2/-0.3 [.73]	3±0.2 [.12]	4.6 [.18]	NYLON 6/6 UL94
TFCC-40-01	40	54 [2.13]	67±1 [2.64]	15.8±1 [.62]	15.8±1 [.62]	3.1±0.2 [.12]	4.7 [.19]	NYLON 6/6 UL94
TFCC-50-01	50	65.2 [2.57]	78.4+1.5/-0.5 [3.09]	18.8+1.2/-0.3 [.74]	18.8+1.2/-0.3 [.74]			NYLON 6/6 UL94



NOTES:
1. PART DESIGNED IN MM, INCH CONVERSION IS FOR REFERENCE ONLY.



TITLE: **TENSION FLAT CABLE CLAMP**

I	SEE CO 200715 FOR CHANGES	SK	10/03/11					
H	SEE CO 200082 FOR CHANGES	SK	12/06/07					
G	SEE CO 200041 FOR CHANGES	SK	09/28/07					
F	REDRAWN, SEE ECN #1043 FOR CHANGES	SK	08/25/05					
-	SEE ENGINEERING FOR REVISIONS A-E	---	---					
REV.	DESCRIPTION	ENGR.	DATE					

CREATED BY'S SOLIDWORKS	FILE #: TFCC	DWN: SK	APP: BR
GENERAL TOLERANCE ±0.25 MM UNLESS OTHERWISE STATED	SHEET: 1 OF 1	DT: 08/25/05	CHKD: RT
	RE: RICHCO, INC.		RICHCO, INC. ENG@RICHCO-INC.COM (773) 539-4060

Looking for pricing, stock, or lifecycle information?

Click below to explore more details on WIN SOURCE:

-  [View TFCC-30-01 on WIN SOURCE](#)
-  [Essentra Components](#) Information

Optimize Your Supply Chain with WIN SOURCE Solutions

-  Global Sourcing Solution
-  Obsolete Management
-  Cost Control Management
-  Shortage Management
-  Alternative Solution
-  Excess Inventory Management