

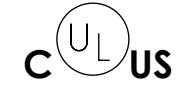


**THE DATASHEET OF
GPCH4/0-1D-L**



NOTES:

- MATERIAL:
BODY - BRONZE (GUN METAL)
SCREW - PHOS. BRONZE (GPCH4/0-1D, GPCH4/0-2D)
STEEL, ZINC PLATED
- PARTS ARE cULus LISTED TO UL467 AS GROUNDING & BONDING EQUIPMENT.
- RATED FOR DIRECT BURIAL (GPCH4/0-1D, GPCH4/0-2D ONLY)
- SEE WWW.PANDUIT.COM FOR PART NUMBER SUFFIX DESIGNATION FOR PACKAGE SIZE.



GPCH4/0-1D
GPCH4/0-2D
ONLY

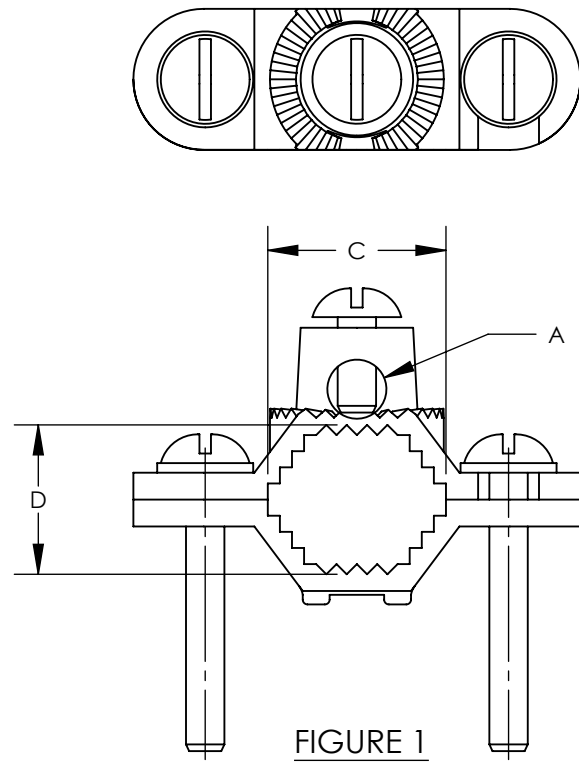


FIGURE 1

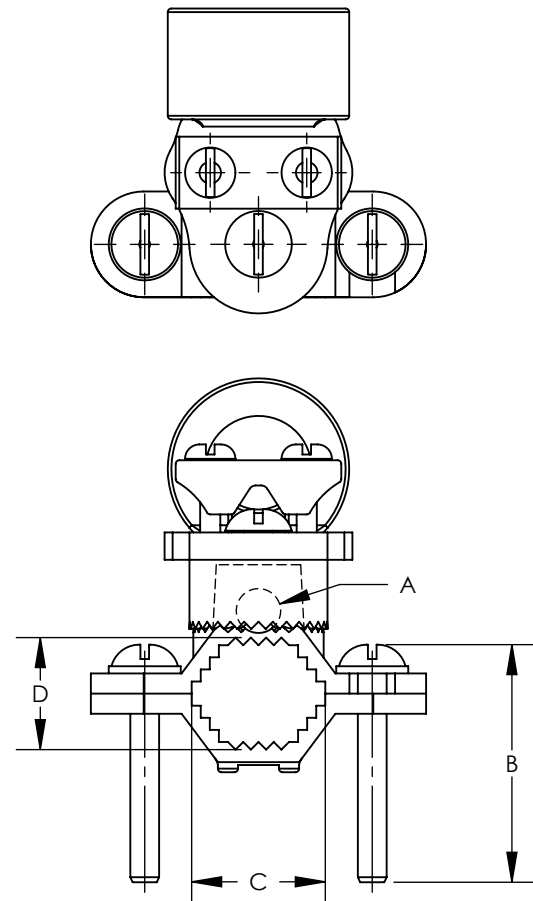


FIGURE 3

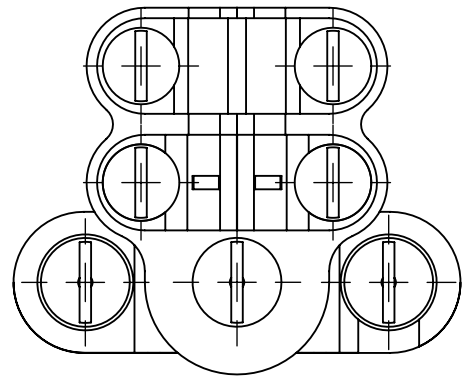
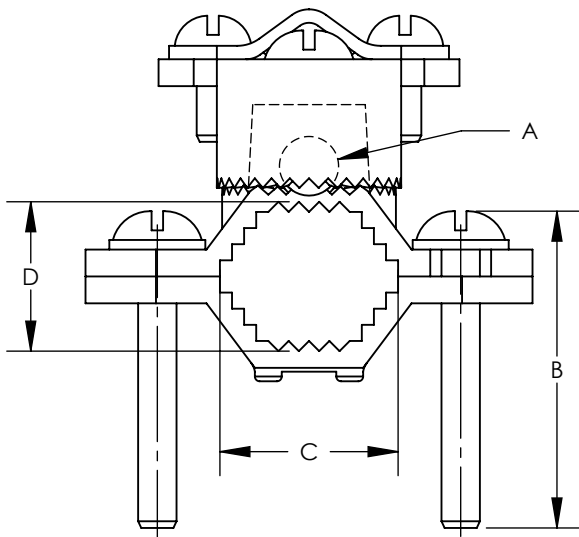


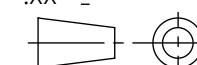
FIGURE 2



PART NUMBER	FIG.	CONDUIT SIZE	DESCRIPTION	WATER PIPE SIZE	GROUNDING WIRE	DIMENSIONS - IN [mm] +/- .05 [1.3]			
						A DIA	B	C	D
GPCH2-1	1	N/A	GROUND CLAMPS BARE WIRE WITH SERRATED HEAD	1/2" - 1"	10 - 2 STR	.33 [8.4]	1.65 [41.9]	.88 [22.4]	.69 [17.5]
GPCH2-2	1	N/A	GROUND CLAMPS BARE WIRE WITH SERRATED HEAD	1-1/4" - 2"	10 - 2 STR	.33 [8.4]	2.22 [56.4]	2.09 [53.1]	1.25 [31.8]
GPCH2-4	1	N/A	GROUND CLAMPS BARE WIRE WITH SERRATED HEAD	2-1/2" - 4"	10 - 2 STR	.33 [8.4]	4.25 [108.0]	4.19 [106.4]	2.59 [65.8]
GPCH2-6	1	N/A	GROUND CLAMPS BARE WIRE WITH SERRATED HEAD	4-1/2" - 6"	10 - 2 STR	.33 [8.4]	5.20 [132.1]	5.94 [150.9]	2.64 [67.1]
GPCH4/0-1	2	N/A	GROUND CLAMPS BARE WIRE WITH SERRATED HEAD & ADAPT HUB	1/2" - 1"	8 - 4/0 STR	.33 [8.4]	1.65 [41.9]	.88 [22.4]	.69 [17.5]
GPCH4/0-2	2	N/A	GROUND CLAMPS BARE WIRE WITH SERRATED HEAD & ADAPT HUB	1-1/4" - 2"	8 - 4/0 STR	.33 [8.4]	2.22 [56.4]	2.09 [53.1]	1.25 [31.8]
GPCH4/0-1D	2	N/A	GROUND CLAMPS BARE WIRE WITH SERRATED HEAD & ADAPT HUB, DB	1/2" - 1"	8 - 4/0 STR	.33 [8.4]	1.65 [41.9]	.88 [22.4]	.69 [17.5]
GPCH4/0-2D	2	N/A	GROUND CLAMPS BARE WIRE WITH SERRATED HEAD & ADAPT HUB, DB	1-1/4" - 2"	8 - 4/0 STR	.33 [8.4]	2.22 [56.4]	2.09 [53.1]	1.25 [31.8]
GPCH4/0-4	2	N/A	GROUND CLAMPS BARE WIRE WITH SERRATED HEAD & ADAPT HUB	2-1/2" - 4"	8 - 4/0 STR	.33 [8.4]	4.25 [108.0]	4.19 [106.4]	2.59 [65.8]
GPCH4/0-6	2	N/A	GROUND CLAMPS BARE WIRE WITH SERRATED HEAD & ADAPT HUB	4-1/2" - 6"	8 - 4/0 STR	.33 [8.4]	5.20 [132.1]	5.94 [150.9]	2.64 [67.1]
GPCH2/0-1-12	3	1/2"	GROUND CLAMP FOR RIGID CONDUIT 360 DEG HUB CONDUIT	1/2" - 1"	10 - 2/0 STR	.33 [8.4]	1.65 [41.9]	.88 [22.4]	.69 [17.5]
GPCH3/0-1-34	3	3/4"	GROUND CLAMP FOR RIGID CONDUIT 360 DEG HUB CONDUIT	1-1/4" - 2"	10 - 3/0 STR	.33 [8.4]	1.65 [41.9]	.88 [22.4]	.69 [17.5]
GPCH3/0-1-1	3	1"	GROUND CLAMP FOR RIGID CONDUIT 360 DEG HUB CONDUIT	1/2" - 1"	10 - 3/0 STR	.33 [8.4]	1.65 [41.9]	.88 [22.4]	.69 [17.5]
GPCH2/0-2-12	3	1/2"	GROUND CLAMP FOR RIGID CONDUIT 360 DEG HUB CONDUIT	1-1/4" - 2"	10 - 3/0 STR	.33 [8.4]	2.22 [56.4]	2.09 [53.1]	1.25 [31.8]
GPCH3/0-2-34	3	3/4"	GROUND CLAMP FOR RIGID CONDUIT 360 DEG HUB CONDUIT	1-1/4" - 2"	10 - 3/0 STR	.33 [8.4]	2.22 [56.4]	2.09 [53.1]	1.25 [31.8]
GPCH3/0-2-1	3	1"	GROUND CLAMP FOR RIGID CONDUIT 360 DEG HUB CONDUIT	1-1/4" - 2"	10 - 3/0 STR	.33 [8.4]	2.22 [56.4]	2.09 [53.1]	1.25 [31.8]
GPCH2/0-4-12	3	1/2"	GROUND CLAMP FOR RIGID CONDUIT 360 DEG HUB CONDUIT	2-1/2" - 4"	10 - 2/0 STR	.33 [8.4]	4.25 [108.0]	4.19 [106.4]	2.59 [65.8]
GPCH3/0-4-34	3	3/4"	GROUND CLAMP FOR RIGID CONDUIT 360 DEG HUB CONDUIT	2-1/2" - 4"	10 - 3/0 STR	.33 [8.4]	4.25 [108.0]	4.19 [106.4]	2.59 [65.8]
GPCH3/0-4-1	3	1"	GROUND CLAMP FOR RIGID CONDUIT 360 DEG HUB CONDUIT	2-1/2" - 4"	10 - 3/0 STR	.33 [8.4]	4.25 [108.0]	4.19 [106.4]	2.59 [65.8]
GPCH2/0-6-12	3	1/2"	GROUND CLAMP FOR RIGID CONDUIT 360 DEG HUB CONDUIT	4-1/2" - 6"	10 - 2/0 STR	.33 [8.4]	5.20 [132.1]	5.94 [150.9]	2.64 [67.1]
GPCH3/0-6-34	3	3/4"	GROUND CLAMP FOR RIGID CONDUIT 360 DEG HUB CONDUIT	4-1/2" - 6"	10 - 3/0 STR	.33 [8.4]	5.20 [132.1]	5.94 [150.9]	2.64 [67.1]
GPCH3/0-6-1	3	1"	GROUND CLAMP FOR RIGID CONDUIT 360 DEG HUB CONDUIT	4-1/2" - 6"	10 - 3/0 STR	.33 [8.4]	5.20 [132.1]	5.94 [150.9]	2.64 [67.1]

REV	DATE	BY	CHK	APR	DESCRIPTION	ECN
00	7/12	JHNU	SRBI	RGB	DRAWING RELEASED	10J018AI-JC

TITLE BRONZE GROUND PIPE CLAMP WITH SWIVEL FOR BARE WIRE CUSTOMER DRAWING	
ITEM REVISION NAME 10J018AI/00	PANDUIT TM
DATASET FILE NAME 10J018AI-JC/00.SLDDRW	
UNLESS OTHERWISE SPECIFIED, DIMENSIONAL TOLERANCES ARE: IN [mm] .X ± .XXX ± .XX ± ANGLES ±	
DRAWING NUMBER 10J018AI-JC	
DRAWN BY JHNU	DATE 7/12
CHK SRBI	SCALE N/A
SHEET 1 OF 1	
SIZE B	



THIRD ANGLE
PROJECTION

Looking for pricing, stock, or lifecycle information?

Click below to explore more details on WIN SOURCE:

 [View GPCH4/0-1D-L on WIN SOURCE](#)

 [Panduit Corp](#) Information

Optimize Your Supply Chain with WIN SOURCE Solutions

-  Global Sourcing Solution
-  Obsolete Management
-  Cost Control Management
-  Shortage Management
-  Alternative Solution
-  Excess Inventory Management