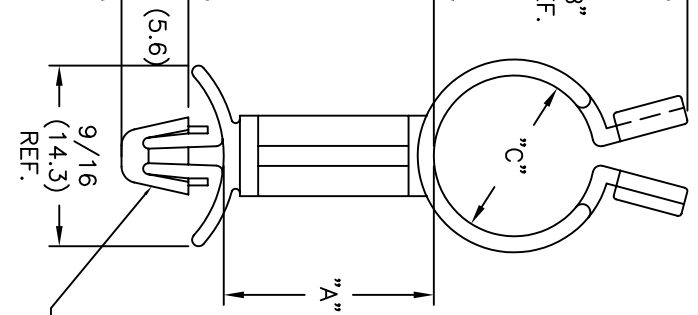
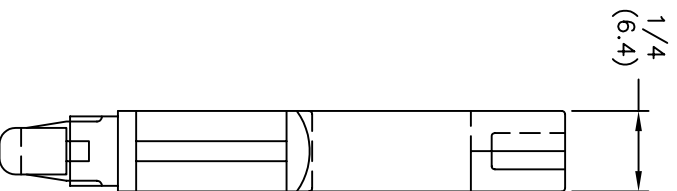




**THE DATASHEET OF
SLCS-500-16-01**



PART NO.	"B"	MAX. BUNDLE "C" LOCKED
SLCS-250	0.53(13.5)	3/16(4.8)
SLCS-370	0.66(16.8)	5/16(7.9)
SLCS-500	0.79(20.1)	7/16(11.1)
SLCS-750	1.04(26.4)	11/16(17.5)



TO SNAP-LOCK IN A .187
 $\pm .003$ (4.75 ± 0.08) DIA.
HOLE, IN A 1/16 (1.6)
NOM. PANEL THKS.

SUFFIX	"A"
-3	3/16(4.8)
-4	1/4(6.4)
-6	3/8(9.5)
-8	1/2(12.7)
-10	5/8(15.9)
*-12	3/4(19.1)
*-14	7/8(22.2)
-16	1.0(25.4)

/6 UL 94 V-2 (RMS-01).

V-0 (RMS-19).

AL ORDER.

V-2, HEAT STABILIZED (RMS-109),
AL ORDER ONLY.

FIX "-109" TO P/N.

*PARTS AVAILABLE BY SPECIAL ORDER ONLY

TITLE: **STANDOFF LOCK CLIP SERIES**

ANGES	SK 02.13.07	TOLERANCES UNLESS NOTED	FILE #	SLCS	DWN: J.B.	APP:	PART #	DWG IN IN (MM)	FINAL	PRINT TYPE
ANGES	SK 01.14.05	.XX \pm .010	MAT'L:	SEE NOTES	DT: 11-30-95	DT:	SEE CHART			CA
ANGES	SM 10.01.04	.XXX \pm .005	RE:	RICHCO, INC.	Po BOX 804238	RICHCO INC.				
ER	SM 05.31.01	FRA \pm 1/64			(773) 539-4060					
	ENGR	DATE								



Looking for pricing, stock, or lifecycle information?

Click below to explore more details on WIN SOURCE:

 [View SLCS-500-16-01](#) on WIN SOURCE

 [Essentra Components](#) Information

Optimize Your Supply Chain with WIN SOURCE Solutions

-  Global Sourcing Solution
-  Obsolete Management
-  Cost Control Management
-  Shortage Management
-  Alternative Solution
-  Excess Inventory Management