



CZT955

**SURFACE MOUNT SILICON  
HIGH CURRENT  
PNP TRANSISTOR**



**SOT-223 CASE**



[www.centrasemi.com](http://www.centrasemi.com)

**DESCRIPTION:**

The CENTRAL SEMICONDUCTOR CZT955 is a silicon high current PNP transistor manufactured by the epitaxial planar process, epoxy molded in a surface mount package, designed for high voltage and high current amplifier applications.

**MARKING: FULL PART NUMBER**

**MAXIMUM RATINGS:** ( $T_A=25^\circ\text{C}$ )

Collector-Base Voltage
Collector-Emitter Voltage
Emitter-Base Voltage
Continuous Collector Current
Peak Collector Current
Power Dissipation (Note 1)
Operating and Storage Junction Temperature
Thermal Resistance

**SYMBOL**

$V_{CB0}$	180
$V_{CEO}$	140
$V_{EBO}$	7.0
$I_C$	4.0
$I_{CM}$	10
$P_D$	3.0
$T_J, T_{stg}$	-65 to +150
$\theta_{JA}$	41.7

**UNITS**

V
V
V
A
A
W
$^\circ\text{C}$
$^\circ\text{C/W}$

Note 1: FR-4 Epoxy PC Board with copper mounting pad area of  $4\text{in}^2$  (minimum).

**ELECTRICAL CHARACTERISTICS:** ( $T_A=25^\circ\text{C}$  unless otherwise noted)

SYMBOL	TEST CONDITIONS	MIN	TYP	MAX	UNITS
$I_{CBO}$	$V_{CB}=150\text{V}$			20	nA
$I_{CBO}$	$V_{CB}=150\text{V}, T_A=100^\circ\text{C}$			0.5	$\mu\text{A}$
$I_{CER}$	$V_{CE}=150\text{V}, R_{BE}\leq 1.0\text{k}\Omega$			20	nA
$I_{EBO}$	$V_{EB}=6.0\text{V}$			10	nA
$BV_{CBO}$	$I_C=100\mu\text{A}$	180	200		V
$BV_{CER}$	$I_C=1.0\mu\text{A}, R_{BE}\leq 1.0\text{k}\Omega$	180	200		V
$BV_{CEO}$	$I_C=10\text{mA}$	140	160		V
$BV_{EBO}$	$I_E=100\mu\text{A}$	7.0	8.0		V
$V_{CE(SAT)}$	$I_C=100\text{mA}, I_B=5.0\text{mA}$		40	60	mV
$V_{CE(SAT)}$	$I_C=0.5\text{A}, I_B=50\text{mA}$		55	80	mV
$V_{CE(SAT)}$	$I_C=1.0\text{A}, I_B=100\text{mA}$		85	120	mV
$V_{CE(SAT)}$	$I_C=3.0\text{A}, I_B=300\text{mA}$		210	360	mV
$V_{BE(SAT)}$	$I_C=3.0\text{A}, I_B=300\text{mA}$		0.96	1.04	V
$V_{BE(ON)}$	$V_{CE}=5.0\text{V}, I_C=3.0\text{A}$		830	930	mV
$h_{FE}$	$V_{CE}=5.0\text{V}, I_C=10\text{mA}$	100	250		
$h_{FE}$	$V_{CE}=5.0\text{V}, I_C=1.0\text{A}$	100	220	300	
$h_{FE}$	$V_{CE}=5.0\text{V}, I_C=3.0\text{A}$	35			
$h_{FE}$	$V_{CE}=5.0\text{V}, I_C=10\text{A}$		5.0		
$f_T$	$V_{CE}=10\text{V}, I_C=100\text{mA}, f=50\text{MHz}$		200		MHz
$C_{ob}$	$V_{CB}=10\text{V}, I_E=0, f=1.0\text{MHz}$		33		pF
$t_{on}$	$V_{CC}=50\text{V}, I_C=1.0\text{A}, I_{B1}=I_{B2}=0.1\text{A}$		25		ns
$t_{off}$	$V_{CC}=50\text{V}, I_C=1.0\text{A}, I_{B1}=I_{B2}=0.1\text{A}$		410		ns

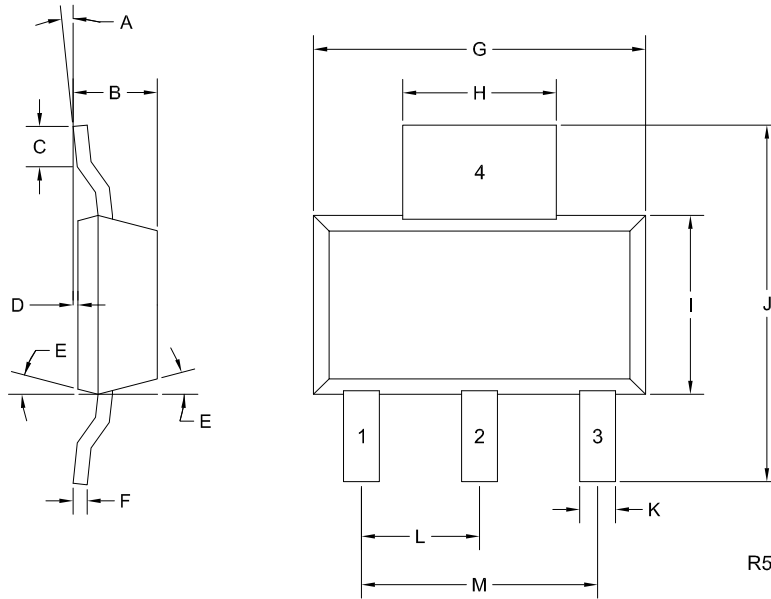
R4 (10-May 2019)

CZT955

**SURFACE MOUNT SILICON  
HIGH CURRENT  
PNP TRANSISTOR**



**SOT-223 CASE - MECHANICAL OUTLINE**



**LEAD CODE:**

- 1) Base
- 2) Collector
- 3) Emitter
- 4) Collector

**MARKING:**

**FULL PART NUMBER**

SYMBOL	INCHES		MILLIMETERS	
	MIN	MAX	MIN	MAX
A	0°	10°	0°	10°
B	0.059	0.071	1.50	1.80
C	0.018	---	0.45	---
D	0.000	0.004	0.00	0.10
E	10°		10°	
F	0.009	0.014	0.23	0.35
G	0.248	0.270	6.30	6.85
H	0.114	0.122	2.90	3.10
I	0.130	0.146	3.30	3.70
J	0.264	0.287	6.70	7.30
K	0.024	0.033	0.60	0.85
L	0.091		2.30	
M	0.181		4.60	

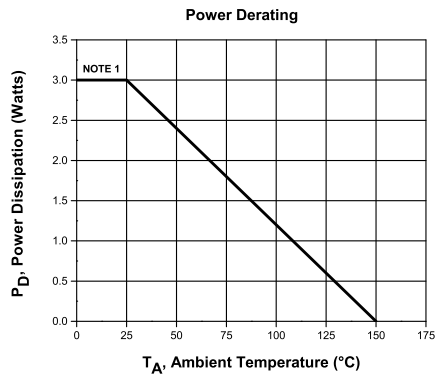
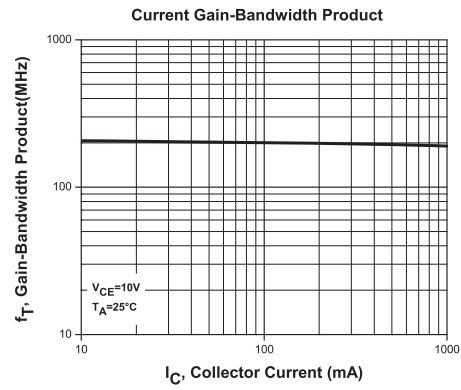
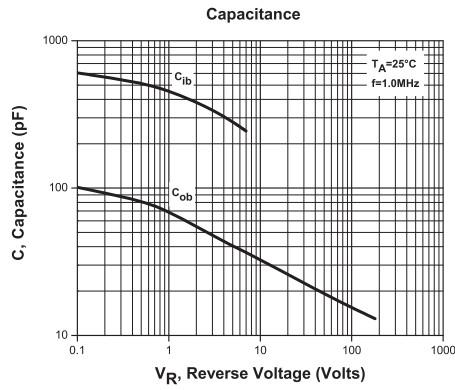
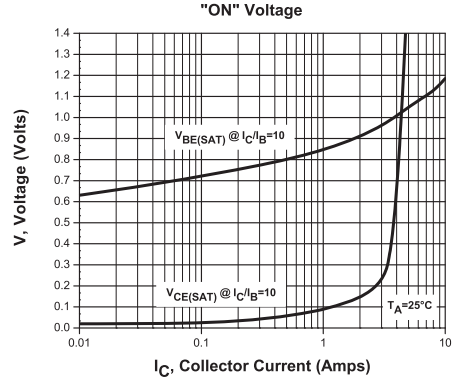
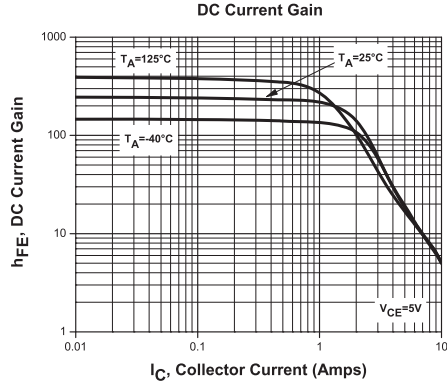
SOT-223 (REV: R5)

R4 (10-May 2019)

**CZT955**  
**SURFACE MOUNT SILICON**  
**HIGH CURRENT**  
**PNP TRANSISTOR**



**TYPICAL ELECTRICAL CHARACTERISTICS**



R4 (10-May 2019)

## OUTSTANDING SUPPORT AND SUPERIOR SERVICES



---

### PRODUCT SUPPORT

Central's operations team provides the highest level of support to insure product is delivered on-time.

- Supply management (Customer portals)
- Inventory bonding
- Consolidated shipping options
- Custom bar coding for shipments
- Custom product packing

---

### DESIGNER SUPPORT/SERVICES

Central's applications engineering team is ready to discuss your design challenges. Just ask.

- Free quick ship samples (2<sup>nd</sup> day air)
- Online technical data and parametric search
- SPICE models
- Custom electrical curves
- Environmental regulation compliance
- Customer specific screening
- Up-screening capabilities
- Special wafer diffusions
- PbSn plating options
- Package details
- Application notes
- Application and design sample kits
- Custom product and package development

---

### REQUESTING PRODUCT PLATING

1. If requesting Tin/Lead plated devices, add the suffix "TIN/LEAD" to the part number when ordering (example: 2N2222A TIN/LEAD).
2. If requesting Lead (Pb) Free plated devices, add the suffix "PBFREE" to the part number when ordering (example: 2N2222A PBFREE).

---

### CONTACT US

#### Corporate Headquarters & Customer Support Team

Central Semiconductor Corp.  
145 Adams Avenue  
Hauppauge, NY 11788 USA  
Main Tel: (631) 435-1110  
Main Fax: (631) 435-1824  
Support Team Fax: (631) 435-3388  
[www.centrasemi.com](http://www.centrasemi.com)

**Worldwide Field Representatives:**  
[www.centrasemi.com/wwreps](http://www.centrasemi.com/wwreps)

**Worldwide Distributors:**  
[www.centrasemi.com/wwdistributors](http://www.centrasemi.com/wwdistributors)

---

For the latest version of Central Semiconductor's **LIMITATIONS AND DAMAGES DISCLAIMER**, which is part of Central's Standard Terms and Conditions of sale, visit: [www.centrasemi.com/terms](http://www.centrasemi.com/terms)

## Looking for pricing, stock, or lifecycle information?

Click below to explore more details on WIN SOURCE:

- [View CZT955 TR on WIN SOURCE](#)
- [Central Semiconductor Corp Information](#)

## Optimize Your Supply Chain with WIN SOURCE Solutions

- ✓ Global Sourcing Solution
- ✓ Obsolete Management
- ✓ Cost Control Management
- ✓ Shortage Management
- ✓ Alternative Solution
- ✓ Excess Inventory Management