



**THE DATASHEET OF
DBV17W2S343H40LF**



REFERENCE SPECIFICATIONS

-NFC 93425 (in compliance with HE 507)

PHYSICAL CHARACTERISTICS

- INSULATOR MATERIAL: THERMOPLASTIC UL94V0
- CONTACT MATERIAL: BRASS(SIGNAL CONTACT)
BRASS (POWERS CONTACT)
- ACCESSORIES: BRASS
- SHELLS: STEEL

ELECTRICAL CHARACTERISTICS

- NOMINAL CURRENT: 7.5A (SIGNAL CONTACT)
30A or 40A (POWER CONTACT)
- CONTACT RESISTANCE: 7.3 m Ohms(SIGNAL and POWER)
- CONTACT/CONTACT : 1000 V
- CONTACT/GROUND : 1200 V
- INSULATION RESISTANCE: 5000 MOhms

- CLIMATIC CATEGORY: 55/125/21

- TEMPERATURE RANGE -55°C TO +125°C
- DAMP HEAT STEADY STATE 21 DAYS
- SALT SPRAY 48 HOURS

- RETENTION AGAINST TORQUE: - Threaded insert: 0.7 N.m minimum
- Female screw : 0.5 N.m minimum

NOTE RoHS INFORMATION

- The "LF" products meet european union Directives and other country regulations as described in GS-22-008.
- The housing will withstand exposure to 260°C peak temperature for 3.5 seconds in a wave solder application with a 1.6mm minimum thick circuit board. See application notes/procedures if they are available.
- Termination plating spec:
 - Signal contacts: Ni + Gold
 - Power contacts: Ni 1.27µm+Sn 2.5 to 7.5µm.pure bright
- Active area plating spec:
 - Signal and power contacts: Ni + Gold
- Shell plating :2 to 4µm Cu + 3 to 10µm Sn,pure bright
- Accessories: Sn pure bright
- Packaging spec: See GS-14-920

DBL13W3S30

Series

Shell size: **E A B C D**
see sheet 2
Front accessory definition
see sheet 2

(blank) :No shell accessory

- L** :Threaded insert M3
- O** :Threaded insert UNC 4-40
- V** :Female screw UNC 4-40
- I** :Female screw UNC M3

Layout of contacts (see sheet 3)

Contacts

S :Socket

Termination type

3 Straight version

Plating

- 00** 200 matings/unmatings
- 43** 500 matings/unmatings

PCB accessories definition
see sheet 2

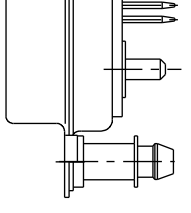
- A** : No PCB accessory
- H** : Harpoons for PCB 2.40mm
- G** : Harpoons for PCB 1.60mm

Power contacts

- 00** :Not fitted with power contact
- 30** :Fitted with power contacts 30 Amp.
- 40** :Fitted with power contacts 40 Amp.

TABLE 1:PCB HOLE DIAMETERS

	POWER CONTACTS	ACCESSORIES	SIGNAL CONTACTS
30 A	2.00	ø3.10	ø0.90 min
40 A	2.80		
Max current power	øA 0 ^{+0.1}	PCB HOLE +/-0.1	PCB HOLE +/-0.1



www.fcj.com

Dr	M PESSON
Eng	P LEGARE
Chr	
Appr	

rev	ecn no	dr	date
H	F09-0092	LSA	2009/09/16
J	F10-0035	LSA	2010/04/14
D	LS07-0165	MPE	2007/06/14
E	LS07-0273	MPE	2007/10/31
F	LS08-0067	MPE	2008/03/10
G	LS09-0027	MPE	2009/01/21

REV 1 - 2009-03-28

2

3

4

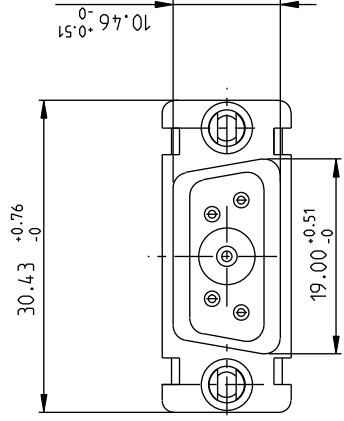
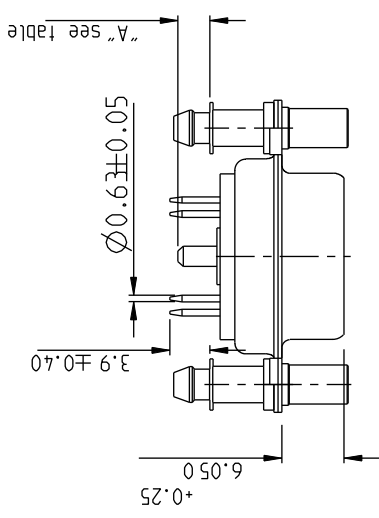
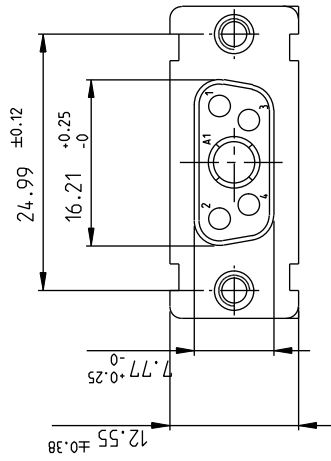
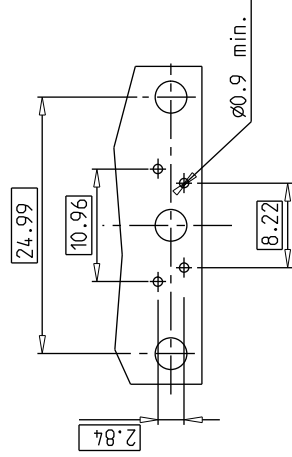
5

6 PDS: Rev :J

5W1

LAYOUT AND CONNECTOR DIMENSIONS

For PCB hole diameters see table 1 sheet 1

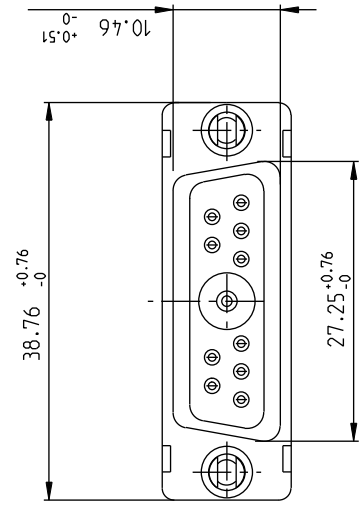
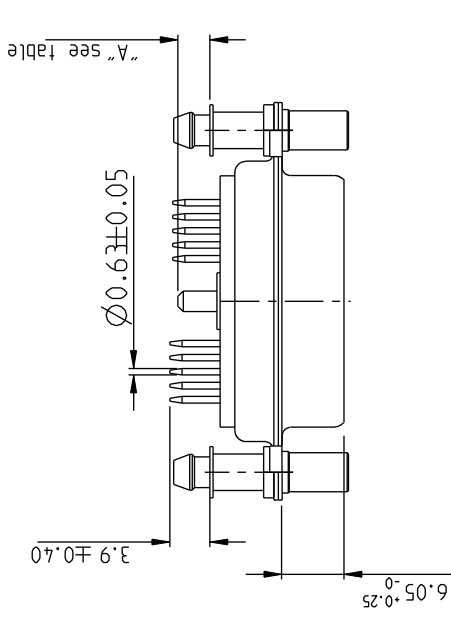
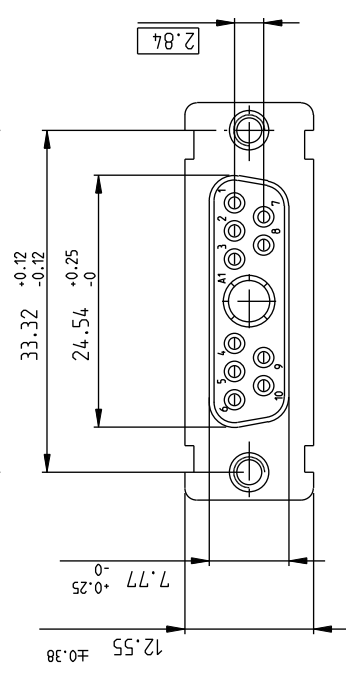
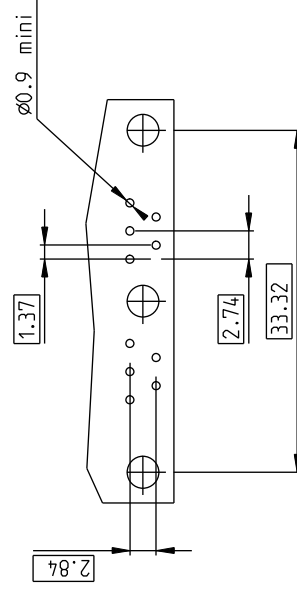


Floating signal contacts

11W1

LAYOUT AND CONNECTOR DIMENSIONS

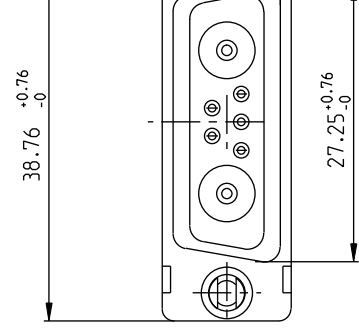
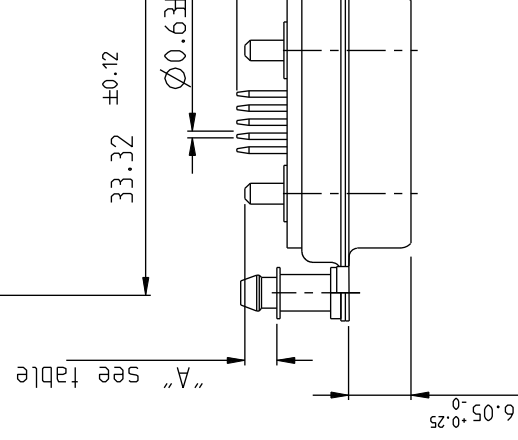
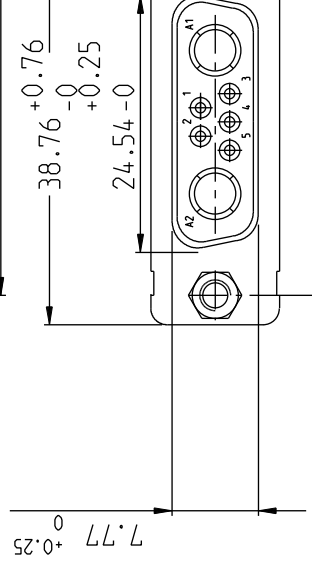
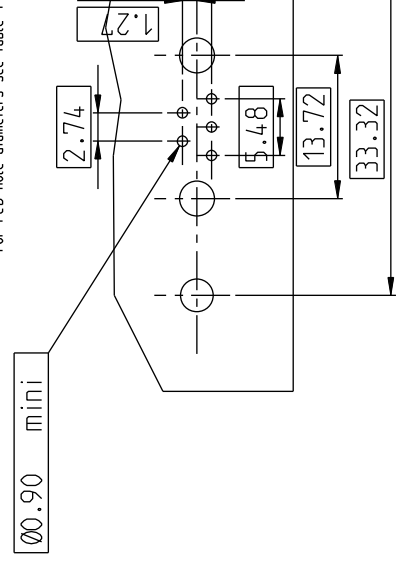
For PCB hole diameters see table 1 sheet 1



7W

LAYOUT AND CONNECTOR DIMENSIONS

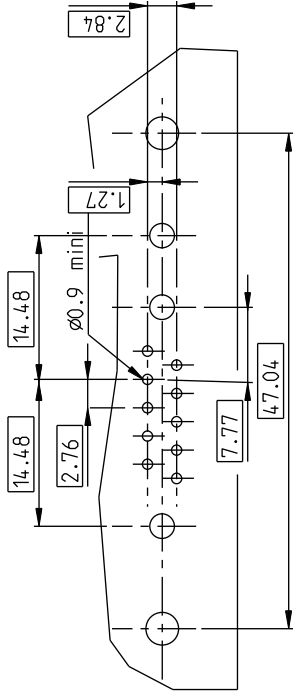
For PCB hole diameters see table 1



13W3

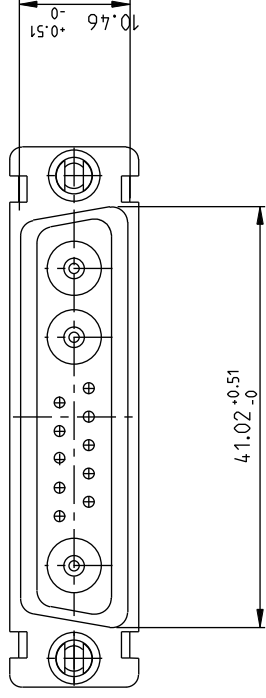
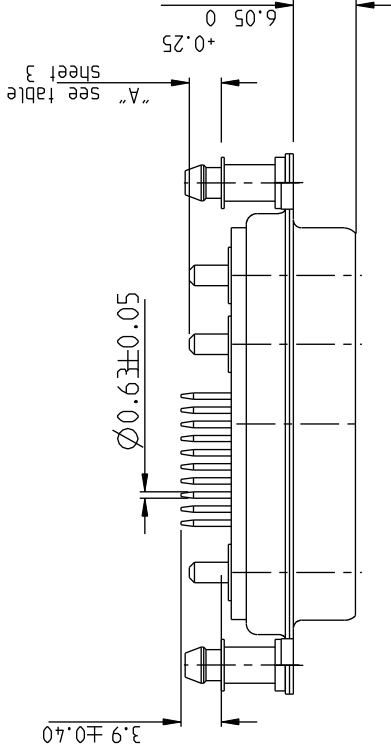
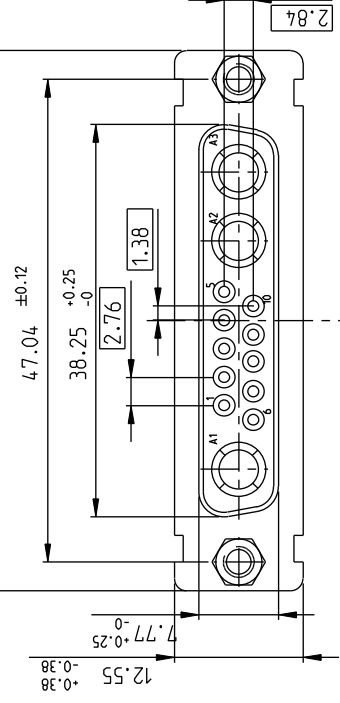
LAYOUT AND CONNECTOR DIMENSIONS

For PCB hole diameters see table 1 sheet 1

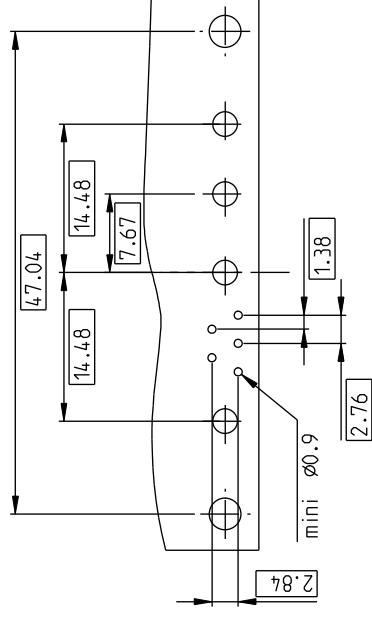


± 0.76

52.650

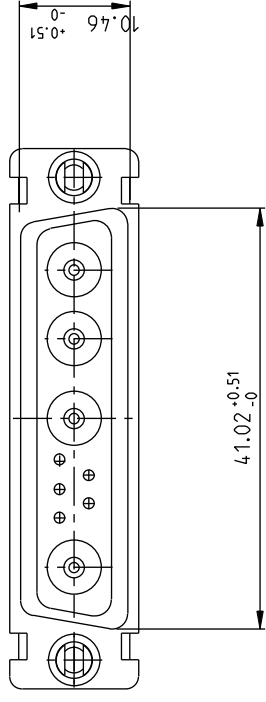
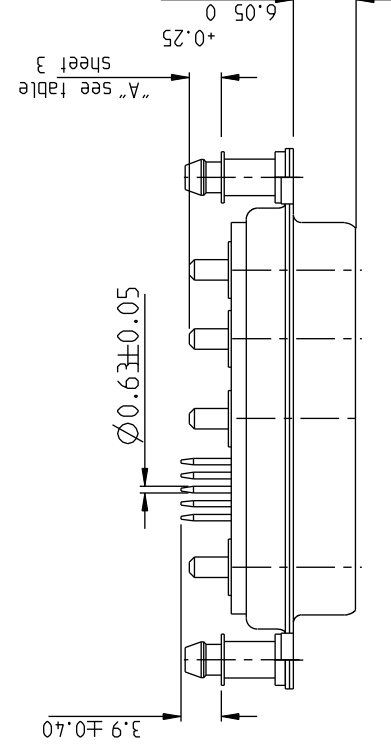
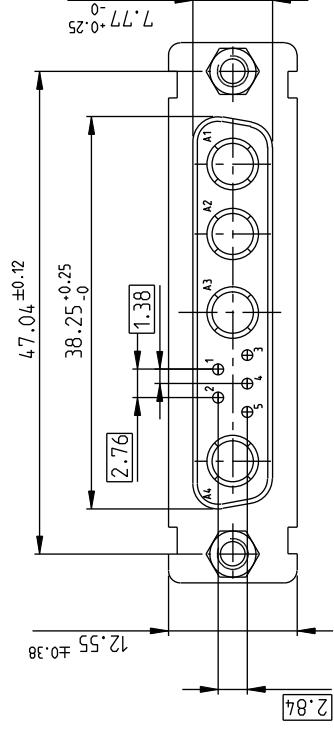


9W4



LAYOUT AND CONNECTOR DIMENSIONS

For PCB hole diameters see table 1 sheet 1



Floating signal contacts

6

5

4

3

2

1

REV. 1 - 2004-03-28

2

3

4

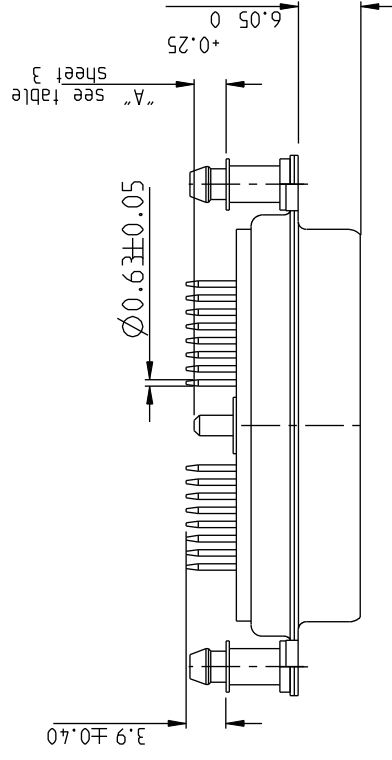
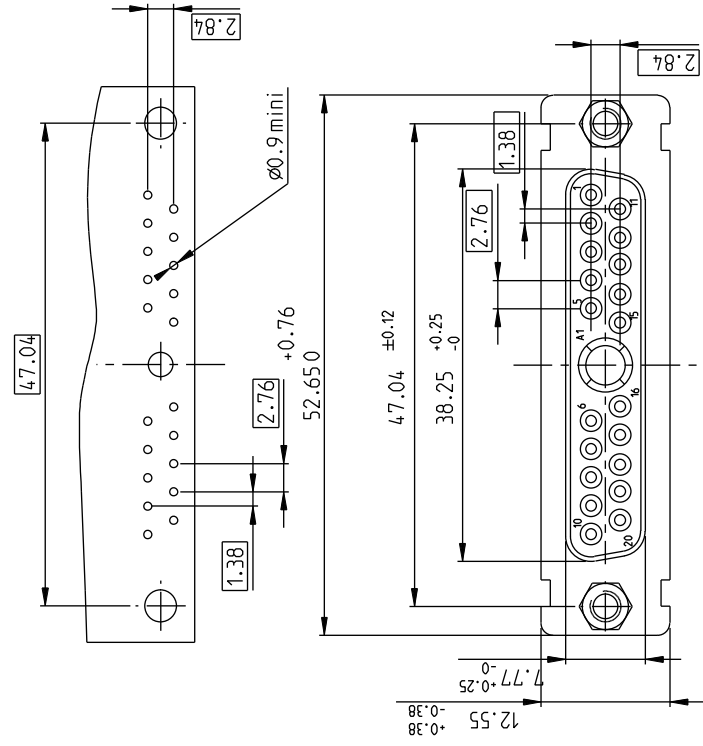
5

6

21W1

LAYOUT AND CONNECTOR DIMENSIONS

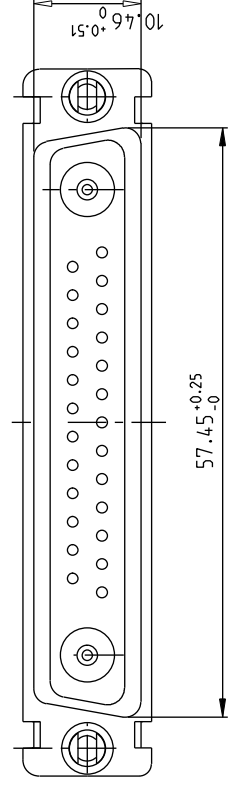
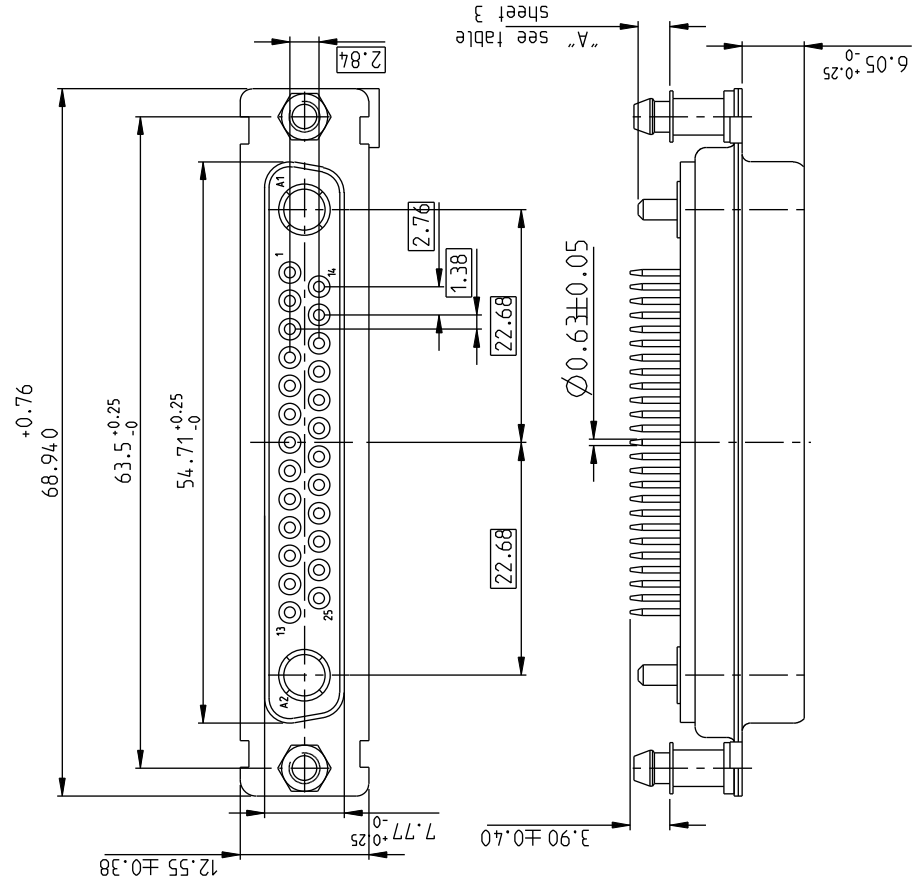
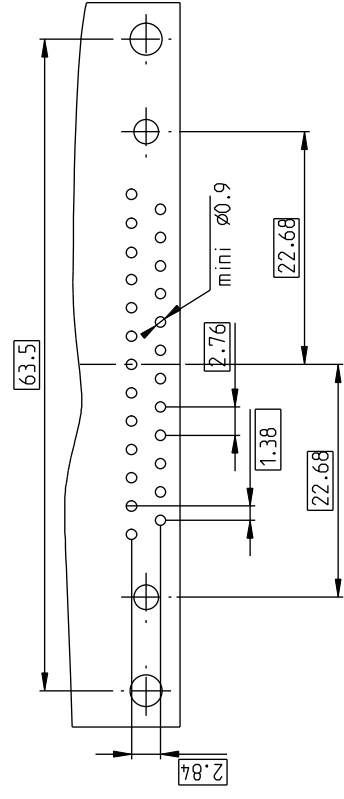
For PCB hole diameters see table 1 sheet 1



27W2

LAYOUT AND CONNECTOR DIMENSIONS

For PCB hole diameters see table 1 sheet 1



Copyright FCI

REV 1 - 2004-03-28

www.fci.com	
Dr	M PESSON
Eng	P LEGARE
Chr	
Appr	
Title	
Scale	

PDS: Rev : J

6

5

4

3

2

1

5

4

3

2

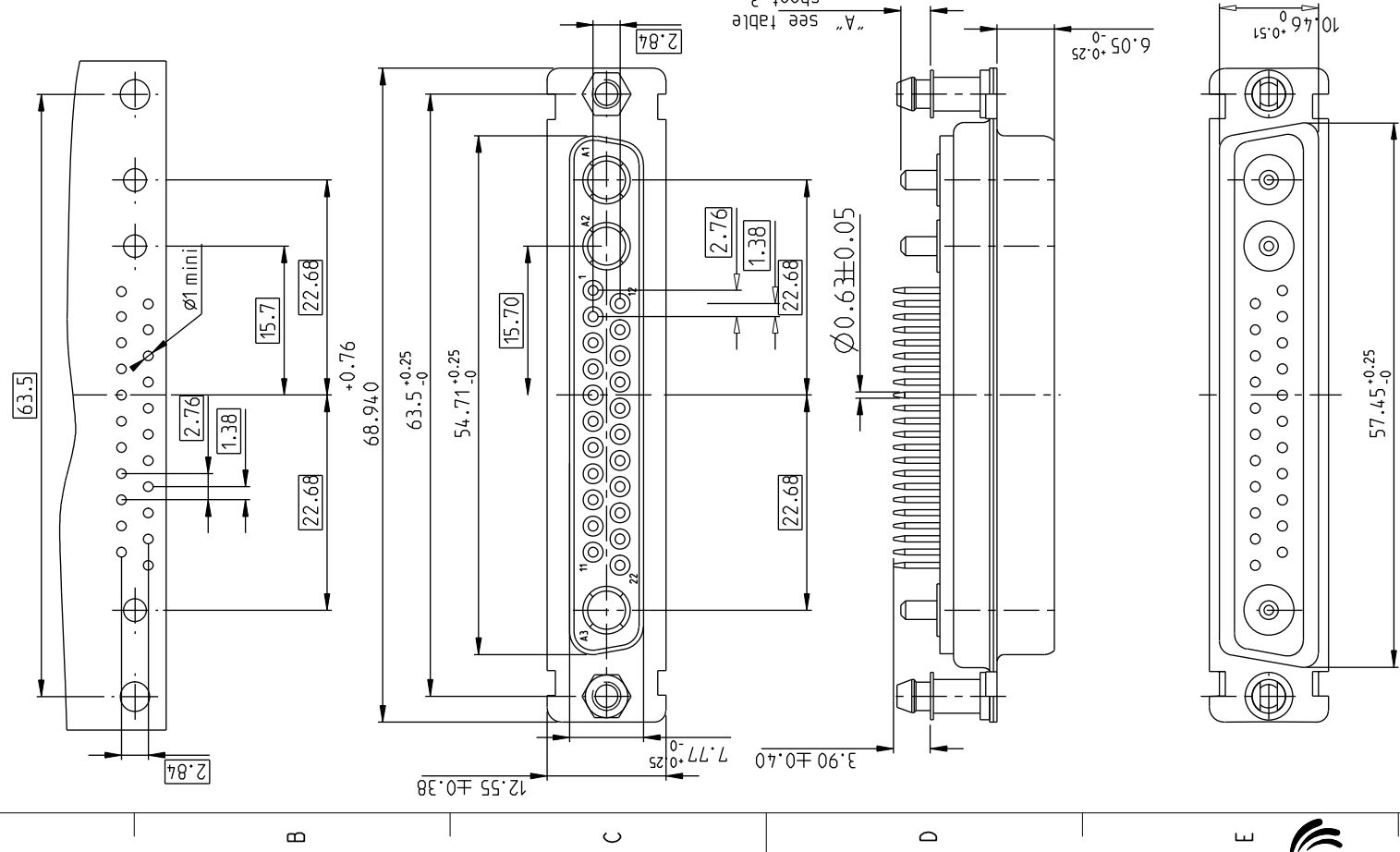
1

LAY

25W3

LAYOUT AND CONNECTOR DIMENSIONS

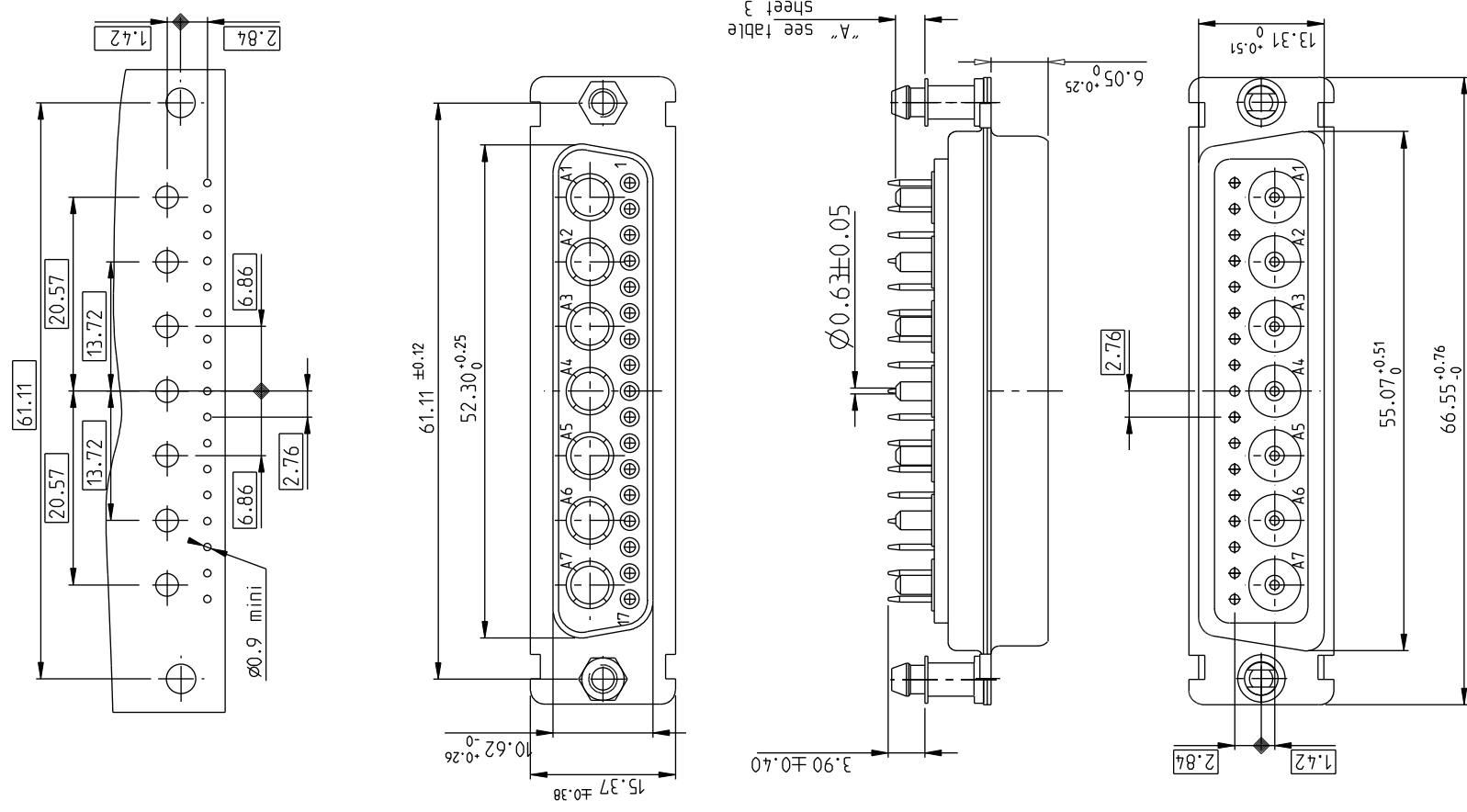
For PCB hole diameters see table 1 sheet 1



24W7

LAYOUT AND CONNECTOR DIMENSIONS

For PCB hole diameters see table 1 sheet 1



Copyright FCI

REV 1 - 2004-03-28

www.fcic.com

Dr M PESSON
Eng P LEGARE
Chr
Appr

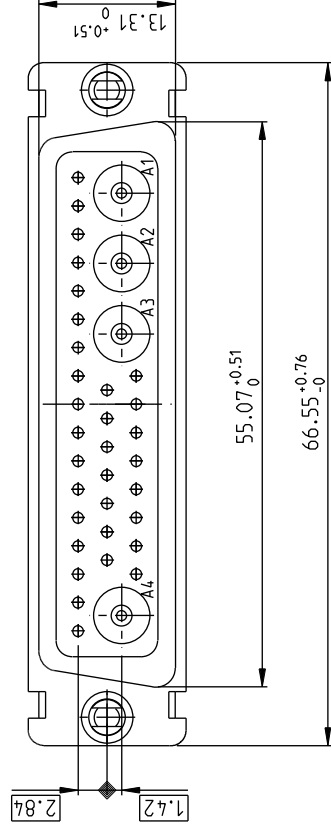
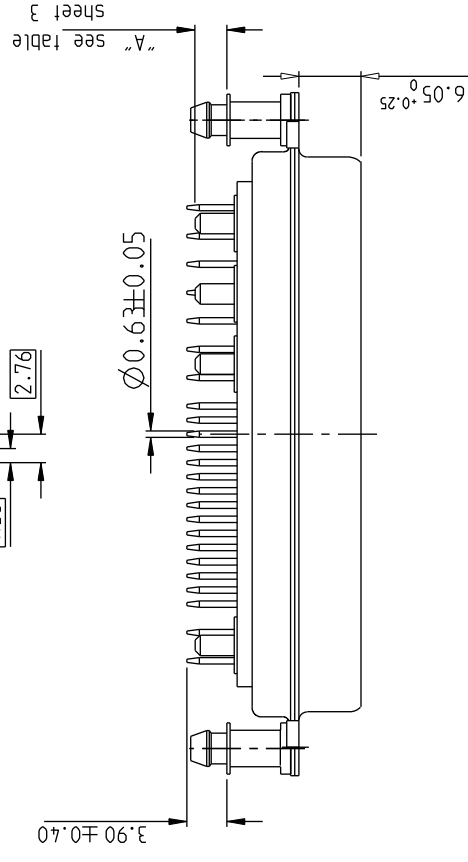
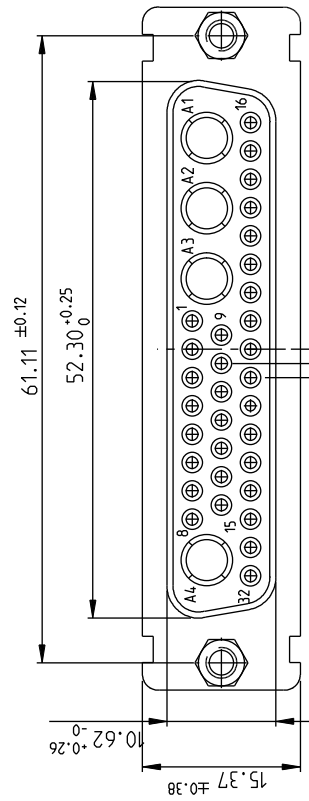
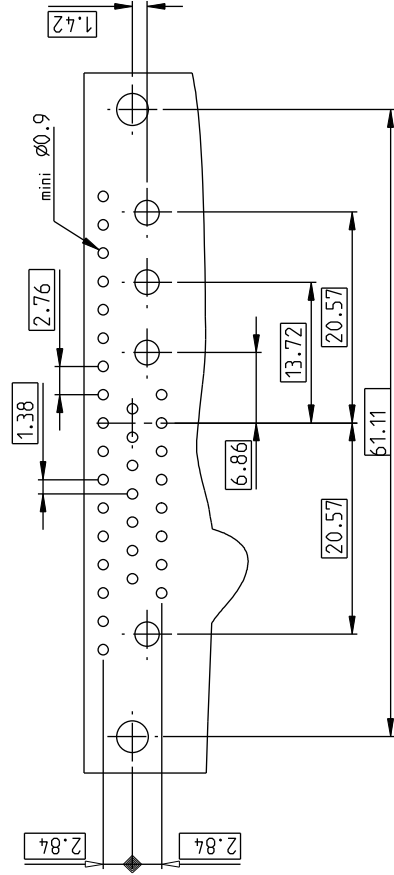


6 PDS: Rev :J

36W4

LAYOUT AND CONNECTOR DIMENSIONS

For PCB hole diameters see table 1 sheet 1

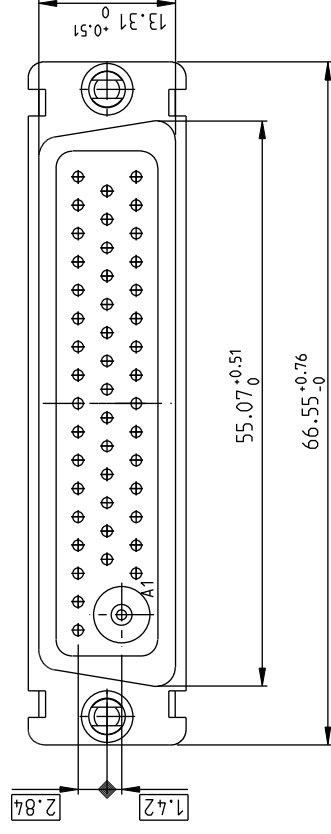
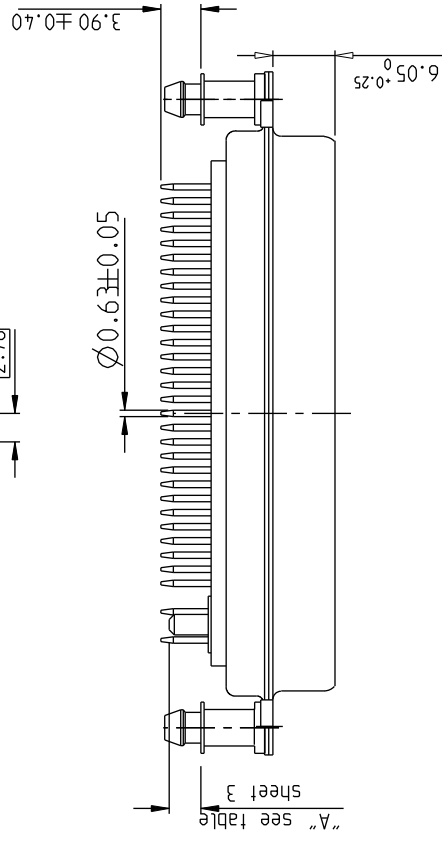
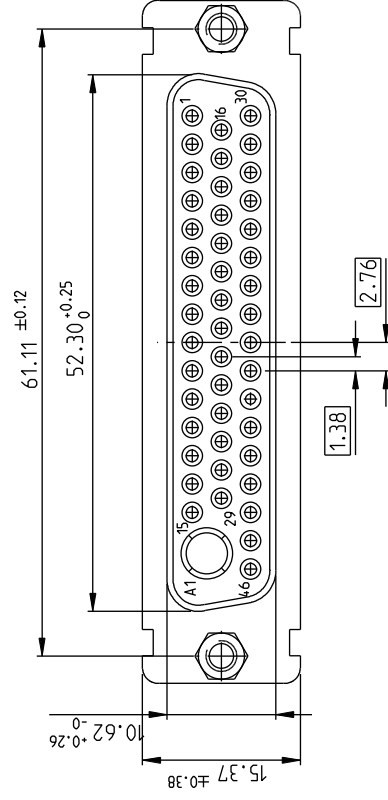
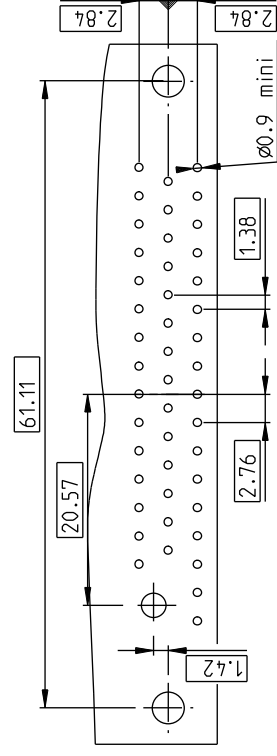


Floating signal contacts

47W1

LAYOUT AND CONNECTOR DIMENSIONS

For PCB hole diameters see table 1 sheet 1



REV. 1 - 2004-03-28



Copyright FCI

2

3

4

5

6

www.fcic.com
Dr. M. PESSON
Eng. P. LEGARE
Chr.
Appr.



PDS: Rev. J

Looking for pricing, stock, or lifecycle information?

Click below to explore more details on WIN SOURCE:

[View DBV17W2S343H40LF on WIN SOURCE](#)

[Amphenol FCI Information](#)

Optimize Your Supply Chain with WIN SOURCE Solutions

- ✓ Global Sourcing Solution
- ✓ Obsolete Management
- ✓ Cost Control Management
- ✓ Shortage Management
- ✓ Alternative Solution
- ✓ Excess Inventory Management